



US00D699051S

(12) **United States Design Patent**  
**Wills**

(10) **Patent No.:** **US D699,051 S**  
(45) **Date of Patent:** **\*\* Feb. 11, 2014**

(54) **BUSHING FOR ROLLER BLIND BRACKET**

(71) Applicant: **Norman Wills**, Mississauga (CA)

(72) Inventor: **Norman Wills**, Mississauga (CA)

(\*\*) Term: **14 Years**

(21) Appl. No.: **29/459,037**

(22) Filed: **Jun. 25, 2013**

(30) **Foreign Application Priority Data**

Apr. 5, 2013 (CA) ..... 150565

(51) **LOC (10) Cl.** ..... **06-10**

(52) **U.S. Cl.**  
USPC ..... **D6/580**

(58) **Field of Classification Search**  
USPC ..... D6/575, 577, 579, 580; D8/349, 368,  
D8/369, 376, 382; 160/84.01-84.08, 107,  
160/108, 111, 113, 130, 133, 176.1 P, 237,  
160/330, DIG. 6, 902; 248/252, 266, 271  
See application file for complete search history.

(56) **References Cited**

**U.S. PATENT DOCUMENTS**

D308,011 S \* 5/1990 Norris ..... D8/356  
D340,638 S \* 10/1993 Campbell ..... D8/374  
D401,798 S \* 12/1998 Simonsen et al. .... D6/580  
D479,080 S \* 9/2003 Damiano ..... D6/580

D505,583 S \* 5/2005 Allsopp ..... D6/580  
D512,256 S \* 12/2005 Allsopp ..... D6/580  
D568,083 S \* 5/2008 Chou ..... D6/580  
D617,594 S \* 6/2010 Di Stefano ..... D6/580  
D628,843 S \* 12/2010 Di Stefano ..... D6/580  
D657,233 S \* 4/2012 Penney et al. .... D8/376  
D679,169 S \* 4/2013 Else ..... D8/349  
D679,170 S \* 4/2013 Else ..... D8/349  
2010/0258253 A1\* 10/2010 Cheng ..... 160/168.1 P

\* cited by examiner

*Primary Examiner* — Karen S Acker

(74) *Attorney, Agent, or Firm* — Laurence P. Colton; Smith  
Risley Tempel Santos LLC

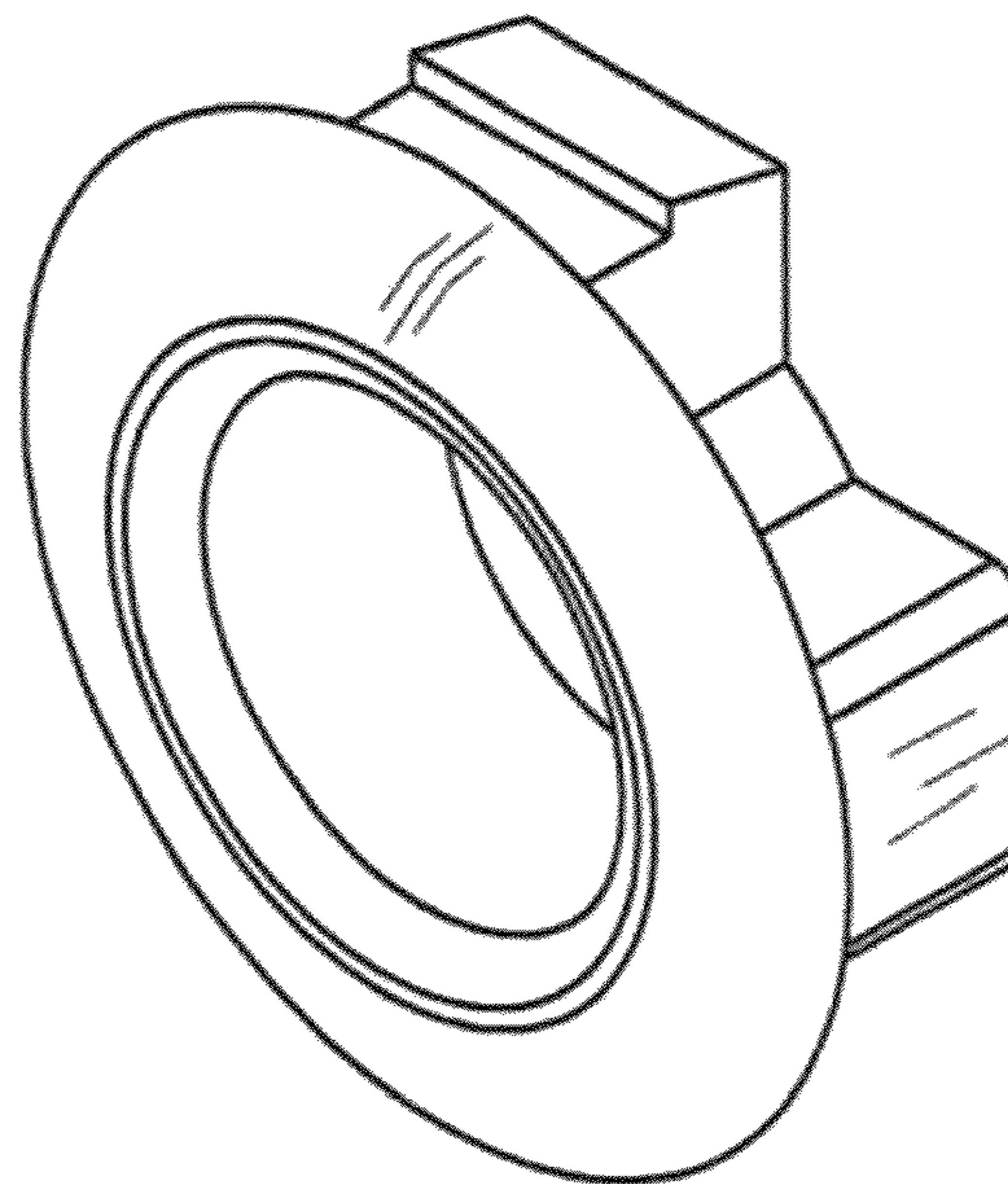
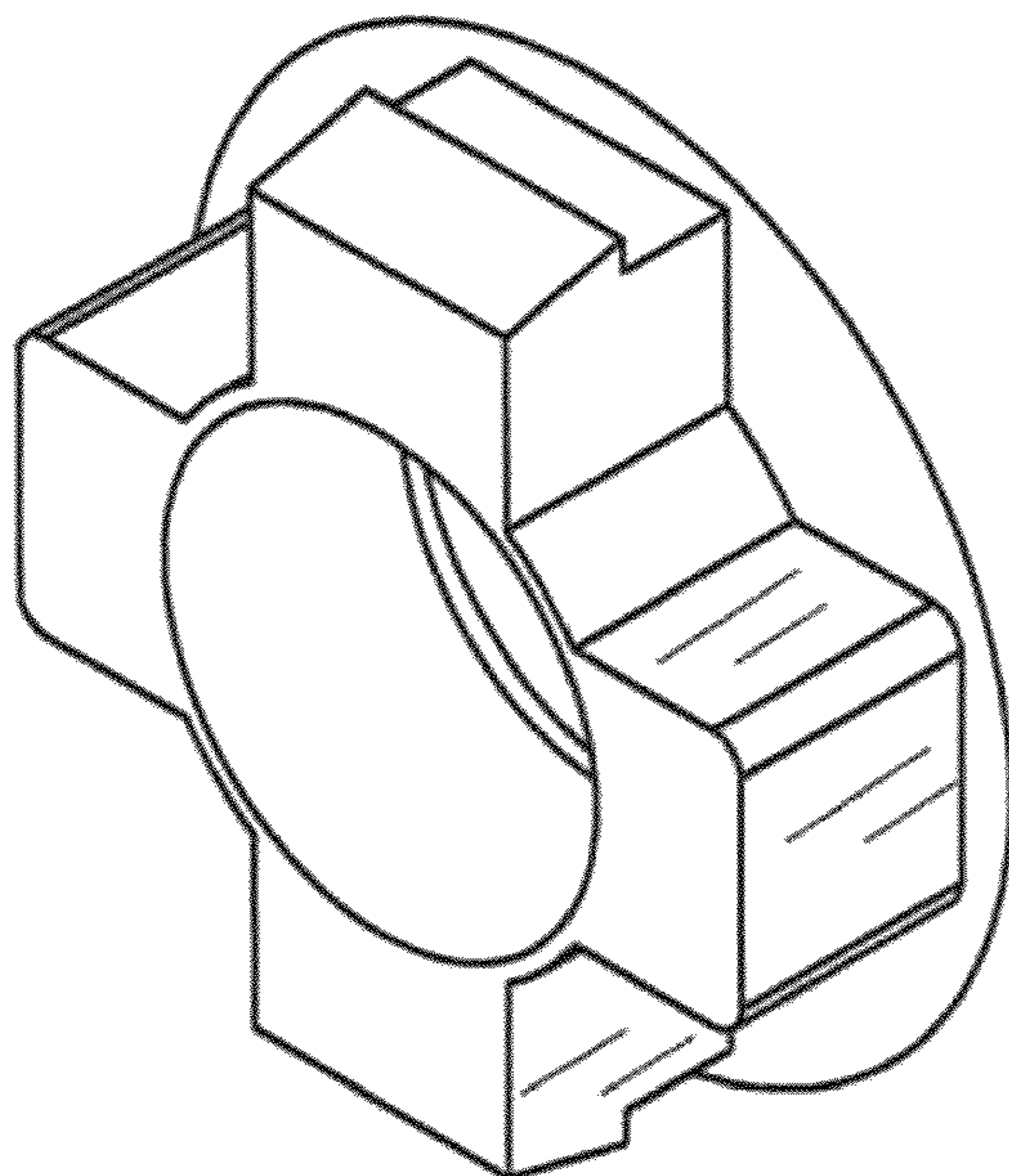
(57) **CLAIM**

The ornamental design for a bushing for roller blind bracket,  
as shown and described.

**DESCRIPTION**

FIG. 1 is an upper front perspective view of the bushing for  
roller blind bracket;  
FIG. 2 is an upper rear perspective view thereof;  
FIG. 3 is a front elevational view thereof;  
FIG. 4 is a right side view thereof;  
FIG. 5 is a left side view thereof;  
FIG. 6 is a top view thereof;  
FIG. 7 is a bottom view thereof; and,  
FIG. 8 is a rear elevational view thereof.

**1 Claim, 7 Drawing Sheets**



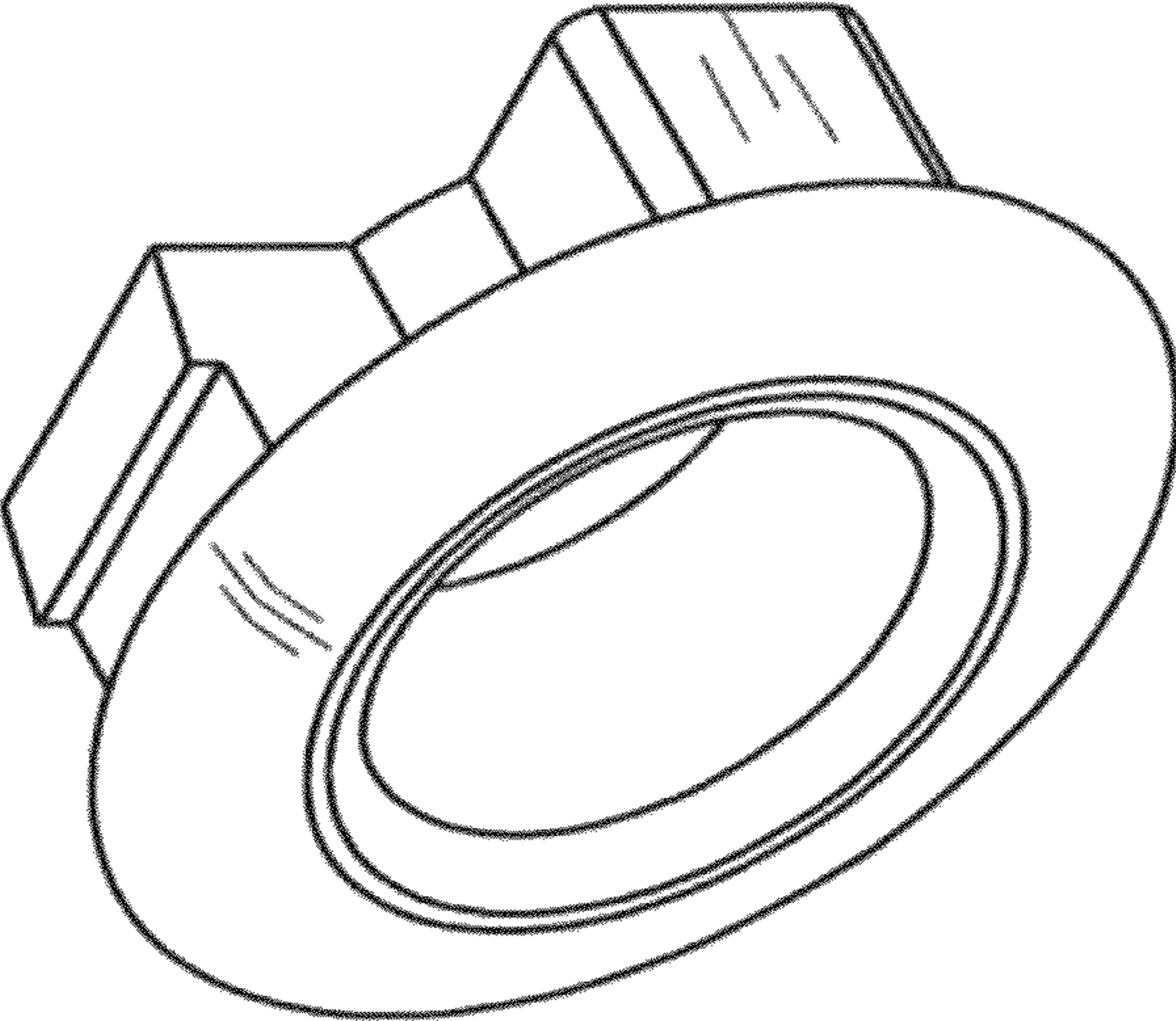


FIG. 1

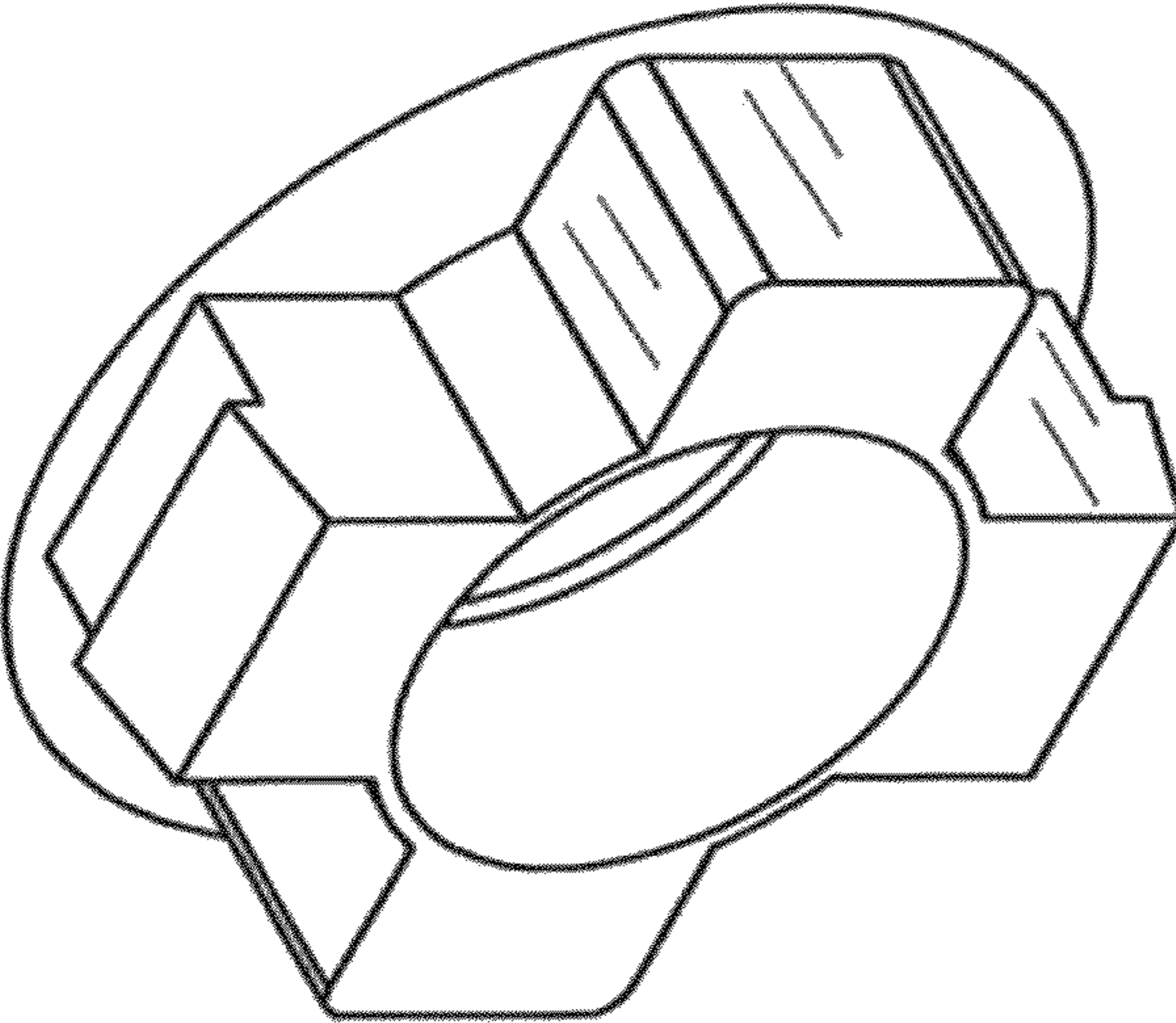


FIG. 2

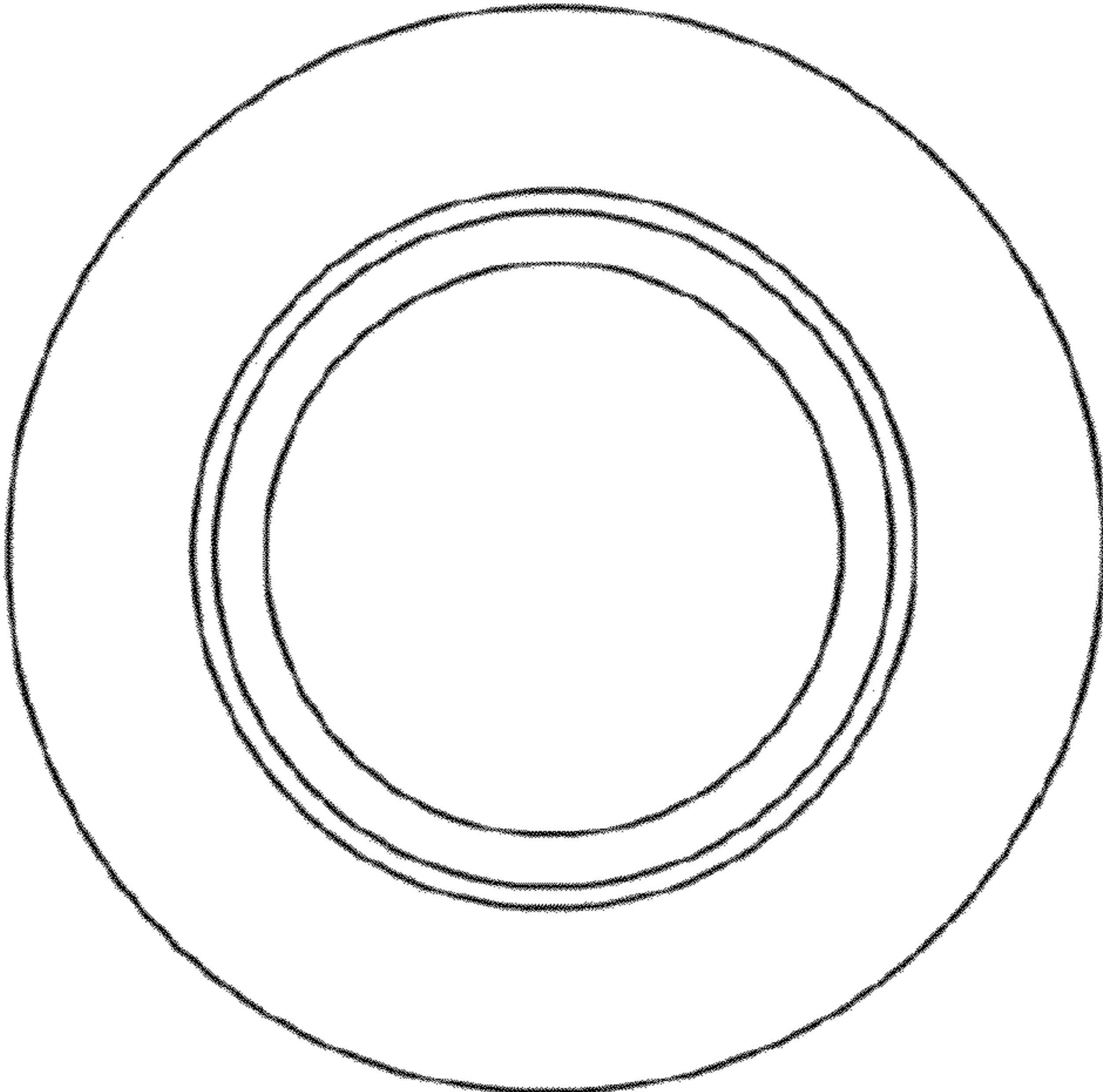


FIG. 3

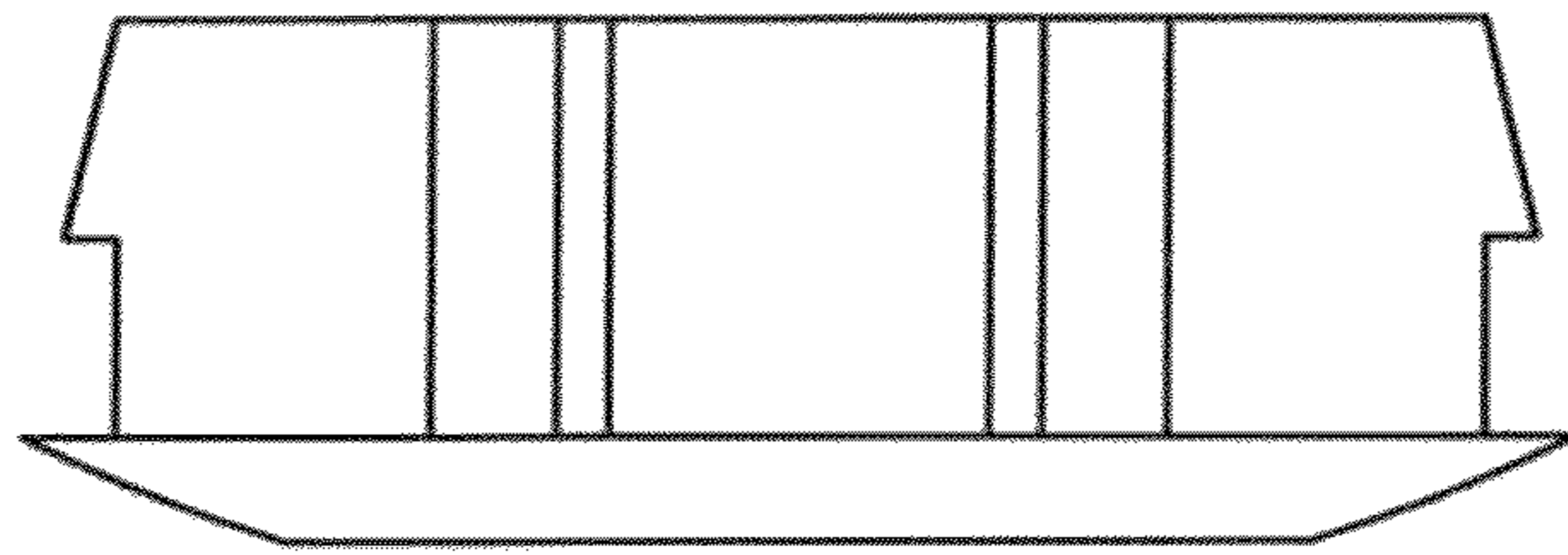


FIG. 4



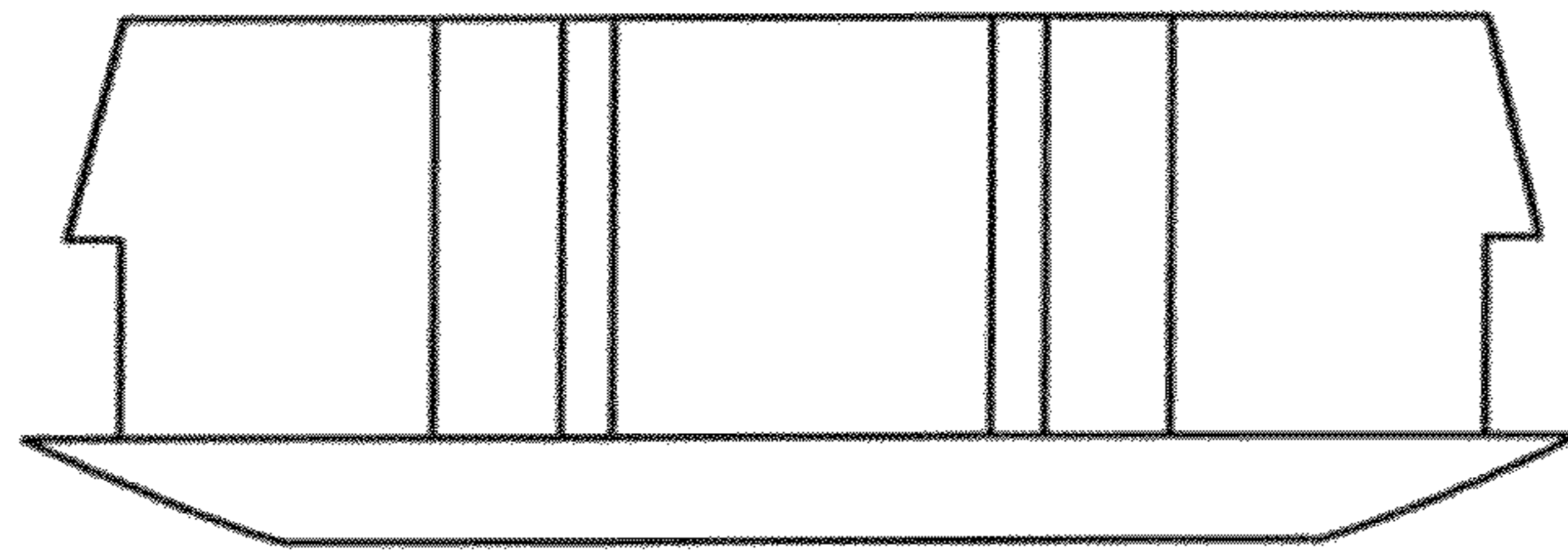


FIG. 5

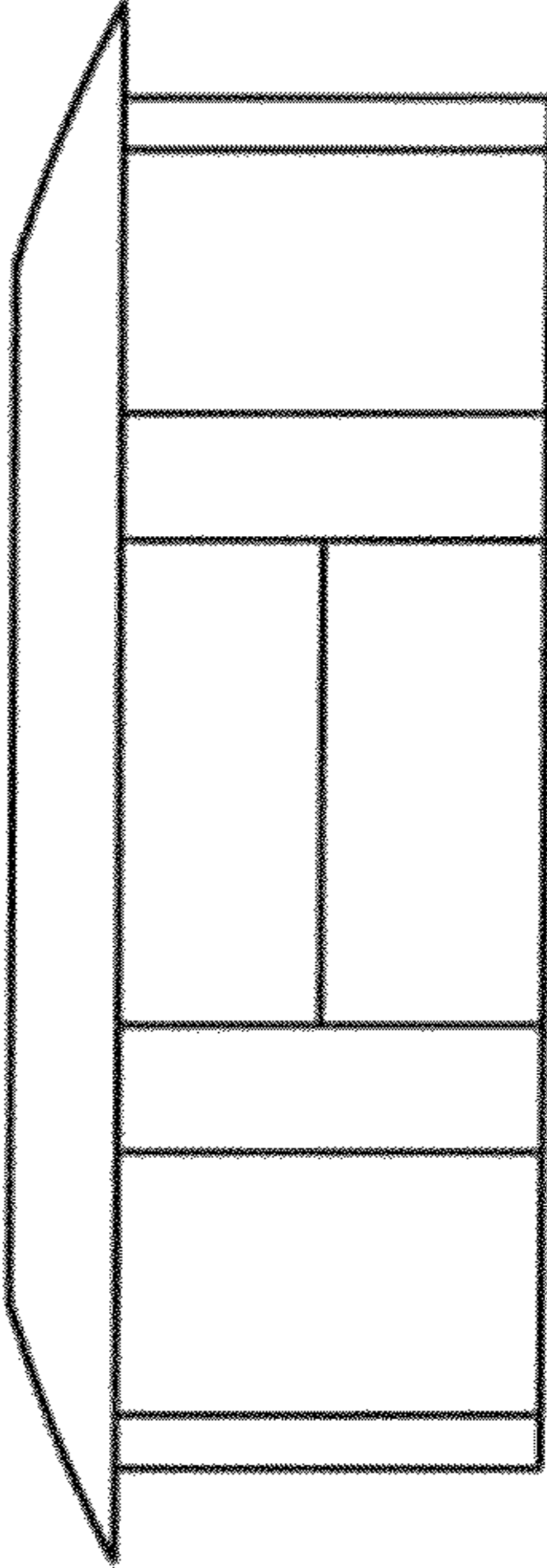


FIG. 6

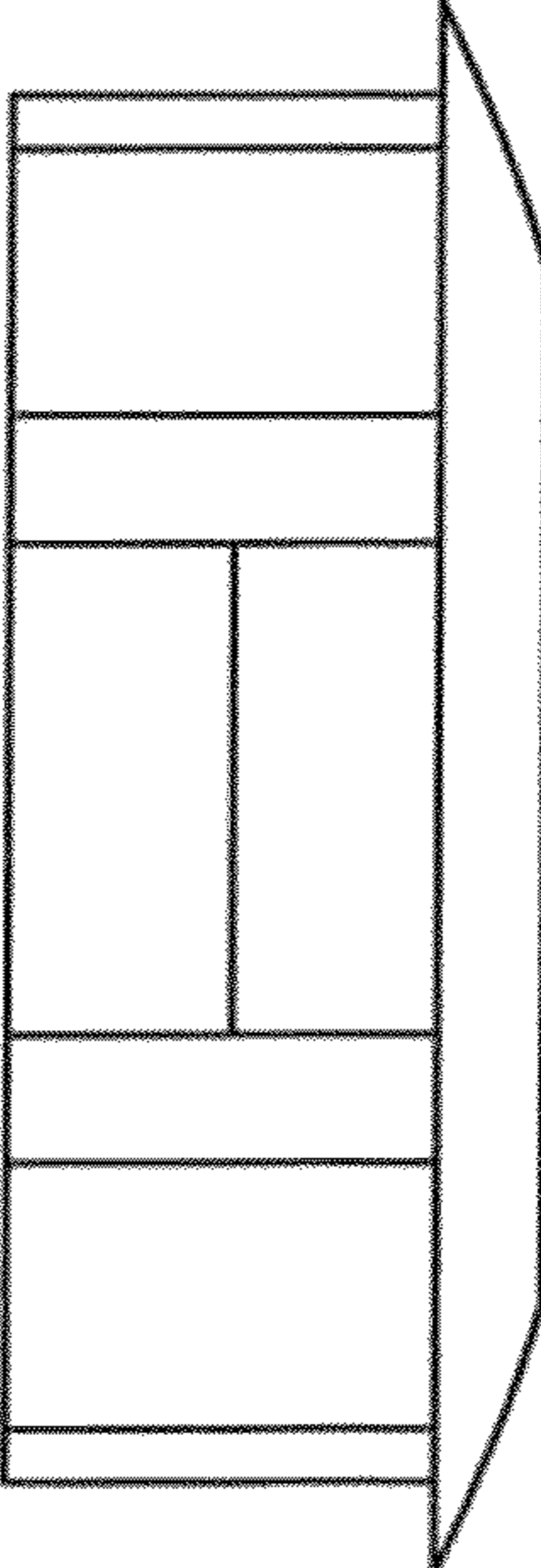


FIG. 7

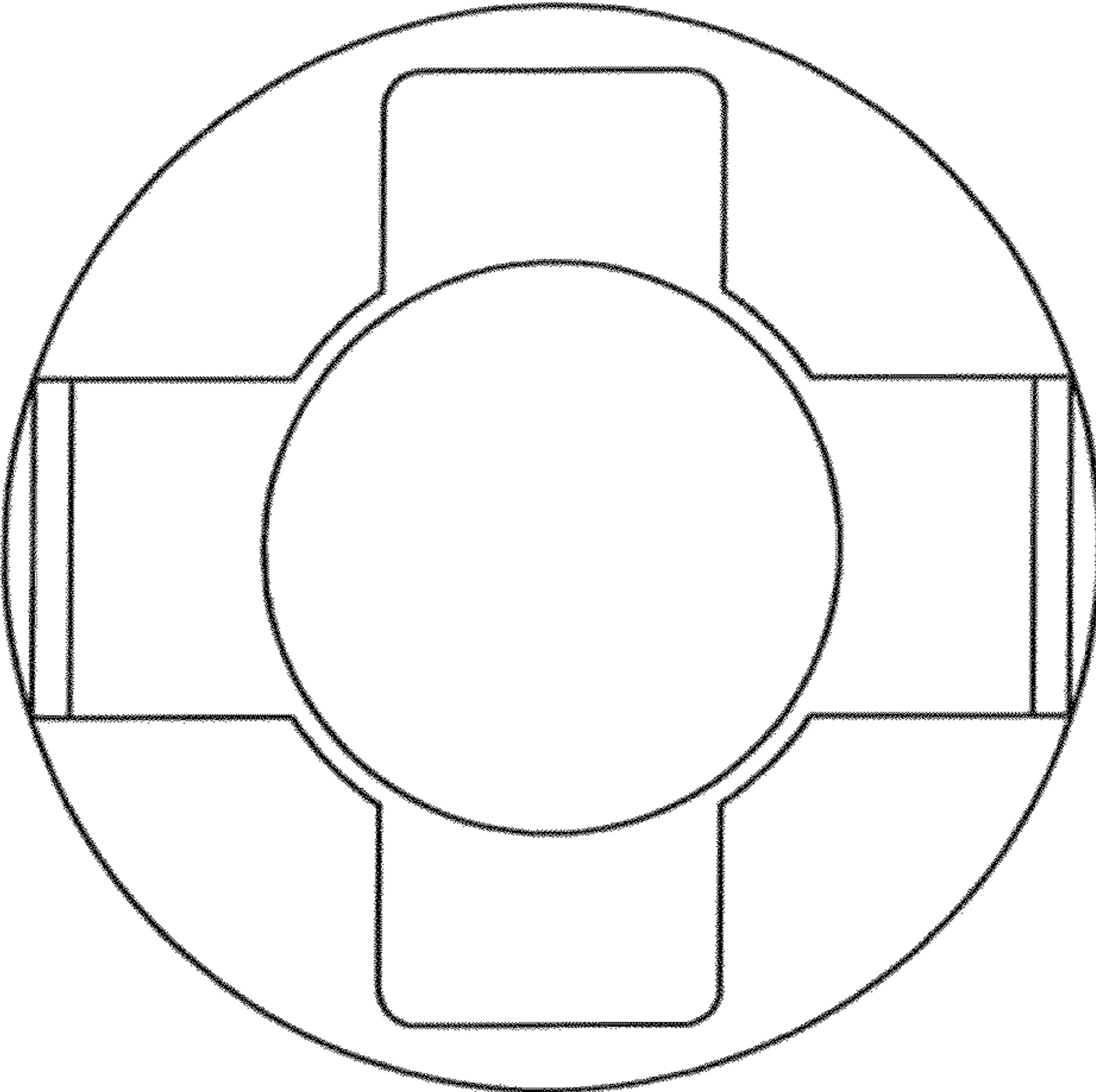


FIG. 8