



US00D699046S

(12) **United States Design Patent**
Goodman

(10) **Patent No.:** **US D699,046 S**
(45) **Date of Patent:** **** Feb. 11, 2014**

(54) **PAPER TOWEL HOLDER**

(71) Applicant: **Spectrum Diversified Designs, Inc.**,
Streetsboro, OH (US)
(72) Inventor: **Sheldon H. Goodman**, Solon, OH (US)
(73) Assignee: **Spectrum Diversified Designs, Inc.**,
Streetsboro, OH (US)

(**) Term: **14 Years**

(21) Appl. No.: **29/446,236**

(22) Filed: **Feb. 21, 2013**

(51) **LOC (10) Cl.** **20-02**

(52) **U.S. Cl.**
USPC **D6/521**

(58) **Field of Classification Search**
USPC D6/518-523; 206/389, 391; 211/13.1,
211/59.1, 45, 890.1; 242/570, 590, 597.7;
248/309.1, 309.2

See application file for complete search history.

(56) **References Cited**

U.S. PATENT DOCUMENTS

D474,634 S *	5/2003	Ancona	D6/522
D576,825 S *	9/2008	Goodman et al.	D6/521
D631,271 S *	1/2011	Goodman et al.	D6/521
D653,889 S *	2/2012	Guindi	D6/521

* cited by examiner

Primary Examiner — Brian N Vinson

(74) *Attorney, Agent, or Firm* — Pearne & Gordon LLP

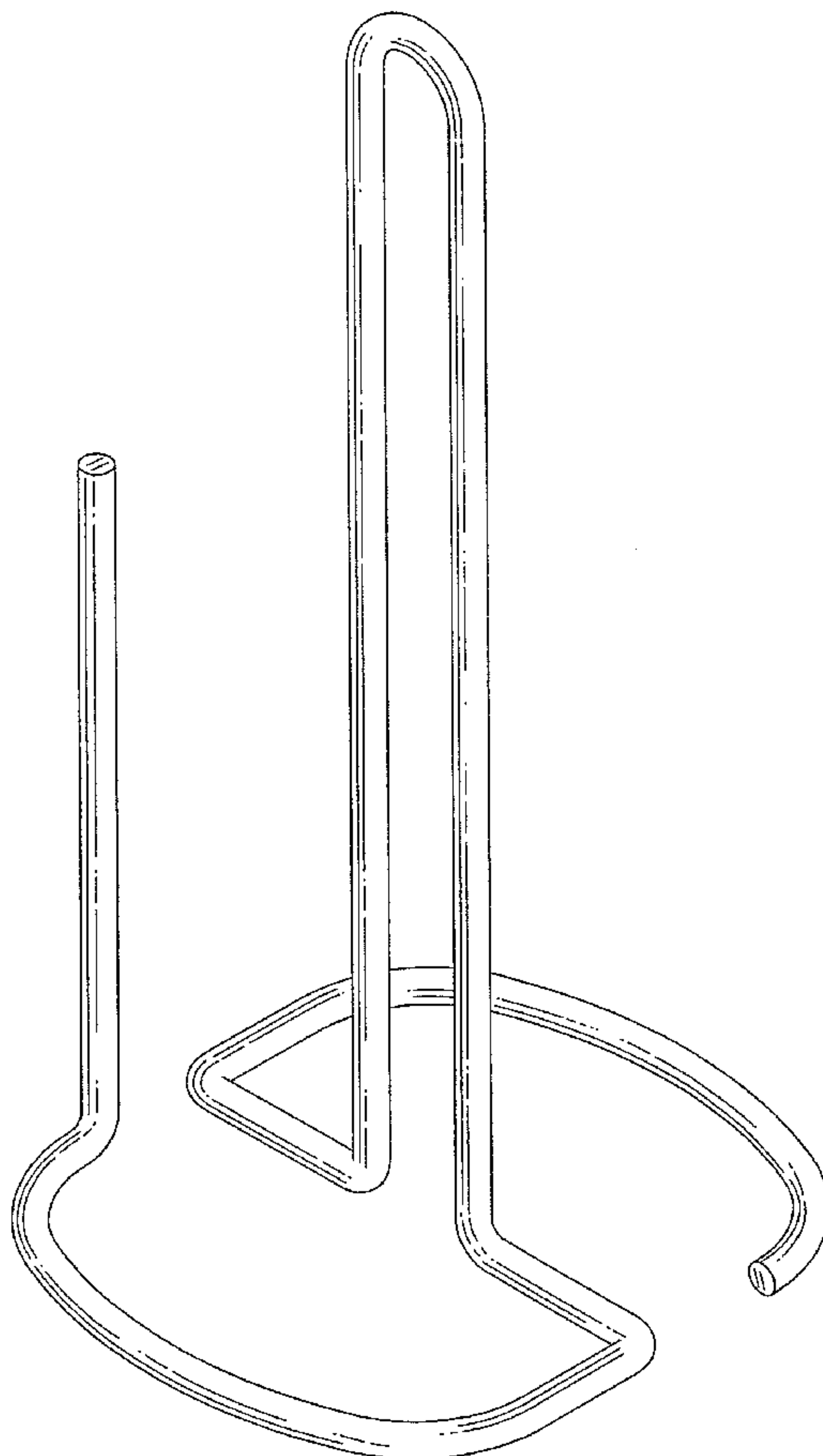
(57) **CLAIM**

The ornamental design for a paper towel holder, as shown and described.

DESCRIPTION

FIG. 1 is a front-right perspective view of a paper towel holder showing my new design;
FIG. 2 is a front view thereof;
FIG. 3 is a right side view thereof;
FIG. 4 is a rear view thereof;
FIG. 5 is a left side view thereof;
FIG. 6 is a top view thereof; and,
FIG. 7 is a bottom view thereof.

1 Claim, 3 Drawing Sheets



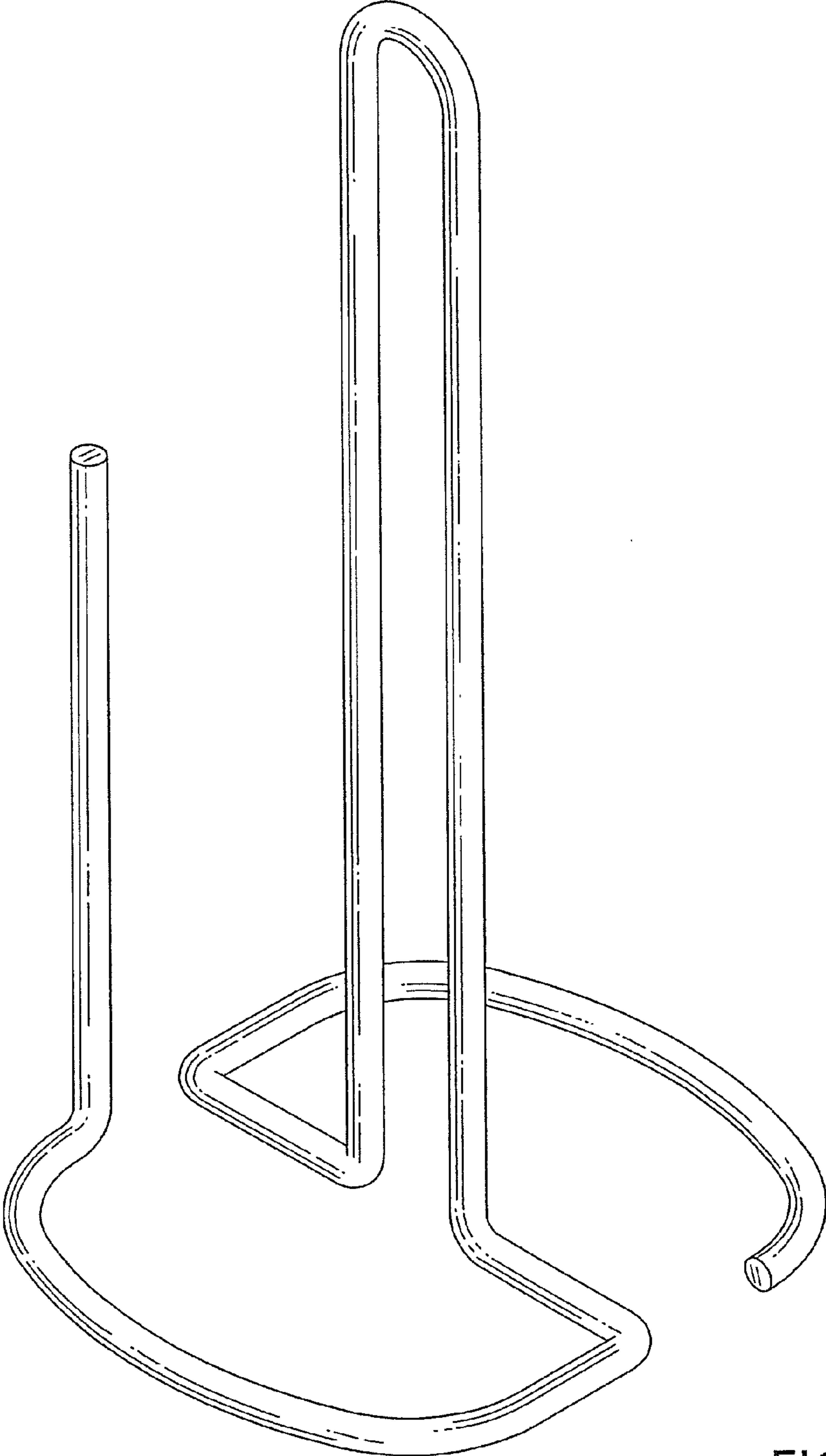


FIG 1

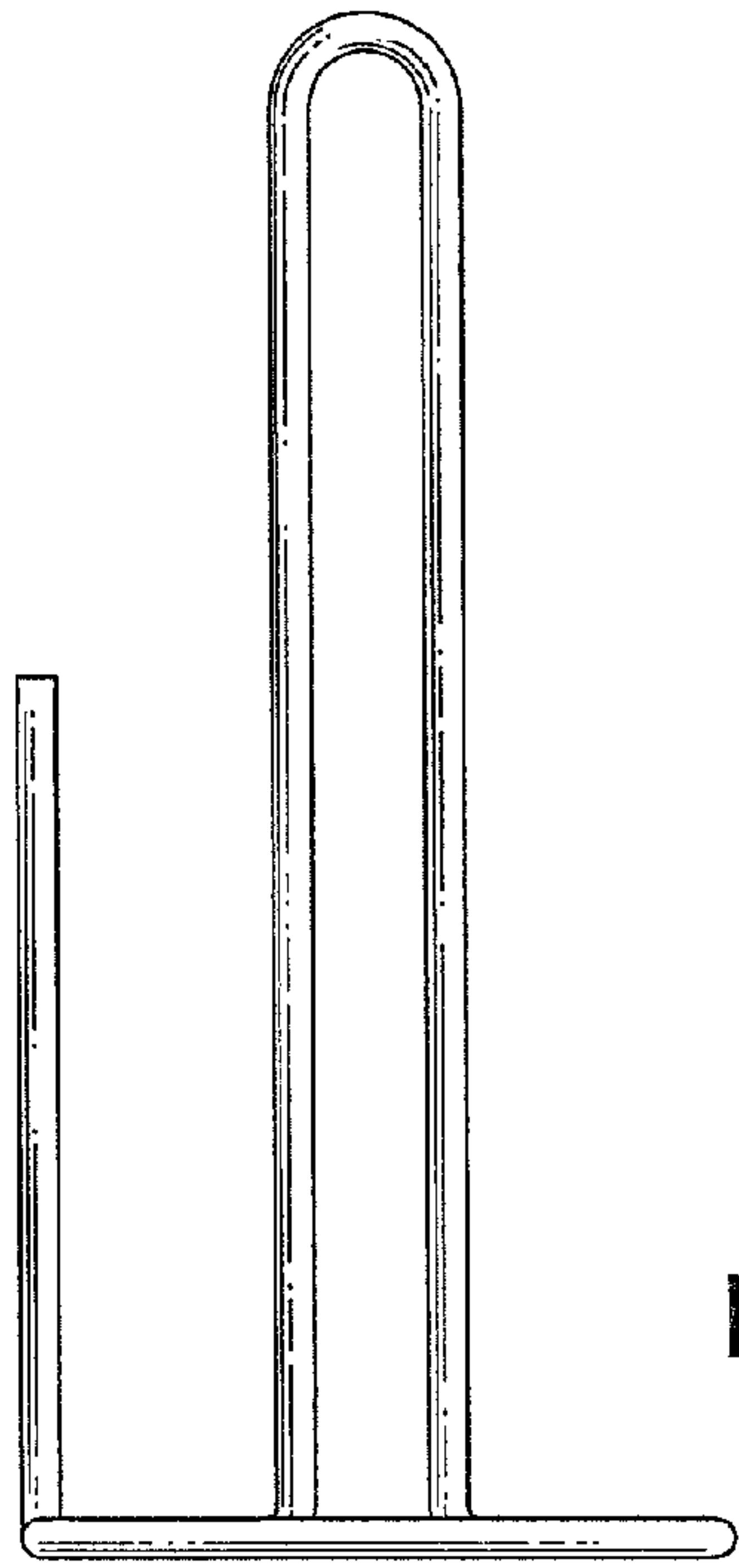


FIG 2

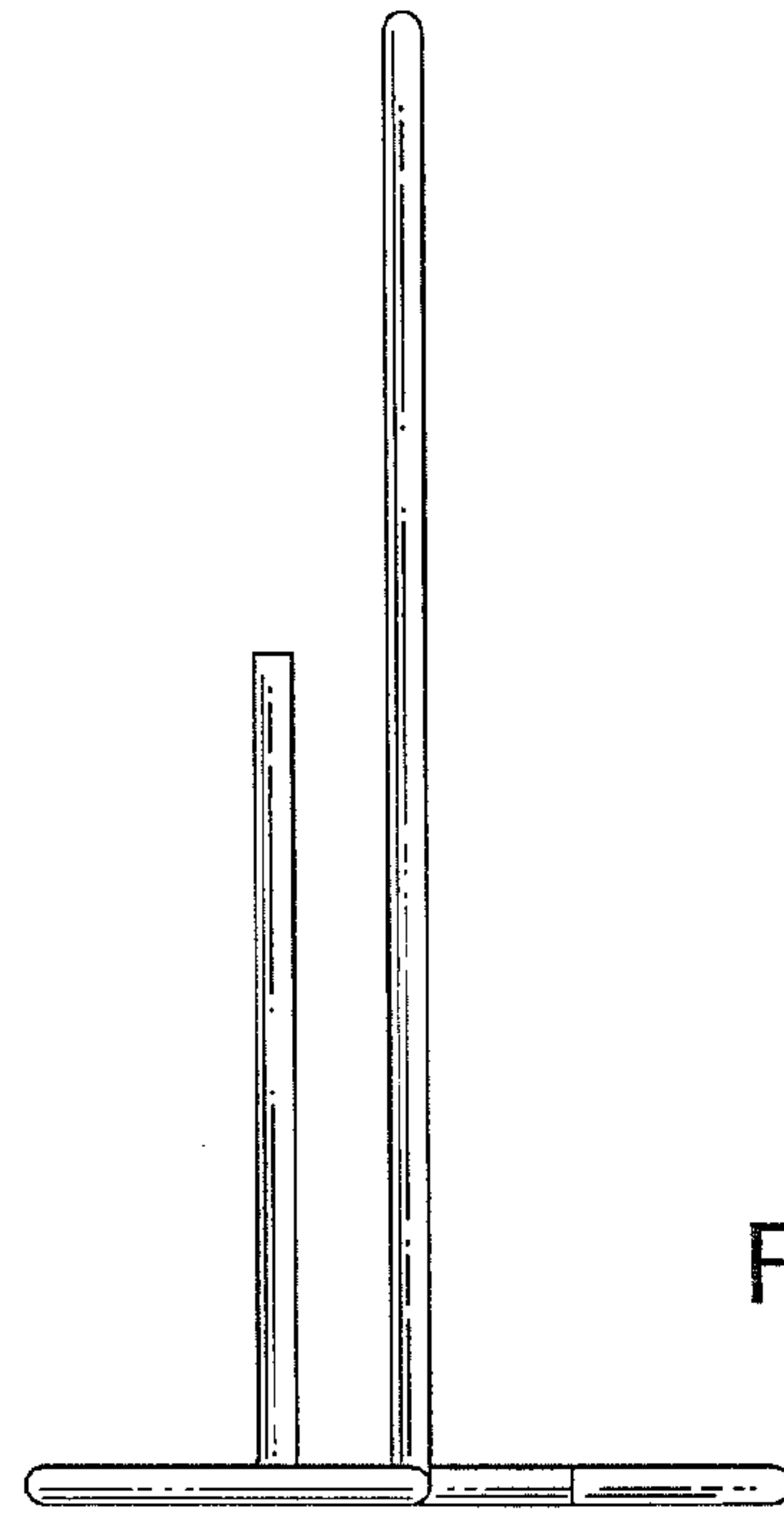


FIG 3

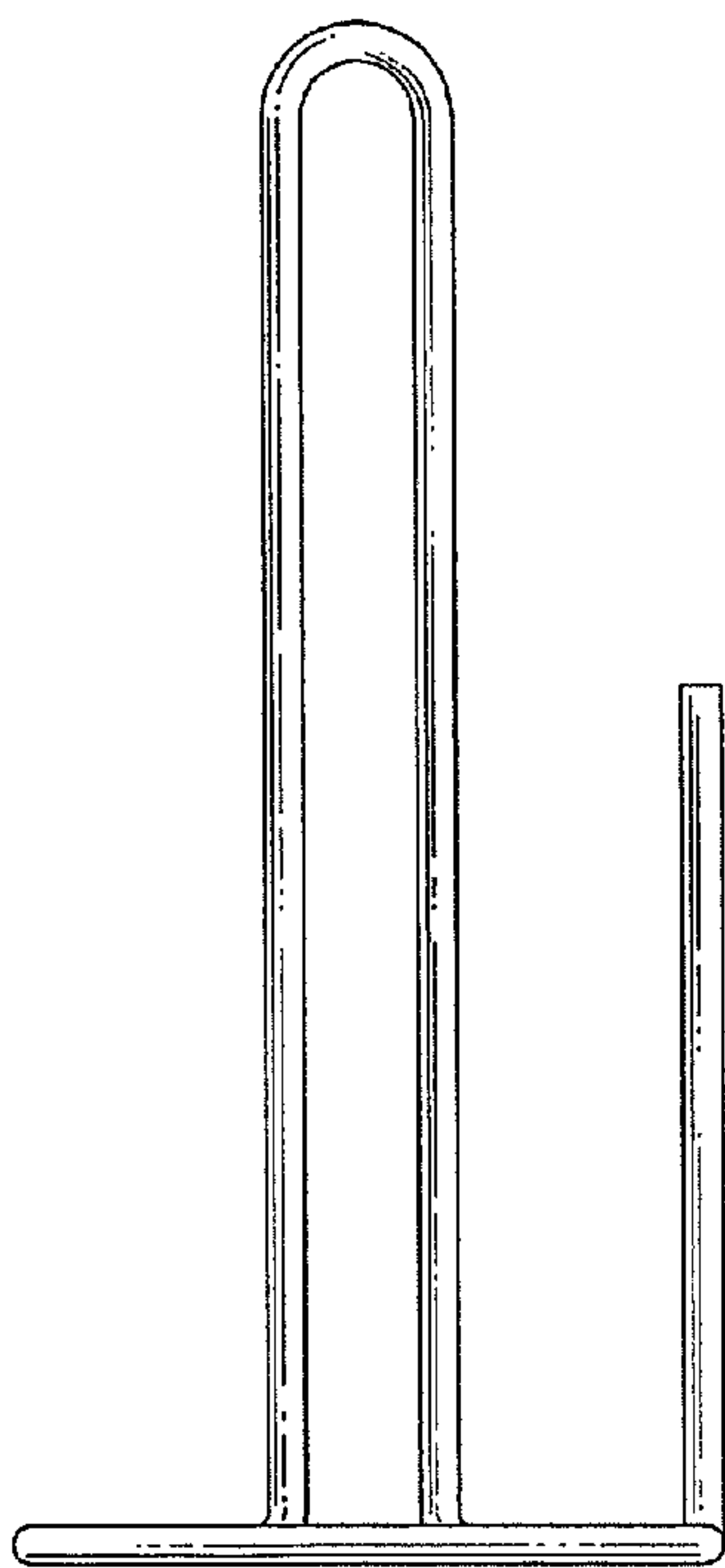


FIG 4

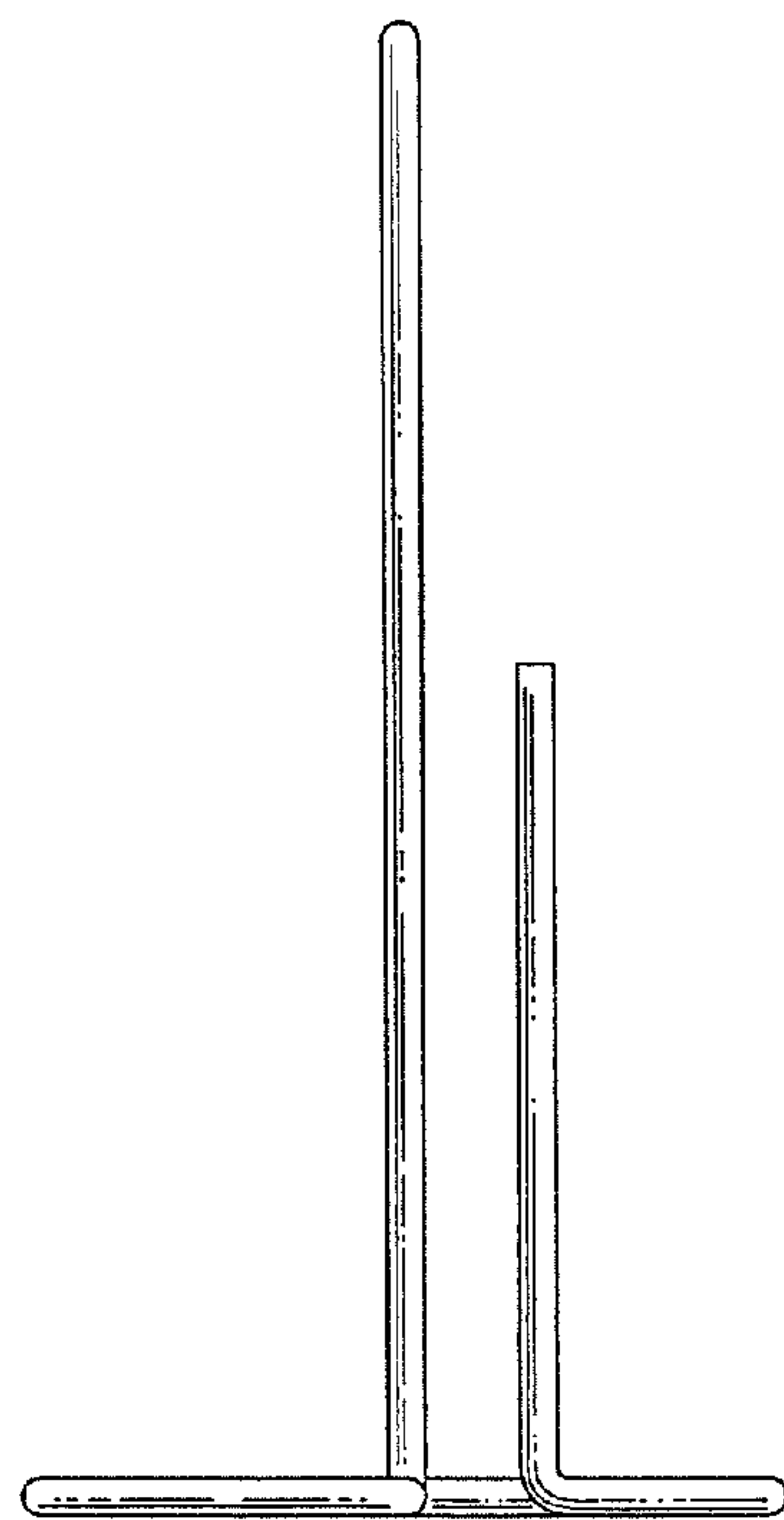


FIG 5

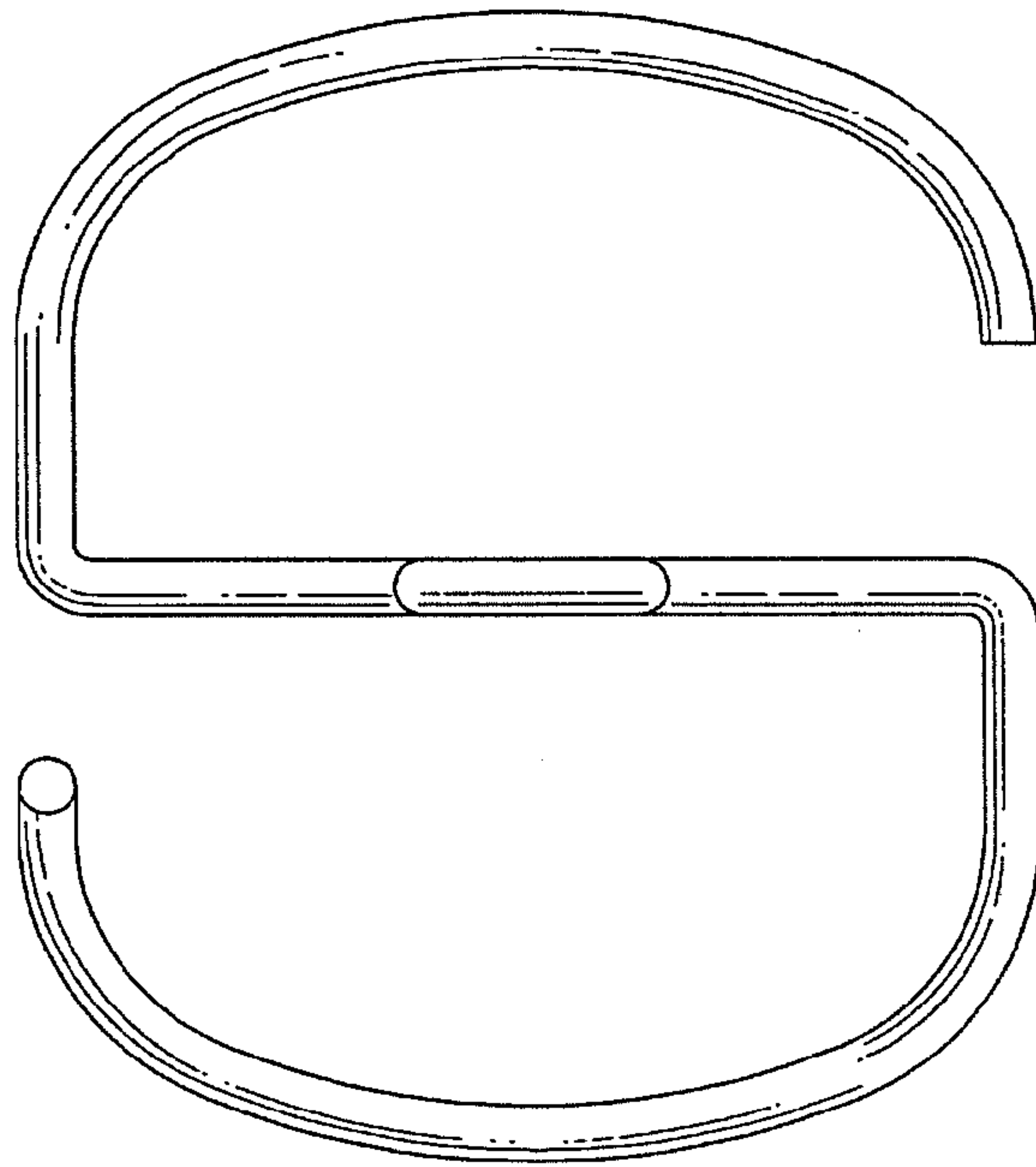


FIG 6

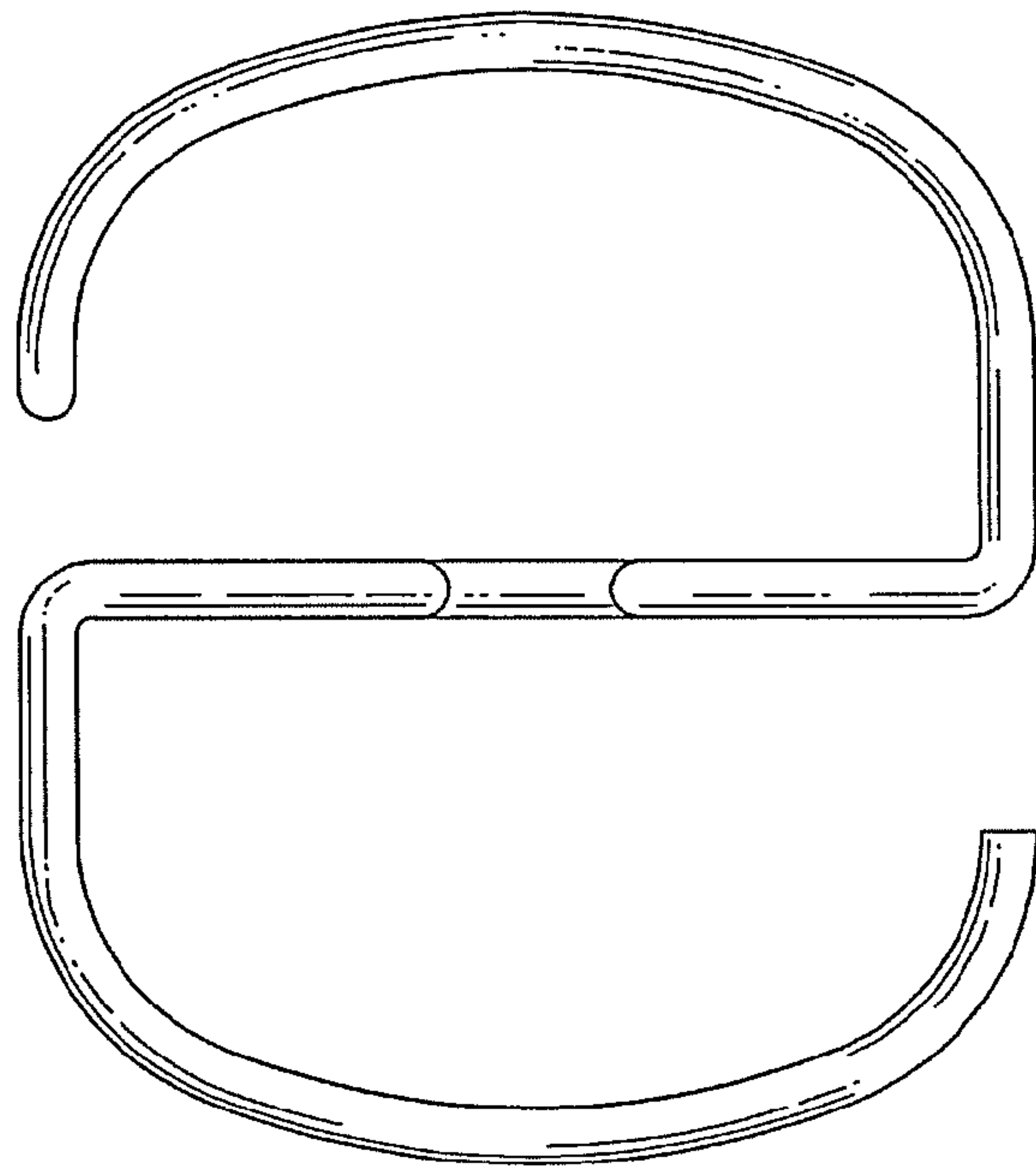


FIG 7