



US00D699045S

(12) **United States Design Patent**
Gomes et al.

(10) **Patent No.:** **US D699,045 S**
(45) **Date of Patent:** **** Feb. 11, 2014**

(54) **TRAY WITH MOUNTING BRACKET**

D636,198 S * 4/2011 Gibbs D6/513

(71) Applicant: **Angel Bird Healthcare Solutions, LLC**,
Salem, NH (US)

* cited by examiner

(72) Inventors: **Thomas M. Gomes**, Salem, NH (US);
Stephen J. Proulx, Derry, NH (US)

Primary Examiner — Brian N Vinson

(74) *Attorney, Agent, or Firm* — Mesmer & Deleault, PLLC

(73) Assignee: **Angel Bird Healthcare Solutions, LLC**,
Salem, NH (US)

(57) **CLAIM**

The ornamental design for a tray with mounting bracket, as shown and described.

(**) Term: **14 Years**

DESCRIPTION

(21) Appl. No.: **29/448,009**

FIG. 1 is a top, front, and right side perspective view of a tray with mounting bracket showing our new design;

(22) Filed: **Mar. 8, 2013**

FIG. 2 is a bottom, rear, and right side perspective view thereof;

(51) **LOC (10) Cl.** **06-06**

FIG. 3 is a front elevational view thereof;

(52) **U.S. Cl.**

FIG. 4 is a rear elevational view thereof;

USPC **D6/513**

FIG. 5 is a top plan view thereof;

(58) **Field of Classification Search**

USPC D3/304, 306; 206/202, 513, 557;
211/13.1, 41.3, 41.4, 86.01, 88.01,
211/134, 126.1, 181.1; 248/302; 220/485,
220/488; D6/513, 553, 567, 525

FIG. 6 is a bottom plan view thereof;

FIG. 7 is a left side elevational view thereof;

FIG. 8 is a right side elevational view thereof;

See application file for complete search history.

FIG. 9 is a partial, enlarged bottom, rear, and left side perspective view thereof, with the remaining portions omitted for clarity of illustration; and,

FIG. 10 is a partial, enlarged top, rear, and left side perspective view thereof, with the remaining portions omitted for clarity of illustration.

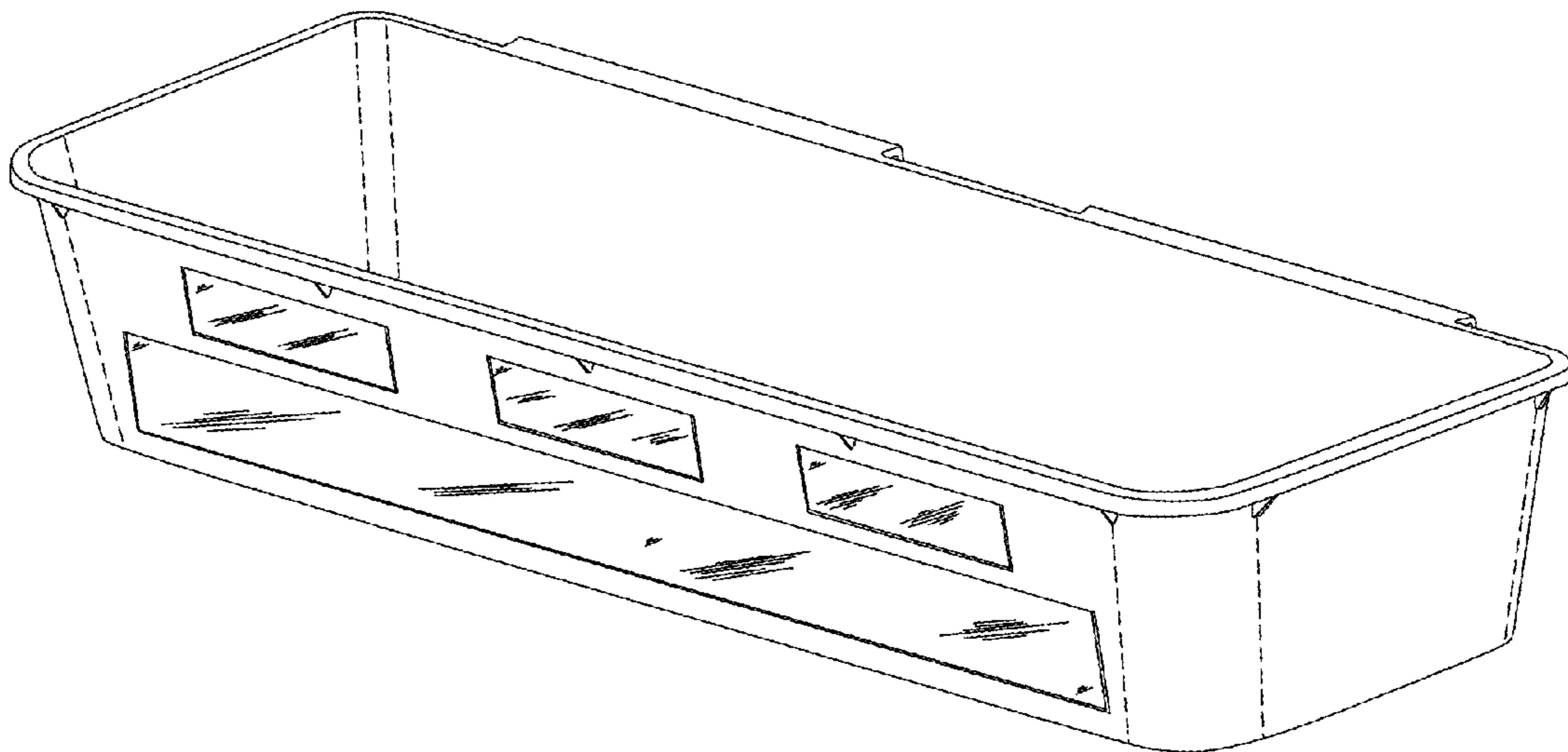
(56) **References Cited**

The broken-line disclosure in the views is understood to represent unclaimed portions of the tray.

U.S. PATENT DOCUMENTS

D392,804 S * 3/1998 Wilkening et al. D6/513

1 Claim, 6 Drawing Sheets



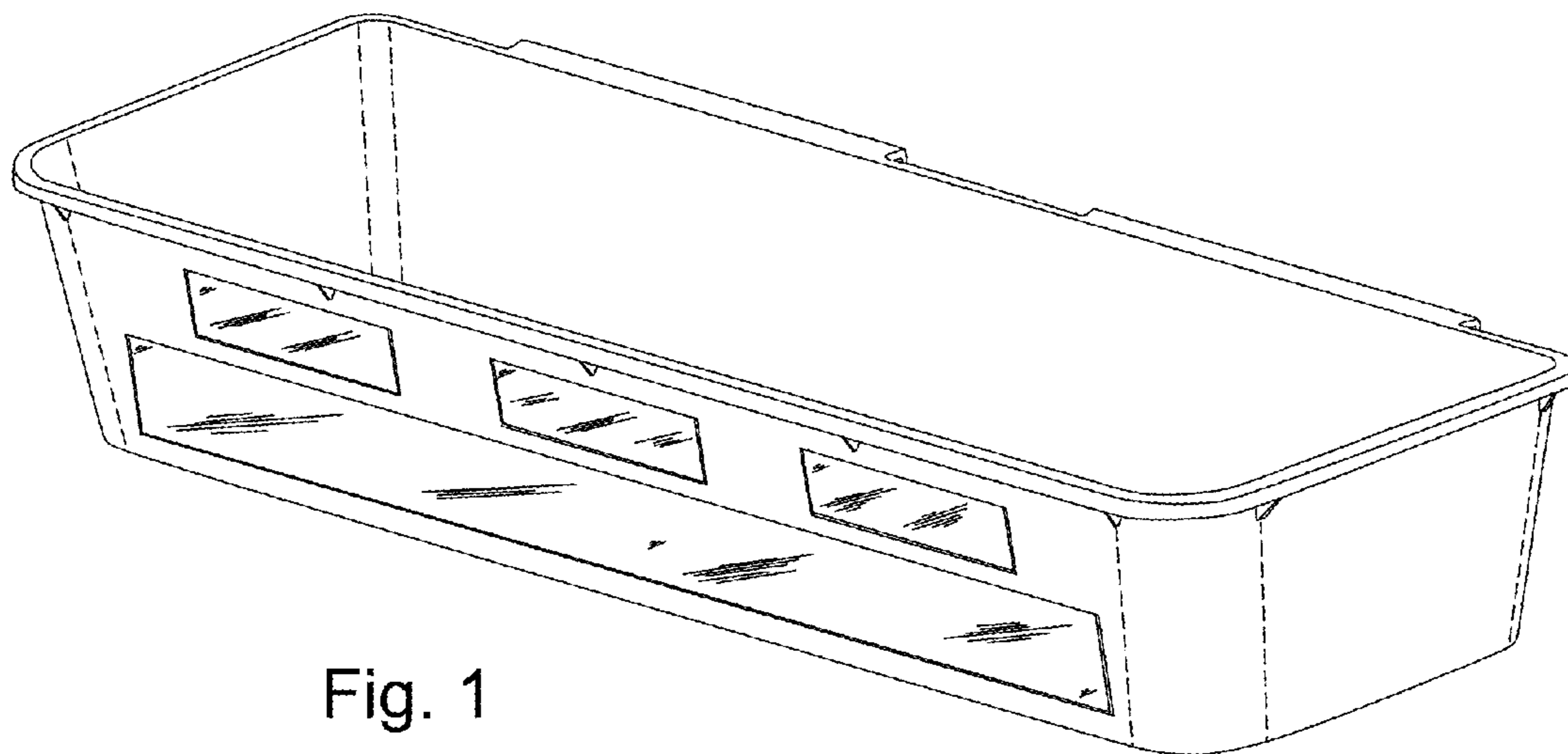


Fig. 1

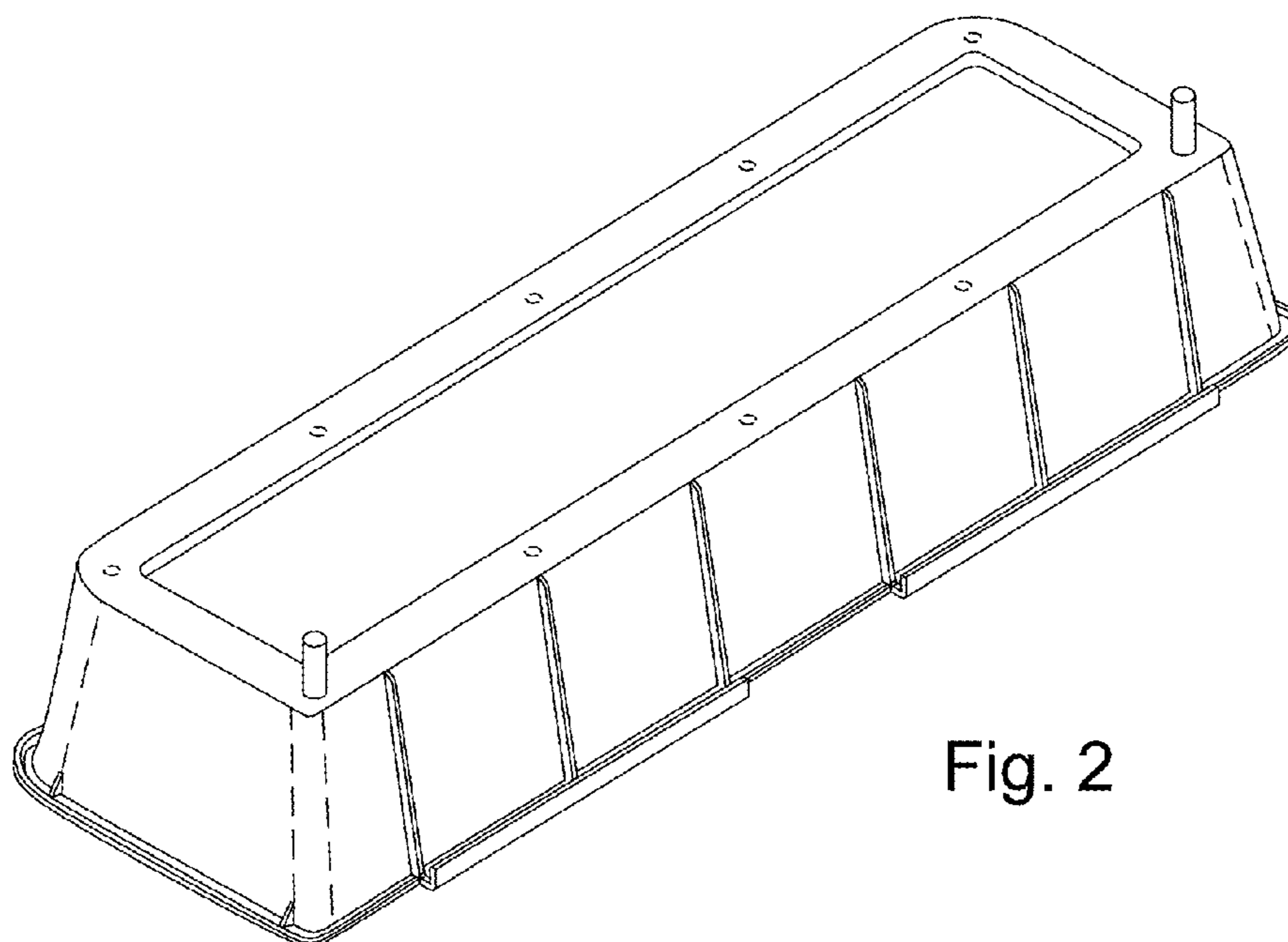


Fig. 2

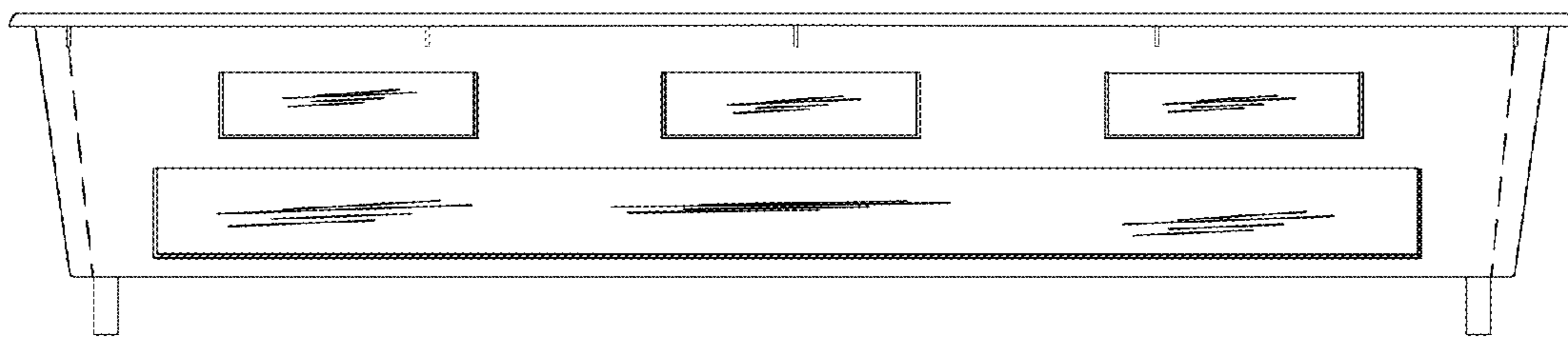


Fig. 3

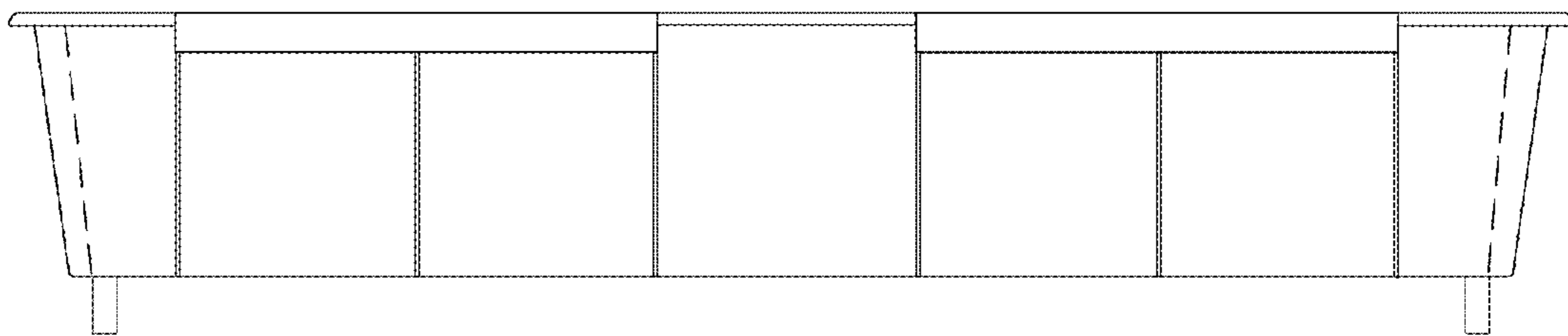


Fig. 4

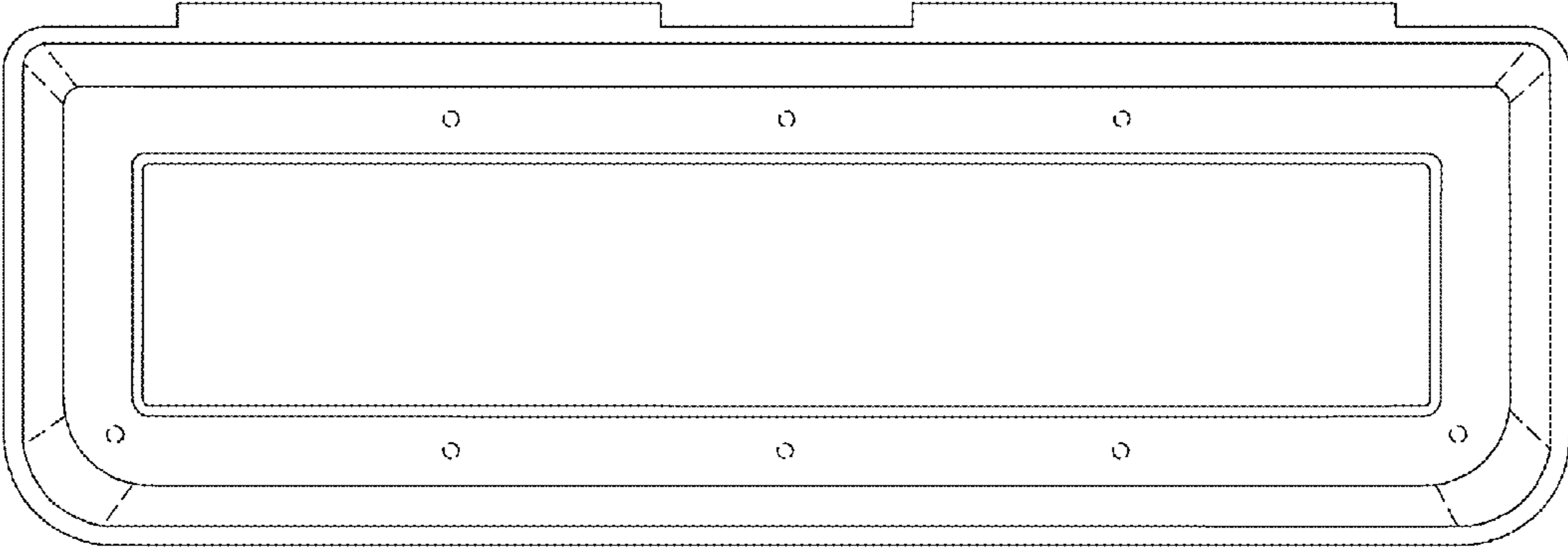


Fig. 5

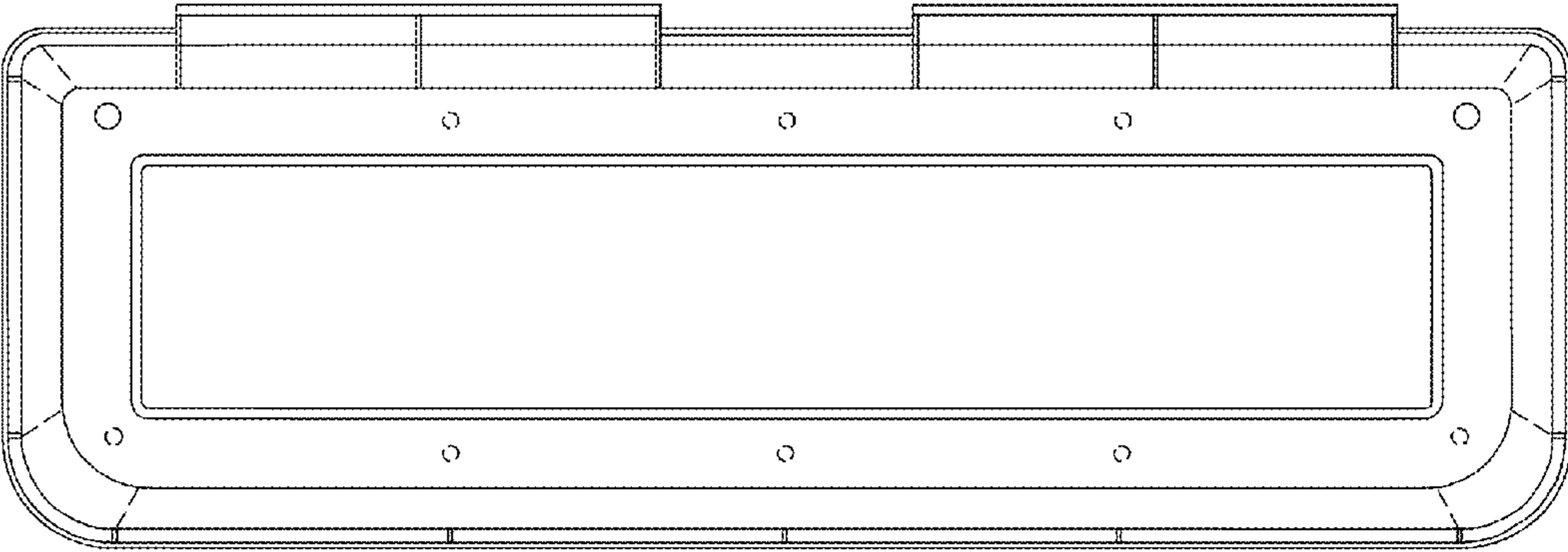


Fig. 6

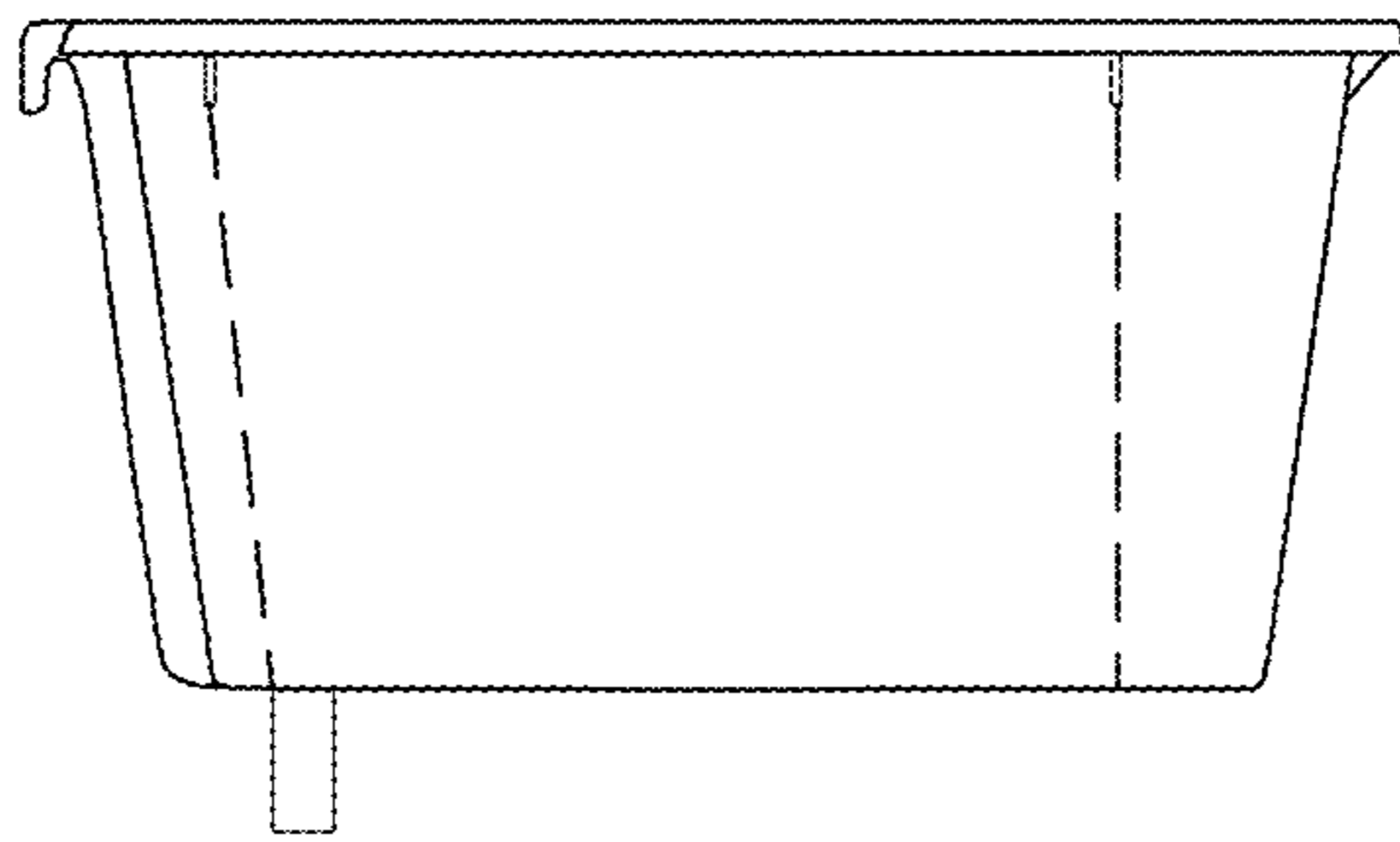


Fig. 7

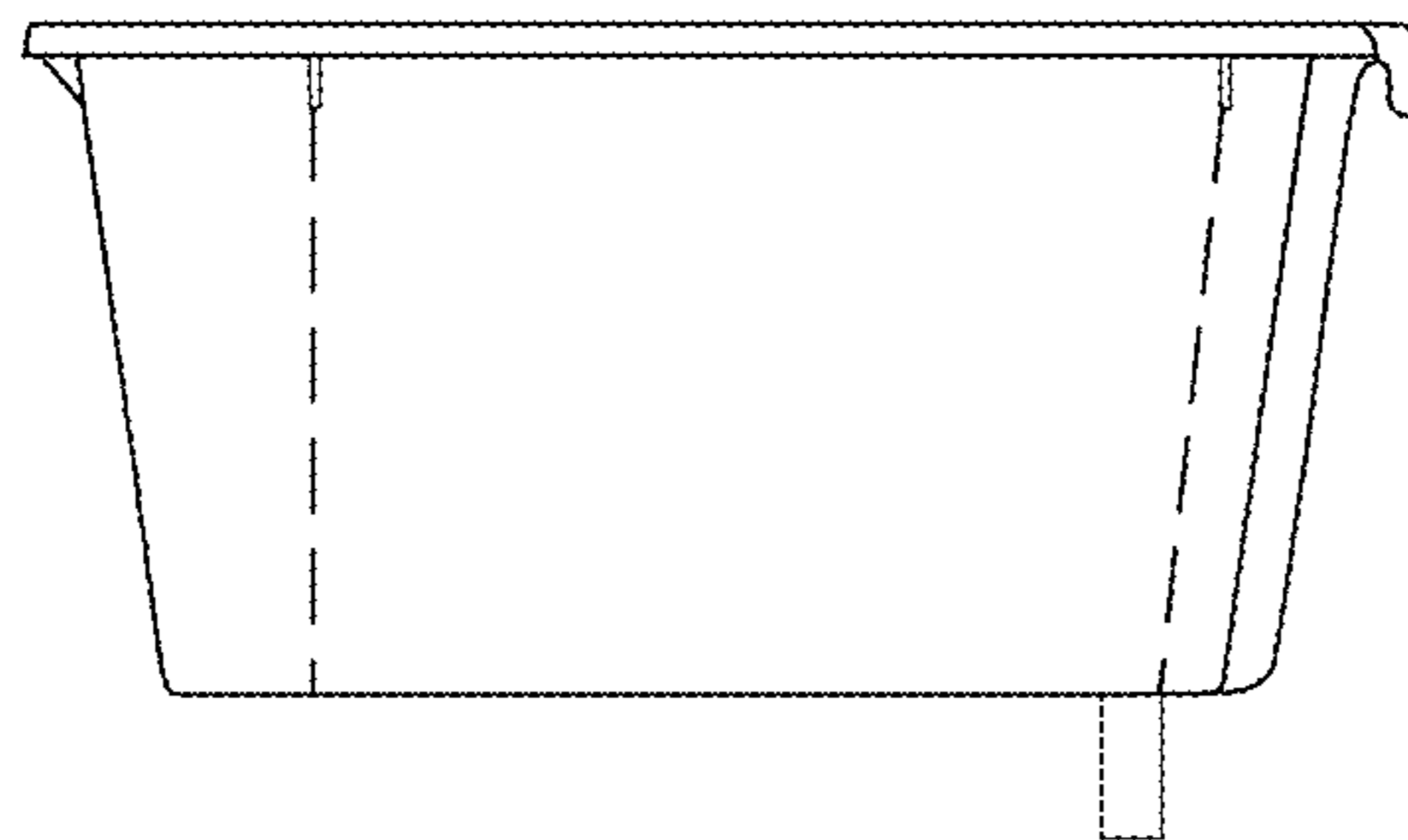


Fig. 8

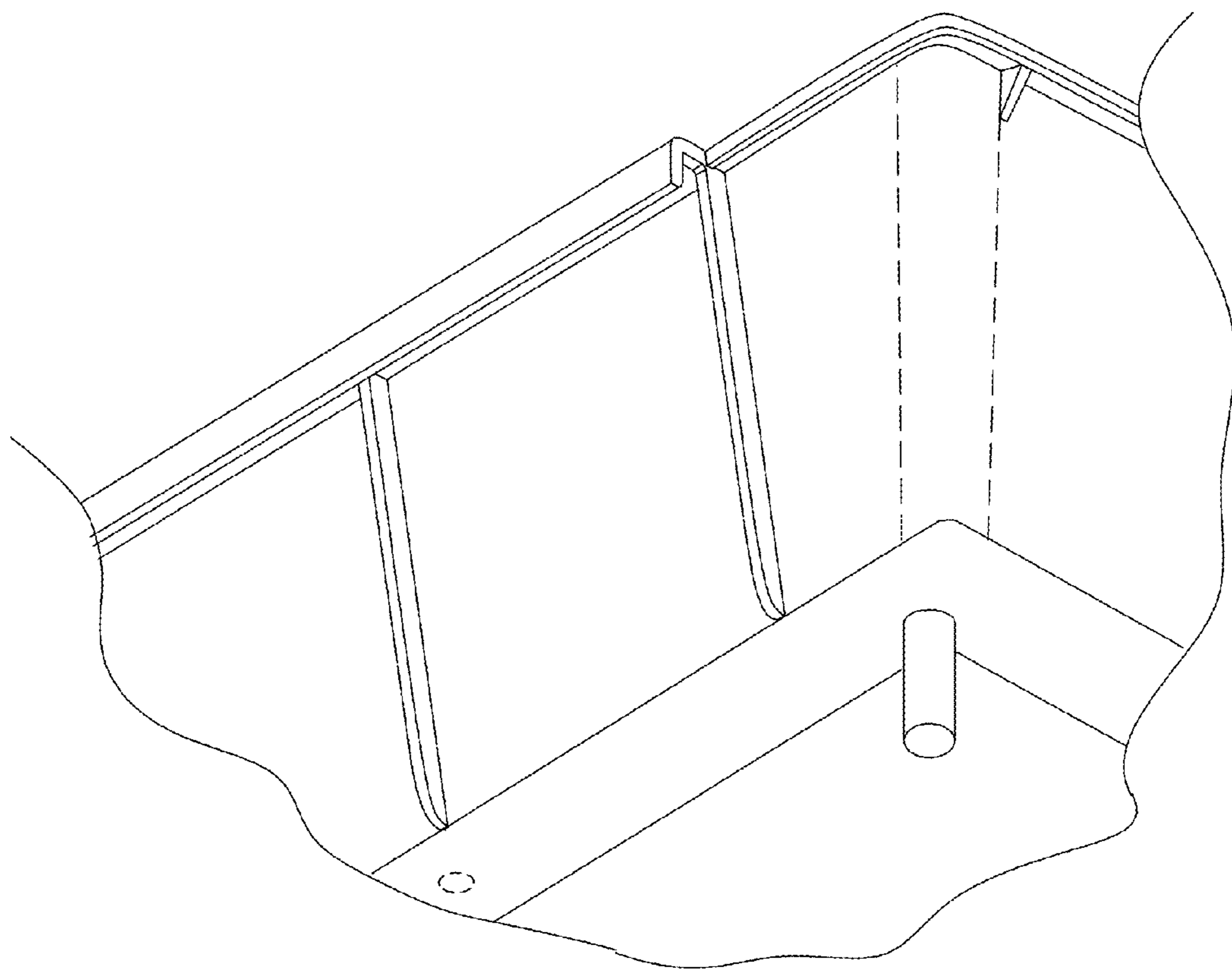


Fig. 9

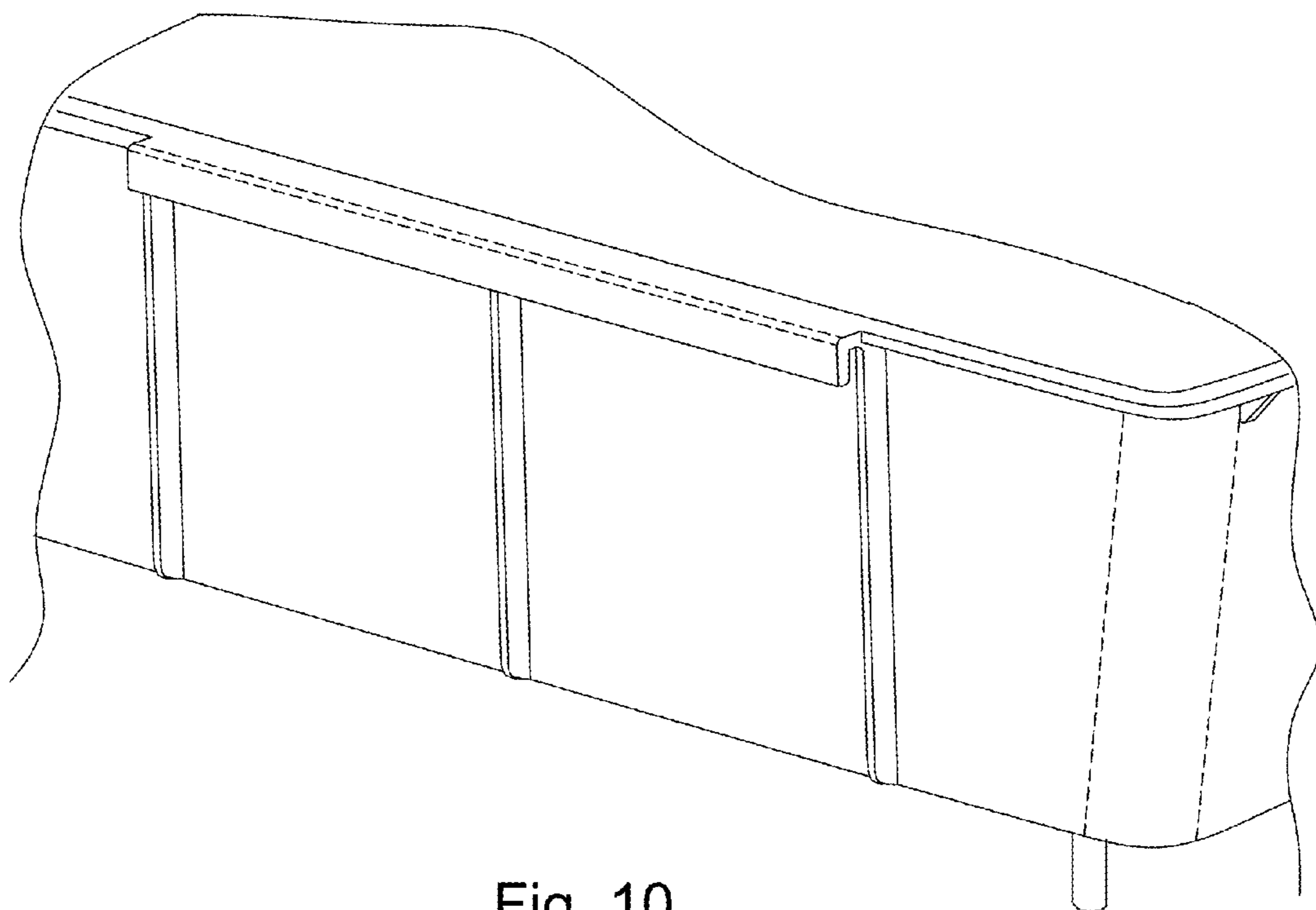


Fig. 10