



US00D699044S

(12) **United States Design Patent**
Bowling

(10) **Patent No.:** **US D699,044 S**

(45) **Date of Patent:** **** Feb. 11, 2014**

(54) **COMPACT PLANTER SYSTEM WITH THREE LEVELS**

(71) Applicant: **Juli Bowling**, Nokomis, FL (US)

(72) Inventor: **Juli Bowling**, Nokomis, FL (US)

(**) Term: **14 Years**

(21) Appl. No.: **29/444,968**

(22) Filed: **Feb. 6, 2013**

(51) **LOC (10) Cl.** **11-02**

(52) **U.S. Cl.**
USPC **D6/405**

(58) **Field of Classification Search**
USPC D6/403–405, 556–558; D8/1;
D11/143–156, 164; D19/77, 80, 81,
D19/84; D25/100; D26/9–11, 16, 19;
D34/1, 2, 4–6; D99/5, 19; 47/17, 32.4,
47/32.5, 33, 39, 41.01, 41.1, 41.11–41.15,
47/44–47, 65, 65.5, 65.9, 66.1, 66.6, 66.7,
47/67–71

See application file for complete search history.

(56) **References Cited**

U.S. PATENT DOCUMENTS

D24,392 S * 6/1895 Mittel, Jr. D34/8
D258,206 S * 2/1981 Bourke D11/156

D315,260 S * 3/1991 Kelly D6/405
D371,695 S * 7/1996 Buck D6/460
D459,908 S * 7/2002 Sharpton, III D6/405
D465,349 S * 11/2002 Sharpton, III D6/405
D603,181 S * 11/2009 Carlington D6/405
D634,134 S * 3/2011 Gingrich D6/405
D673,074 S * 12/2012 Zhao D11/156
D675,127 S * 1/2013 DiMaggio D11/143
2003/0005625 A1 * 1/2003 Reichert 47/65.5
2009/0183427 A1 * 7/2009 DiMaggio 47/39

* cited by examiner

Primary Examiner — Garth Rademaker

(74) *Attorney, Agent, or Firm* — Bursum Patent Law, P.L.;
Kimberly S. Bursum

(57) **CLAIM**

The ornamental design for a compact planter system with three levels, as shown and described.

DESCRIPTION

FIG. 1 is a front perspective view of a compact planter system with three levels;

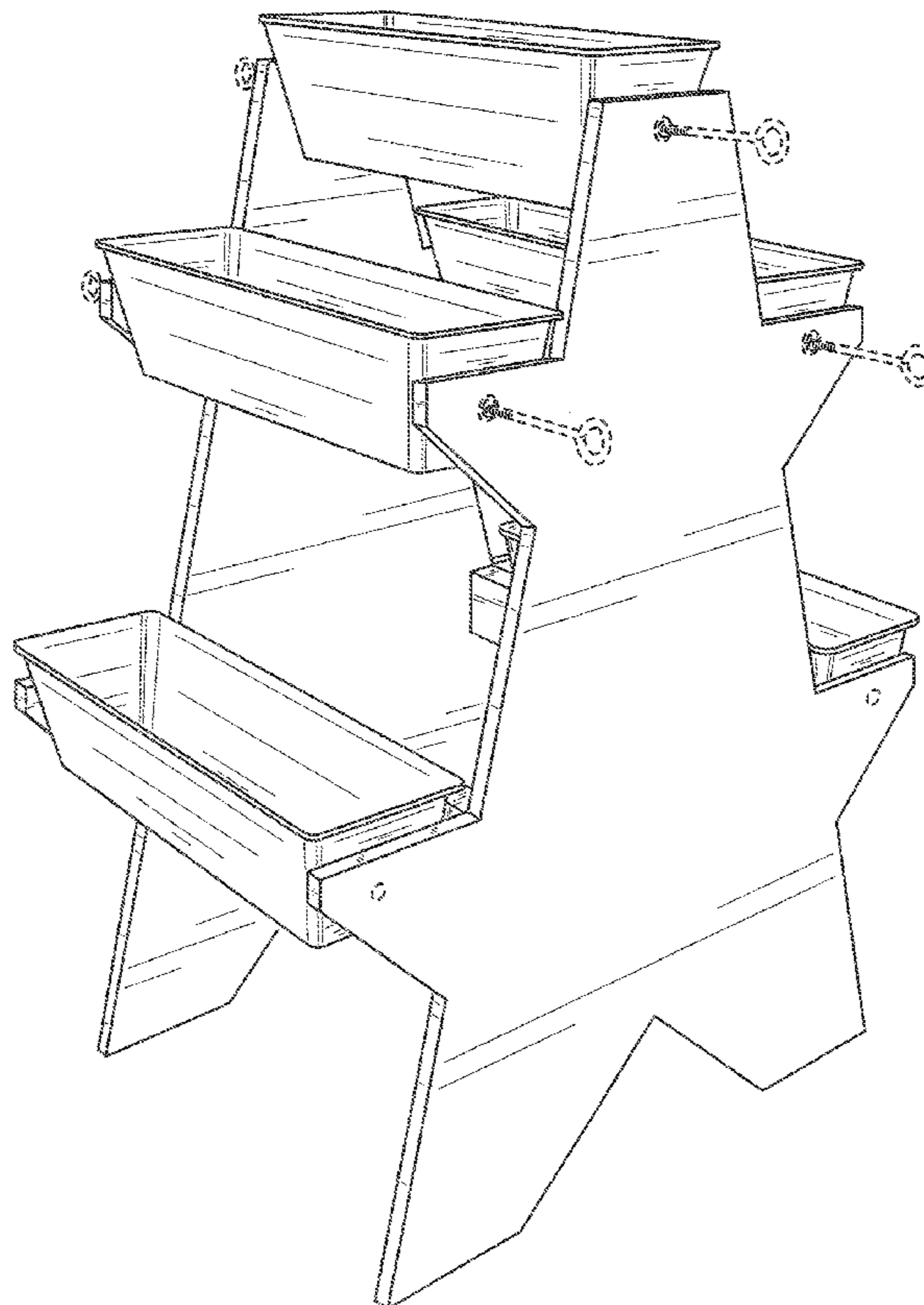
FIG. 2 is a front elevation view thereof, the back being identical thereto;

FIG. 3 is a right side elevation view thereof, the left side being a mirror image thereof; and,

FIG. 4 is a top plan view thereof.

The broken lines in the drawings depict environmental subject matter only and form no part of the claimed design.

1 Claim, 4 Drawing Sheets



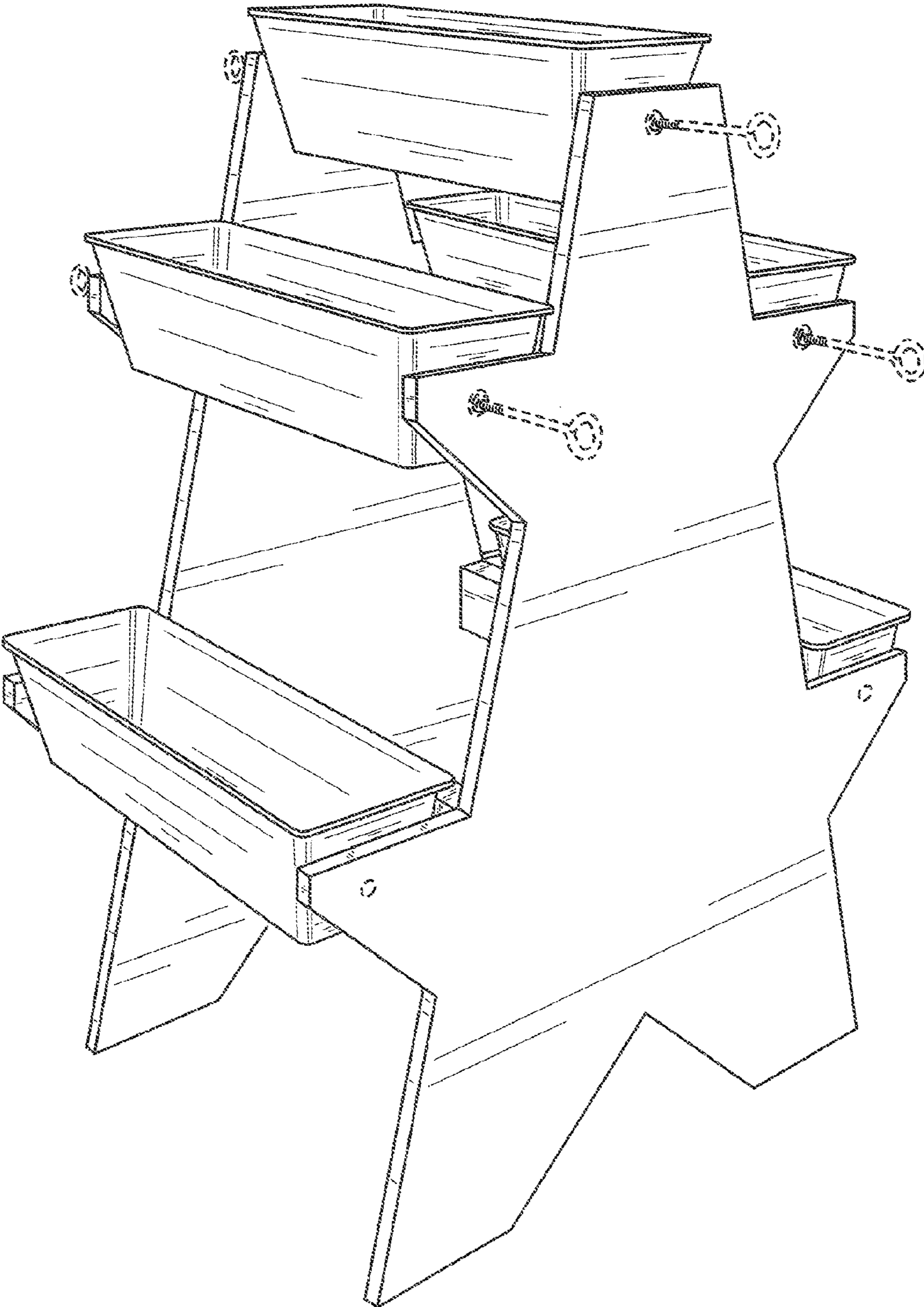


FIG. 1

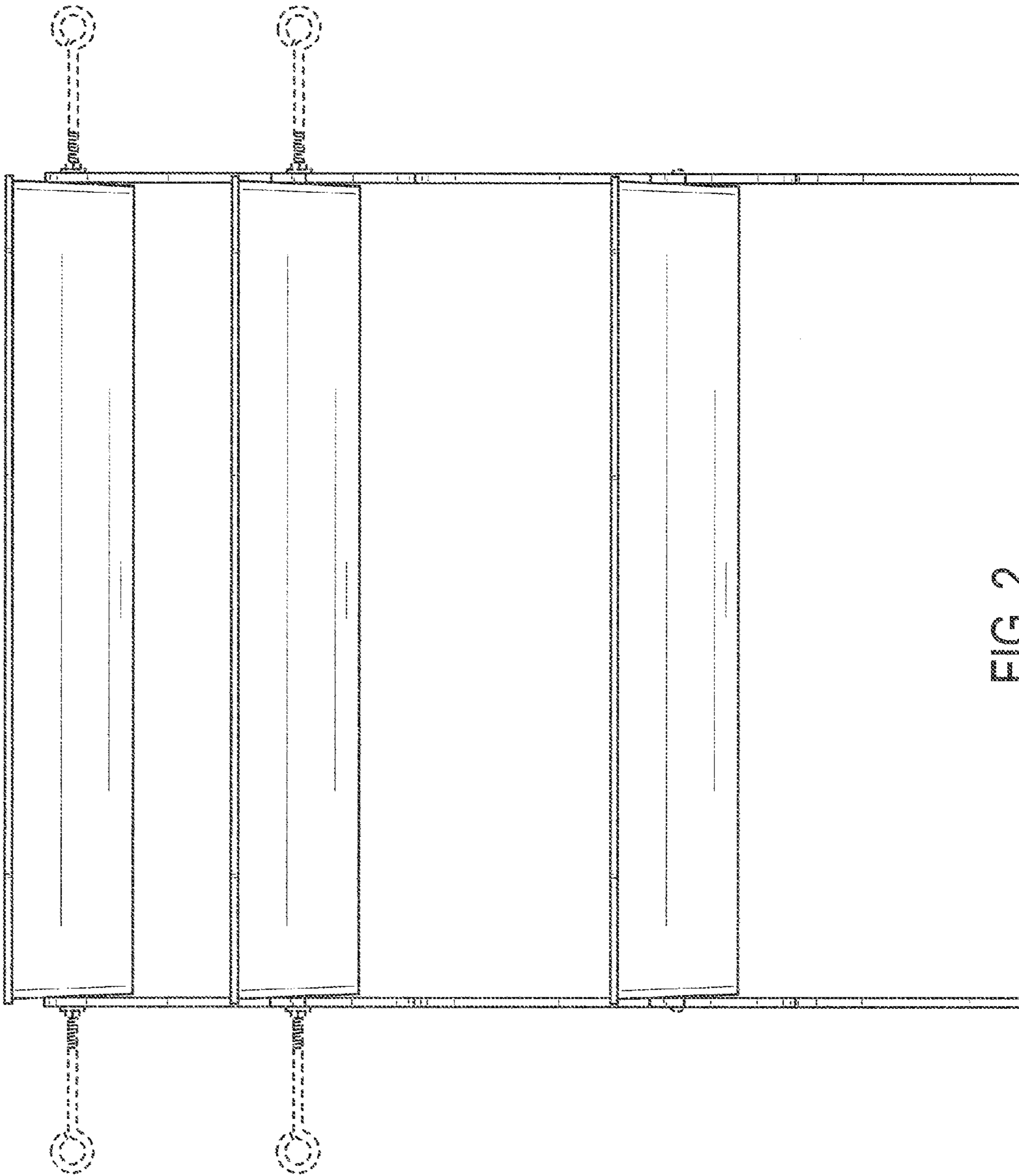


FIG. 2

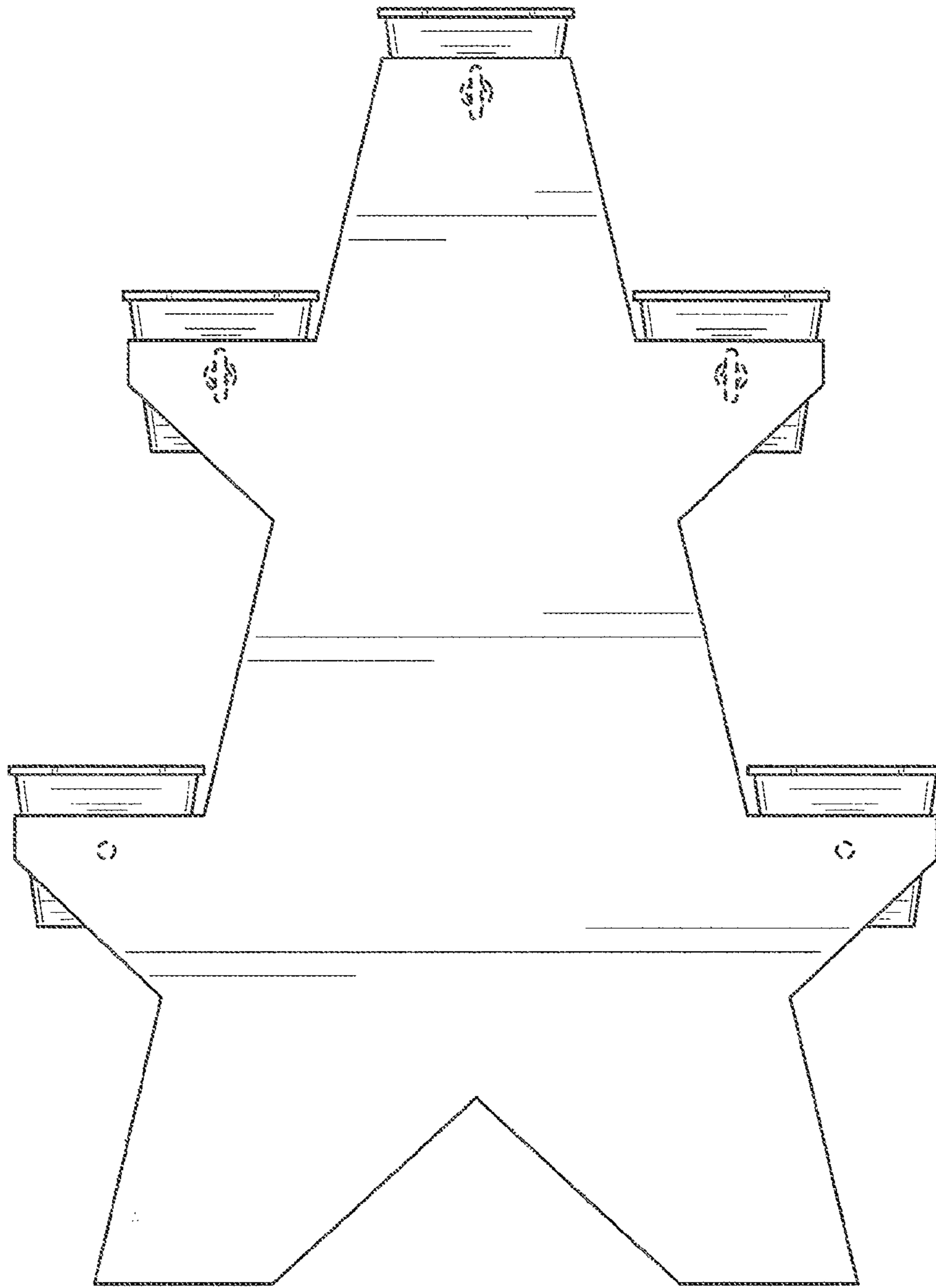


FIG. 3

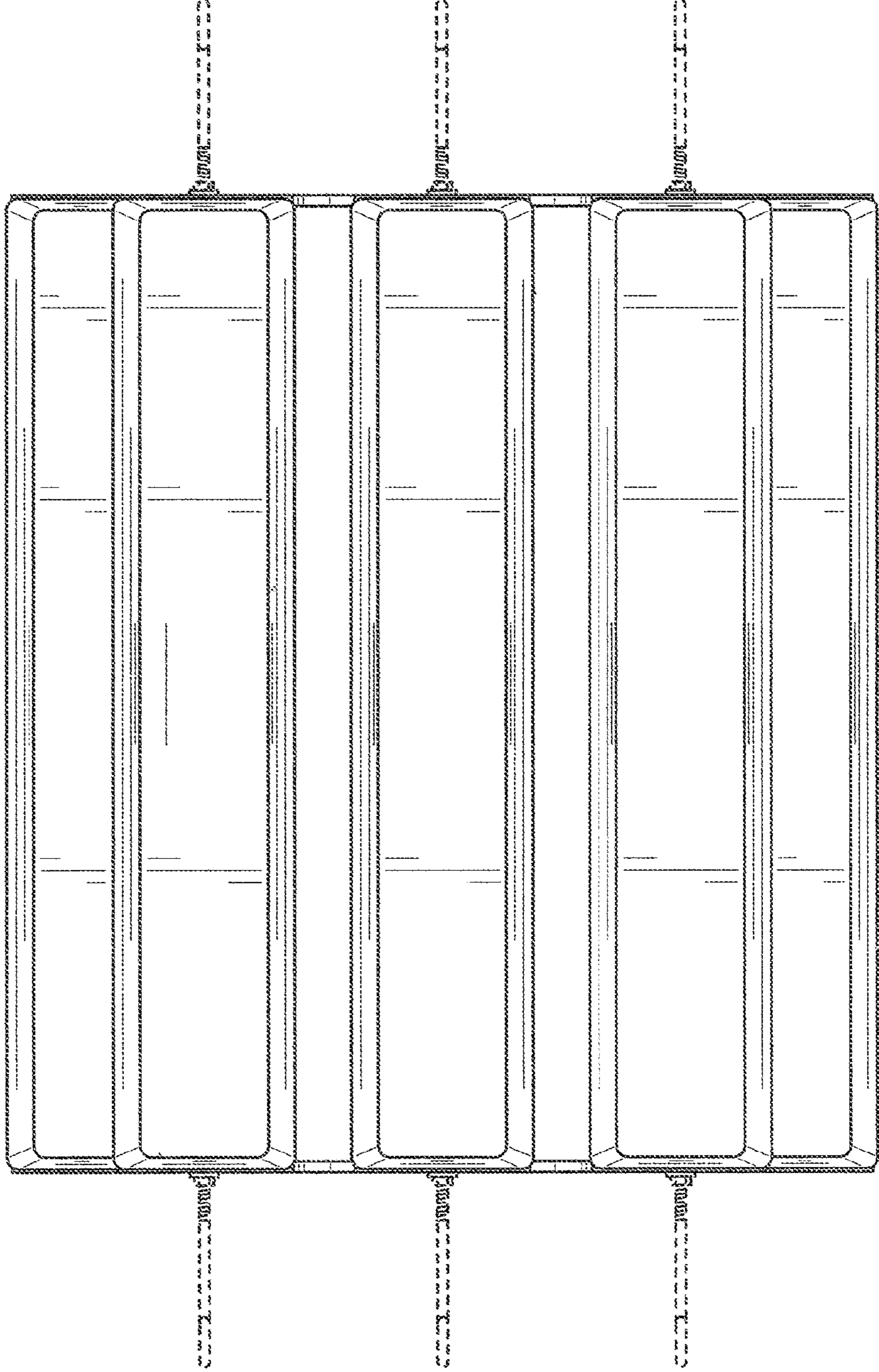


FIG. 4