



US00D699043S

(12) **United States Design Patent**  
**McNae**

(10) **Patent No.:** **US D699,043 S**

(45) **Date of Patent:** **\*\* Feb. 11, 2014**

(54) **CONVERTIBLE MULTIMEDIA CHAIR**

(71) Applicant: **Robert McNae**, Wayzata, MN (US)

(72) Inventor: **Robert McNae**, Wayzata, MN (US)

(\*\*) Term: **14 Years**

(21) Appl. No.: **29/458,259**

(22) Filed: **Jun. 18, 2013**

(51) **LOC (10) Cl.** ..... **06-01**

(52) **U.S. Cl.**  
USPC ..... **D6/335**

(58) **Field of Classification Search**  
USPC ..... D6/334–338, 349, 355, 361, 368–370,  
D6/376, 379–381, 492, 500–502, 601, 716,  
D6/716.1, 716.4, 377; 297/16.1, 42, 94,  
297/135, 175, 232, 233, 350, 351, 445.1,  
297/448.1, 448.2, 451.9; 5/12.1, 12.2  
See application file for complete search history.

(56) **References Cited**

U.S. PATENT DOCUMENTS

D173,625 S	*	12/1954	Maurer	.....	D6/360
D187,917 S	*	5/1960	Spound	.....	D6/334
D231,878 S	*	6/1974	Kellum	.....	D6/334
D442,375 S	*	5/2001	Stammberger	.....	D6/335
D447,639 S	*	9/2001	Carlson	.....	D6/336
D510,666 S	*	10/2005	Pimental et al.	.....	D6/334
D532,984 S	*	12/2006	Bernett	.....	D6/367
D541,064 S	*	4/2007	Miller et al.	.....	D6/367
D551,869 S	*	10/2007	Zambelli	.....	D6/367
D586,138 S	*	2/2009	Potter	.....	D6/367
D602,704 S	*	10/2009	Tierney	.....	D6/367

D622,516 S	*	8/2010	Delmestri	.....	D6/367
D654,708 S	*	2/2012	Figueras Mitjans	.....	D6/336
D680,771 S	*	4/2013	Spoelhof et al.	.....	D6/381

\* cited by examiner

*Primary Examiner* — Sandra Snapp

(74) *Attorney, Agent, or Firm* — Dicke, Billig & Czaja, PLLC

(57) **CLAIM**

The ornamental design for convertible multimedia chair, as shown and described herein.

**DESCRIPTION**

FIG. 1 is a perspective view of the convertible multimedia chair in seating configuration.

FIG. 2 is a front view of the convertible multimedia chair of FIG. 1.

FIG. 3 is a back view of the convertible multimedia chair of FIG. 1.

FIG. 4 is a side view of the convertible multimedia chair of FIG. 1.

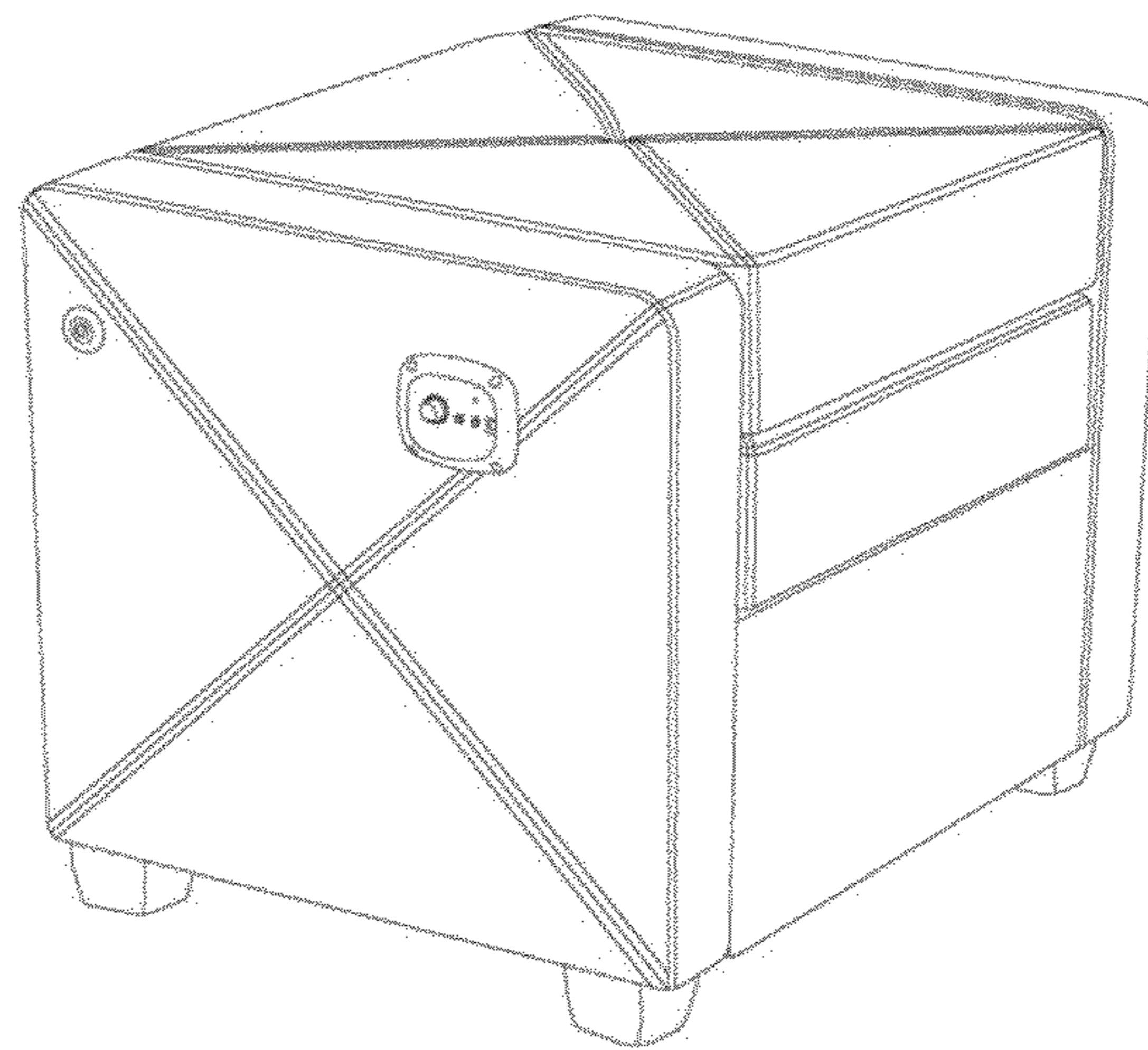
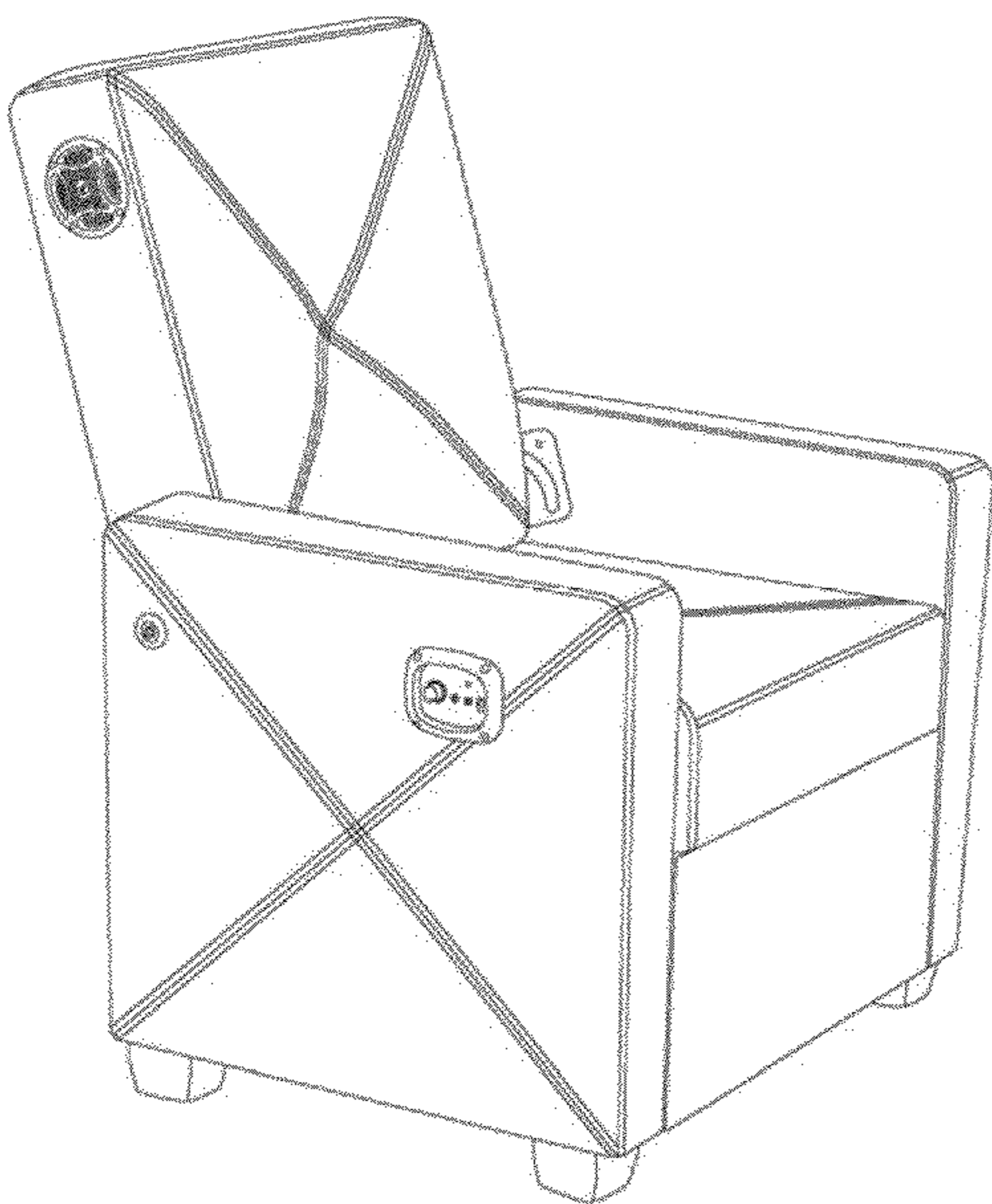
FIG. 5 is a perspective view of the convertible multimedia chair in an ottoman configuration.

FIG. 6 is a front view of the convertible multimedia chair of FIG. 5.

FIG. 7 is a back view of the convertible multimedia chair of FIG. 5; and,

FIG. 8 is a side view of the convertible multimedia chair of FIG. 5.

**1 Claim, 4 Drawing Sheets**



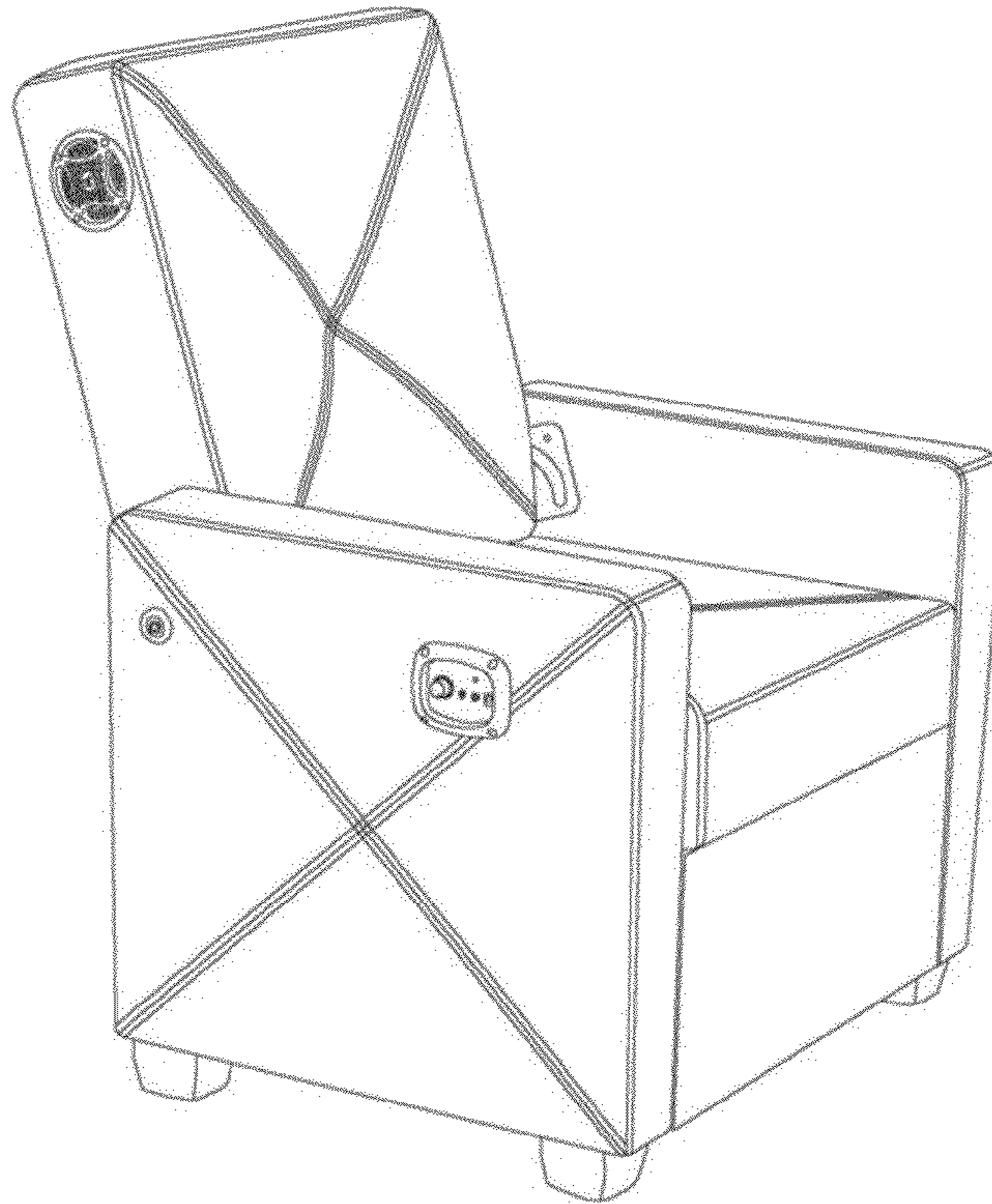


Fig. 1

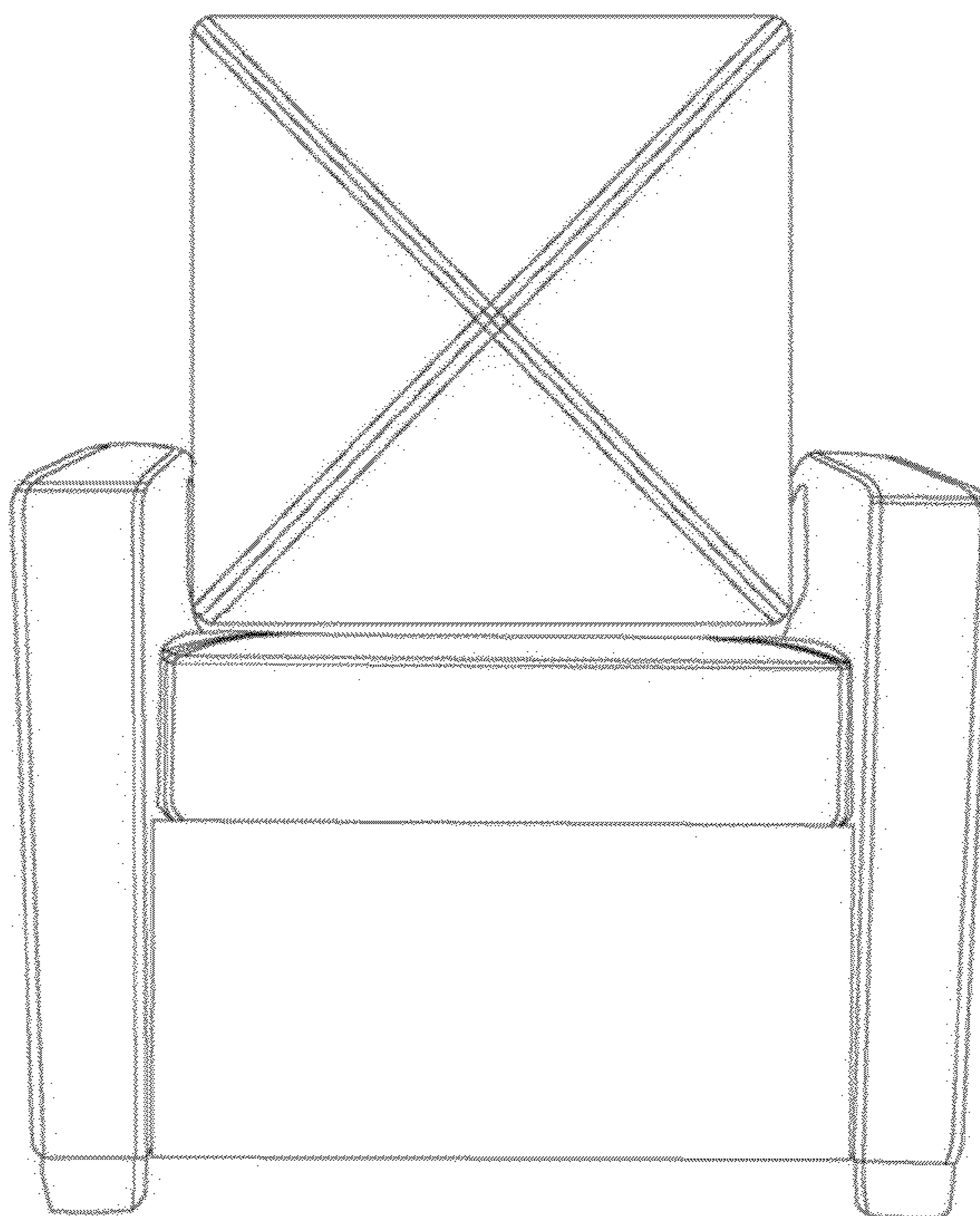


Fig. 2



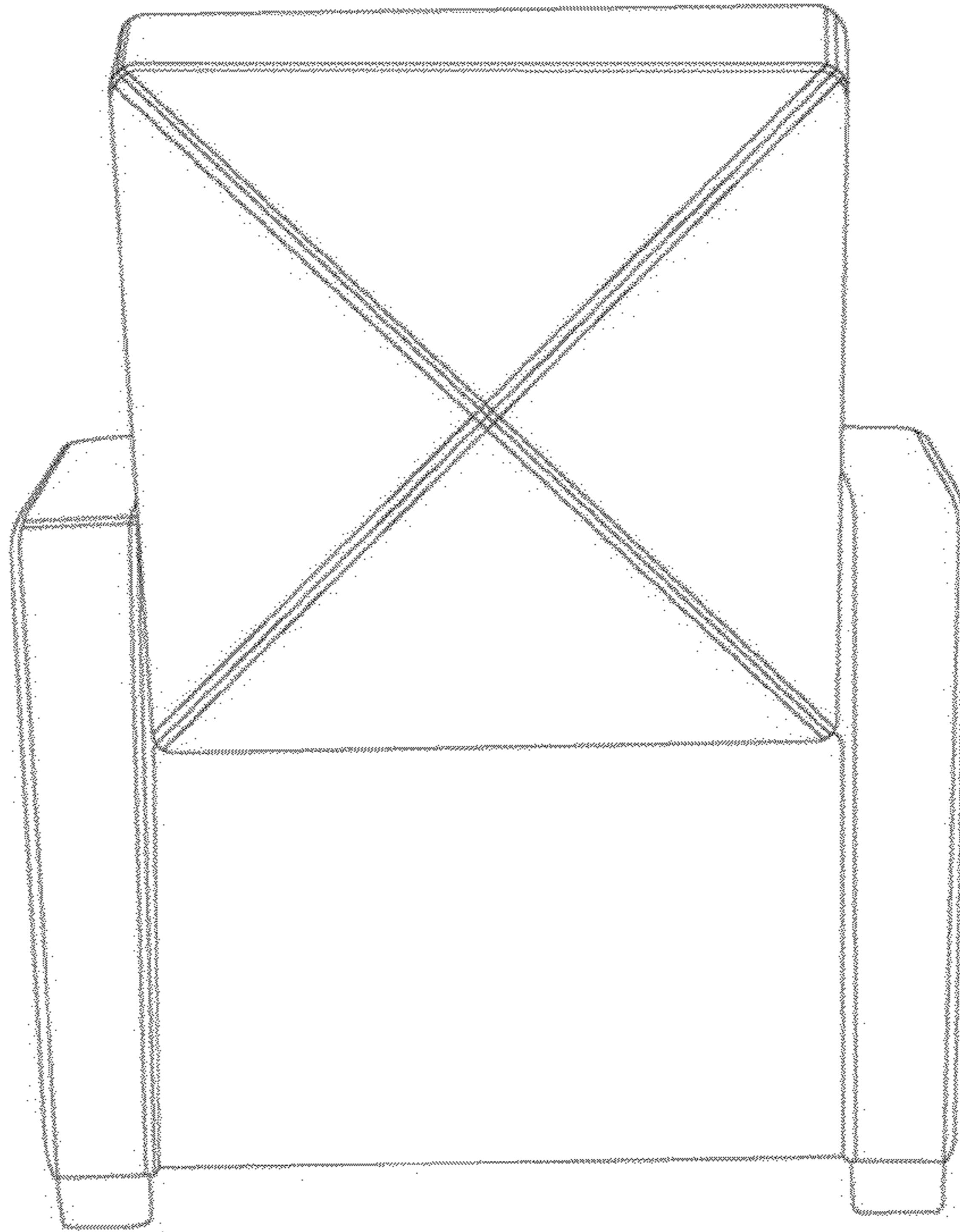


Fig. 3

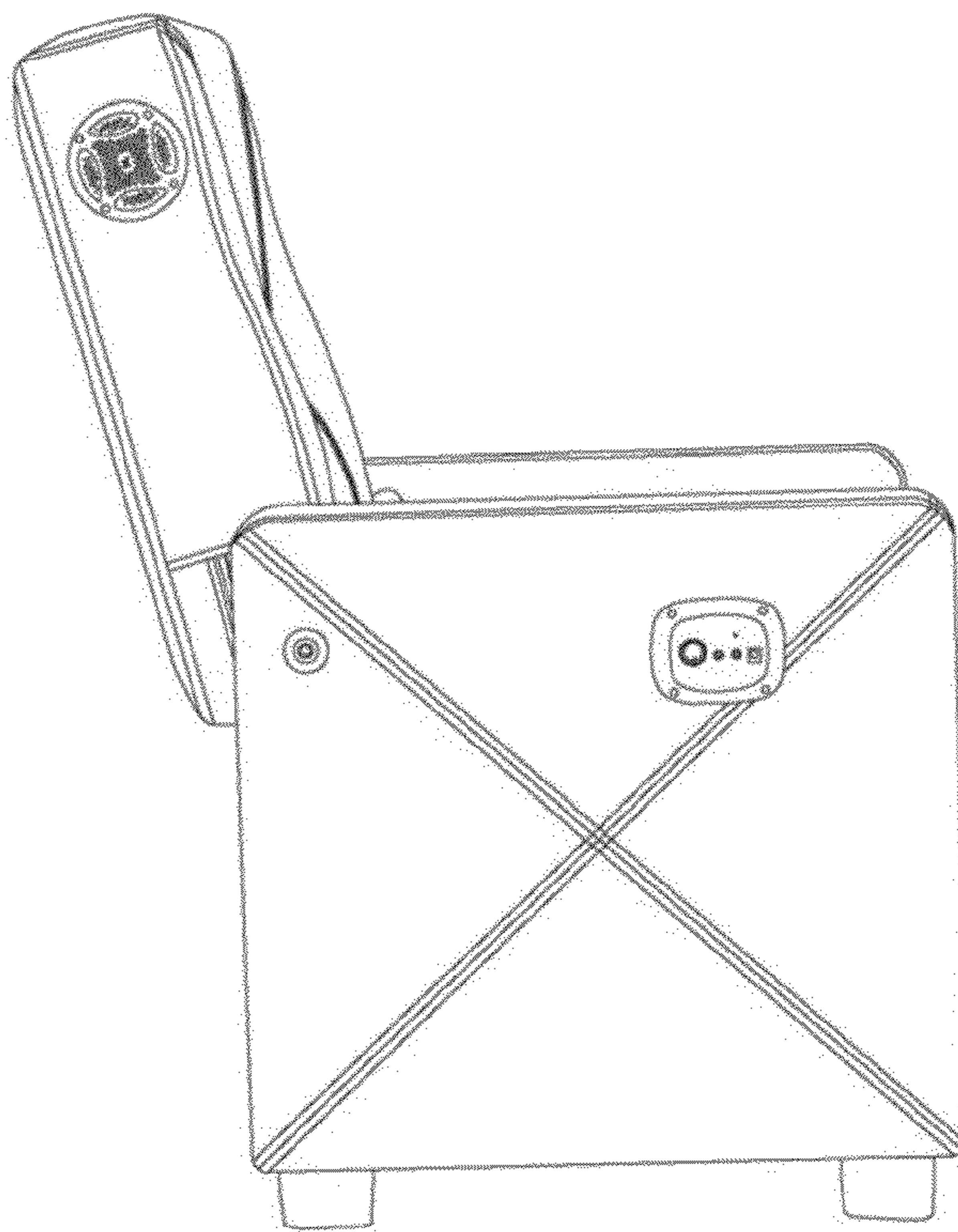


Fig. 4

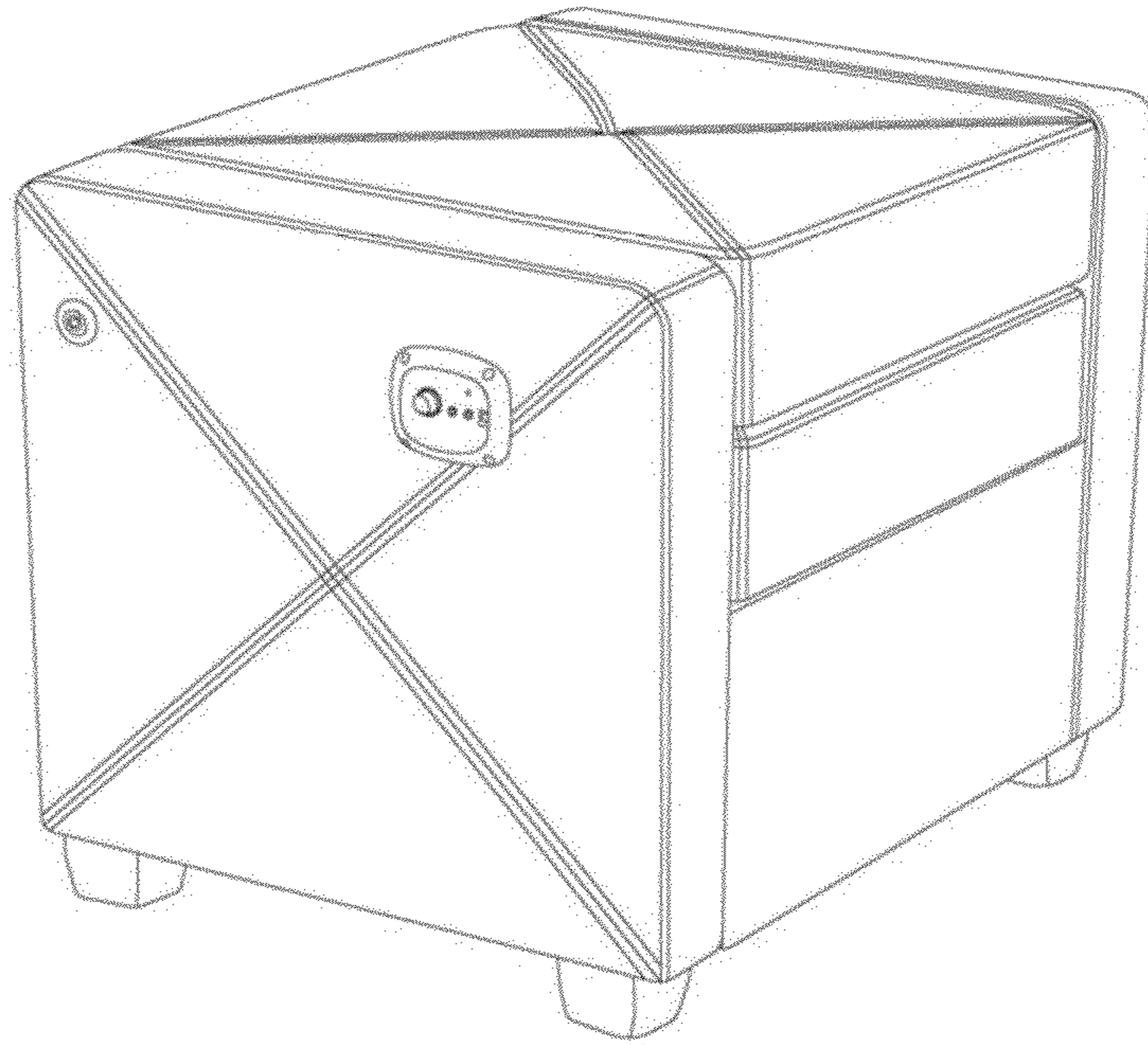


Fig. 5

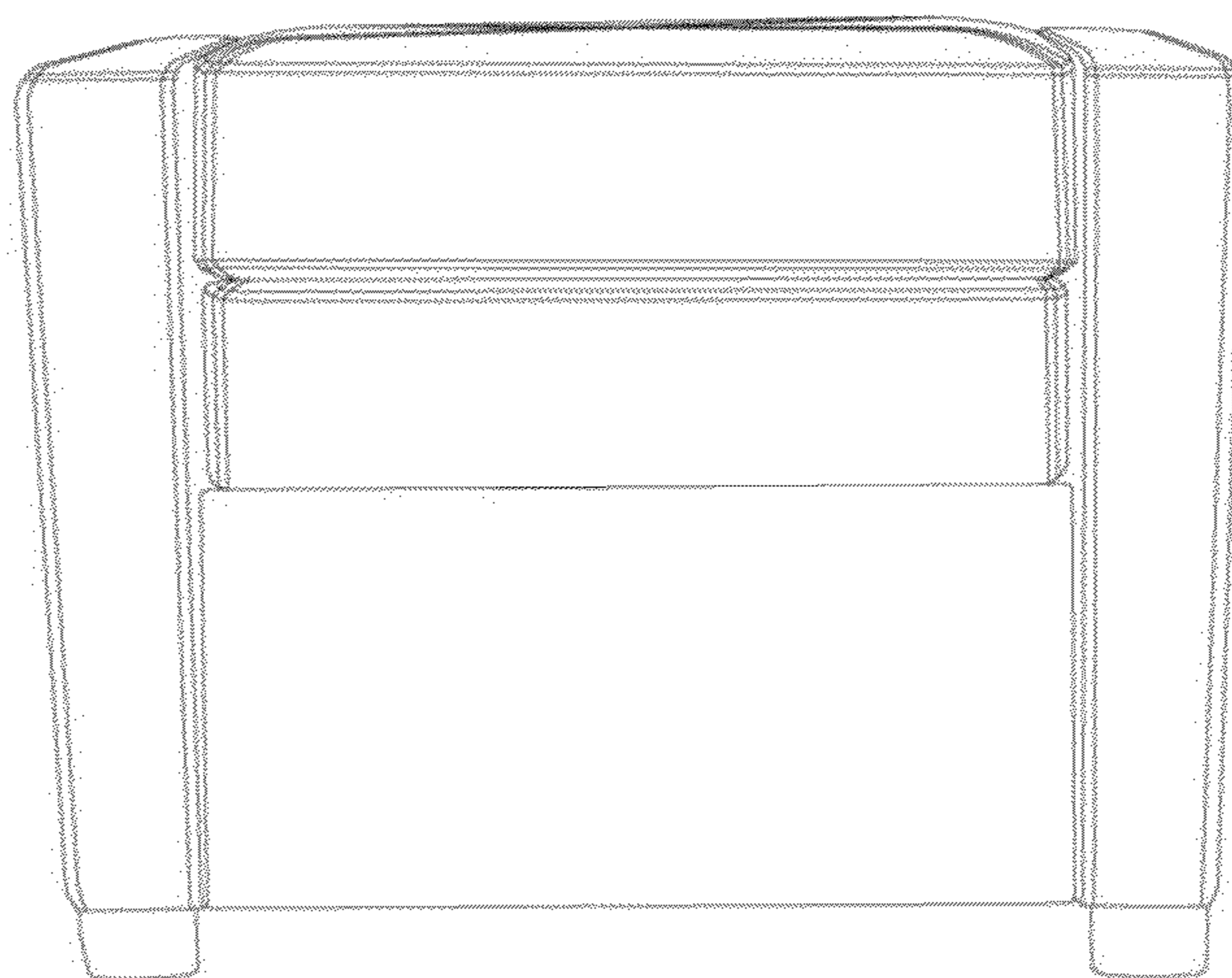


Fig. 6

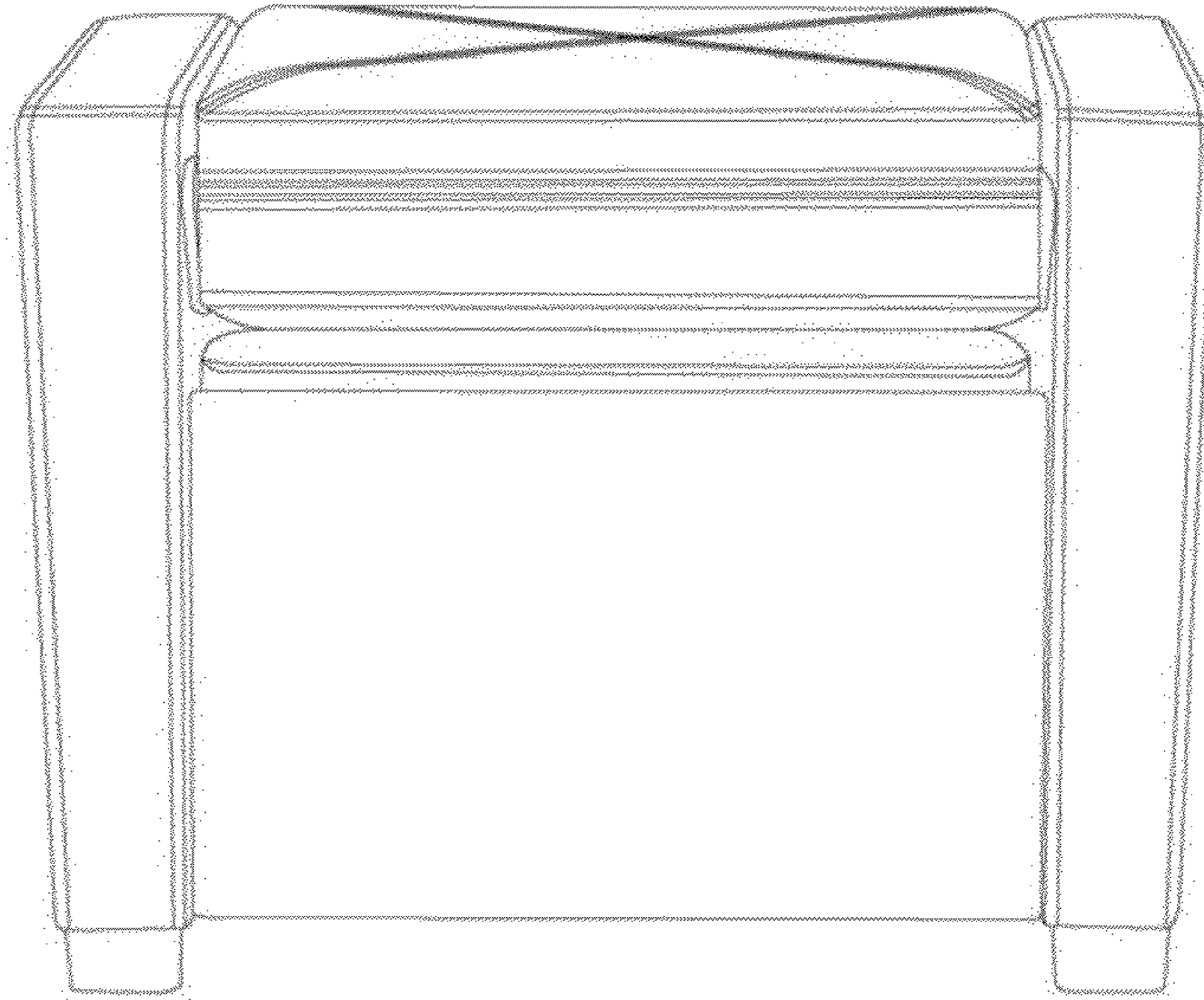


Fig. 7

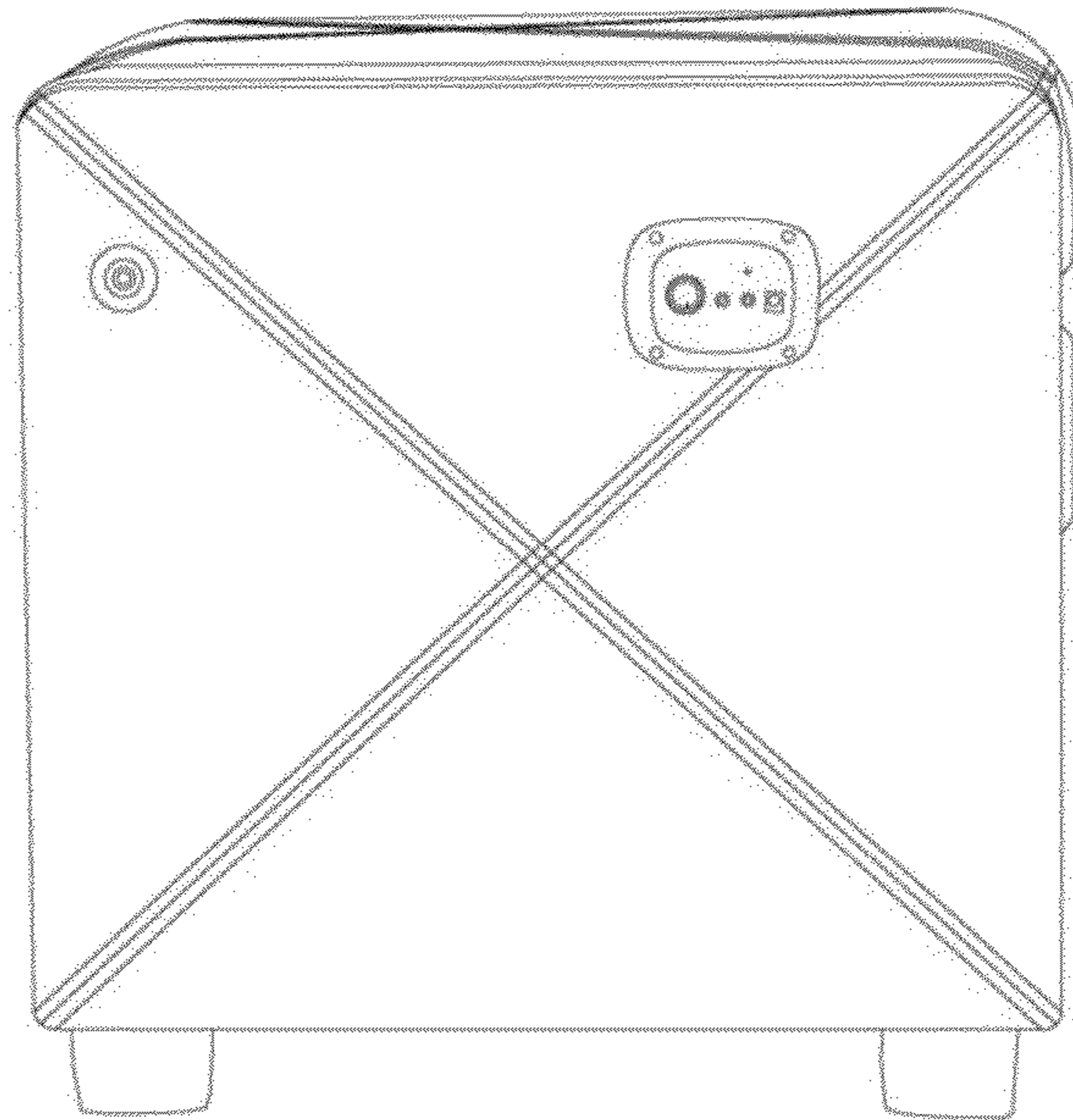


Fig. 8