



US00D699037S

(12) **United States Design Patent**
Morrison

(10) **Patent No.:** **US D699,037 S**
(45) **Date of Patent:** **** Feb. 11, 2014**

(54) **SCRUB BRUSH**

(71) Applicant: **Cheneta Morrison**, Greenwood, IN
(US)

(72) Inventor: **Cheneta Morrison**, Greenwood, IN
(US)

(**) Term: **14 Years**

(21) Appl. No.: **29/442,550**

(22) Filed: **Mar. 22, 2013**

(51) **LOC (10) Cl.** **04-01**

(52) **U.S. Cl.**

USPC **D4/127**; D4/129; D4/136

(58) **Field of Classification Search**

USPC D4/102, 114, 127, 129, 130, 136;
D32/45, 52; 15/104.94, 143.1, 159.1,
15/160, 180, 186-188, 197, 200, 207.2,
15/227; 401/6, 8, 268, 272, 273, 283, 286,
401/288

See application file for complete search history.

(56) **References Cited**

U.S. PATENT DOCUMENTS

436,167	A *	9/1890	Biesen	15/144.1
599,495	A *	2/1898	Durel et al.	15/143.1
1,281,660	A *	10/1918	Replogle	401/4
D104,225	S *	4/1937	Scott	D4/136
D197,762	S *	3/1964	Lussier et al.	D4/114
3,444,576	A *	5/1969	Daane	15/28
3,526,014	A	9/1970	Edwards		

D262,672	S *	1/1982	Chase et al.	D4/127
5,173,985	A	12/1992	Palmer		
D467,083	S *	12/2002	Chen	D4/127
6,811,469	B2 *	11/2004	Yamamoto et al.	451/41
D539,546	S *	4/2007	Huller	D4/127
D589,257	S *	3/2009	Van Wambeke	D4/102
7,845,043	B2	12/2010	McLogan		
7,988,539	B2 *	8/2011	Palushaj	451/353
2005/0166942	A1 *	8/2005	Owens	134/6

* cited by examiner

Primary Examiner — Melanie H Tung

Assistant Examiner — Lavone D Tabor

(74) *Attorney, Agent, or Firm* — Paul R. Martin

(57) **CLAIM**

The ornamental design for a scrub brush, as shown and described.

DESCRIPTION

FIG. 1 is perspective view of the scrub brush of my new design.

FIG. 2 is a front elevational view thereof. The rear elevational view is a mirror image thereof.

FIG. 3 is a side elevational view thereof. The opposite side elevational view is a mirror image thereof.

FIG. 4 is a top plan view thereof.

FIG. 5 is a bottom plan view thereof; and,

FIG. 6 is an enlarged perspective view from the bottom thereof.

1 Claim, 5 Drawing Sheets

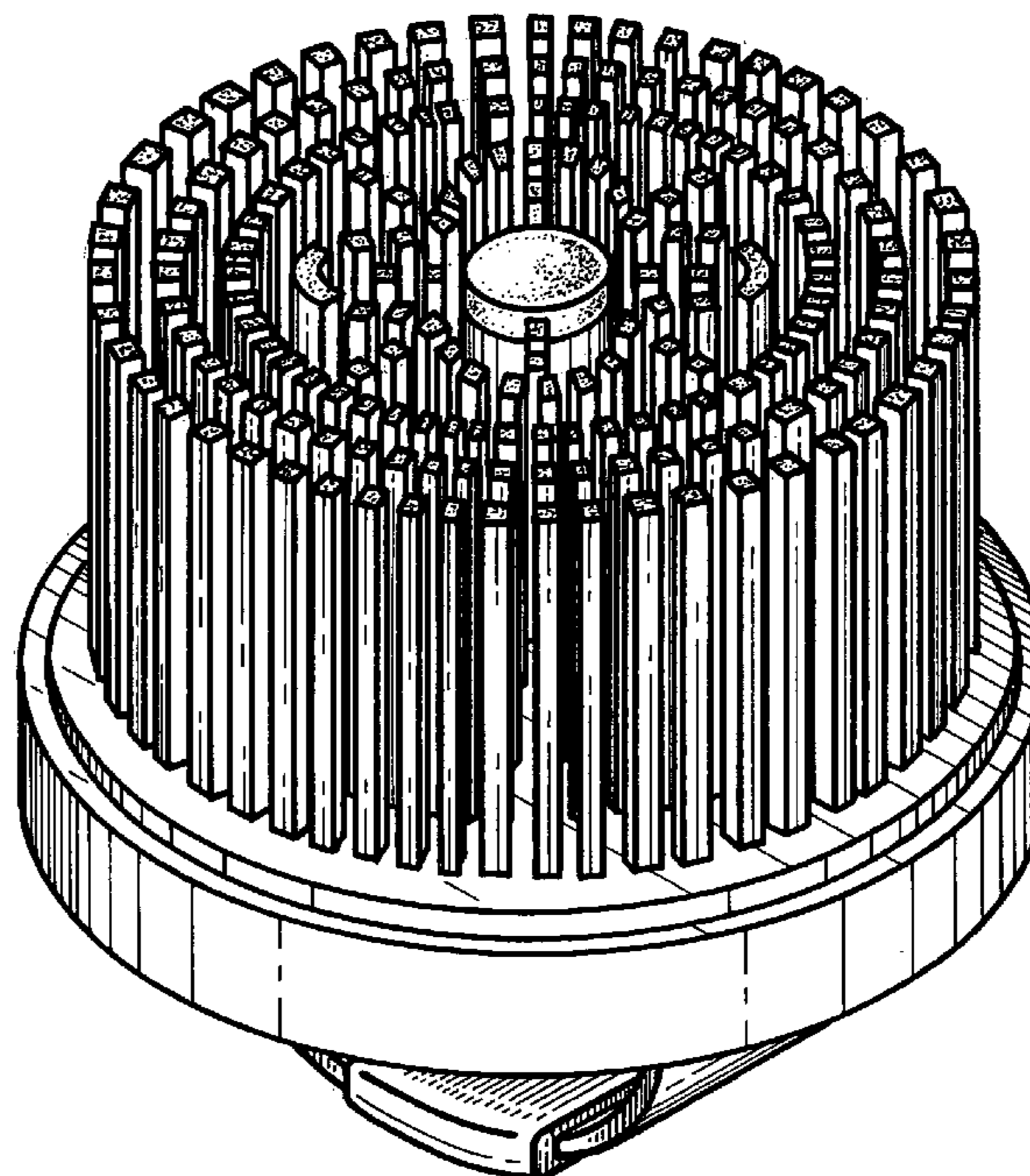
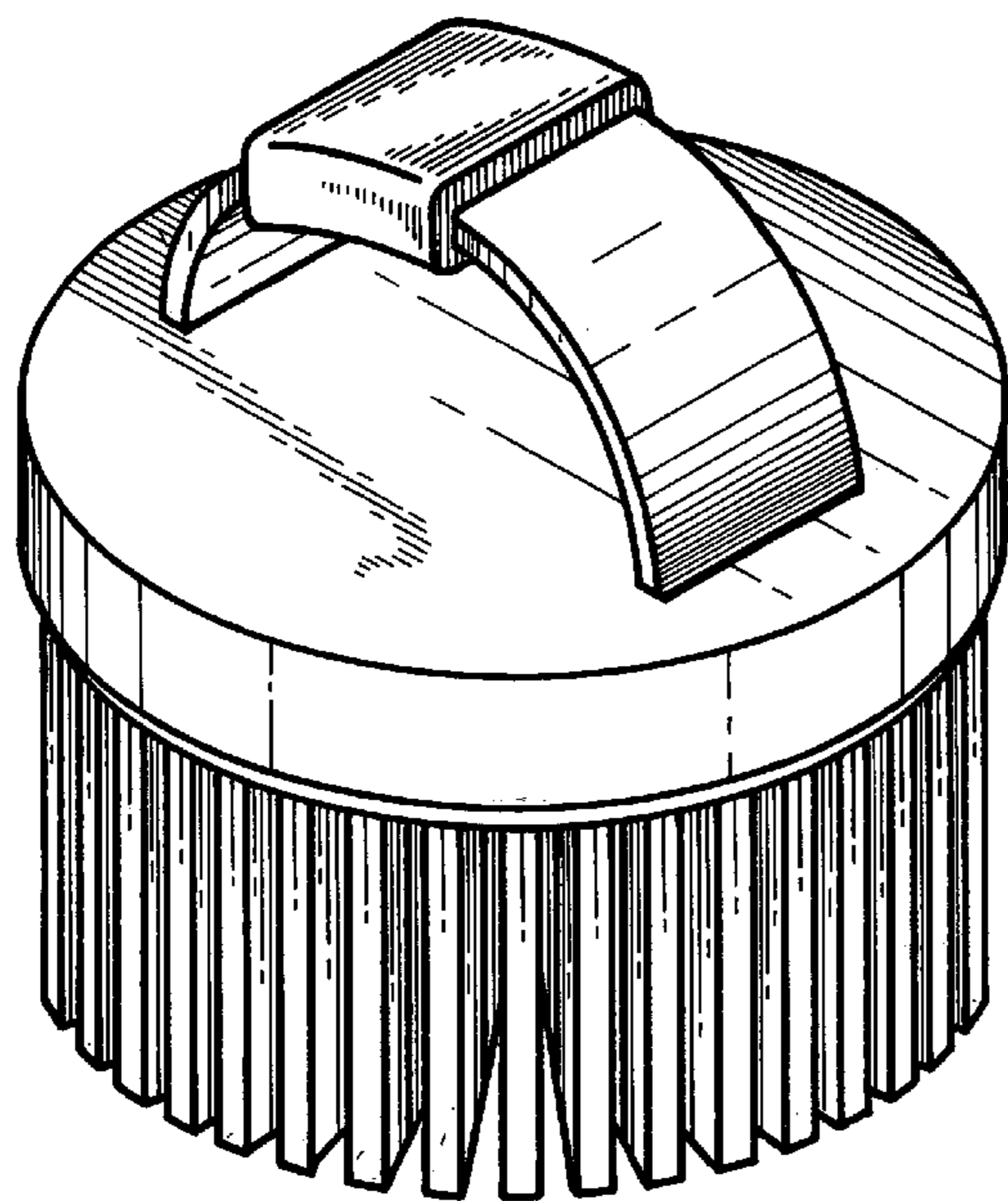


FIG. 1

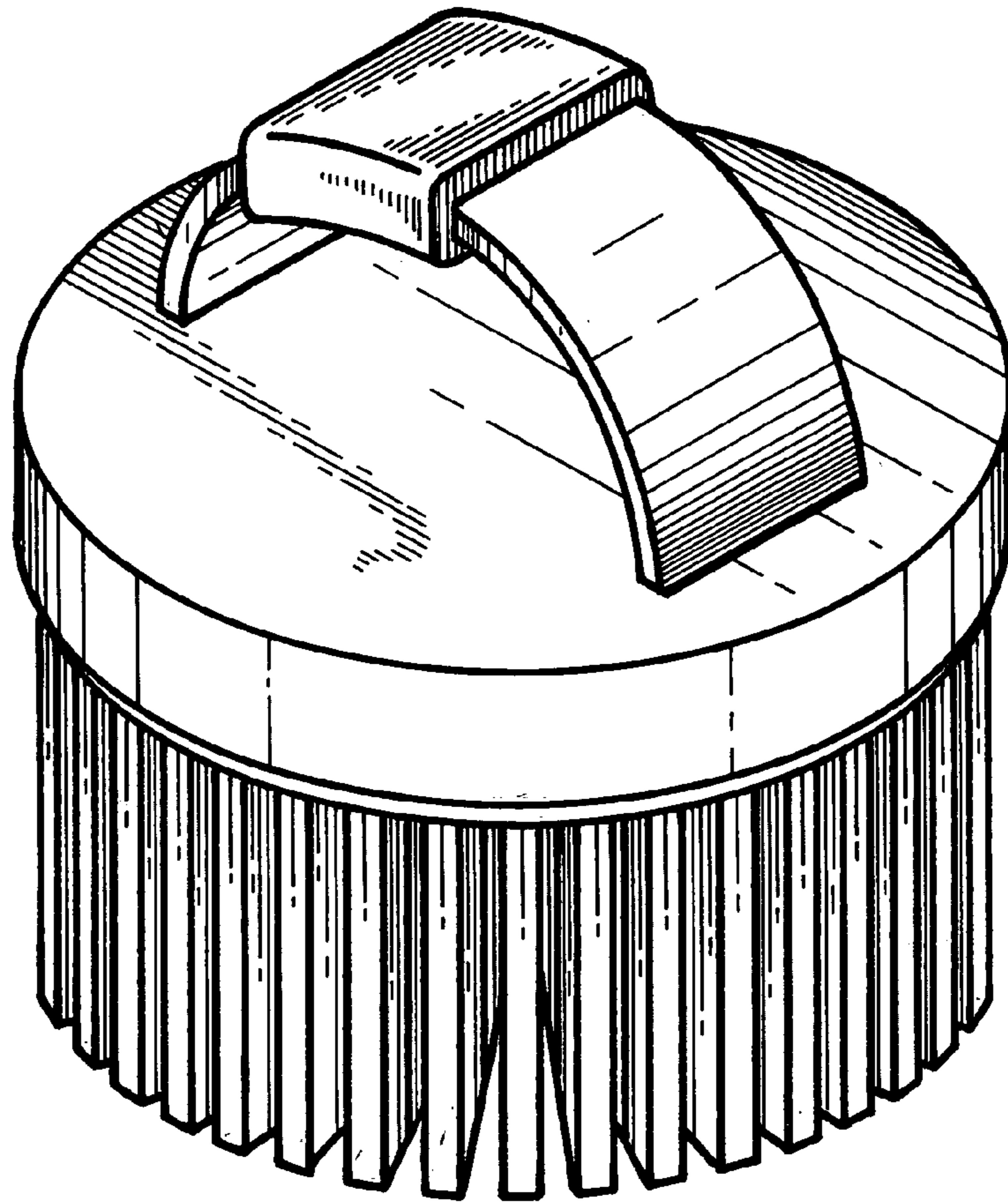


FIG. 2

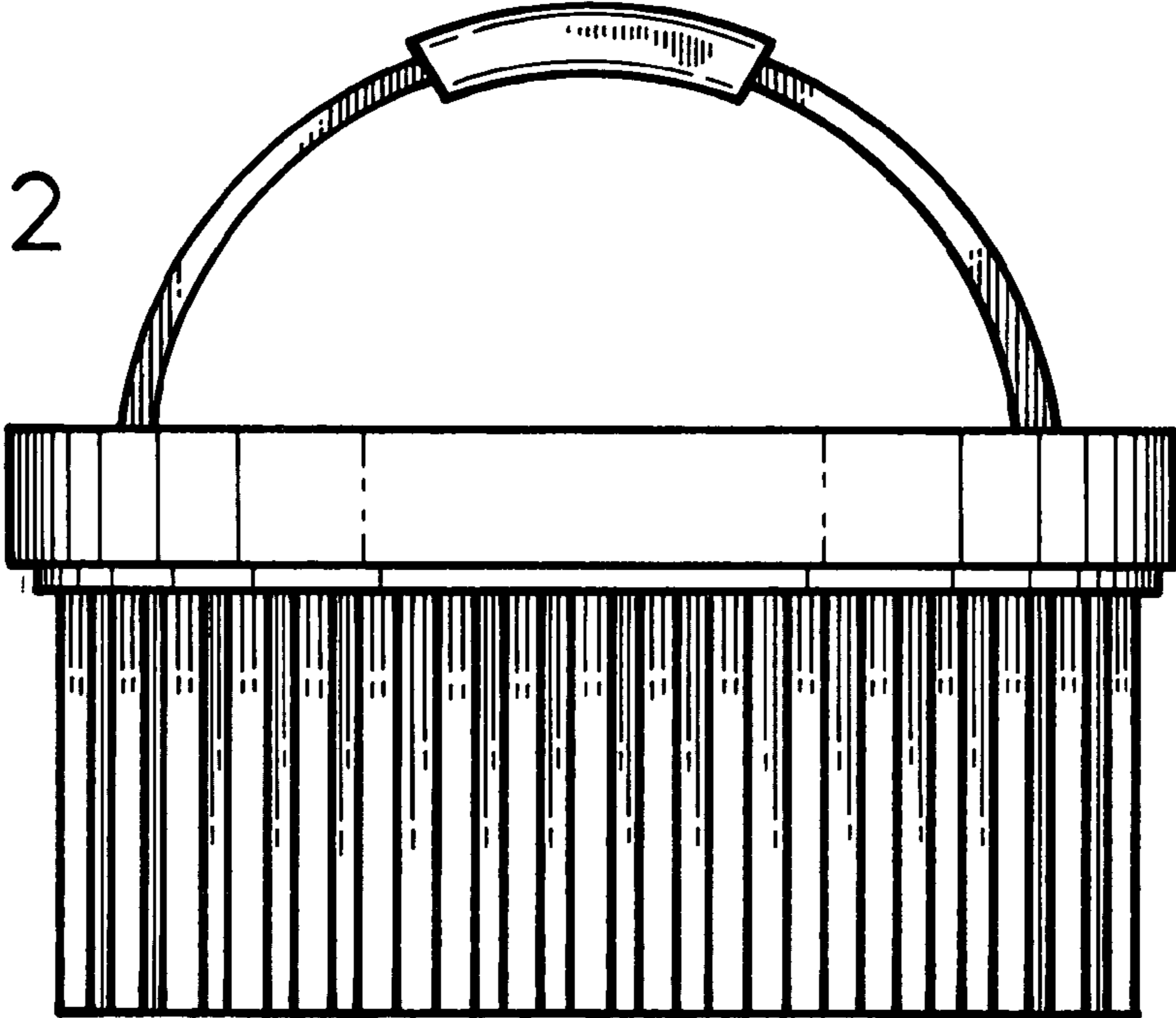
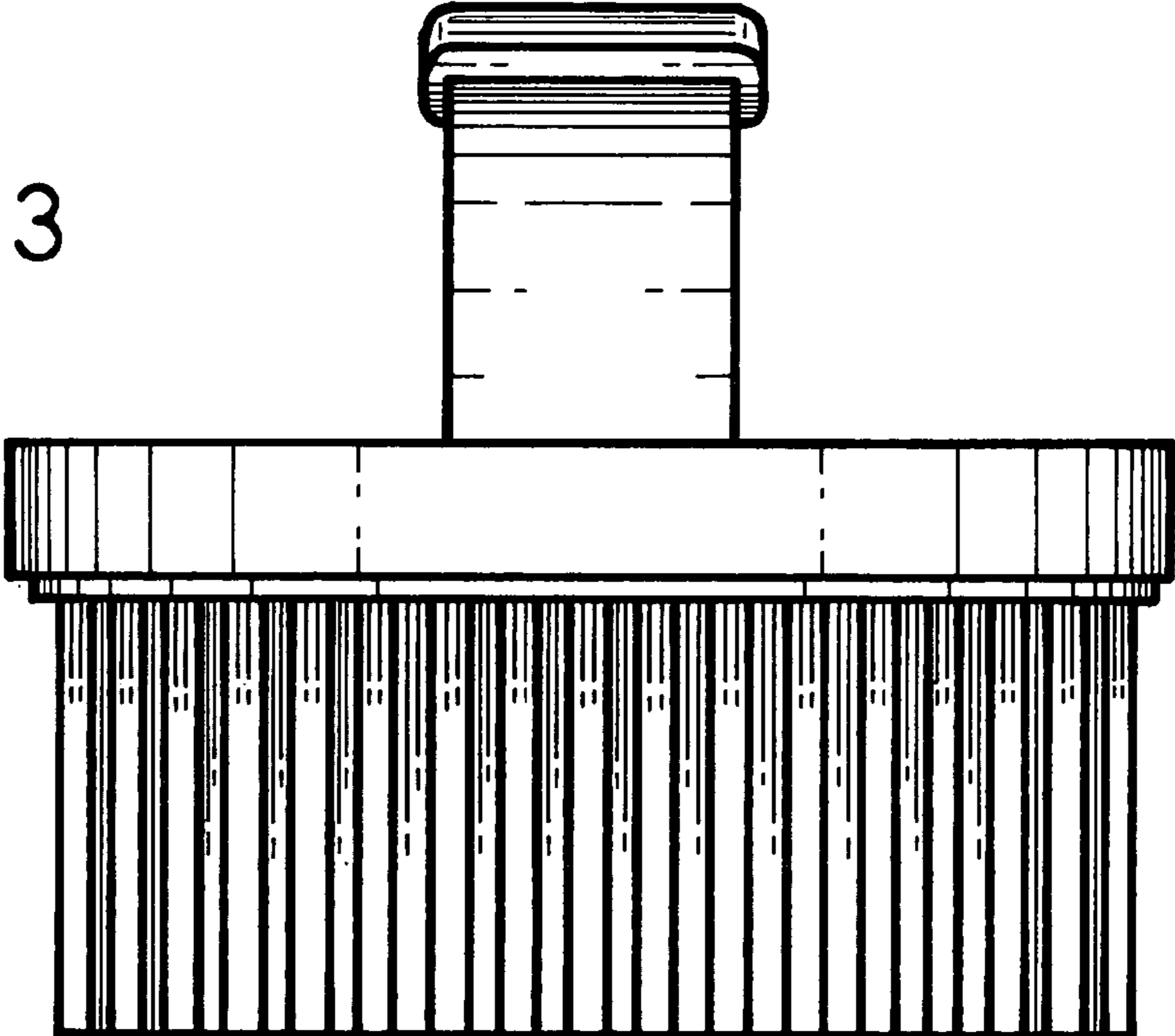


FIG. 3



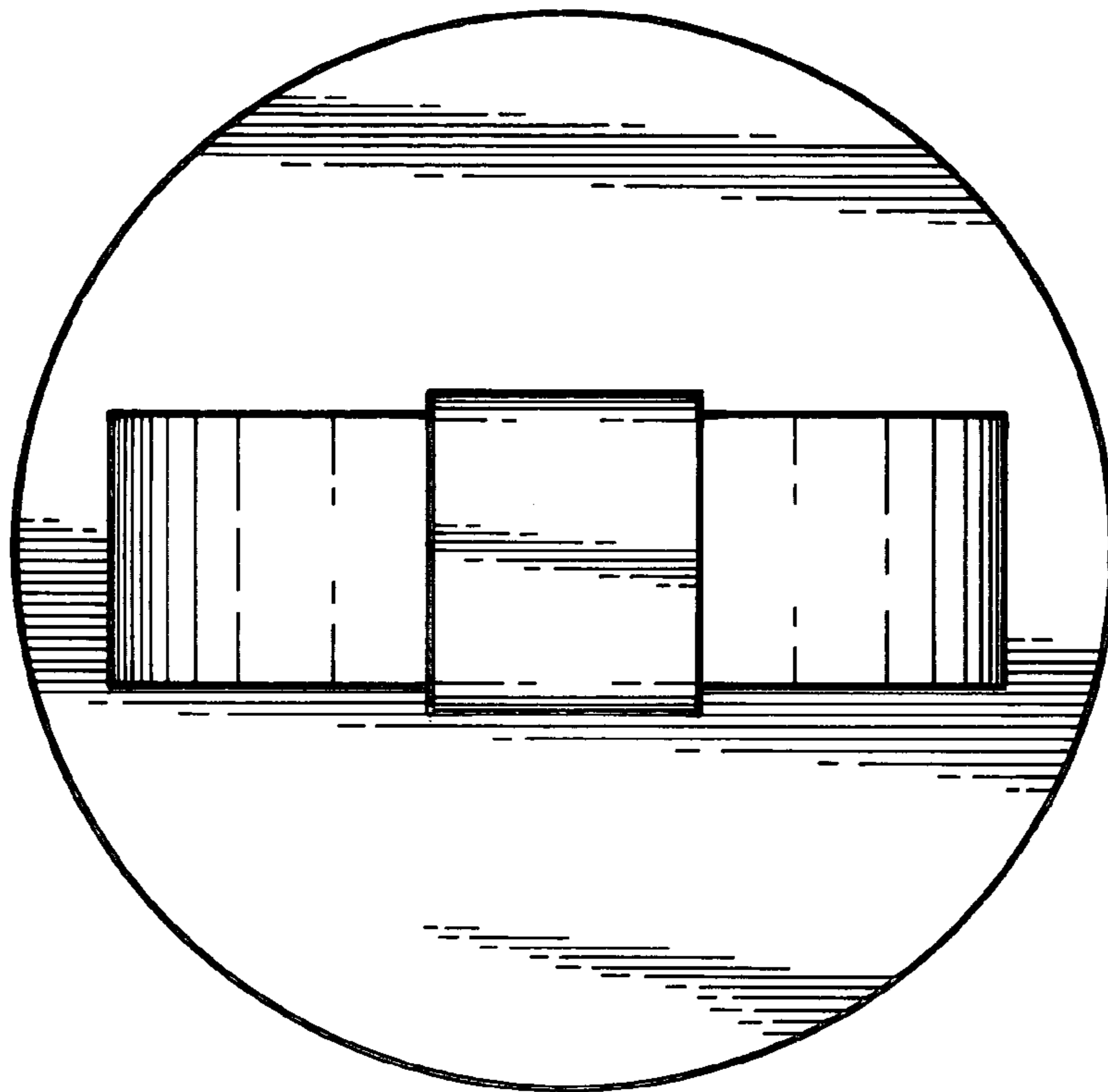


FIG. 4

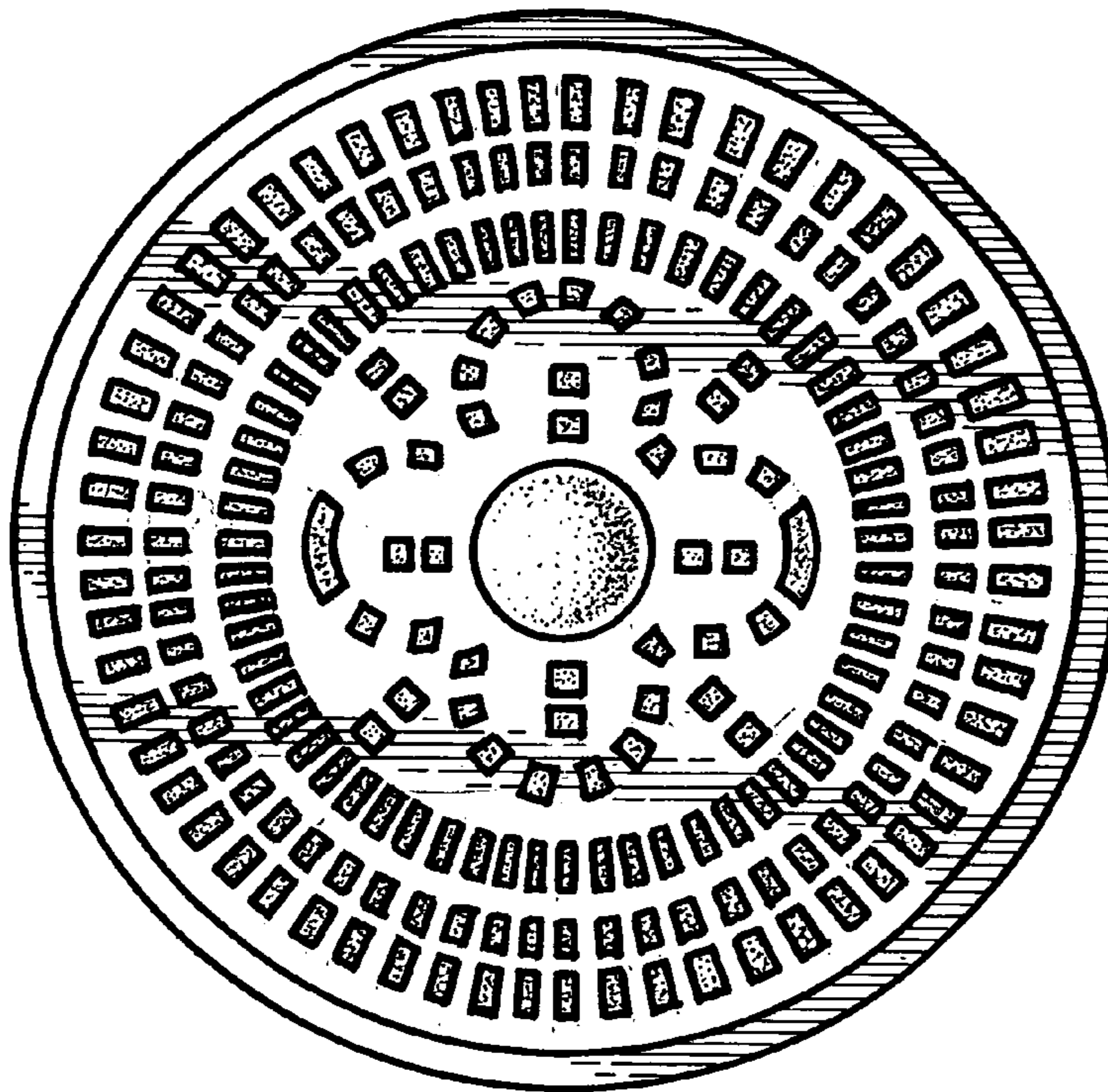


FIG. 5

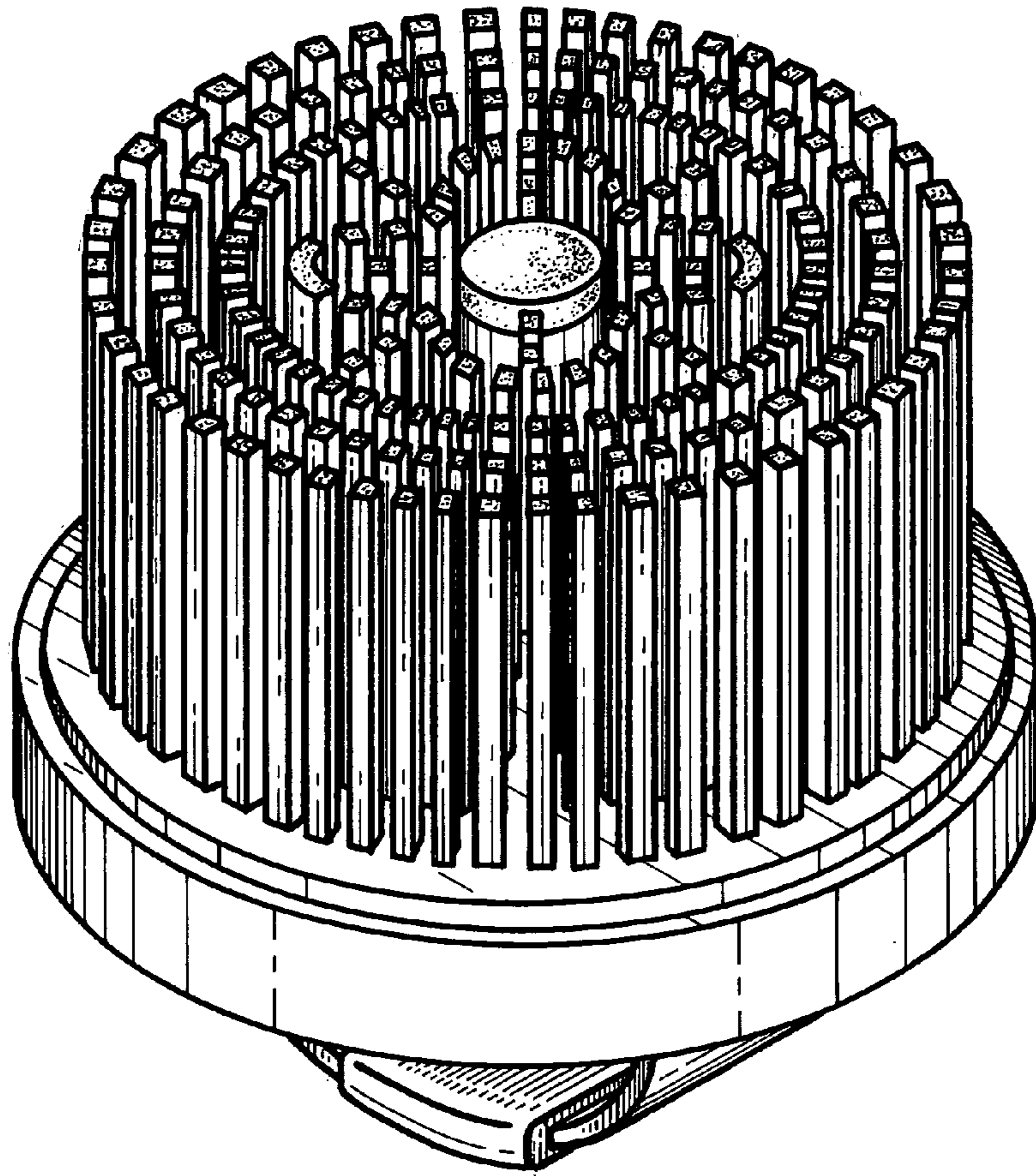


FIG. 6