



US00D699035S

(12) **United States Design Patent**  
**Hazen**

(10) **Patent No.:** **US D699,035 S**

(45) **Date of Patent:** **\*\* Feb. 11, 2014**

(54) **WATER JUG HOLDER**

(71) Applicant: **Natalie A Hazen**, Freeland, MI (US)

(72) Inventor: **Natalie A Hazen**, Freeland, MI (US)

(\*\*) Term: **14 Years**

(21) Appl. No.: **29/463,085**

(22) Filed: **Jul. 19, 2013**

(51) **LOC (10) Cl.** ..... **03-01**

(52) **U.S. Cl.**  
USPC ..... **D3/313**

(58) **Field of Classification Search**  
USPC ..... D6/303-314, 315, 318-319; D7/550.1,  
D7/553.1, 553.2, 553.4, 554.3; 220/528,  
220/553-556, 575; 224/406, 540, 572  
See application file for complete search history.

(56) **References Cited**

**U.S. PATENT DOCUMENTS**

3,312,436	A	4/1967	Beghetto	
D288,411	S	2/1987	Castellanet	
4,681,219	A	7/1987	Kitchens	
D320,717	S	10/1991	O'Brien	
5,337,984	A	8/1994	Houck	
D353,082	S	12/1994	Keven	
D353,232	S	12/1994	Chrisco	
D378,734	S *	4/1997	Hardy et al.	D9/425
D402,411	S *	12/1998	Radler	D28/61
5,975,342	A	11/1999	Bradeen	
D430,013	S *	8/2000	Shurtleff et al.	D9/749
D434,276	S *	11/2000	Obra	D7/555
D444,302	S *	7/2001	Jones	D3/315
D465,417	S *	11/2002	Apps	D9/456
D491,697	S	6/2004	Tsengas	

D561,025	S *	2/2008	Gilfert	D9/456
D590,715	S *	4/2009	Gilfert	D9/456
D592,911	S	5/2009	Buchaman	
D606,422	S *	12/2009	Schmidt	D9/758
D634,619	S *	3/2011	Fisher	D9/425
D642,937	S *	8/2011	Birchmeier et al.	D9/760
D646,442	S	10/2011	Chance	
D650,639	S *	12/2011	Freese et al.	D7/620
D663,981	S *	7/2012	Purcell et al.	D6/525
D668,297	S *	10/2012	Tello	D19/75
D672,209	S *	12/2012	Lion et al.	D7/629
2004/0031895	A1	2/2004	Langhoff	
2010/0102073	A1	4/2010	Henrie	

\* cited by examiner

*Primary Examiner* — Kelley Donnelly

(74) *Attorney, Agent, or Firm* — Mitchell Intellectual Property Law, PLLC

(57) **CLAIM**

The ornamental design for a water jug holder, as shown and described.

**DESCRIPTION**

FIG. 1 is a perspective view of a water jug holder showing my design.

FIG. 2 is a top plane view of the water jug holder of FIG. 1

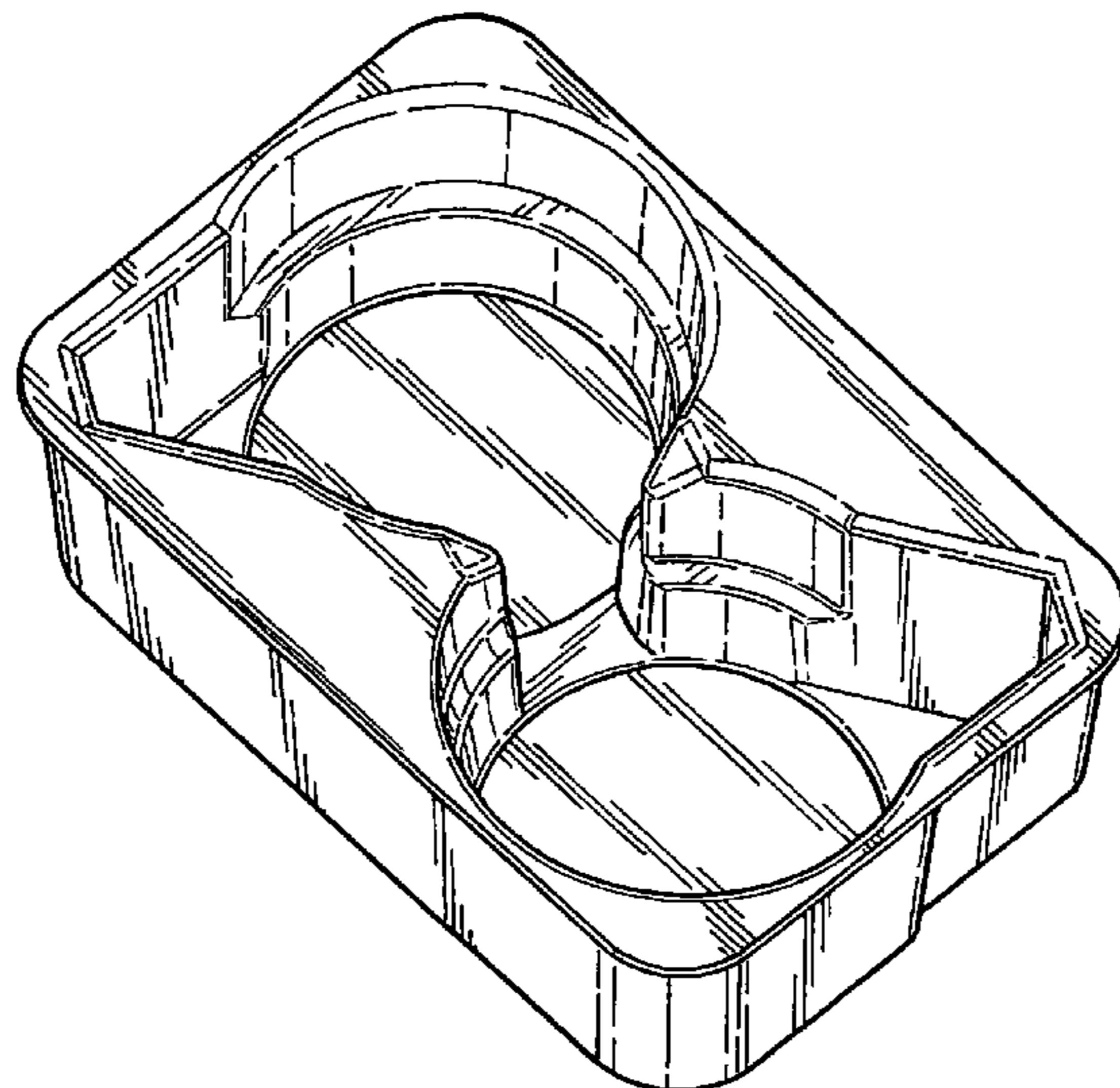
FIG. 3 is a bottom plane view of the water jug holder of FIG. 1

FIG. 4 is a front plane elevation view of the water jug holder of FIG. 1

FIG. 5 is a right side elevation view of the water jug holder of FIG. 1; and,

FIG. 6 is a perspective view including two water jugs placed in the water jug holder of FIG. 1.

**1 Claim, 3 Drawing Sheets**



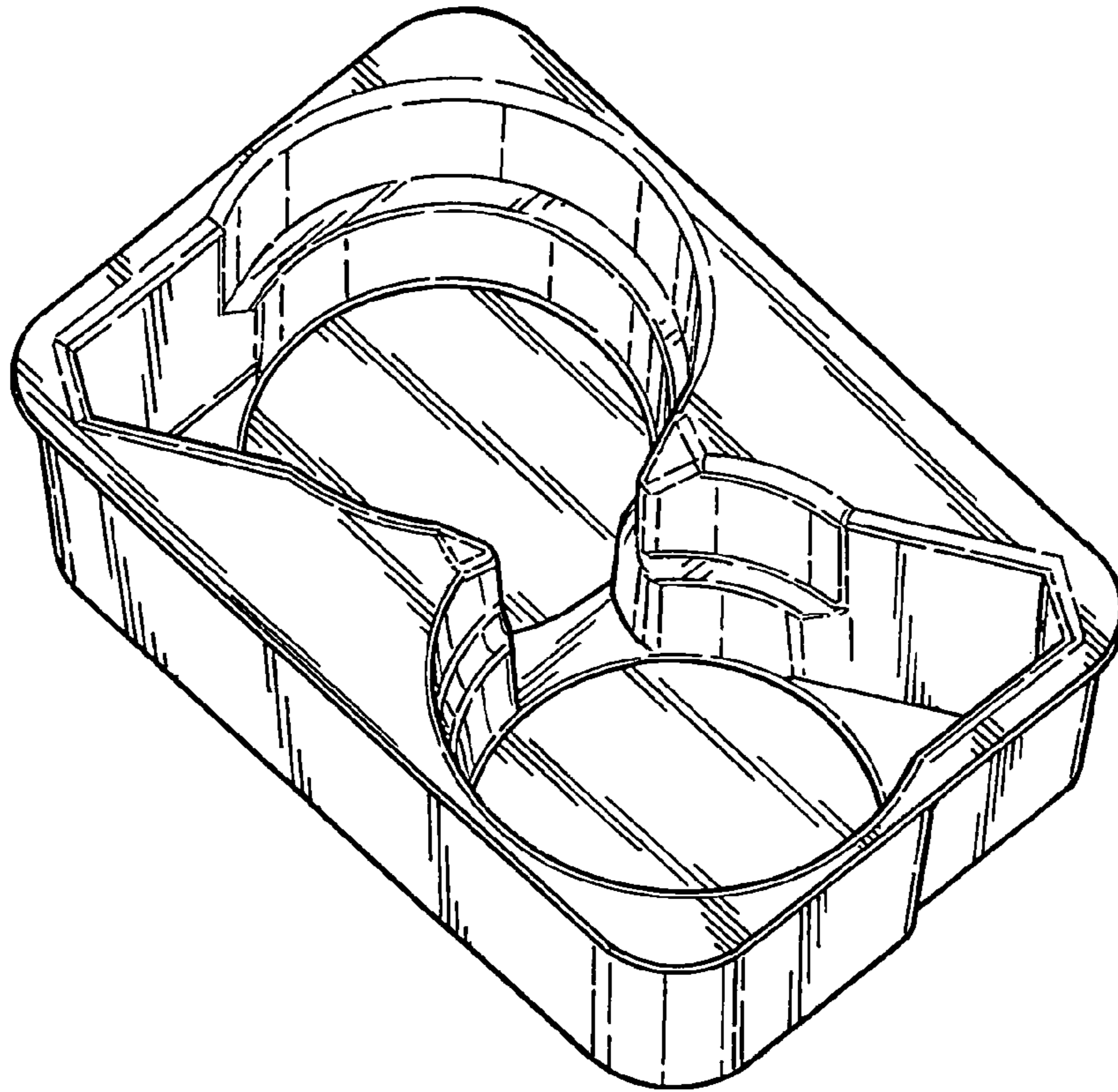


FIG. 1

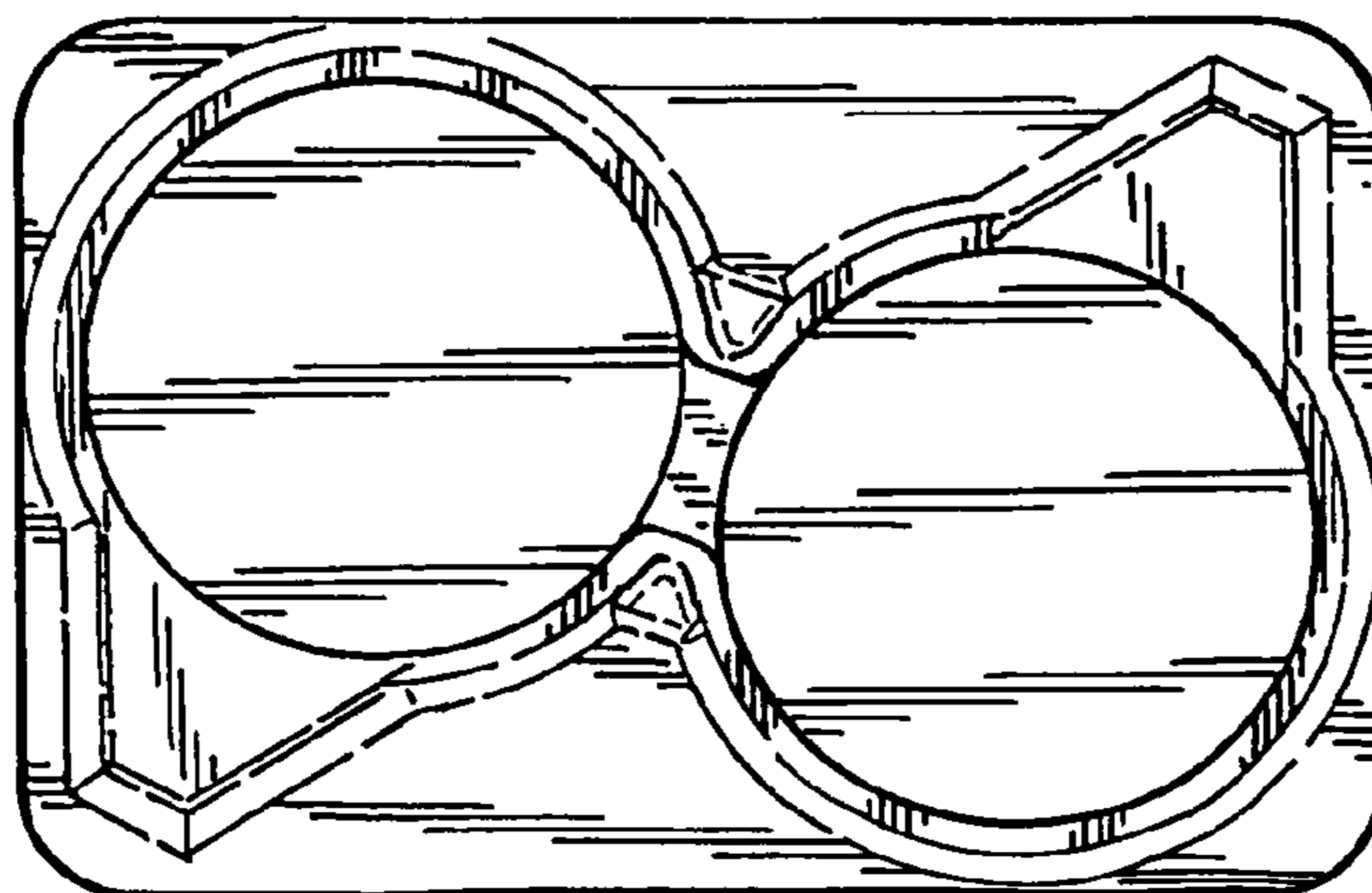


FIG. 2



FIG.3

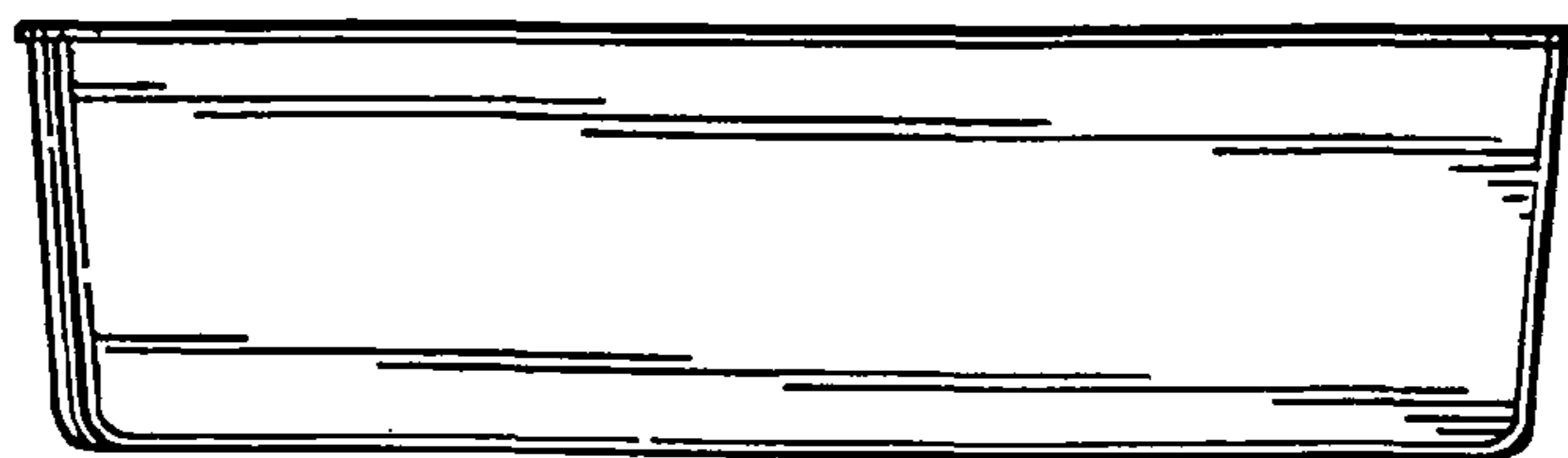


FIG.4

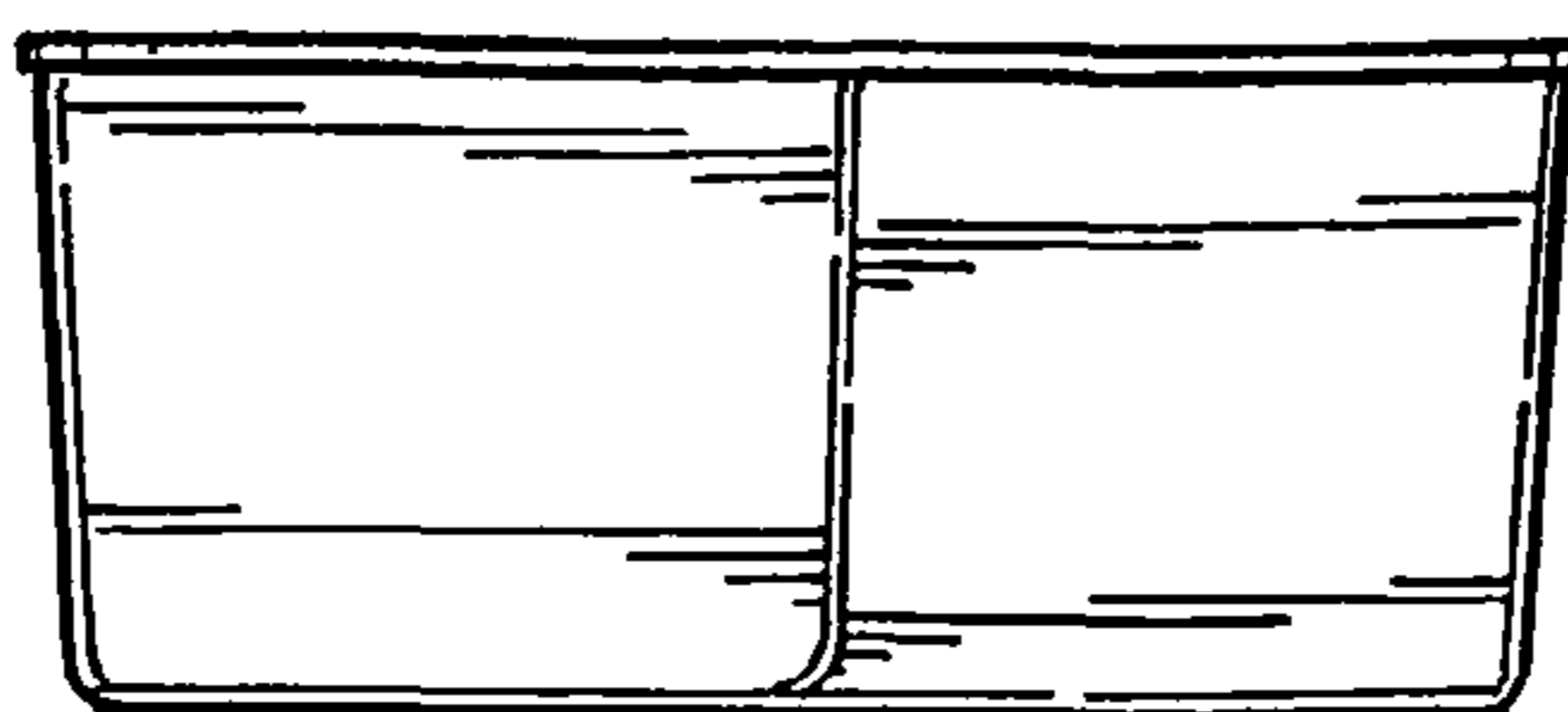


FIG.5

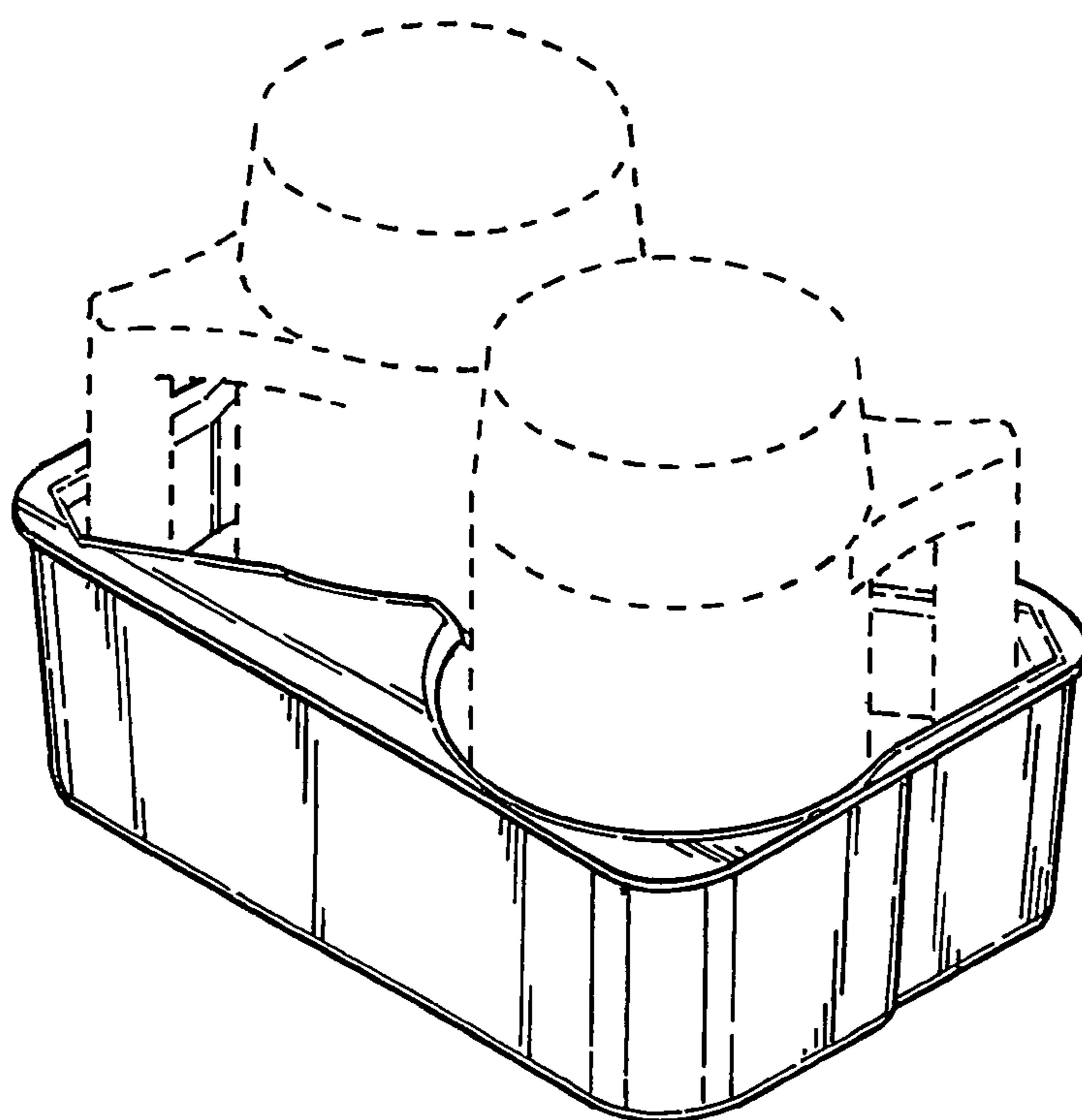


FIG.6