

US00D699034S

(12) **United States Design Patent**
Engert

(10) **Patent No.:** **US D699,034 S**

(45) **Date of Patent:** **** Feb. 11, 2014**

- (54) **TRANSPORT AND STOCKING BOX**
- (71) Applicant: **Franziska Engert**, Lauda-Koenigshofen (DE)
- (72) Inventor: **Franziska Engert**, Lauda-Koenigshofen (DE)
- (73) Assignee: **Wuerth Industrie Service GmbH & Co.KG**, Bad Mergentheim (DE)
- (**) Term: **14 Years**
- (21) Appl. No.: **29/445,820**
- (22) Filed: **Feb. 16, 2013**

D301,927	S	*	6/1989	Williams, Jr.	D3/304
D304,120	S	*	10/1989	Buchanan et al.	D3/294
D327,560	S	*	6/1992	Hradisky	D3/307
D341,461	S	*	11/1993	Davidson et al.	D3/312
D409,387	S	*	5/1999	Yemini	D3/307
D448,567	S	*	10/2001	Buss	D3/310
D467,734	S	*	12/2002	Taylor et al.	D3/318
D517,319	S	*	3/2006	Wisnoski et al.	D3/304
D538,539	S	*	3/2007	Richardson et al.	D3/314
D606,313	S	*	12/2009	Neilsen	D3/304
D621,619	S	*	8/2010	Ripoll	D3/304
D635,770	S	*	4/2011	Kobilarcik et al.	D3/304
D639,560	S	*	6/2011	Brown et al.	D3/304
D648,535	S	*	11/2011	Reinhart et al.	D3/302
D663,525	S	*	7/2012	Rhoades et al.	D3/314
D666,829	S	*	9/2012	Liao	D3/304
D673,297	S	*	12/2012	Hawker	D24/227
2009/0178989	A1	*	7/2009	Accuardi	211/126.7

* cited by examiner

- (30) **Foreign Application Priority Data**
- Sep. 21, 2012 (EM) 002107375-0001
- (51) **LOC (10) Cl.** **03-01**
- (52) **U.S. Cl.**
- USPC **D3/304**
- (58) **Field of Classification Search**
- USPC D3/201, 203.1-203.3, 304-315;
D6/525; D19/75, 77, 86, 90, 92, 100;
206/203, 214-215, 822, 307.1;
229/100, 913-914, 406
- See application file for complete search history.

Primary Examiner — Kelley Donnelly

(74) *Attorney, Agent, or Firm* — Andrew Wilford

- (56) **References Cited**
- U.S. PATENT DOCUMENTS
- D191,144 S * 8/1961 Schanz D3/307
- 3,534,866 A * 10/1970 Asenbauer 211/126.2
- D242,659 S * 12/1976 Clipson et al. D3/307
- D246,872 S * 1/1978 White D3/304

(57) **CLAIM**

The ornamental design for a transport and stocking box, as shown and described.

DESCRIPTION

FIG. 1 is a front perspective view of the transport and stocking box in an open position shown with a removable flap;

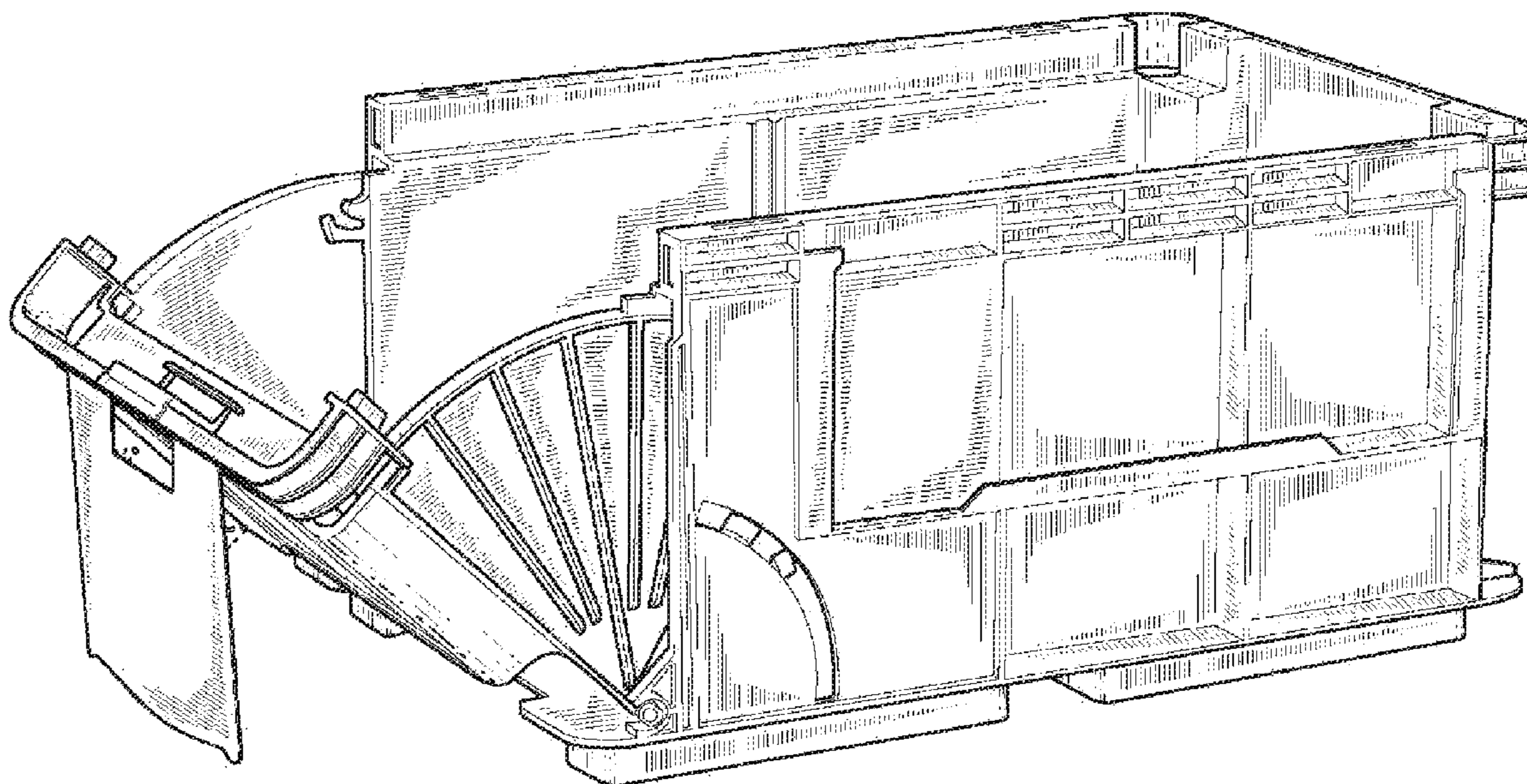
FIG. 2 is a front perspective view thereof shown in a closed position with the flap removed;

FIG. 3 is a top perspective view of FIG. 1; and,

FIG. 4 is a right side elevational view of FIG. 2.

The broken lines are for the purpose of illustrating the environment of the design only and form no part of the claimed design.

1 Claim, 4 Drawing Sheets



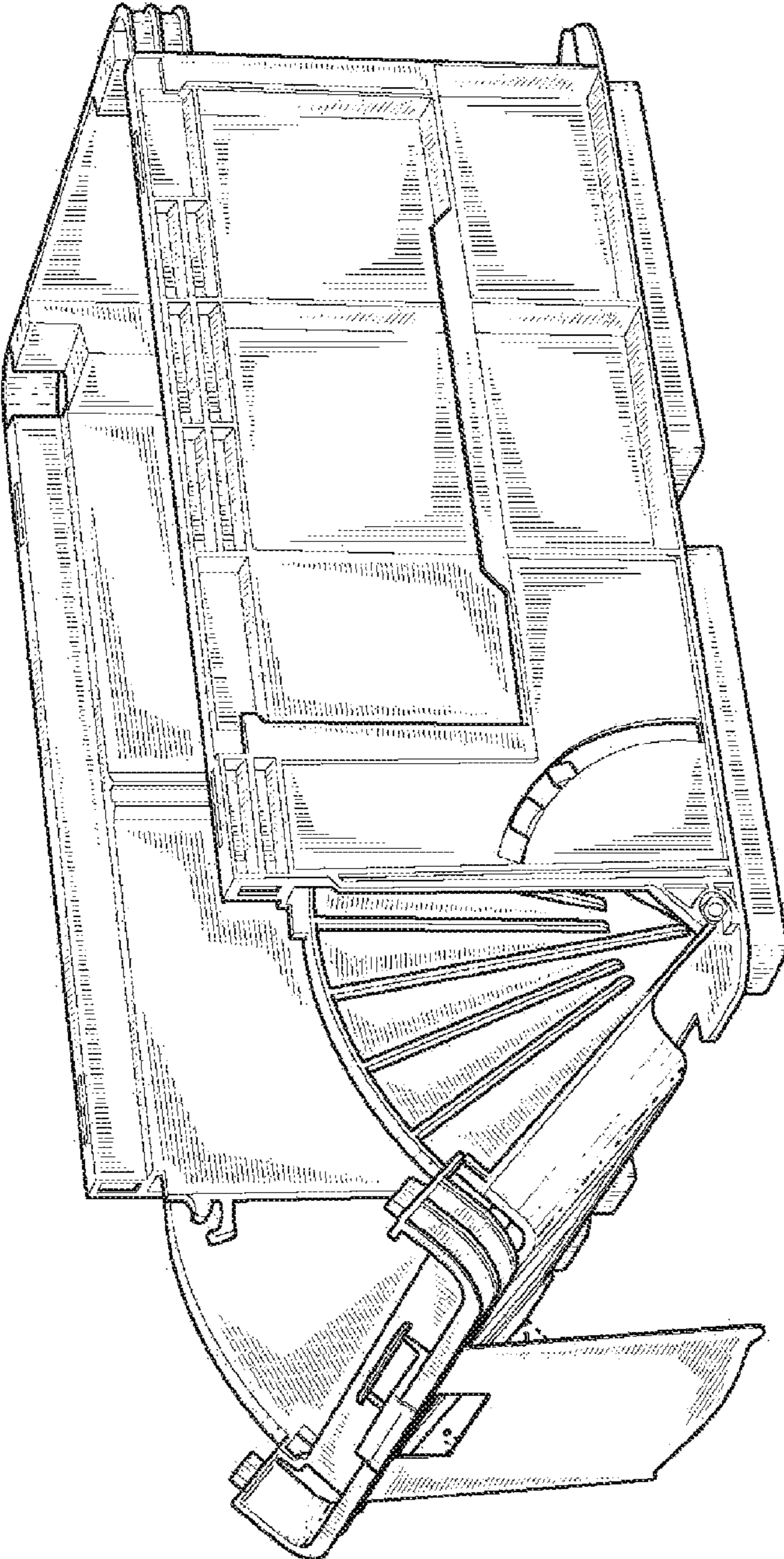


FIG. 1

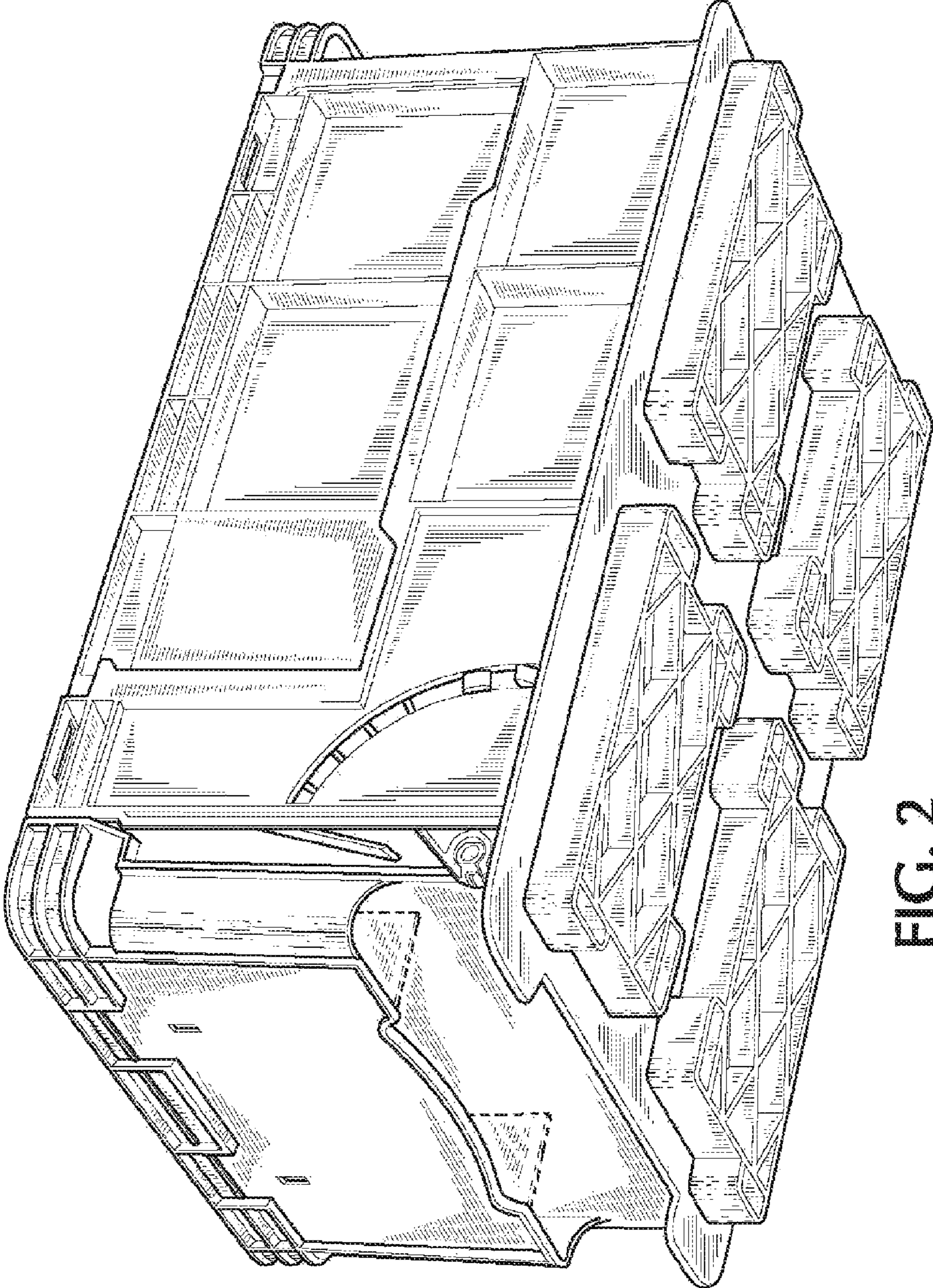


FIG. 2

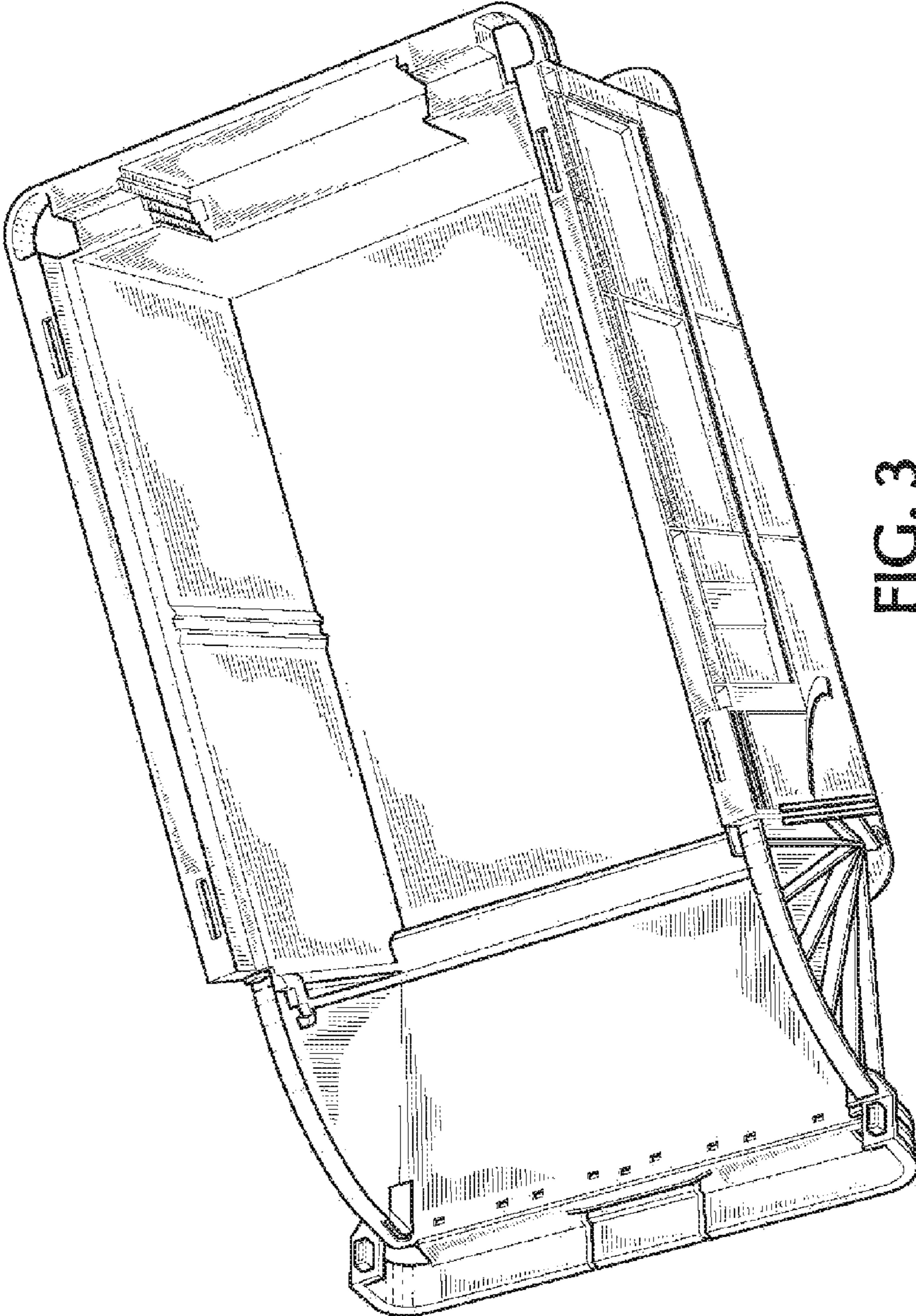


FIG. 3

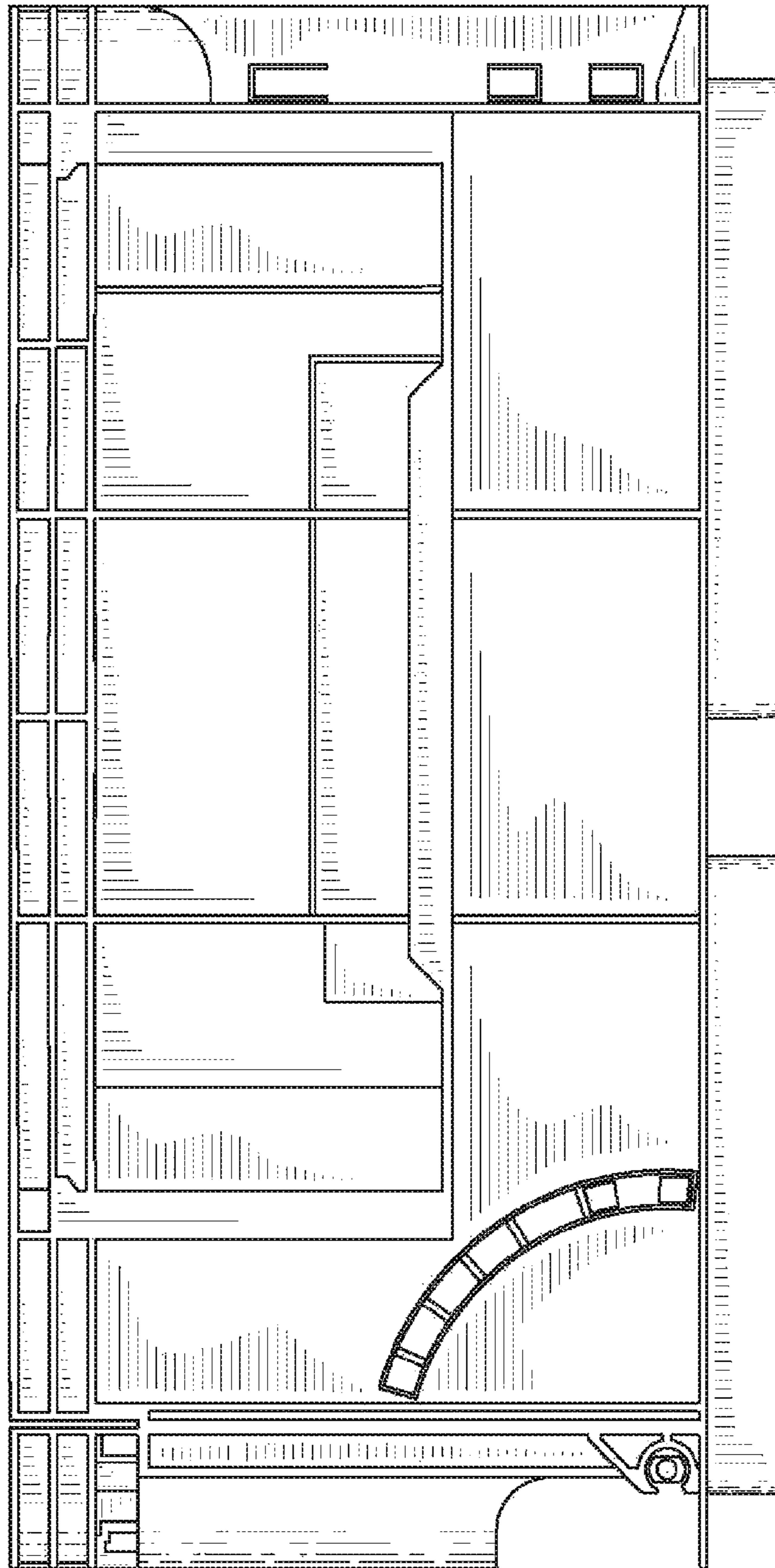


FIG. 4