



US00D699030S

(12) **United States Design Patent**
Etzler

(10) **Patent No.:** **US D699,030 S**

(45) **Date of Patent:** **** Feb. 11, 2014**

(54) **ROLL-UP PEN HOLDER**

(71) Applicant: **Alynn Etzler**, San Diego, CA (US)

(72) Inventor: **Alynn Etzler**, San Diego, CA (US)

(**) Term: **14 Years**

(21) Appl. No.: **29/445,395**

(22) Filed: **Feb. 11, 2013**

(51) **LOC (10) Cl.** **03-02**

(52) **U.S. Cl.**
USPC **D3/206; D3/299**

(58) **Field of Classification Search**
USPC D3/205, 206, 273, 299-303, 315, 23;
D34/35; 206/320, 349, 373, 581, 224,
206/362, 443, 579; 383/8, 25, 110, 39;
224/223, 904, 918, 920, 931
See application file for complete search history.

(56) **References Cited**

U.S. PATENT DOCUMENTS

847,254	A *	3/1907	Jackson	206/553
1,094,009	A *	4/1914	Parkhurst	206/373
D275,150	S *	8/1984	Haws	D3/23
4,682,691	A *	7/1987	Spiering	206/373
4,901,464	A *	2/1990	Banoun	42/95
6,070,729	A *	6/2000	Barnes	206/581
D466,686	S *	12/2002	Brookhouse	D3/206
D476,811	S *	7/2003	Brookhouse	D3/299

D500,919	S *	1/2005	MacKay	D3/20
D630,837	S *	1/2011	Ferrence et al.	D3/205
D631,244	S *	1/2011	Ferrence et al.	D3/205
D656,704	S *	3/2012	Epps	D34/35

* cited by examiner

Primary Examiner — Ian Simmons

Assistant Examiner — Charles Hanson

(74) *Attorney, Agent, or Firm* — QuickPatents; Kevin Prince

(57) **CLAIM**

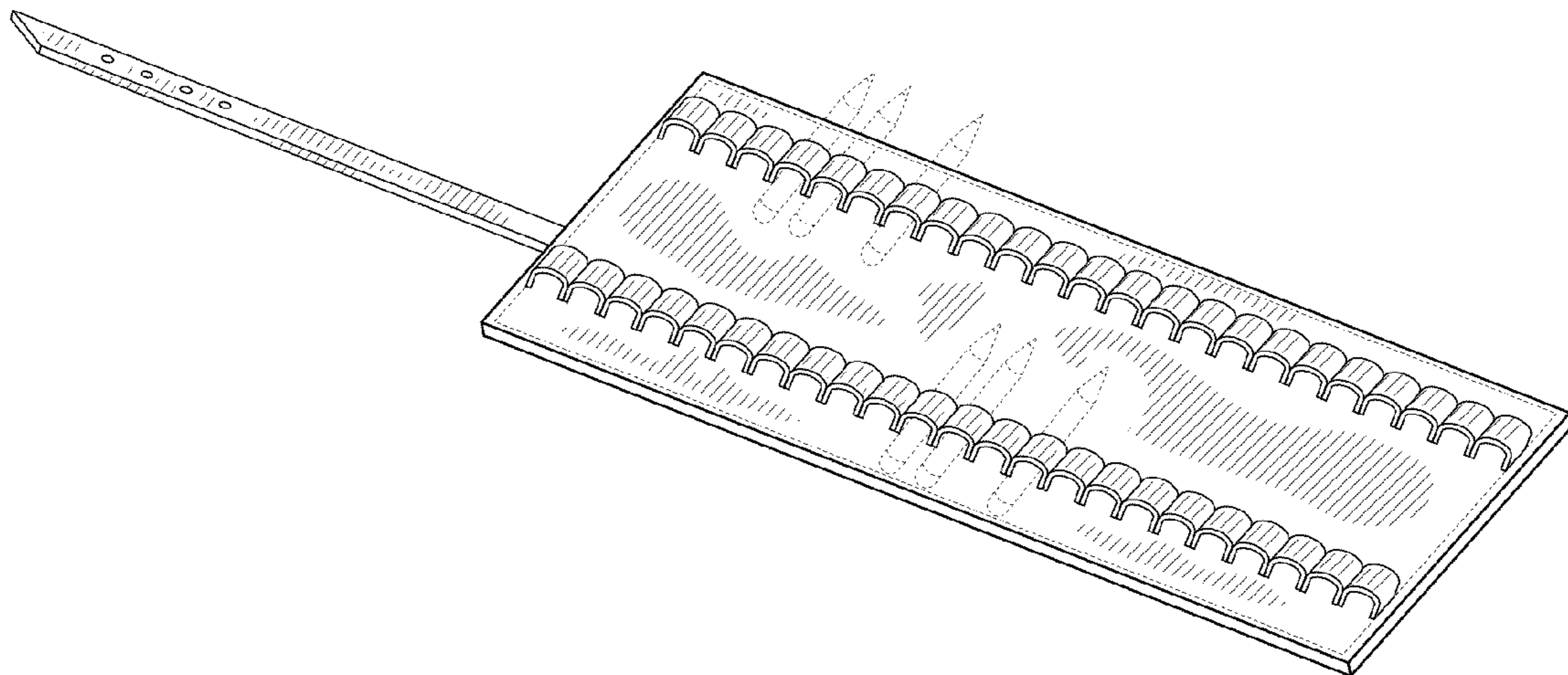
I claim the ornamental design for a roll-up pen holder, as shown and described.

DESCRIPTION

FIG. 1 is a perspective view of a roll-up pen holder, showing my new design in a flat configuration; FIG. 2 is a bottom plan view of FIG. 1; FIG. 3 is a top plan view of FIG. 1; FIG. 4 is a rear elevational view of FIG. 1; FIG. 5 is a front elevational view of FIG. 1; FIG. 6 is a top plan view of FIG. 1; FIG. 7 is a bottom plan view of FIG. 1; and, FIG. 8 is a perspective view thereof, illustrated in a rolled configuration.

The broken lines showing pens in FIGS. 1 and 8 depict environmental matter and form no part of the claimed design. The broken lines on the design depict stitching and form part of the claimed design.

1 Claim, 3 Drawing Sheets



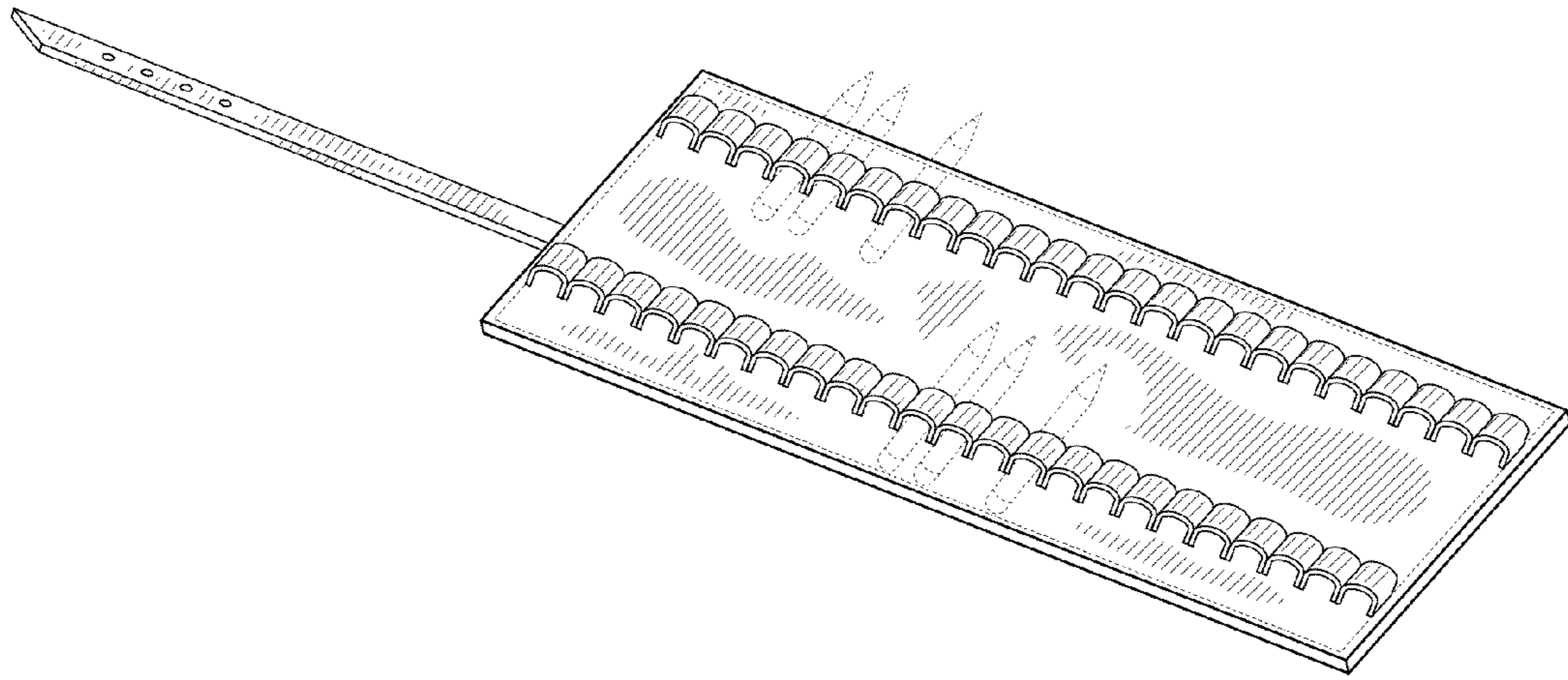


FIG. 1

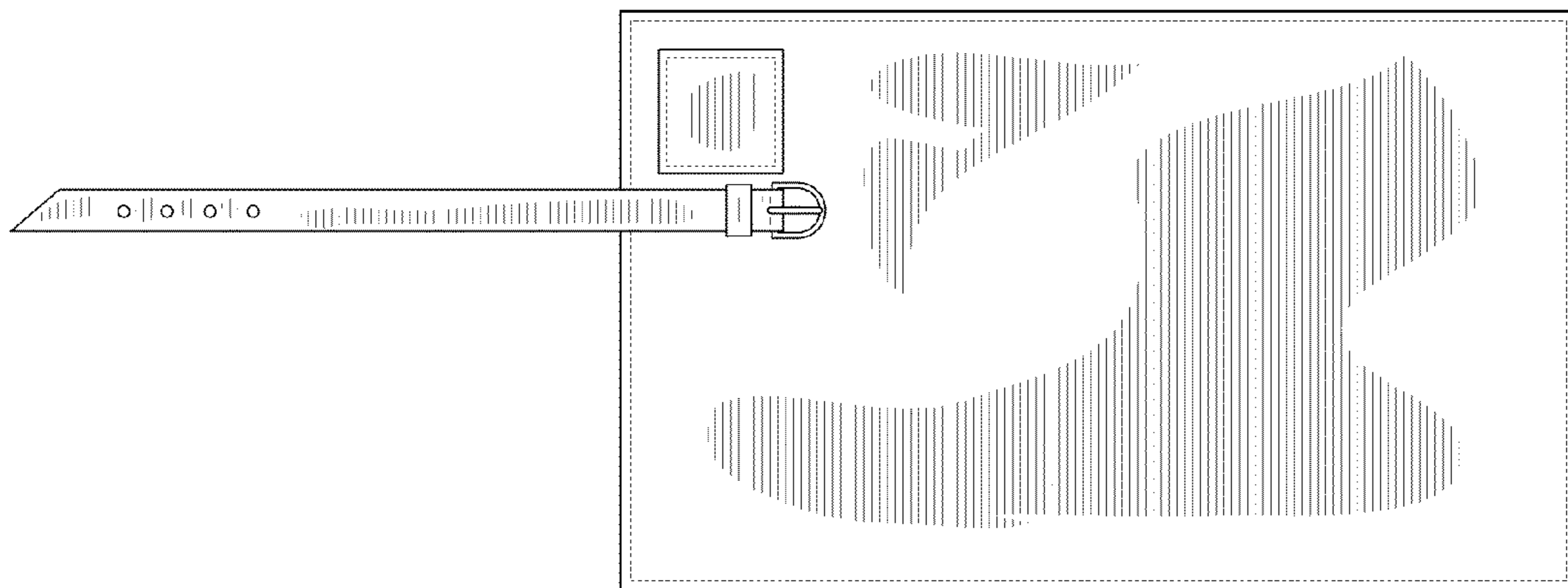


FIG. 2

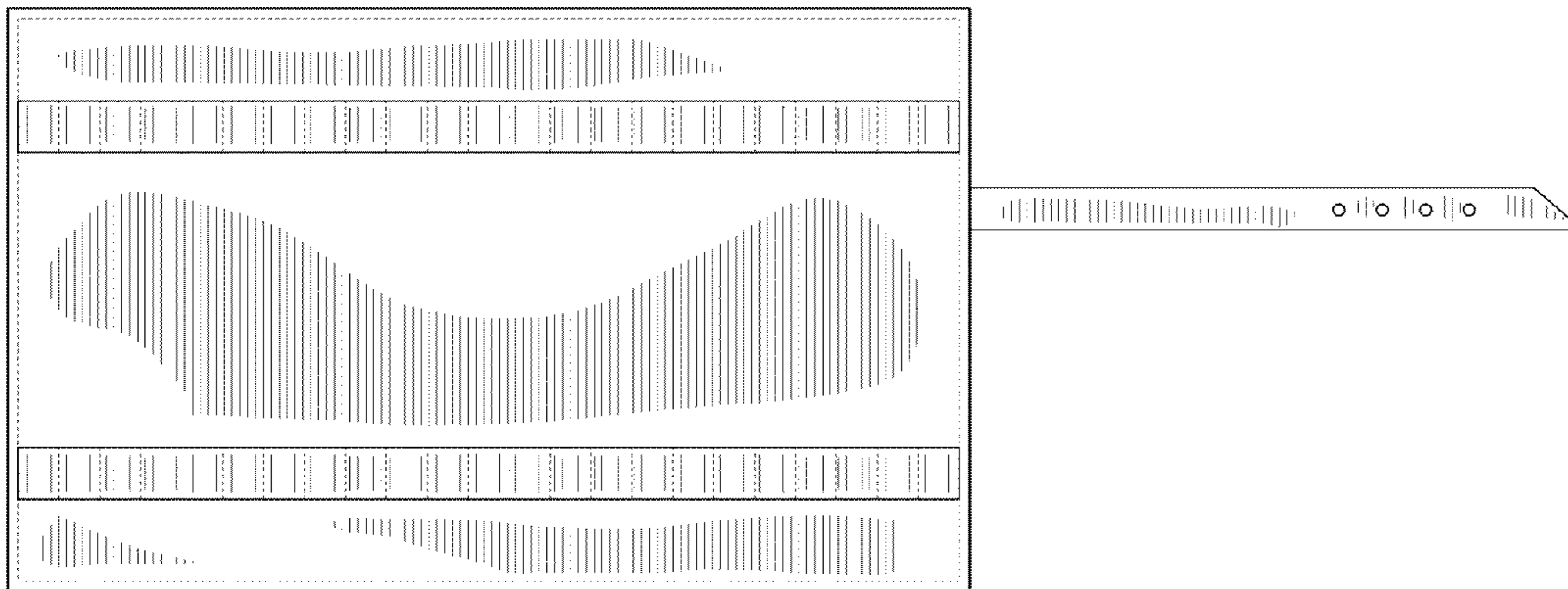


FIG. 3

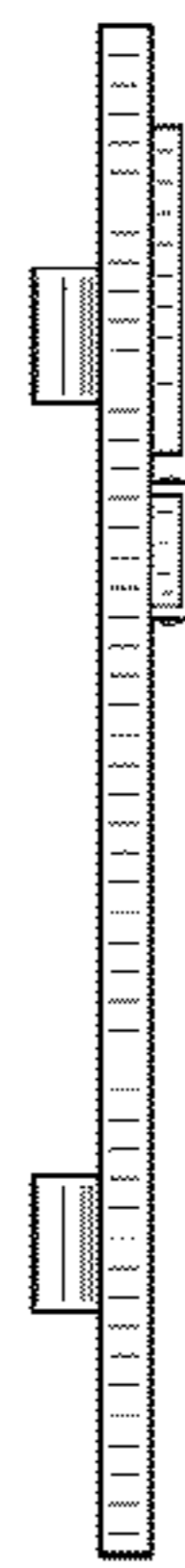


FIG. 4



FIG. 5



FIG. 6

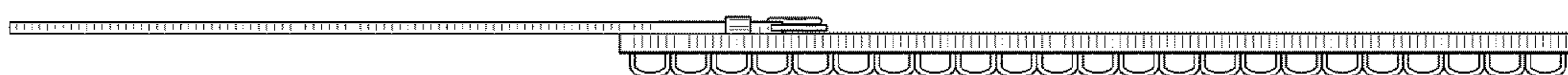


FIG. 7

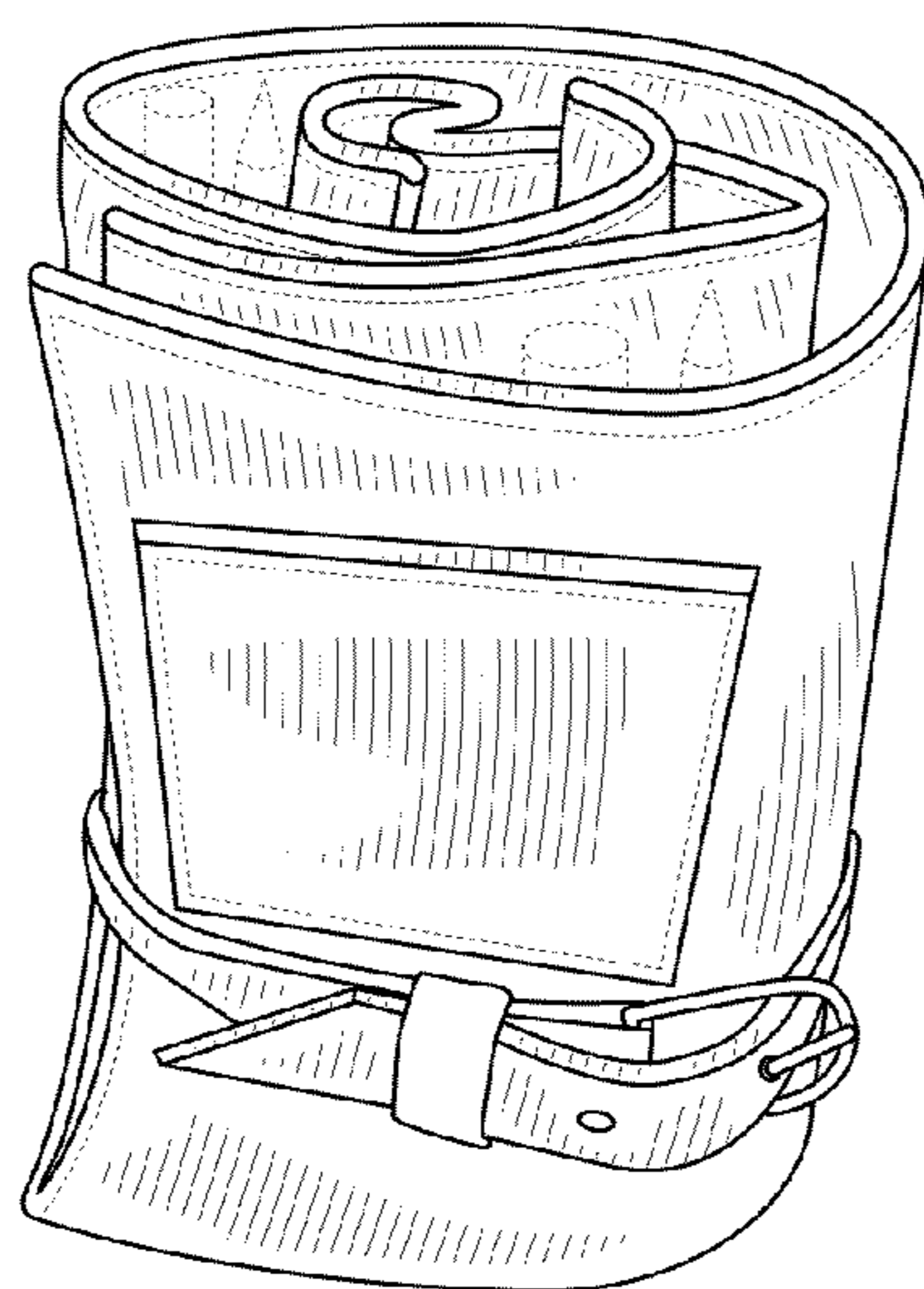


FIG. 8