



US00D699015S

(12) **United States Design Patent**
McCall et al.

(10) **Patent No.:** **US D699,015 S**

(45) **Date of Patent:** **** Feb. 4, 2014**

(54) **NUCLEAR POWER PLANT UTILITY CART**

(71) Applicants: **Jerrald S. McCall**, Six Mile, SC (US);
Virgil Irick, Anderson, SC (US); **Robert C Smith**, Seneca, SC (US)

(72) Inventors: **Jerrald S. McCall**, Six Mile, SC (US);
Virgil Irick, Anderson, SC (US); **Robert C Smith**, Seneca, SC (US)

(73) Assignee: **American Ceramic Technology, Inc.**,
Poway, CA (US)

(**) Term: **14 Years**

(21) Appl. No.: **29/438,485**

(22) Filed: **Nov. 30, 2012**

(51) **LOC (10) Cl.** **12-02**

(52) **U.S. Cl.**
USPC **D34/12**

(58) **Field of Classification Search**
USPC D34/12-27; 280/47.11, 47.16, 47.24,
280/47.27, 47.19, 47.34, 79.11, 47.18,
280/33.998, 79.3

See application file for complete search history.

(56) **References Cited**

U.S. PATENT DOCUMENTS

| | | | | |
|--------------|--------|--------------|-------|--------|
| D219,810 S * | 2/1971 | Mitchell | | D34/24 |
| D249,031 S * | 8/1978 | Tarran | | D34/14 |
| D326,748 S * | 6/1992 | Kirk | | D34/17 |
| D410,577 S * | 6/1999 | Ciphers, Sr. | | D34/17 |

| | | | | |
|-------------------|---------|-----------------|-------|-----------|
| D669,242 S * | 10/2012 | Baldemor et al. | | D34/12 |
| 8,408,564 B2 * | 4/2013 | Hutchinson | | 280/79.2 |
| D685,154 S * | 6/2013 | Ambrefe et al. | | D34/12 |
| 2002/0079660 A1 * | 6/2002 | Shirai | | 280/79.11 |
| 2003/0080523 A1 * | 5/2003 | Crespo-Ortiz | | 280/47.34 |
| 2003/0205875 A1 * | 11/2003 | Ondrasik et al. | | 280/47.34 |

* cited by examiner

Primary Examiner — Cynthia Ramirez

(74) *Attorney, Agent, or Firm* — John B. Hardaway, III;
Nexsen Pruet

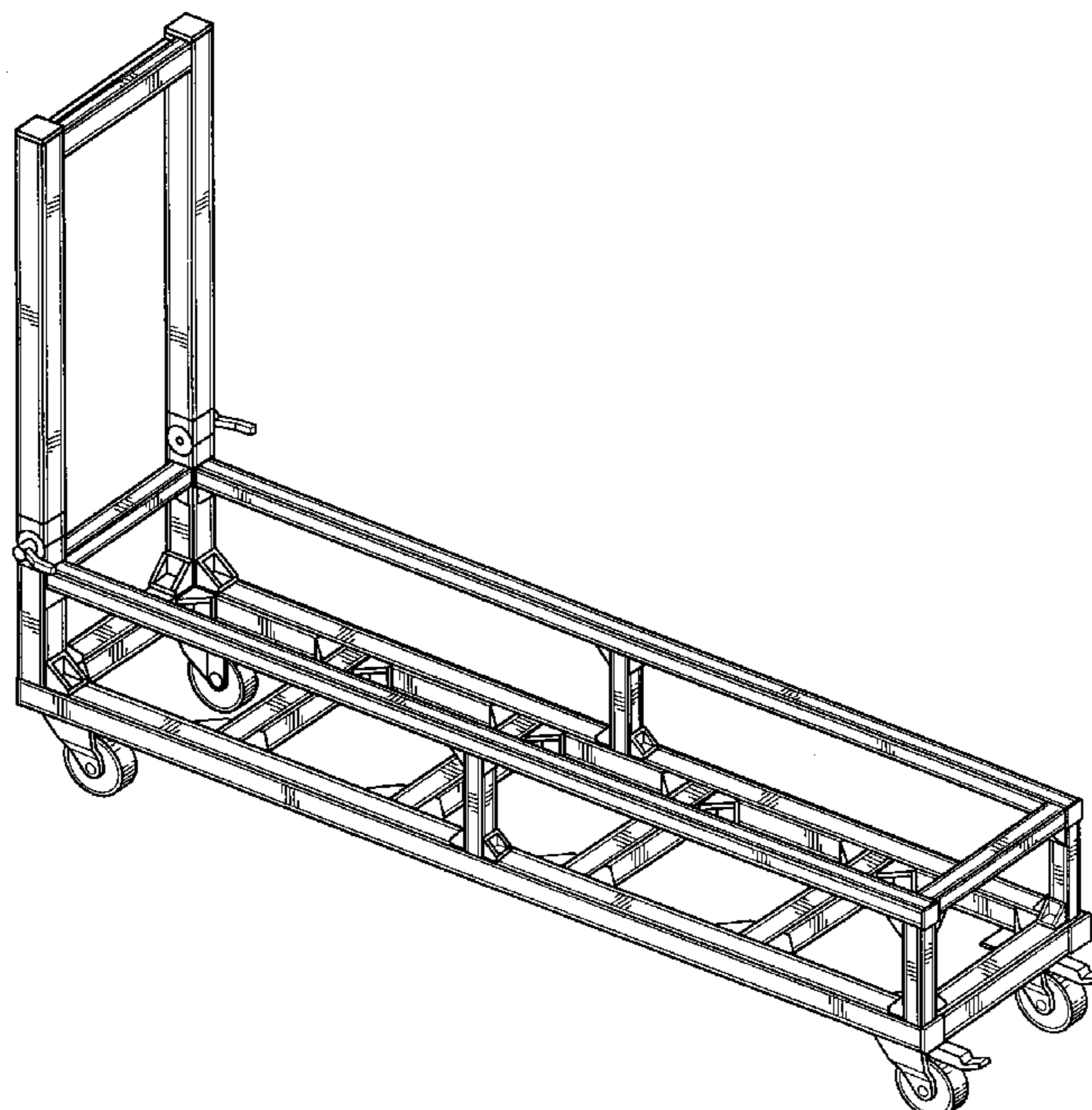
(57) **CLAIM**

The ornamental design for a nuclear power plant utility cart, as shown and described.

DESCRIPTION

FIG. 1 is a perspective view of a nuclear power plant utility cart showing our new design;
 FIG. 2 is a front view thereof;
 FIG. 3 is a rear view thereof;
 FIG. 4 is a left side view thereof;
 FIG. 5 is a right side view thereof;
 FIG. 6 is a bottom view thereof;
 FIG. 7 is a top view thereof;
 FIG. 8 is a perspective view of another embodiment of a nuclear power plant utility cart;
 FIG. 9 is a front view thereof;
 FIG. 10 is a rear view thereof;
 FIG. 11 is a left side thereof;
 FIG. 12 is a right side thereof;
 FIG. 13 is a bottom view thereof; and,
 FIG. 14 is a top view thereof.

1 Claim, 6 Drawing Sheets



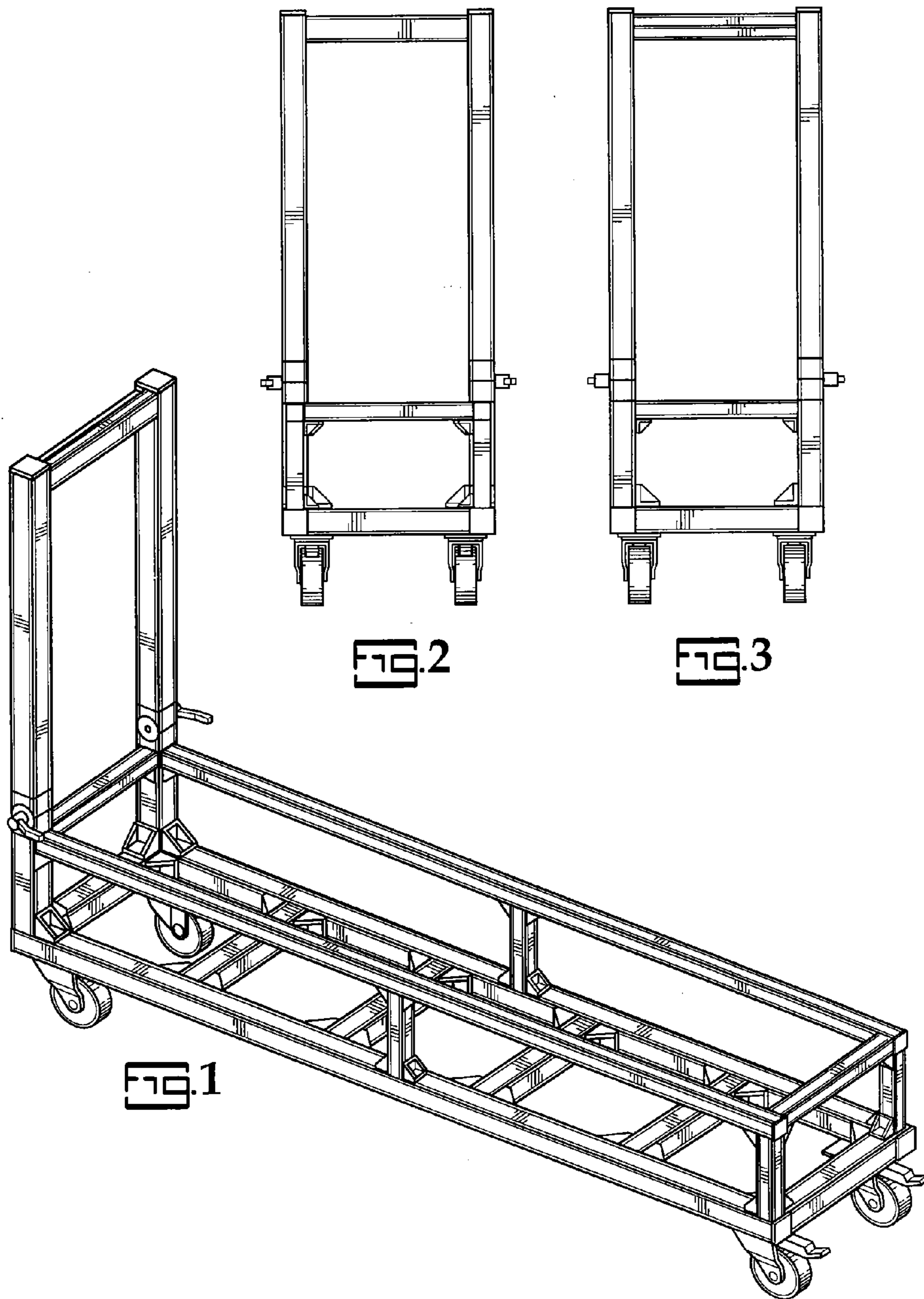


FIG. 2

FIG. 3

FIG. 1

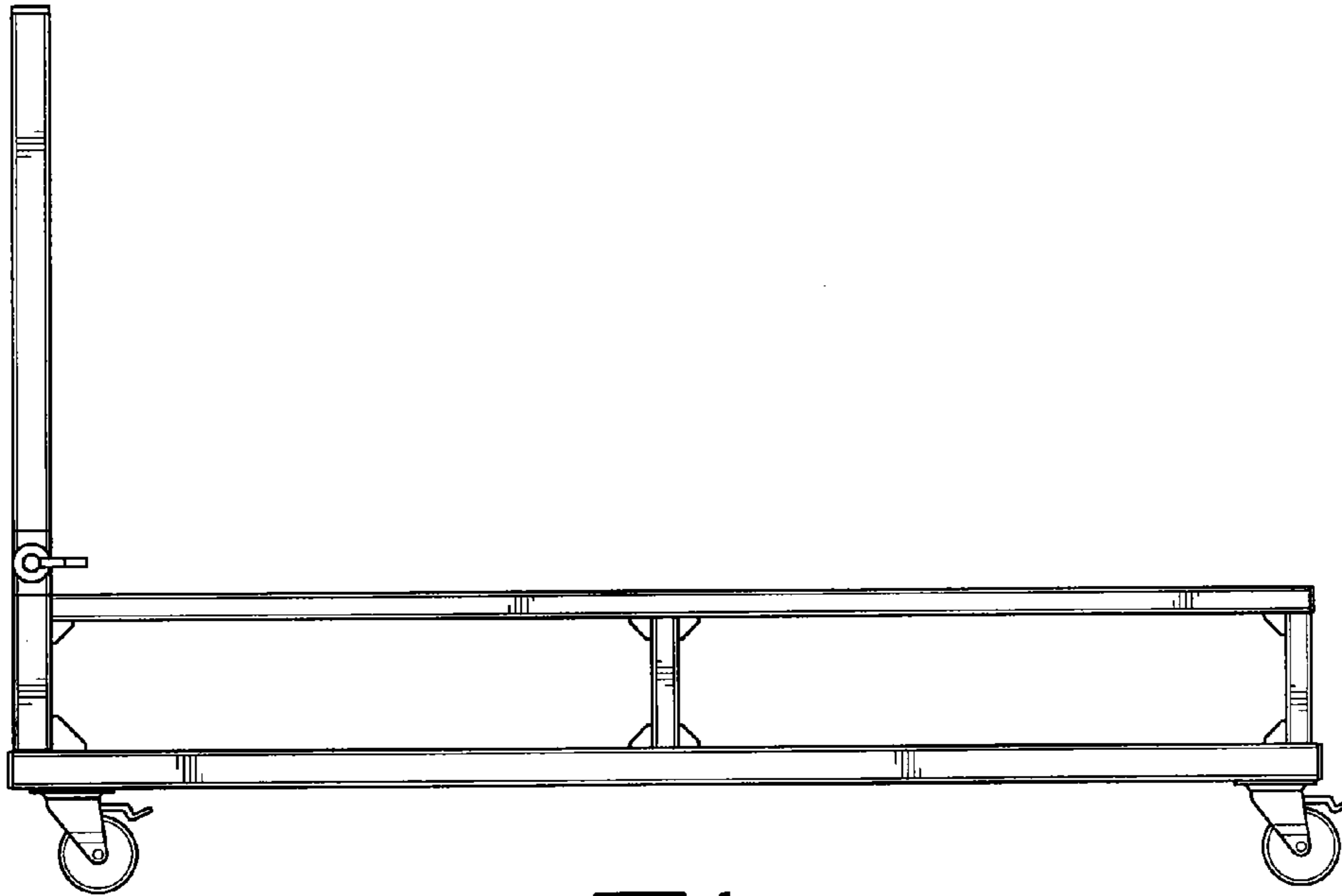


FIG. 4

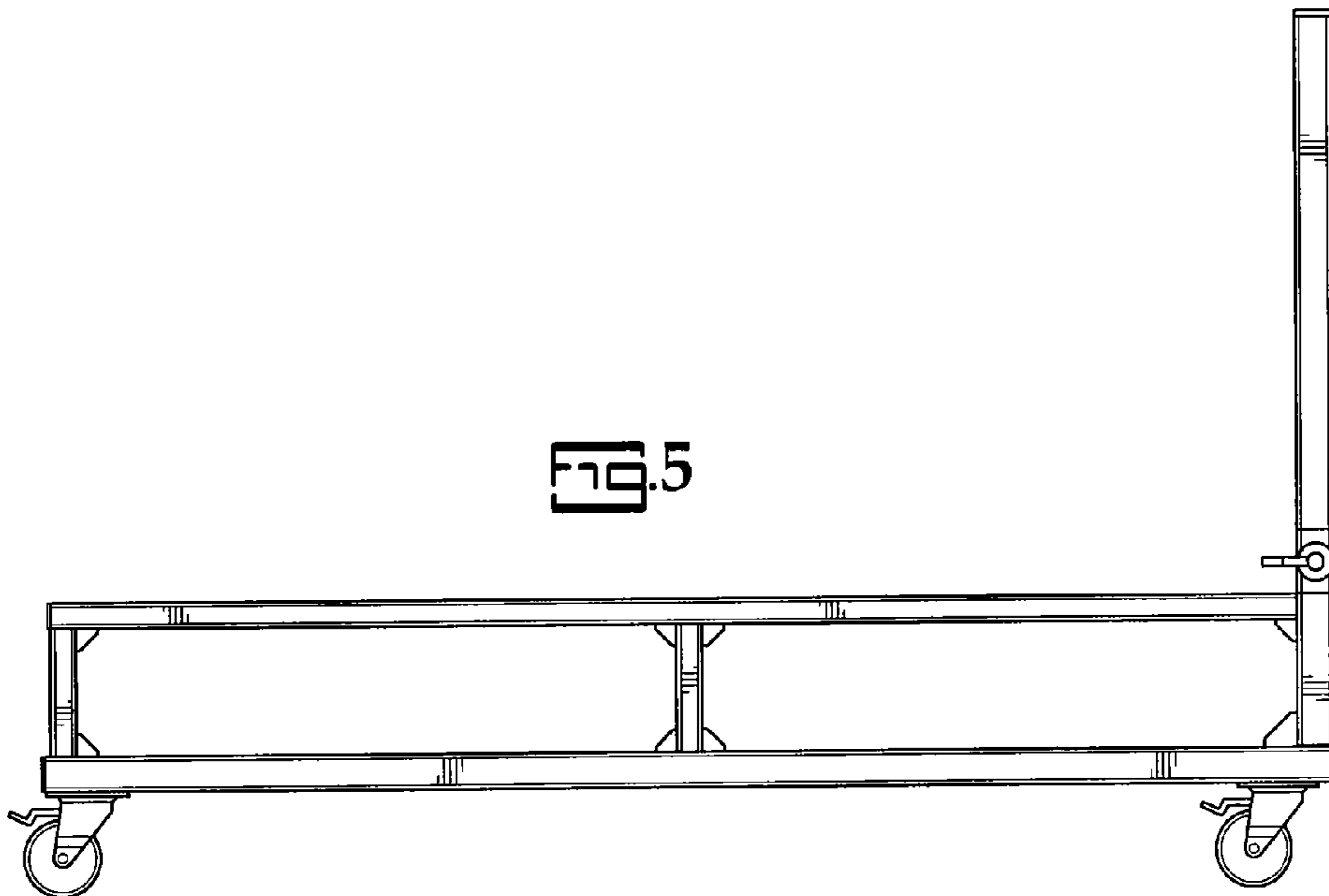


FIG. 5

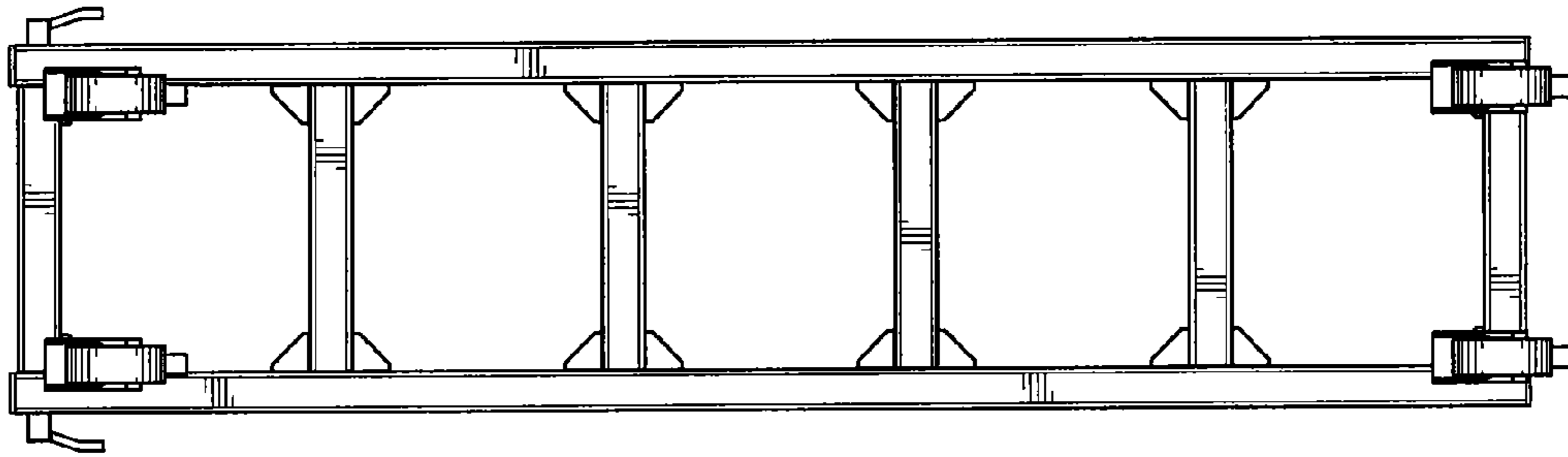


FIG. 6

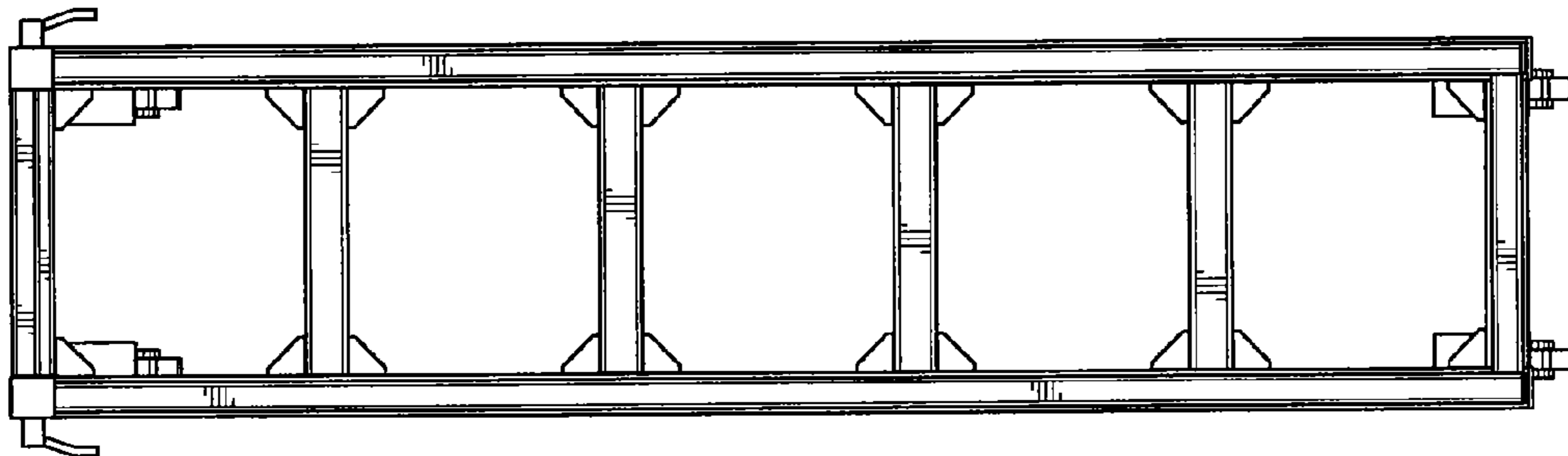
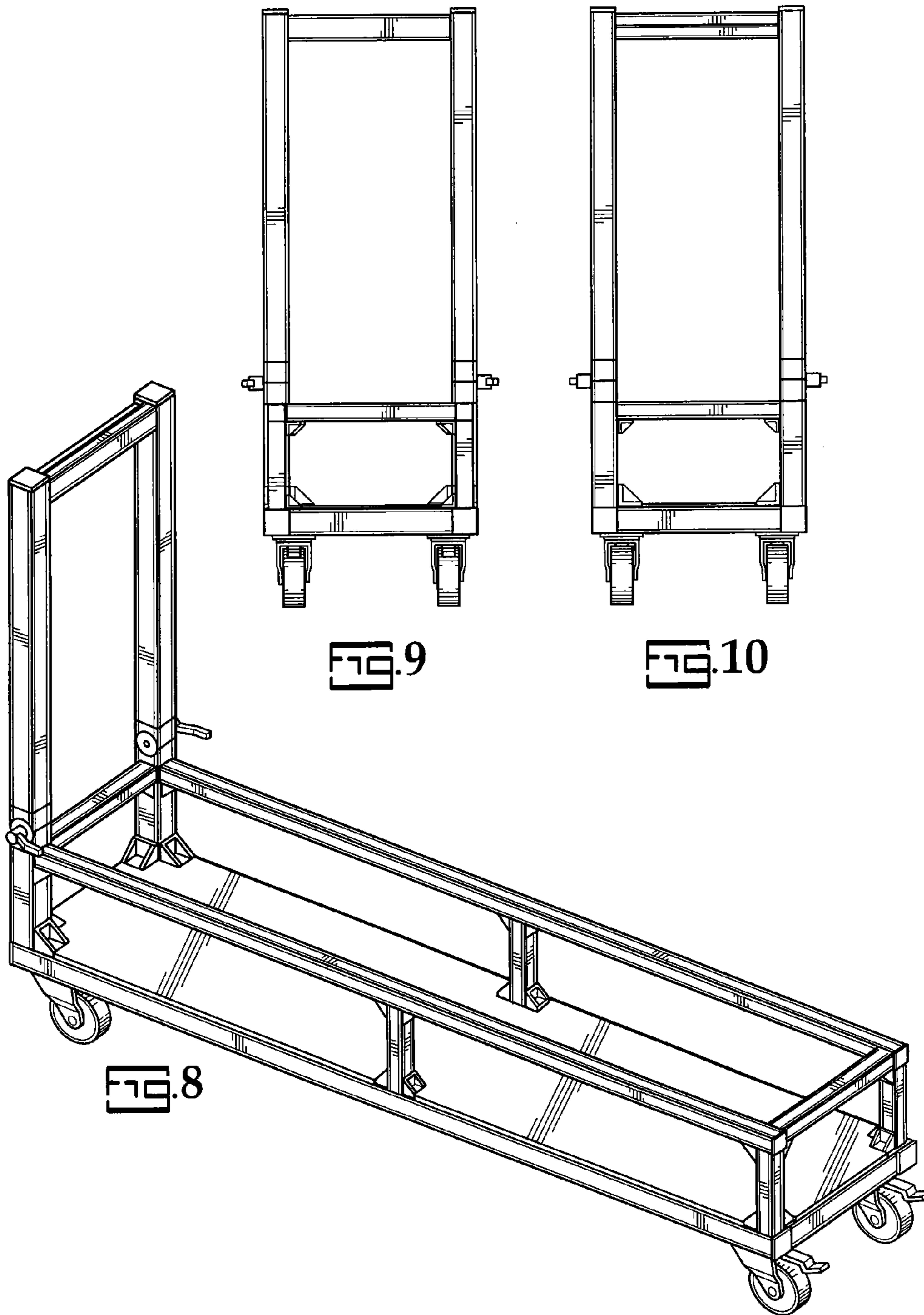


FIG. 7



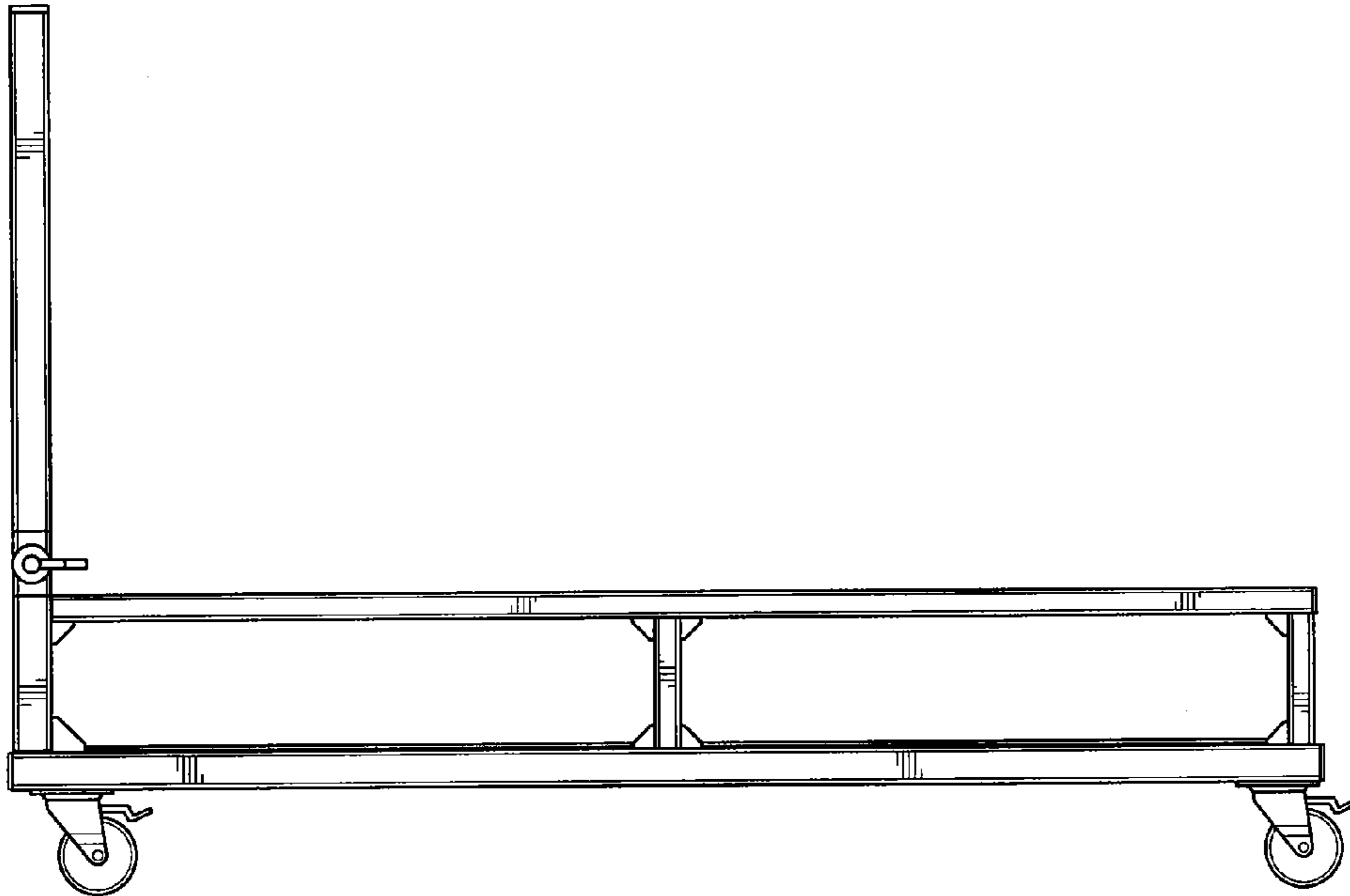


FIG. 11

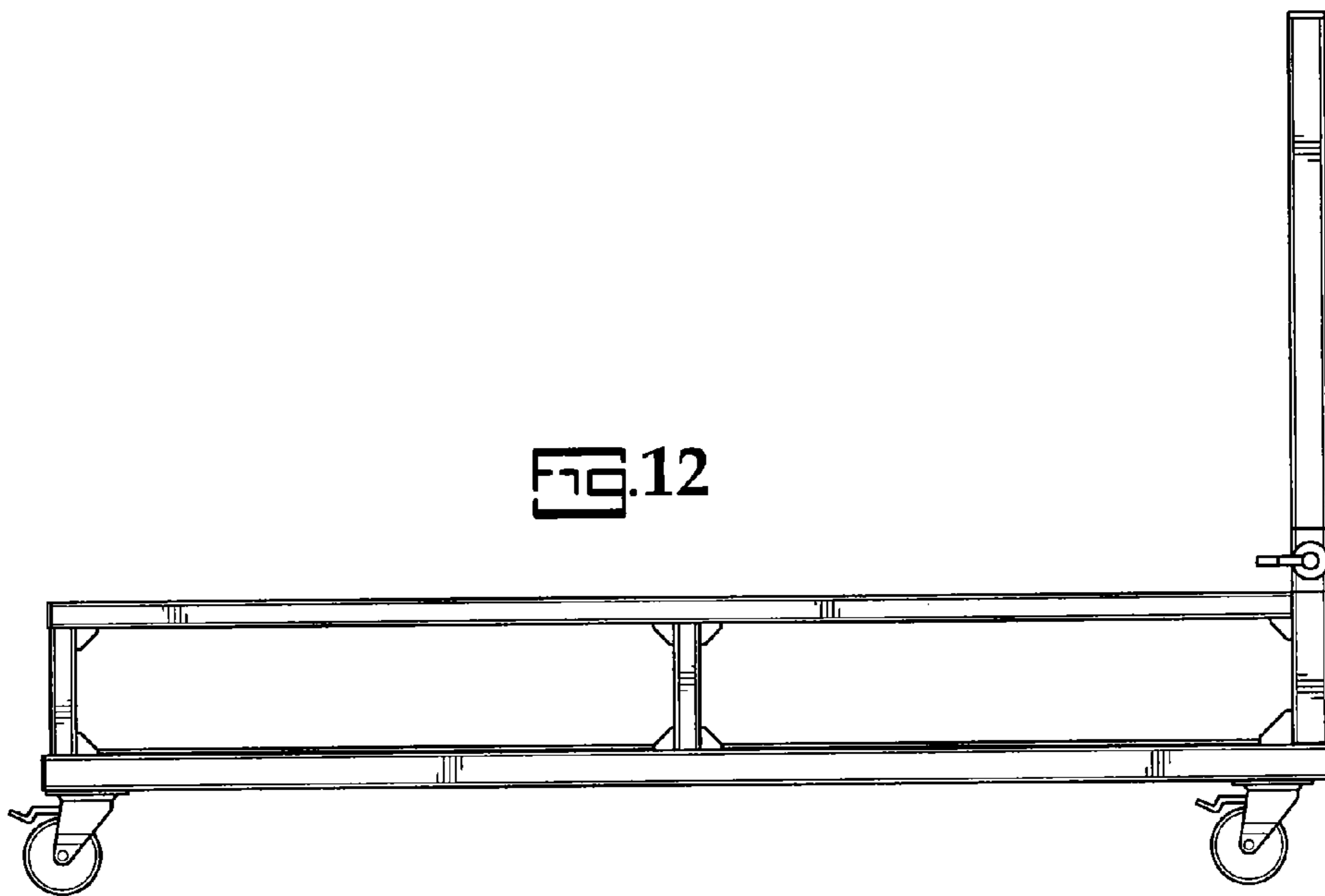


FIG. 12

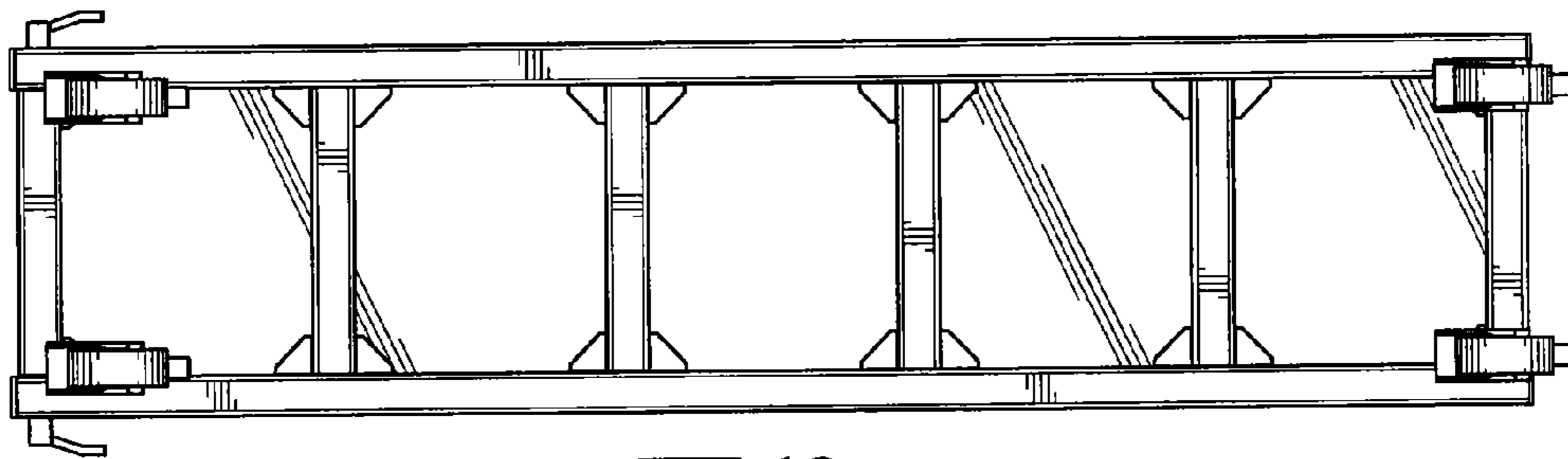


FIG. 13

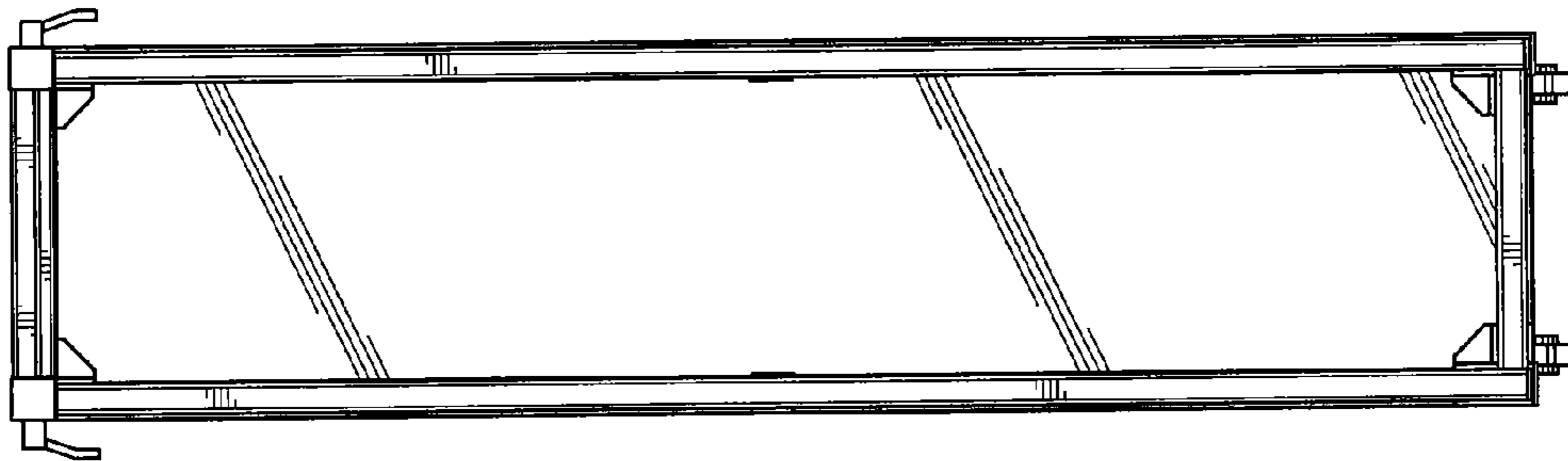


FIG. 14