



US00D699013S

(12) **United States Design Patent**
Ziemann et al.

(10) **Patent No.:** **US D699,013 S**

(45) **Date of Patent:** **** Feb. 4, 2014**

(54) **SINK ACCESSORY**

(56) **References Cited**

(71) Applicant: **BLANCO GmbH + Co KG**,
Oberderdingen (DE)

(72) Inventors: **Brigitte Ziemann**, Eppingen (DE);
Mario Mauz, Bretten (DE); **Oren Shai**,
Westerville, OH (US); **Ludwin Miguel**
Mora, Worthington, OH (US)

U.S. PATENT DOCUMENTS

3,925,952 A *	12/1975	Hagel et al.	52/714
D251,542 S *	4/1979	Ozvath et al.	D8/343
D333,085 S *	2/1993	Thomsen	D8/373
D391,915 S *	3/1998	Miller	D12/223
5,729,939 A *	3/1998	Di Benedetto	52/293.3
5,946,870 A *	9/1999	Bifano et al.	52/254
8,297,576 B2 *	10/2012	McLeod	248/257
D679,172 S *	4/2013	Dixon	D8/354
D684,032 S *	6/2013	Randle	D8/349

(73) Assignee: **BLANCO GmbH + Co KG**,
Oberderdingen (DE)

* cited by examiner

(**) Term: **14 Years**

Primary Examiner — Austin Murphy

(74) *Attorney, Agent, or Firm* — Hanley, Flight &
Zimmerman, LLC.

(21) Appl. No.: **29/458,561**

(57) **CLAIM**

The ornamental design for a “sink accessory,” as shown and described.

(22) Filed: **Jun. 20, 2013**

DESCRIPTION

(51) **LOC (10) Cl.** **07-05**

(52) **U.S. Cl.**

USPC **D32/55**

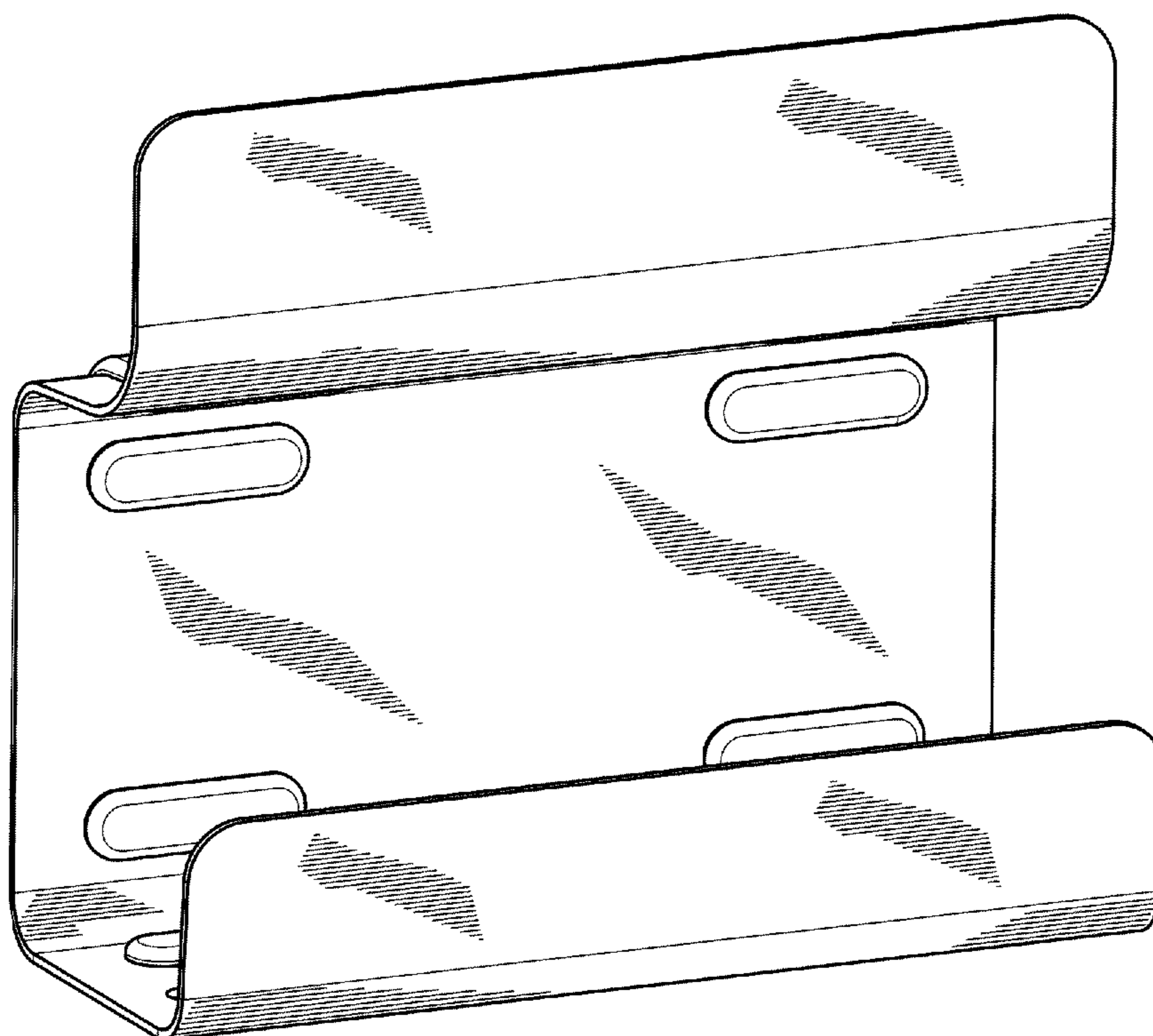
(58) **Field of Classification Search**

USPC D32/55, 276, 3; D6/510, 525; D12/223;
211/41.5, 41.4, 41.3, 41.8; 52/254,
52/714; 312/311, 333, 334.4; D7/354,
D7/629; D8/354, 349, 343, 373

FIG. 1 is a perspective view of a sink accessory.
FIG. 2 is a front view of the sink accessory of FIG. 1.
FIG. 3 is a right side view of the sink accessory of FIG. 1.
FIG. 4 is a rear view of the sink accessory of FIG. 1.
FIG. 5 is a left side view of the sink accessory of FIG. 1.
FIG. 6 is a top plan view of the sink accessory of FIG. 1; and,
FIG. 7 is a bottom view of the sink accessory of FIG. 1.
The features shown in broken lines form no part of the
claimed design.

See application file for complete search history.

1 Claim, 7 Drawing Sheets



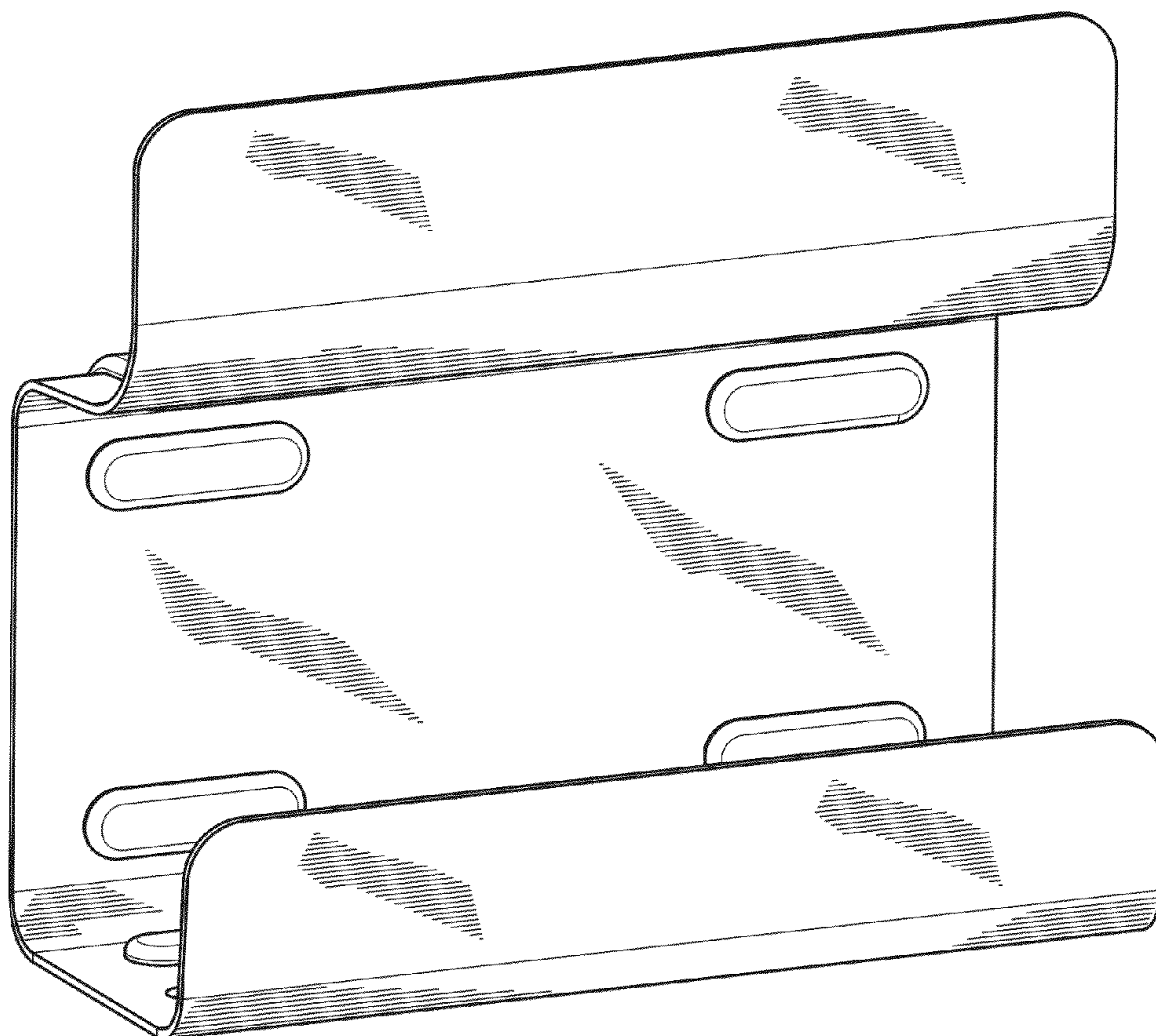


FIG. 1

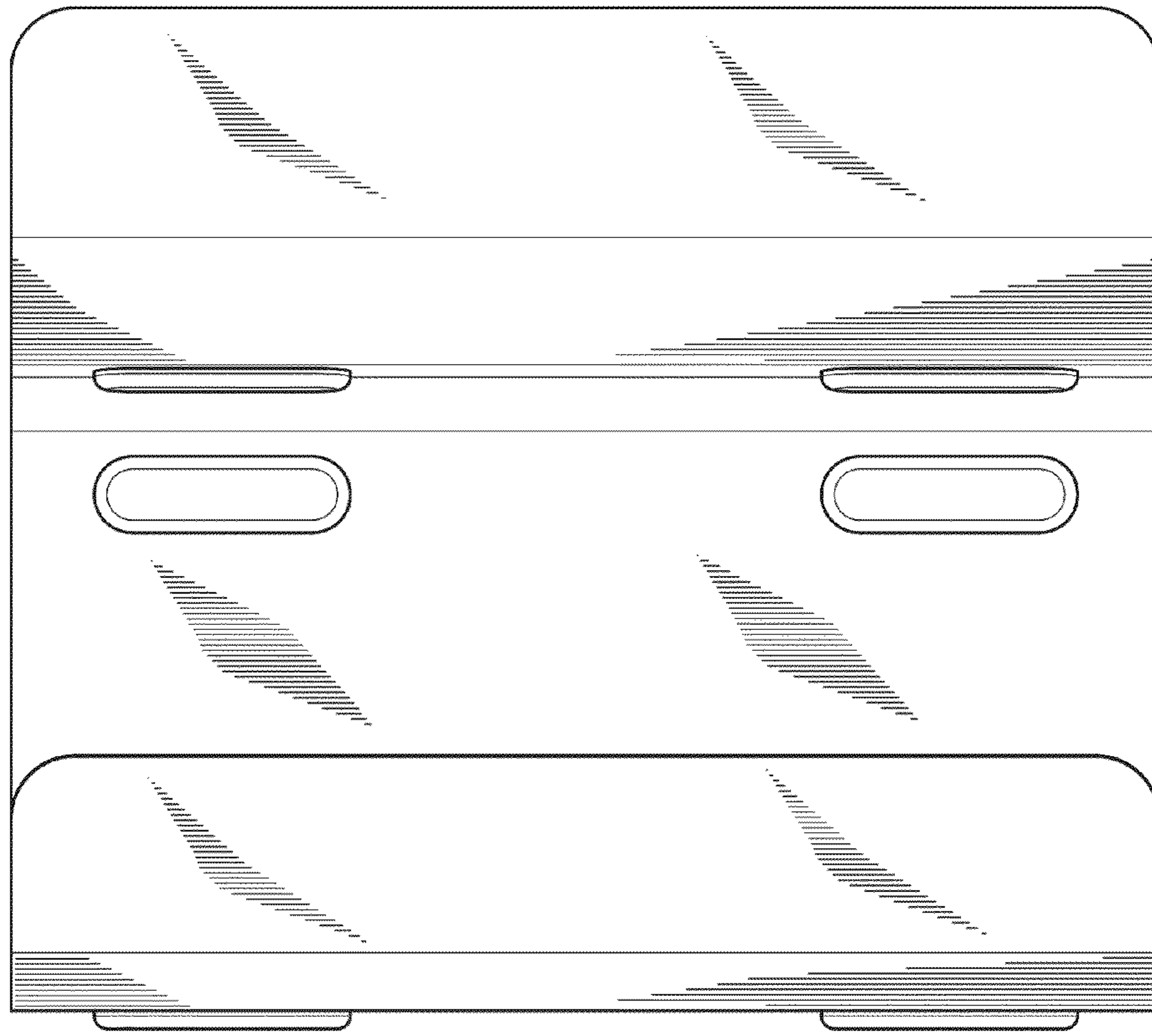


FIG. 2

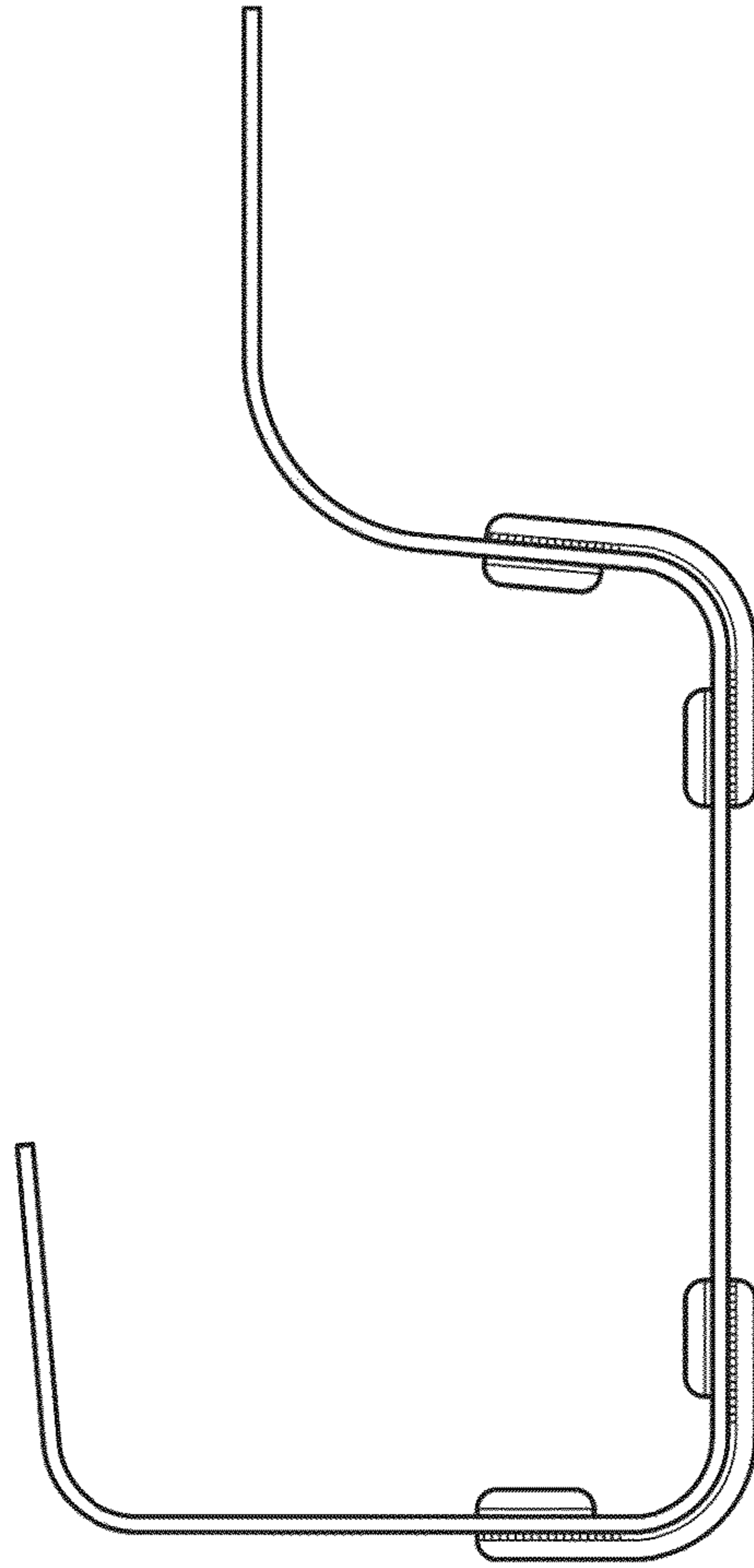


FIG. 3

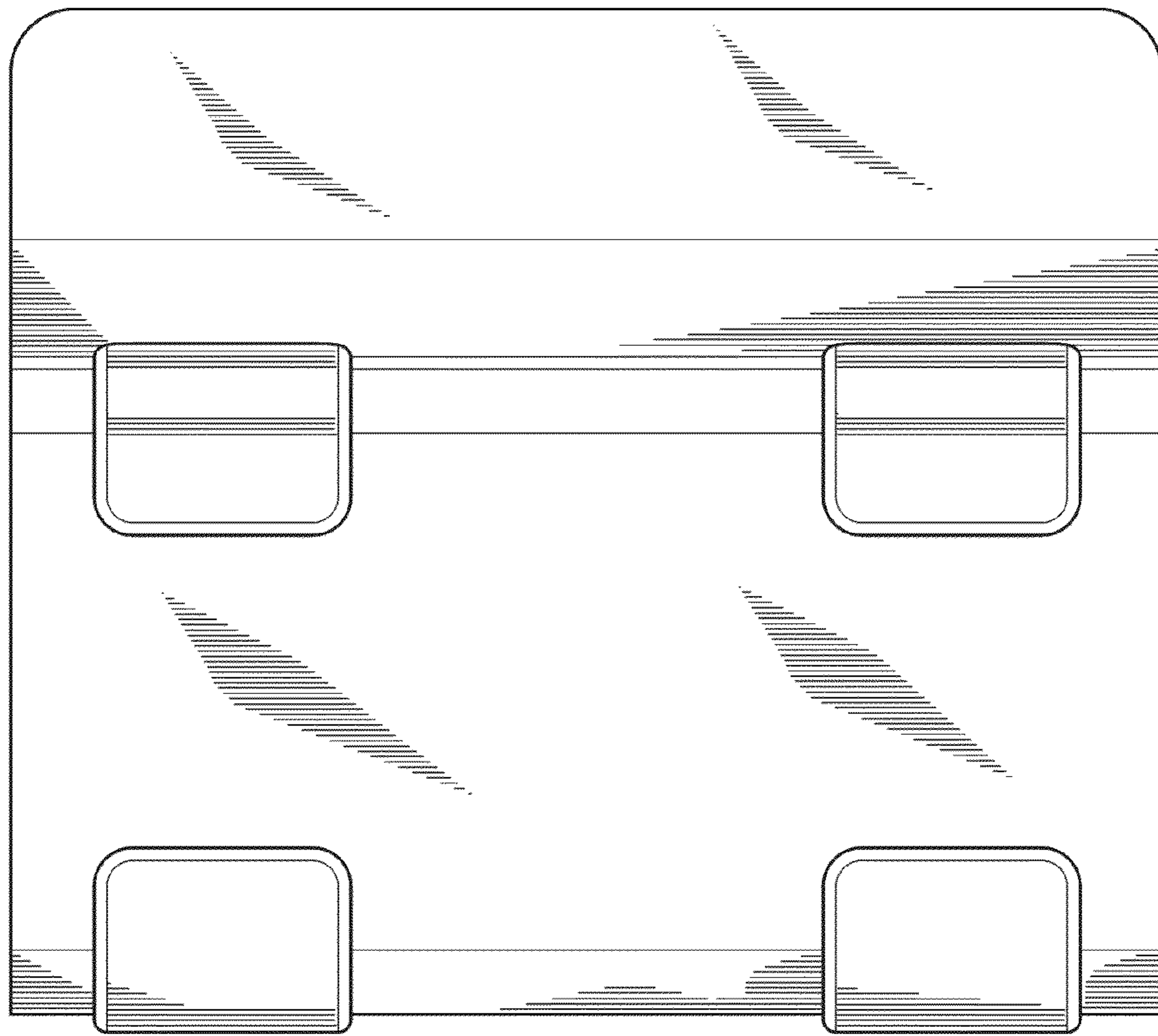


FIG. 4

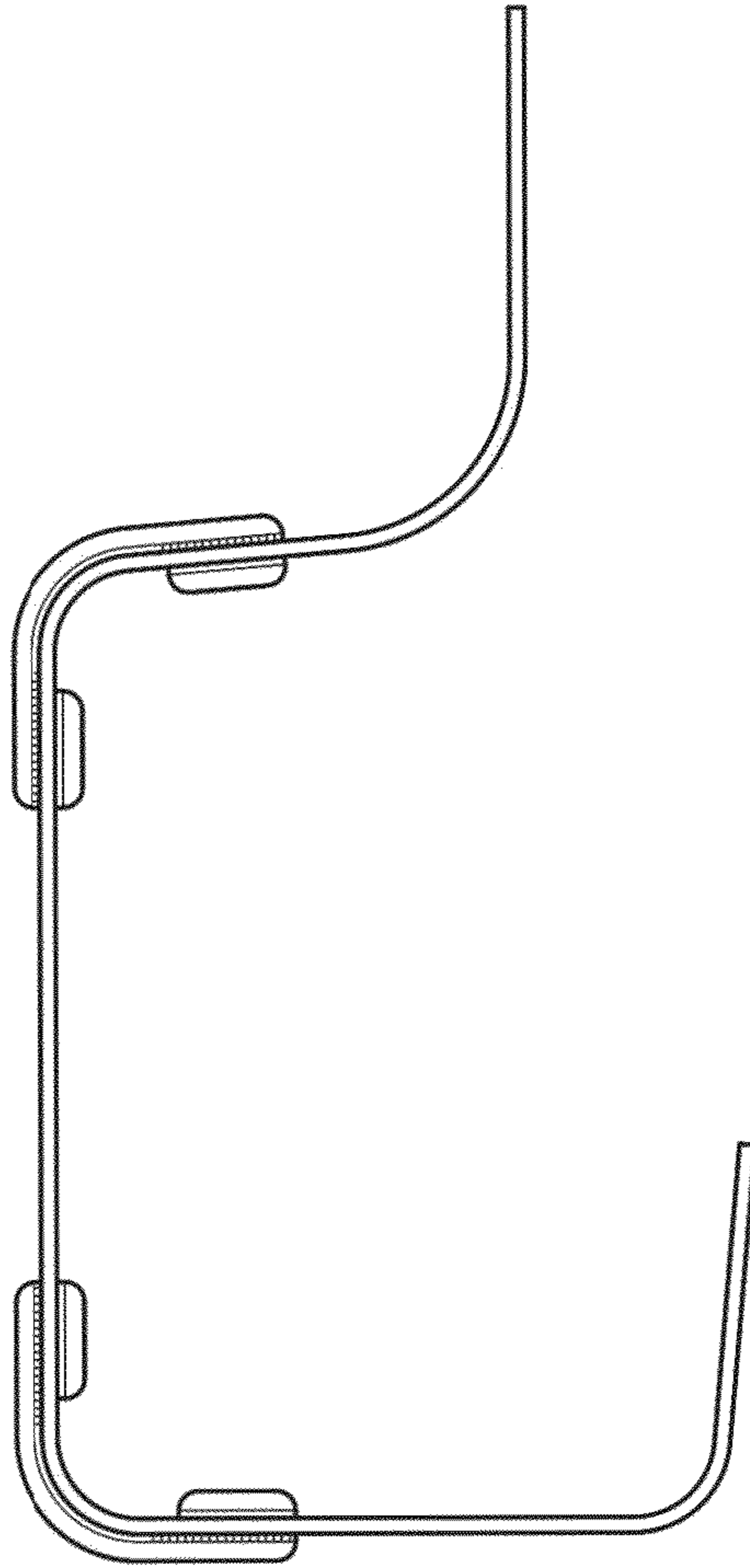


FIG. 5

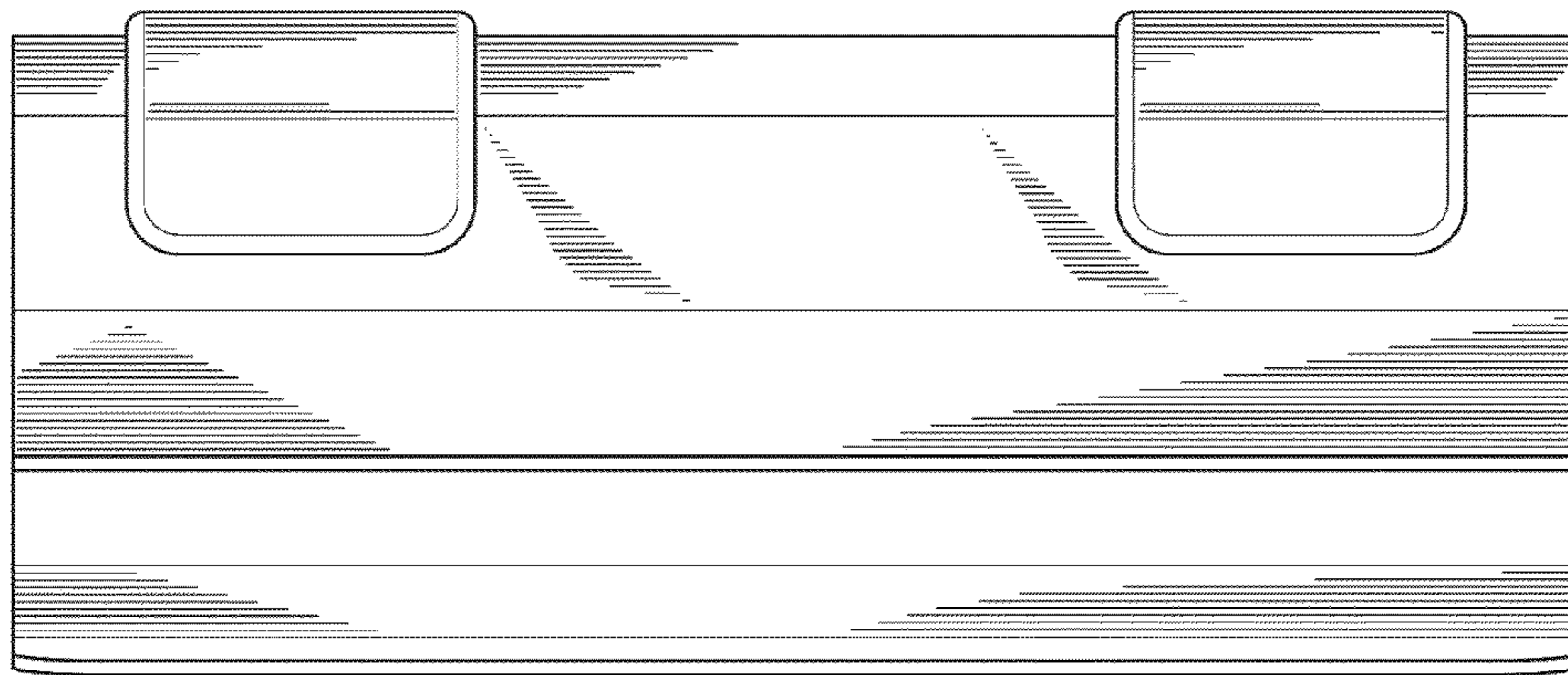


FIG. 6

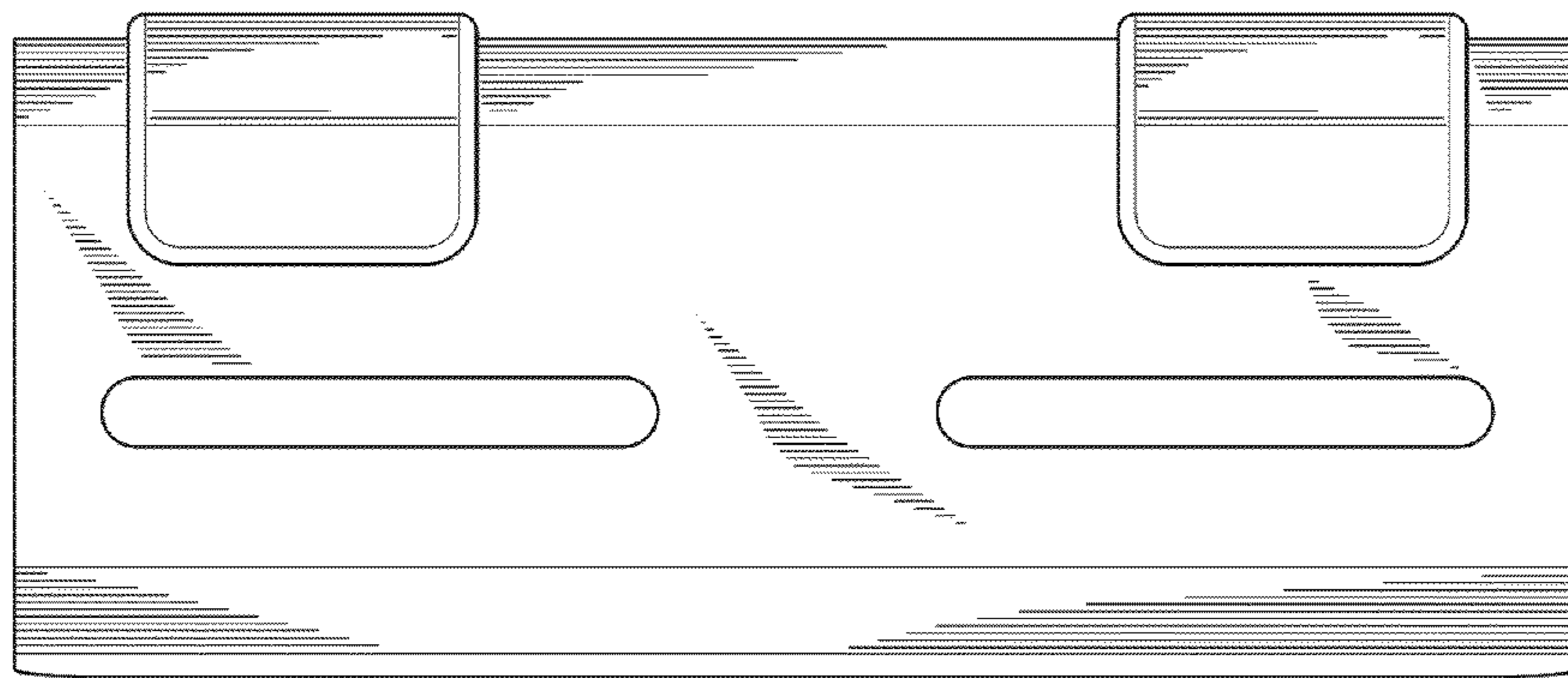


FIG. 7