

US00D699011S

(12) **United States Design Patent**
deBlois

(10) **Patent No.:** **US D699,011 S**

(45) **Date of Patent:** **** Feb. 4, 2014**

- (54) **HANDLE FOR A CLEANING APPARATUS**
- (75) Inventor: **Bryan Paul deBlois**, Waltham, MA (US)
- (73) Assignee: **Euro-Pro Operating LLC**, Newton, MA (US)
- (**) Term: **14 Years**
- (21) Appl. No.: **29/418,004**
- (22) Filed: **Apr. 11, 2012**
- (51) **LOC (10) Cl.** **04-01**
- (52) **U.S. Cl.**
USPC **D32/45**
- (58) **Field of Classification Search**
USPC D32/40, 45, 50; 401/137-140;
15/DIG. 10; 16/444, 446, DIG. 12,
16/DIG. 19
See application file for complete search history.

- D549,905 S 8/2007 Bobrosky et al.
- D573,003 S 7/2008 Bogdan
- D573,004 S 7/2008 Bogdan
- D612,114 S 3/2010 Ikeno
- 8,205,293 B2 * 6/2012 Rosenzweig et al. 15/320
- D685,965 S * 7/2013 Houghton D32/45

* cited by examiner

Primary Examiner — Robin V Webster

(74) *Attorney, Agent, or Firm* — Iandiorio Teska & Coleman, LLP

(57) **CLAIM**

The ornamental design of a handle for a cleaning apparatus, as shown and described.

DESCRIPTION

FIG. 1 is a perspective view of a handle for a cleaning apparatus in accordance with the present design;
FIG. 2 is a front elevational view thereof;
FIG. 3 is a rear elevational view thereof;
FIG. 4 is a left side elevational view thereof;
FIG. 5 is a right side elevational view thereof;
FIG. 6 is a top plan view thereof; and,
FIG. 7 is a bottom plan view thereof.

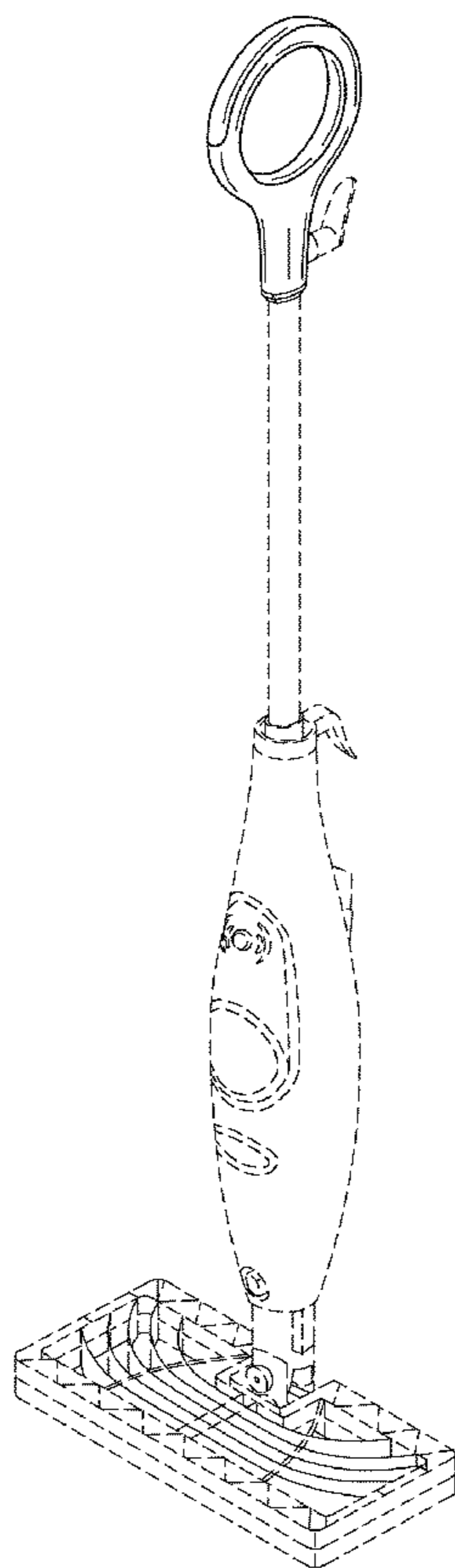
The broken lines are for illustrative purposes only and form no part of the claimed design.

1 Claim, 3 Drawing Sheets

(56) **References Cited**

U.S. PATENT DOCUMENTS

- 1,529,835 A * 3/1925 Hamilton 294/57
- 2,617,143 A * 11/1952 Blake 16/444
- 6,865,777 B2 * 3/2005 Comstock 16/114.1
- D525,400 S 7/2006 Luebbering et al.
- D531,770 S 11/2006 Luebbering et al.



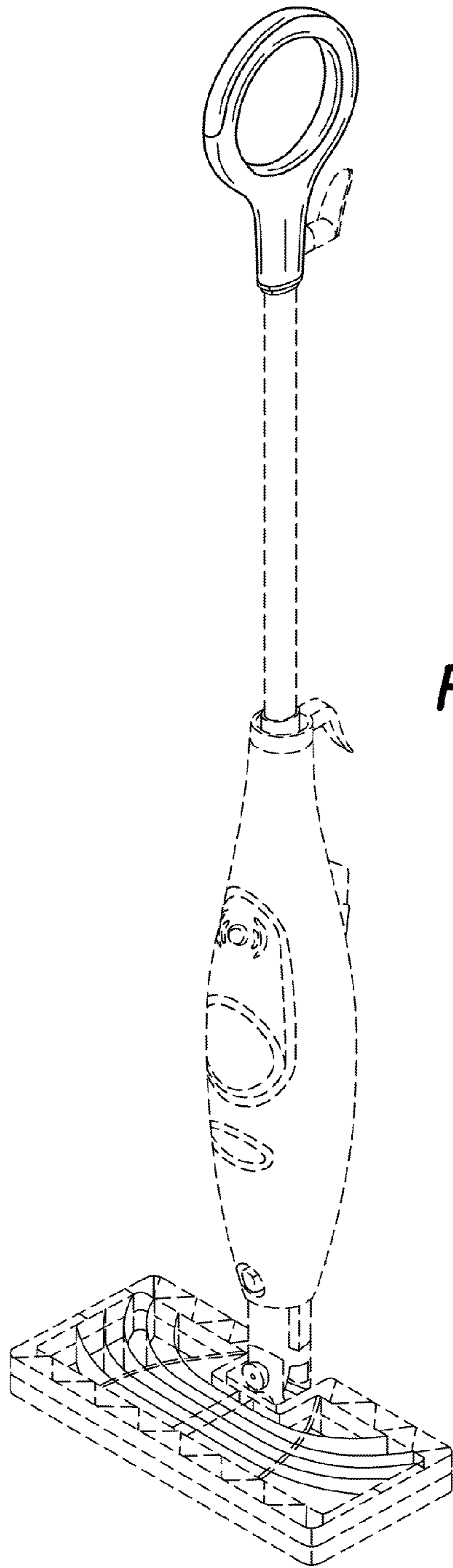


FIG. 1

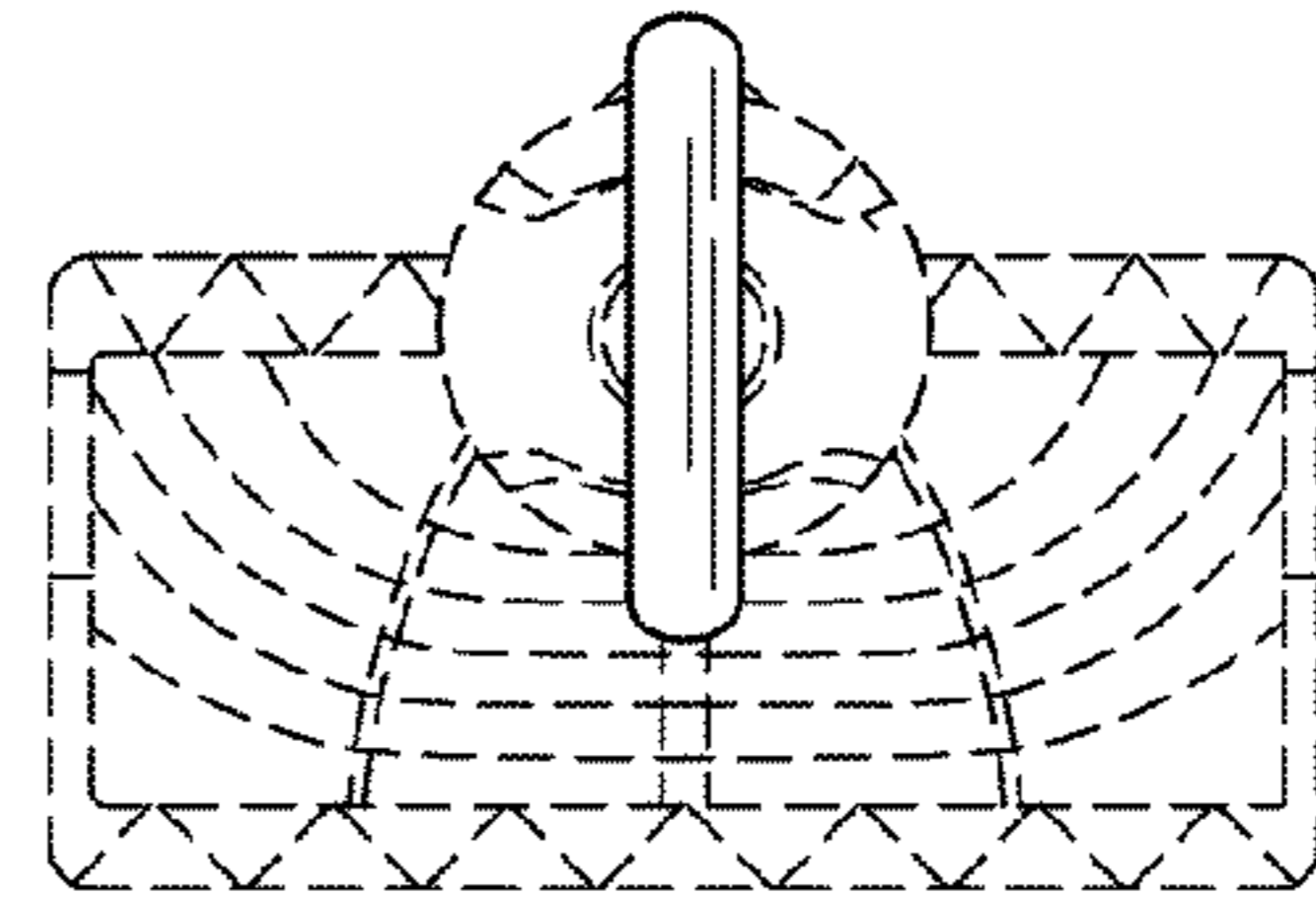


FIG. 6

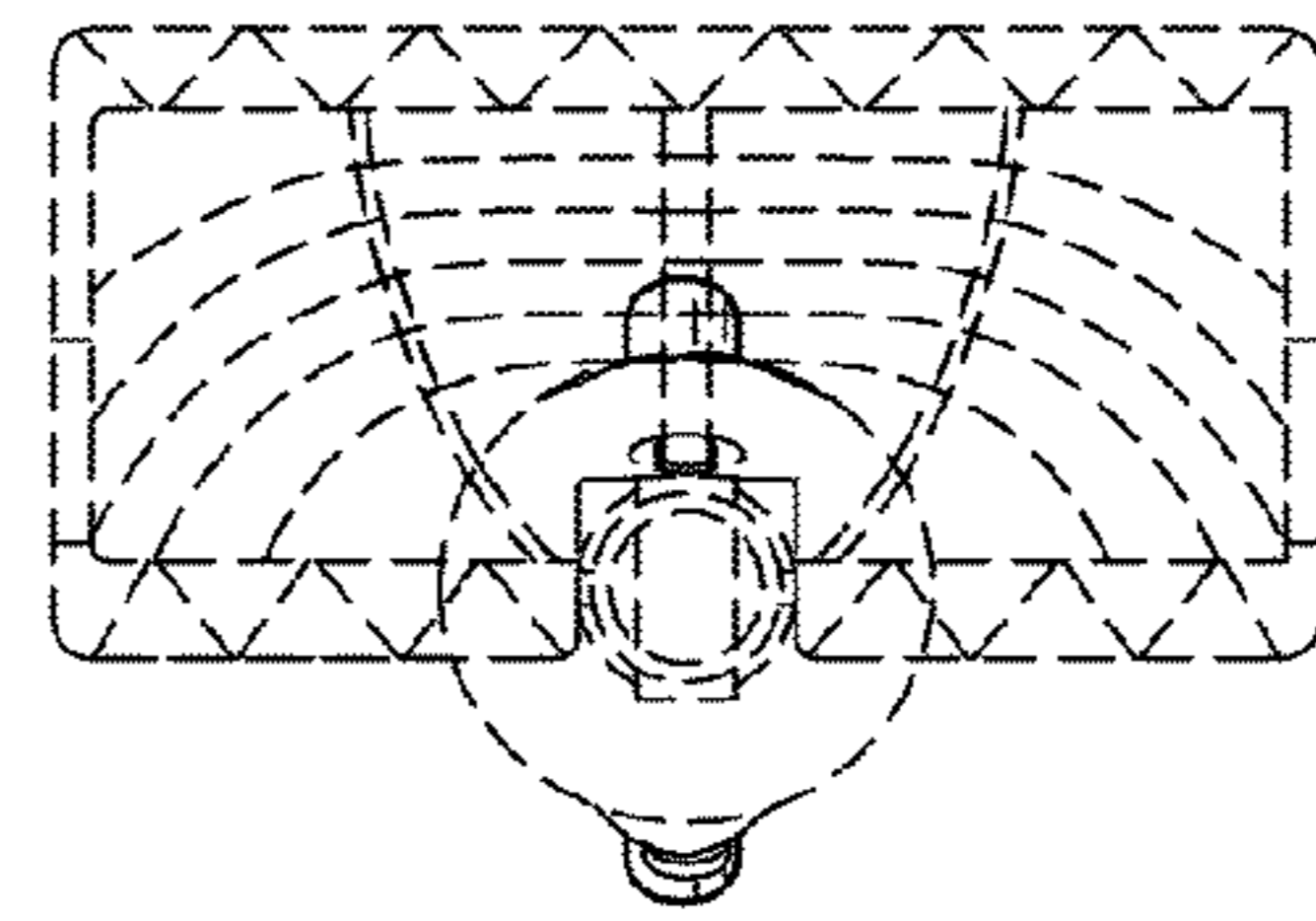


FIG. 7

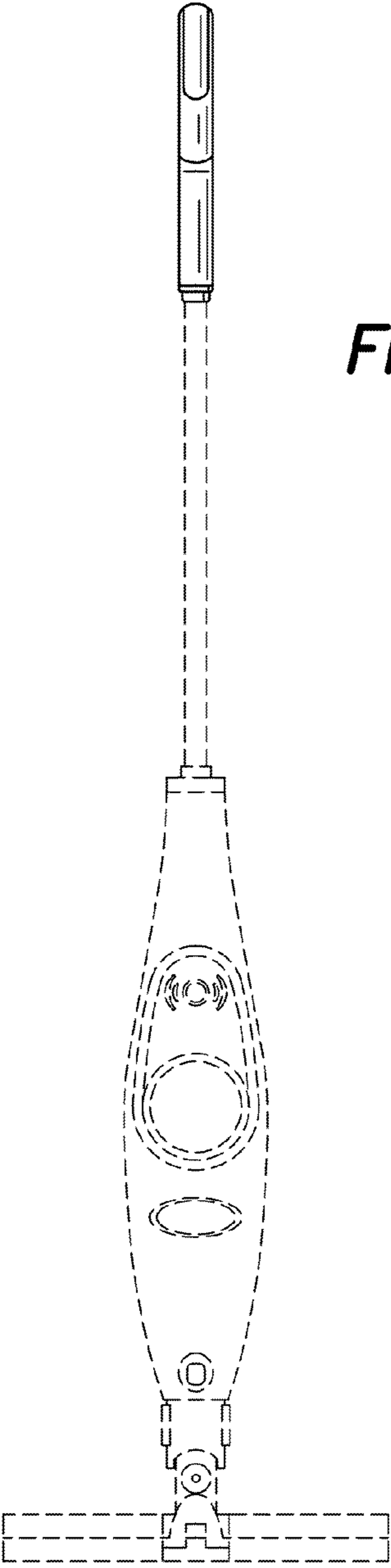


FIG. 2

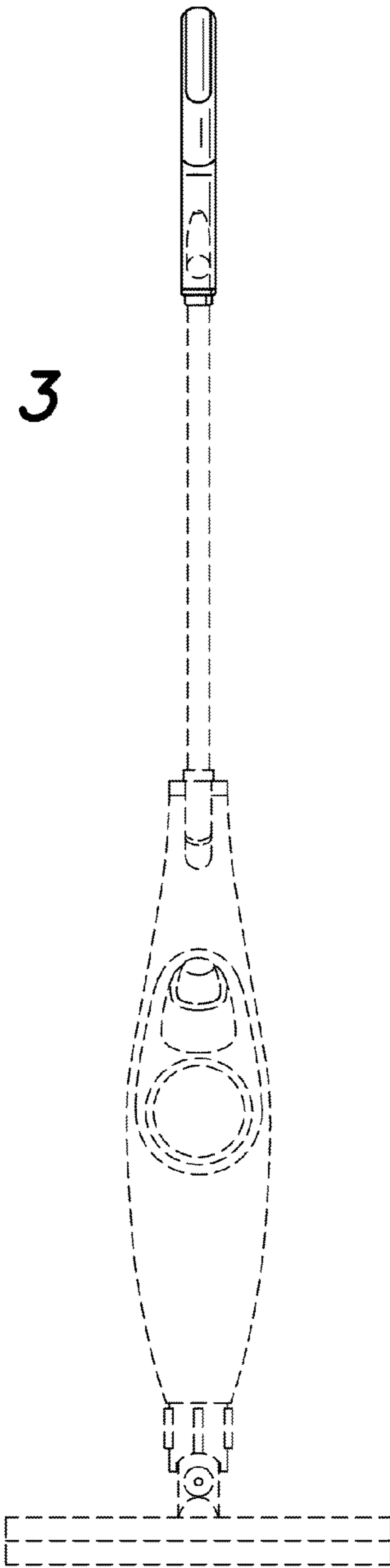


FIG. 3

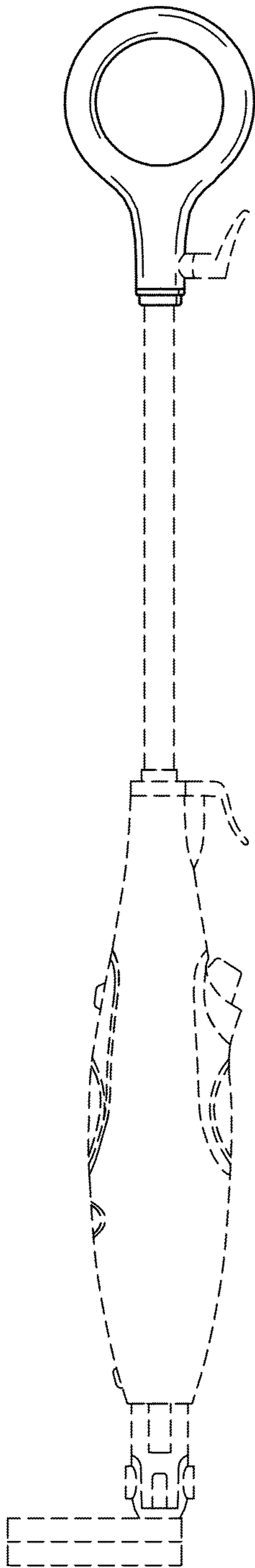


FIG. 4

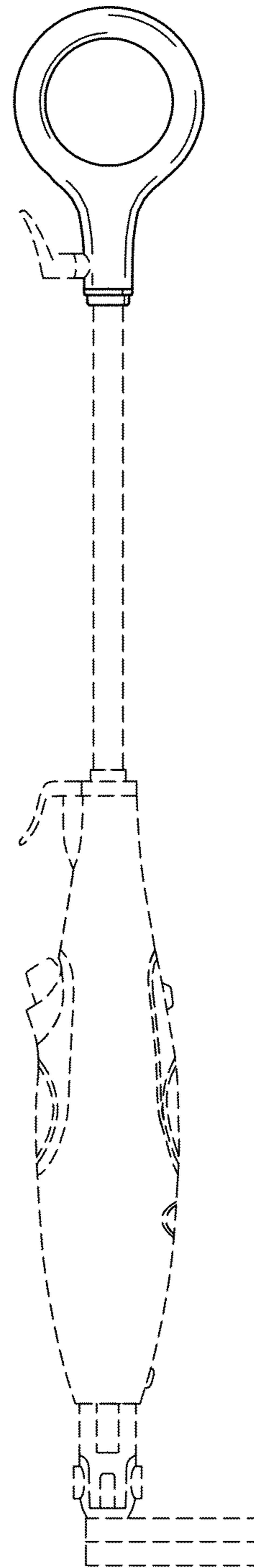


FIG. 5