



US00D699010S

(12) **United States Design Patent**
Gilbert, Jr.

(10) **Patent No.:** **US D699,010 S**
(45) **Date of Patent:** **** Feb. 4, 2014**

(54) **CLEANING ELEMENT FOR A ROBOTIC VACUUM**

(75) Inventor: **Duane Leigh Gilbert, Jr.**, Goffstown, NH (US)

(73) Assignee: **iRobot Corporation**, Bedford, MA (US)

(**) Term: **14 Years**

(21) Appl. No.: **29/419,602**

(22) Filed: **Apr. 30, 2012**

(51) **LOC (10) Cl.** **15-05**

(52) **U.S. Cl.**
USPC **D32/31**

(58) **Field of Classification Search**
USPC D32/21, 22, 31-34, 17, 42, 45, 50;
15/1.7, 415.1, 416-422.1, 414, 322,
15/353, 400, 327.1, 319, 366, 383, 179,
15/182, 41.1, 320, 403, DIG. 5, DIG. 6,
15/246.2, 183, 392

See application file for complete search history.

(56) **References Cited**

U.S. PATENT DOCUMENTS

D125,786	S	*	3/1941	Schaad	D32/31
D222,702	S	*	12/1971	Schaefer et al.	D32/31
4,307,479	A	*	12/1981	Mertes et al.	15/182
4,777,691	A	*	10/1988	Richmond et al.	15/182
5,251,355	A	*	10/1993	Drumm	15/182
5,452,490	A	*	9/1995	Brundula et al.	15/182
5,495,634	A	*	3/1996	Brundula et al.	15/182
6,108,853	A	*	8/2000	Dittus	15/179
D431,698	S	*	10/2000	Hoshide et al.	D32/31

D471,332	S	*	3/2003	Haegermarck et al.	D32/31
6,530,106	B1	*	3/2003	Brundula	15/182
6,539,575	B1	*	4/2003	Cohen	15/179
6,564,417	B2	*	5/2003	Porat	15/179
6,574,823	B1	*	6/2003	Stegens	15/182
D478,698	S	*	8/2003	Mertes et al.	D32/31
D518,258	S	*	3/2006	Hamm et al.	D32/31
D647,265	S	*	10/2011	Follows et al.	D32/31
2006/0053584	A1	*	3/2006	Dever	15/383
2006/0236500	A1	*	10/2006	Oh et al.	15/366
2008/0244852	A1	*	10/2008	Alton	15/179
2008/0307597	A1	*	12/2008	Davidshofer et al.	15/182
2012/0079670	A1	*	4/2012	Yoon et al.	15/319
2012/0090126	A1	*	4/2012	Kim et al.	15/319

* cited by examiner

Primary Examiner — Ruth McInroy

(74) *Attorney, Agent, or Firm* — Honigman Miller Schwartz and Cohn LLP

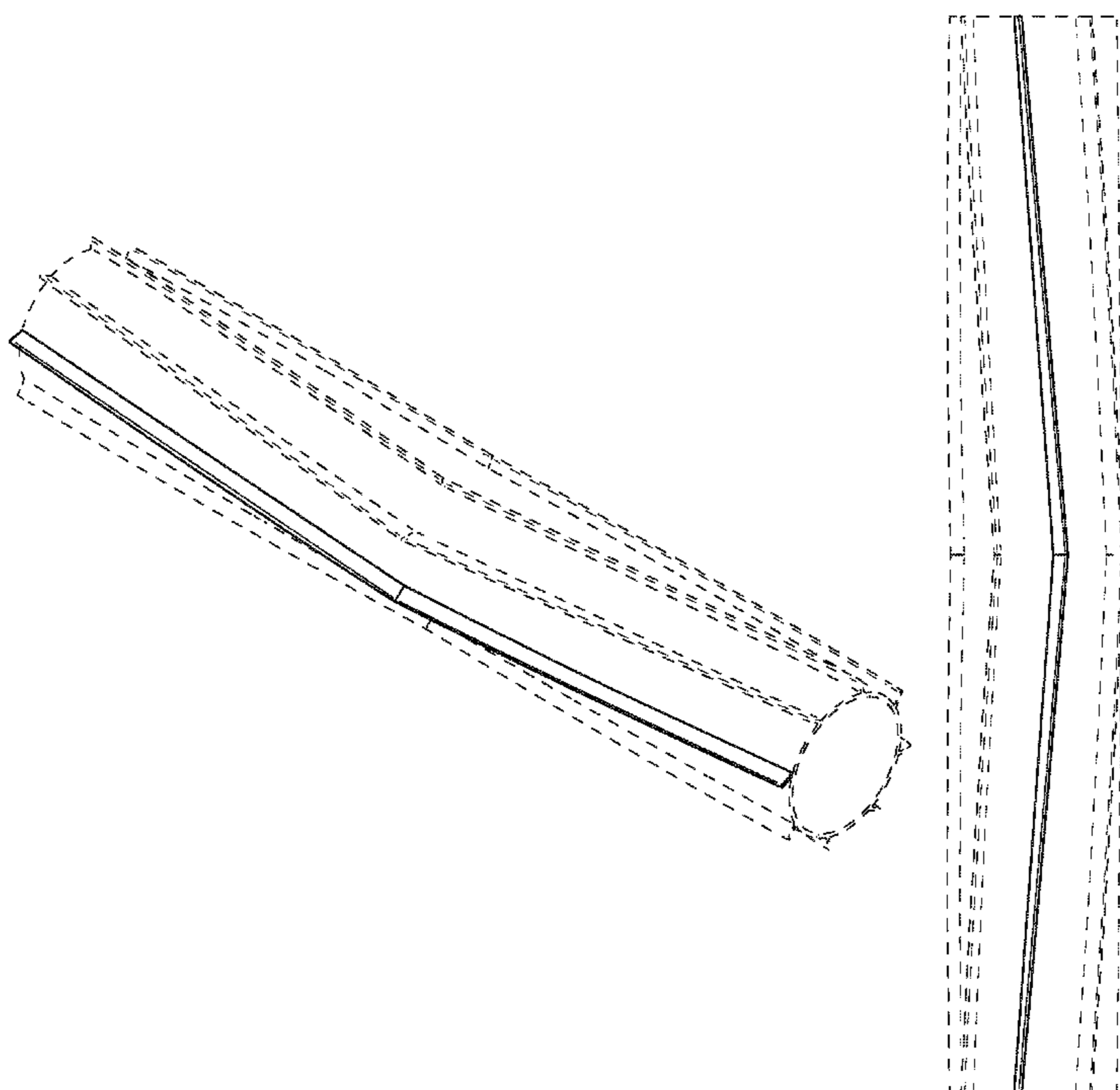
(57) **CLAIM**

The ornamental design for a cleaning element for a robotic vacuum, as shown and described.

DESCRIPTION

FIG. 1 is a front perspective view of a cleaning element for a robotic vacuum showing my new design;
FIG. 2 is a front view thereof;
FIG. 3 is a rear view thereof;
FIG. 4 is an enlarged side view thereof;
FIG. 5 is an enlarged side view of the opposite side of FIG. 4;
FIG. 6 is a top view thereof; and,
FIG. 7 is a bottom view thereof.
The portions of the cleaning element depicted in broken lines are not part of the claimed design.

1 Claim, 4 Drawing Sheets



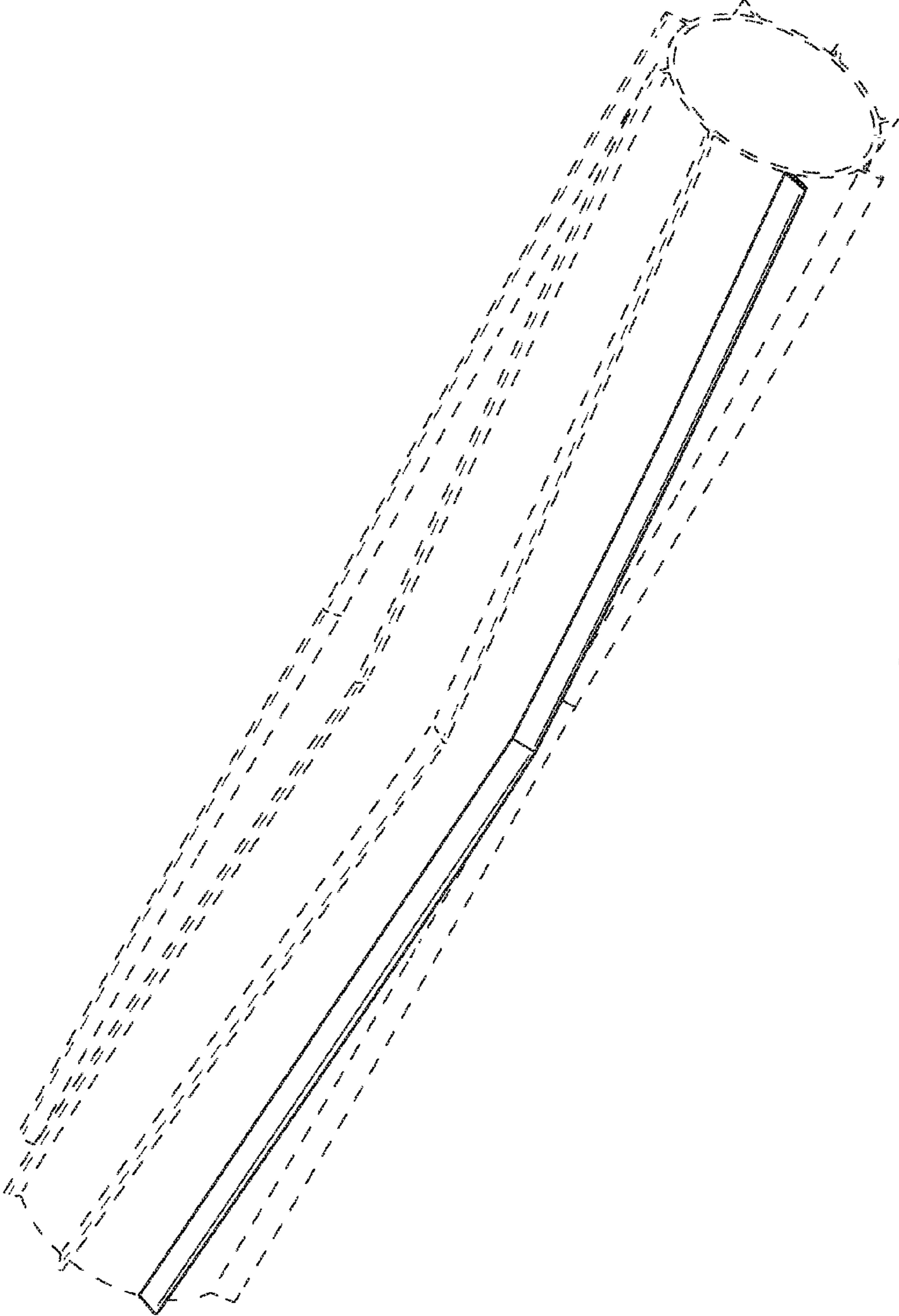


FIG. 1

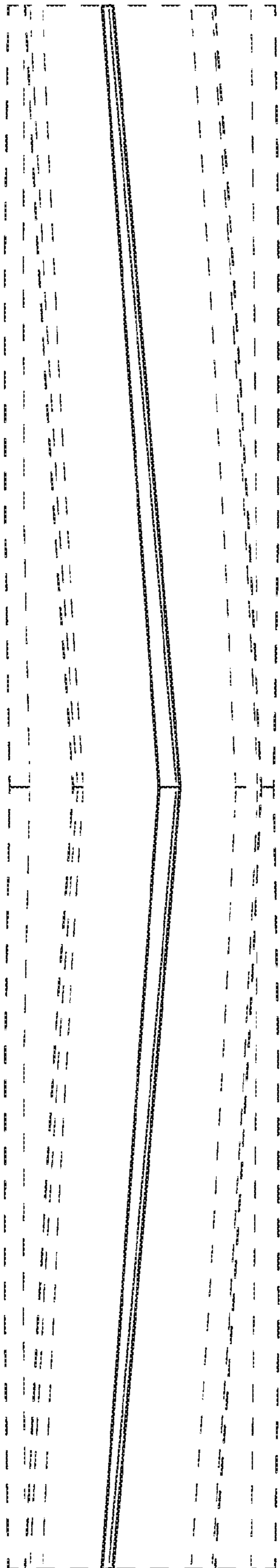


FIG. 2

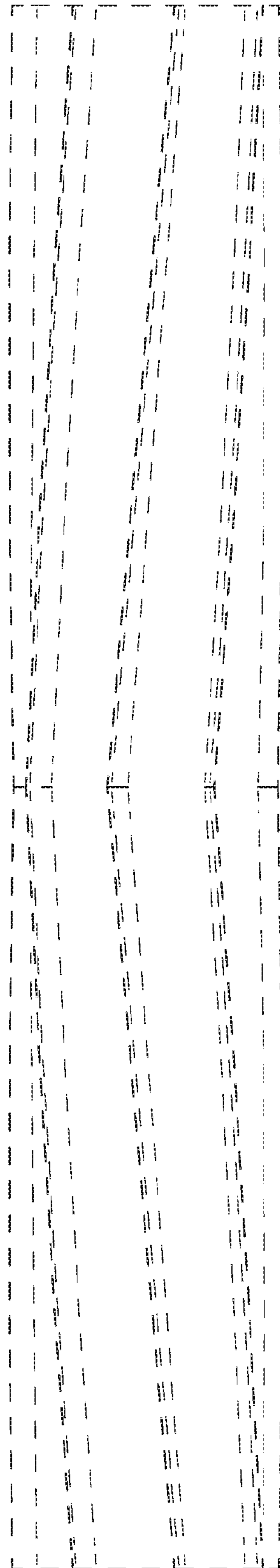


FIG. 3

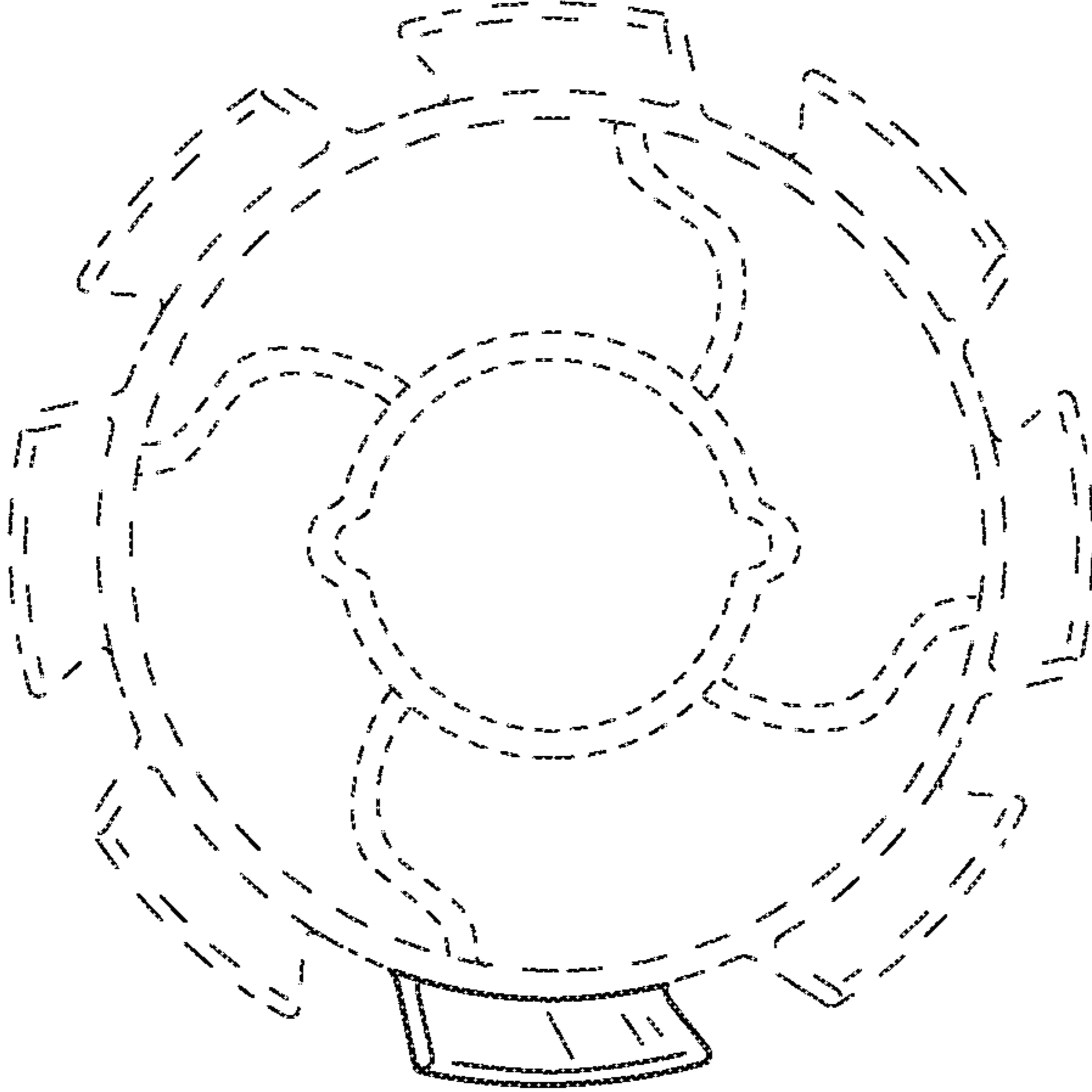


FIG. 5

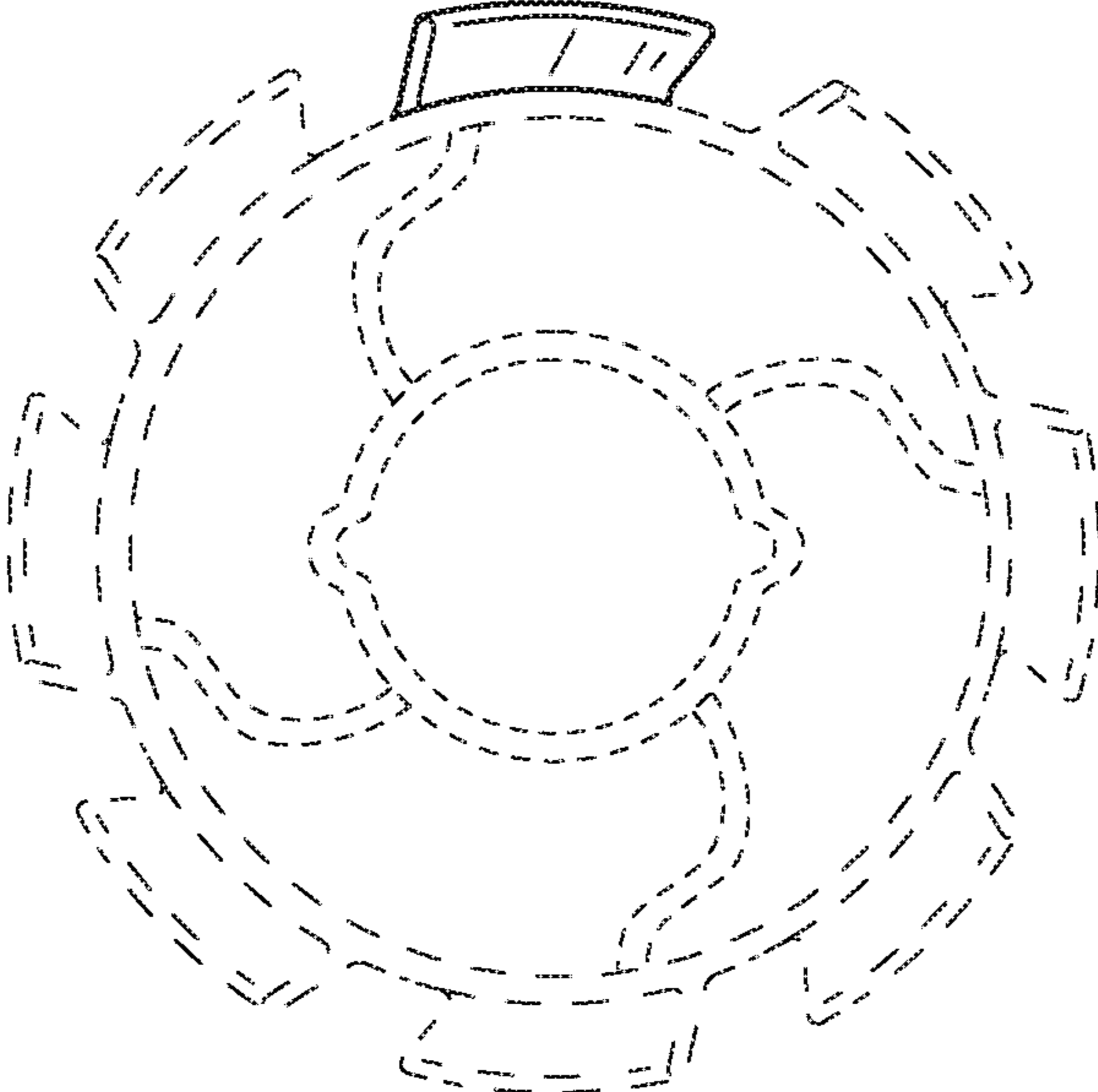


FIG. 4

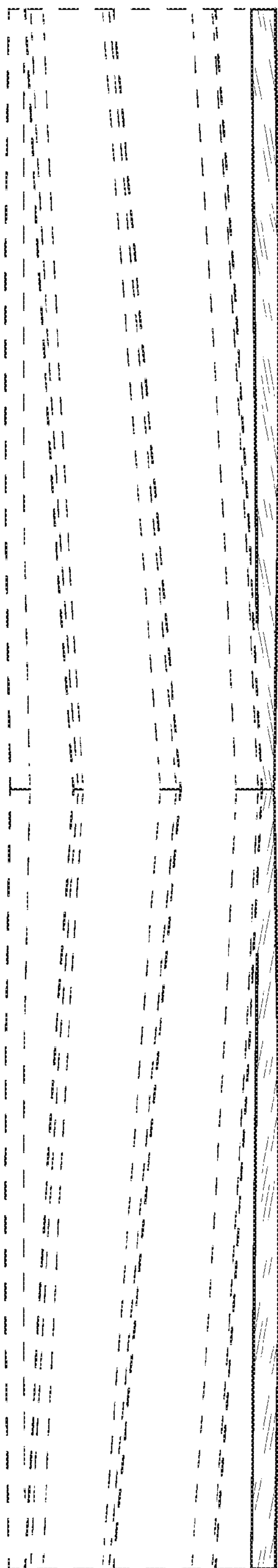


FIG. 6

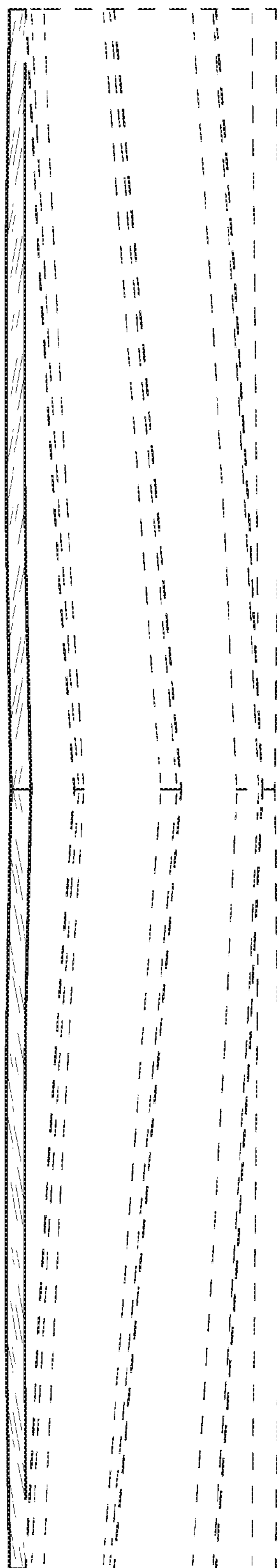


FIG. 7