



US00D699009S

(12) **United States Design Patent**
Hansen et al.

(10) **Patent No.:** **US D699,009 S**
(45) **Date of Patent:** **** Feb. 4, 2014**

(54) **PET BOWL**

(71) Applicants: **Kyle Hansen**, Castle Rock, CO (US);
Lauren Jenna Martinez, Denver, CO
(US); **Rebecca Sturges Murray**,
Denver, CO (US); **Andrew Joseph**
Valentine, Denver, CO (US); **Darren**
Macca, Longmont, CO (US)

(72) Inventors: **Kyle Hansen**, Castle Rock, CO (US);
Lauren Jenna Martinez, Denver, CO
(US); **Rebecca Sturges Murray**,
Denver, CO (US); **Andrew Joseph**
Valentine, Denver, CO (US); **Darren**
Macca, Longmont, CO (US)

(**) Term: **14 Years**

(21) Appl. No.: **29/466,820**

(22) Filed: **Sep. 11, 2013**

(51) **LOC (10) Cl.** **30-03**

(52) **U.S. Cl.**
USPC **D30/121**

(58) **Field of Classification Search**
USPC D30/199, 160, 155, 118, 121, 122,
D30/128-133; D5/65, 99; D10/104;
D13/168; D11/127, 121, 125;
119/61.5, 51.01, 61.56, 51.03, 59, 62,
119/63, 51.5, 57.8, 74, 61.54, 61.55, 53,
119/53.5, 75, 51.02, 52.3, 57.9, 77, 707,
119/711; D21/656, 576, 577, 584, 585,
D21/590, 595, 362, 363, 350, 360, 334, 347,
D21/338, 340, 339, 343; 273/447
See application file for complete search history.

(56) **References Cited**

U.S. PATENT DOCUMENTS

446,872 A * 2/1891 Lightner 273/113
456,826 A * 7/1891 Jenne 273/113
496,202 A * 4/1893 Leighton 273/109
D25,252 S * 3/1896 Hall D21/340
D25,449 S * 4/1896 Garland D21/340

D25,816 S * 7/1896 Jones D21/340
D26,162 S * 10/1896 Bitter D21/340
D26,165 S * 10/1896 Schmidt D21/340
D26,186 S * 10/1896 Schwartz D21/340
574,158 A * 12/1896 Mapel 273/115
D26,747 S * 3/1897 Simcoe D21/340
D26,911 S * 4/1897 Reed D21/340
D27,046 S * 5/1897 Moody D21/340
D27,119 S * 5/1897 Mahood D21/340
D28,316 S * 2/1898 Berryman D21/340
D28,614 S * 5/1898 Clarke D21/340
D29,196 S * 8/1898 Riley et al. D21/340
D29,249 S * 8/1898 Harris D21/340
D30,825 S * 5/1899 Schneider D21/340
D32,933 S * 7/1900 Feigl D21/340
D33,099 S * 8/1900 Fritsche D21/340
D34,556 S * 5/1901 Appleton D21/340
D35,083 S * 9/1901 Sharp D21/340
D35,543 S * 12/1901 Vogelsgesang D21/340
855,919 A * 6/1907 Wood 273/112
939,050 A * 11/1909 Matthews 273/109
D49,847 S * 11/1916 McKoy D21/340
D56,150 S * 8/1920 Guerin D21/340
D58,829 S * 8/1921 Rode D21/340
D60,450 S * 2/1922 Escobar et al. D21/340

(Continued)

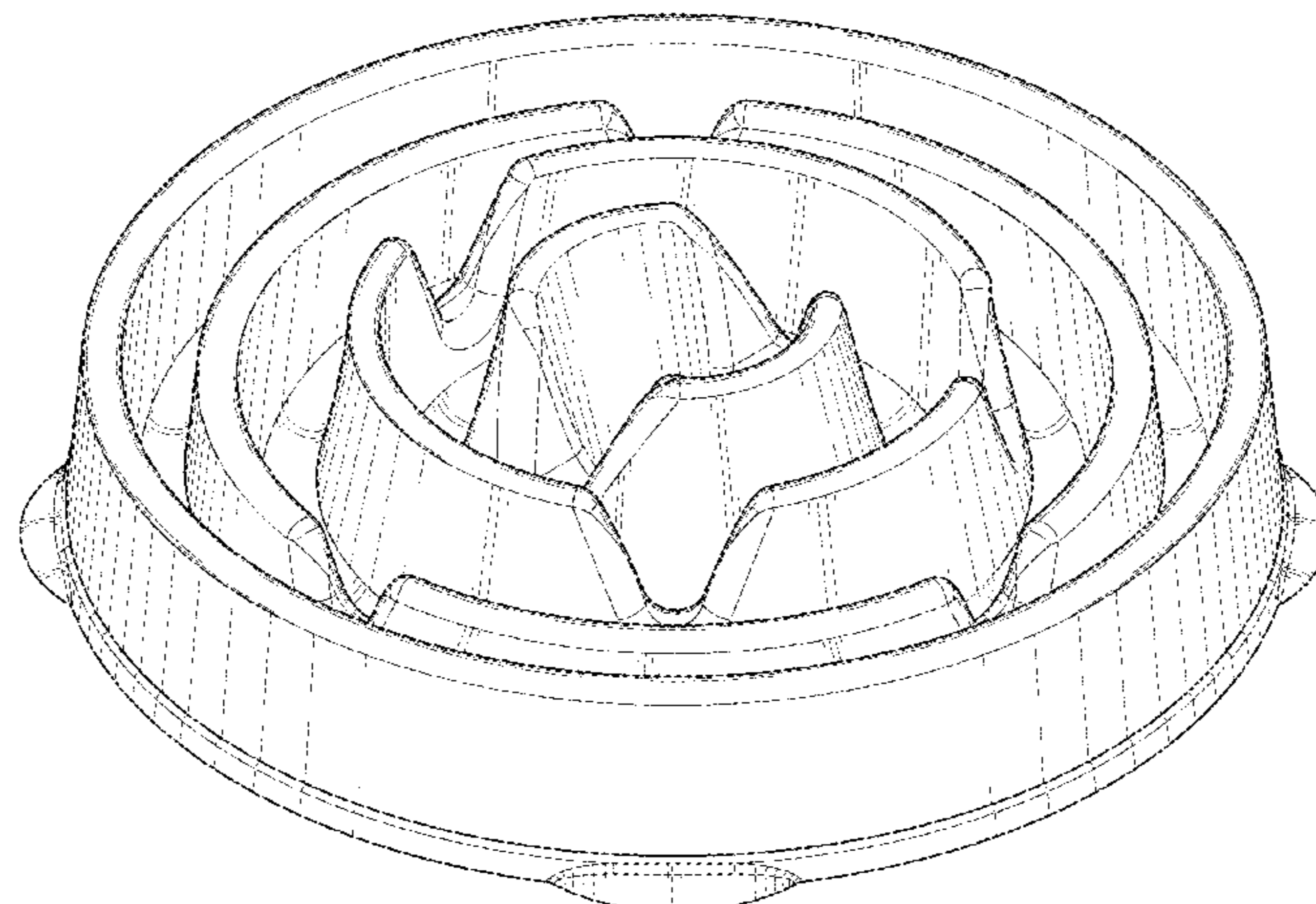
Primary Examiner — Susan Moon Lee

(57) **CLAIM**
We claim the ornamental design for a pet bowl, as shown and described.

DESCRIPTION

FIG. 1 is a top perspective view of a pet bowl showing our new design;
FIG. 2 is a first side elevation view thereof;
FIG. 3 is a second side elevation view thereof;
FIG. 4 is a third side elevation view thereof;
FIG. 5 is a fourth side elevation view thereof;
FIG. 6 is a top plan view thereof; and,
FIG. 7 is a bottom view thereof.
Broken lines and portions contained within unshaded broken lines are not claimed.
The pet bowl has a flat bottom and a top which is shaped such that an animal will eat slowly.

1 Claim, 5 Drawing Sheets



(56)

References Cited

U.S. PATENT DOCUMENTS

D68,645 S * 11/1925 Rode D21/340
 1,581,772 A * 4/1926 Williams 273/115
 D83,140 S * 1/1931 Wolf D21/340
 D92,874 S * 7/1934 Baltzley D21/340
 2,011,266 A * 8/1935 Boynton 273/153 R
 D106,454 S * 10/1937 Rubino D21/340
 2,563,608 A * 8/1951 Laufer 273/109
 D171,950 S * 4/1954 Moore D24/194
 D187,032 S * 1/1960 Miller D21/340
 3,011,288 A * 12/1961 Einfalt 446/444
 3,260,236 A * 7/1966 Jones 119/417
 D207,853 S * 6/1967 Jaffe D21/340
 D208,642 S * 9/1967 Taylor D21/340
 3,502,335 A * 3/1970 Sholin 473/588
 3,552,750 A * 1/1971 Lomberk et al. 273/112
 3,589,060 A * 6/1971 Genin 446/246
 3,747,930 A * 7/1973 Barlow 273/113
 3,751,849 A * 8/1973 Goldfarb et al. 446/246
 3,754,759 A * 8/1973 Breslow et al. 273/440
 3,809,407 A * 5/1974 Quigley 273/241
 3,811,676 A * 5/1974 Greenberg 273/110
 3,829,096 A * 8/1974 Gioia et al. 273/110
 3,844,562 A * 10/1974 Foley et al. 273/110
 3,954,262 A * 5/1976 Weber 273/447
 4,036,178 A * 7/1977 Lee et al. 119/51.02
 D245,436 S * 8/1977 Zelenko D21/340
 D252,165 S * 6/1979 Wolf D21/360
 4,163,558 A * 8/1979 Jaworski et al. 273/115
 4,251,075 A * 2/1981 Jaworski et al. 273/113
 4,292,756 A * 10/1981 Jaworski et al. 446/246
 4,332,385 A * 6/1982 McCaslin 273/113
 D270,258 S * 8/1983 Iwaya et al. D21/336
 D273,314 S * 4/1984 McCoy et al. D21/694
 4,477,080 A * 10/1984 Baker 273/241
 4,550,912 A * 11/1985 Allen 273/113
 4,570,935 A * 2/1986 Stefanini 273/153 R
 D286,062 S * 10/1986 Kernea et al. D21/347
 4,632,391 A * 12/1986 Orak 482/110
 4,667,960 A * 5/1987 Stefanini 273/153 R
 4,674,749 A * 6/1987 Shaffer et al. 273/153 R
 4,722,299 A * 2/1988 Mohr 119/707
 4,772,240 A * 9/1988 Boskovic 446/170
 D299,771 S * 2/1989 Kennedy
 4,919,083 A * 4/1990 Axelrod 119/710
 4,946,168 A * 8/1990 Fauls 273/241
 4,986,547 A * 1/1991 Zarnoti 273/241
 5,009,193 A * 4/1991 Gordon 119/711
 5,041,048 A * 8/1991 Lehmann et al. 446/236
 5,042,808 A * 8/1991 Shoptaugh 273/110
 5,069,459 A * 12/1991 Zarnoti 273/241
 5,205,558 A * 4/1993 Wilson 273/153 R
 D335,553 S * 5/1993 Conner D30/160
 D335,554 S * 5/1993 Conner D30/160
 5,207,793 A * 5/1993 Brand et al. 273/445
 5,269,261 A * 12/1993 McCance 119/706

D345,633 S * 3/1994 McCance D30/160
 5,310,190 A * 5/1994 Morris 273/243
 5,342,064 A * 8/1994 Williamson et al. 273/447
 D359,822 S * 6/1995 McCance D30/160
 5,517,948 A * 5/1996 Udelle et al. 119/706
 5,529,017 A * 6/1996 Udelle et al. 119/707
 5,540,187 A * 7/1996 Udelle et al. 119/706
 5,544,623 A * 8/1996 Udelle et al. 119/706
 5,572,955 A * 11/1996 Boshears 119/706
 5,579,725 A * 12/1996 Boshears 119/706
 D393,110 S * 3/1998 Mauldin, Jr. D30/160
 5,809,938 A * 9/1998 Baiera et al. 119/707
 D405,563 S * 2/1999 Baiera et al. D30/160
 5,881,679 A * 3/1999 Hann 119/708
 D412,768 S * 8/1999 Huettnner et al. D30/160
 D416,052 S * 11/1999 Szumer D21/340
 D418,058 S * 12/1999 Chatterton et al. D9/434
 D423,601 S * 4/2000 Seifert et al. D21/360
 D428,449 S * 7/2000 Christianson D21/398
 D429,502 S * 8/2000 Christianson D21/451
 6,290,230 B1 * 9/2001 Anthony 273/447
 D453,240 S * 1/2002 Simon D30/160
 D453,400 S * 2/2002 Kaplan D30/160
 6,510,817 B2 * 1/2003 Horvath 119/707
 D495,756 S * 9/2004 Carley et al. D21/405
 D497,956 S * 11/2004 Breslow et al. D21/303
 6,945,195 B1 * 9/2005 Morrison 119/707
 D526,029 S * 8/2006 Ragonetti et al. D21/444
 D535,337 S * 1/2007 Liu D21/360
 D535,704 S * 1/2007 Chow D21/360
 D537,119 S * 2/2007 Traub D19/59
 D560,254 S * 1/2008 Meyer D21/303
 7,320,296 B2 * 1/2008 Morrison 119/707
 D606,277 S * 12/2009 Hachmann D1/106
 D606,713 S * 12/2009 Kellogg et al. D30/160
 7,661,394 B2 * 2/2010 Plante 119/707
 D616,616 S * 5/2010 Byrne D30/160
 7,806,087 B2 * 10/2010 Plante 119/707
 D633,661 S * 3/2011 Kellogg et al. D30/160
 7,895,975 B2 * 3/2011 Markham
 7,915,034 B2 * 3/2011 Cecchi et al. 435/288.5
 7,976,355 B2 * 7/2011 McAnulty 446/46
 D656,282 S * 3/2012 Dixon et al. D30/160
 D660,915 S * 5/2012 Chiu D21/340
 D660,916 S * 5/2012 Chiu D21/340
 D676,203 S * 2/2013 Hansen D30/199
 D676,619 S * 2/2013 Hansen D30/199
 8,418,657 B2 * 4/2013 Dixon et al. 119/711
 D693,972 S * 11/2013 Price et al. D30/160
 2002/0174839 A1 * 11/2002 Horvath 119/707
 2005/0167909 A1 * 8/2005 Race 273/110
 2006/0091604 A1 * 5/2006 Sargent 273/241
 2007/0126185 A1 * 6/2007 Fukuzawa et al. 273/447
 2008/0141945 A1 * 6/2008 Markham
 2009/0095229 A1 * 4/2009 Plante 119/707
 2010/0003374 A1 * 1/2010 Hachmann 426/104
 2011/0260408 A1 * 10/2011 Ritter et al. 273/447

* cited by examiner

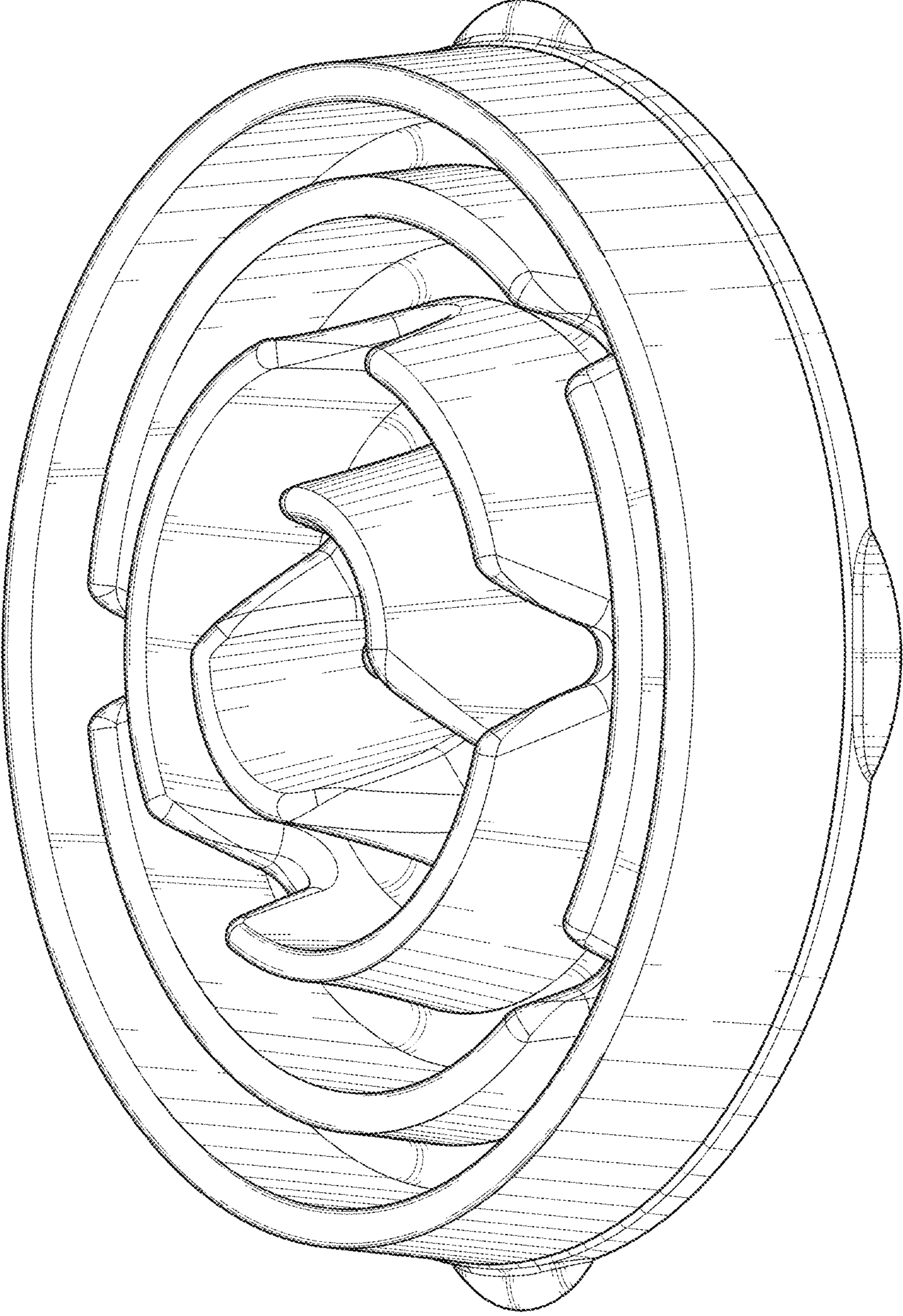


FIG. 1

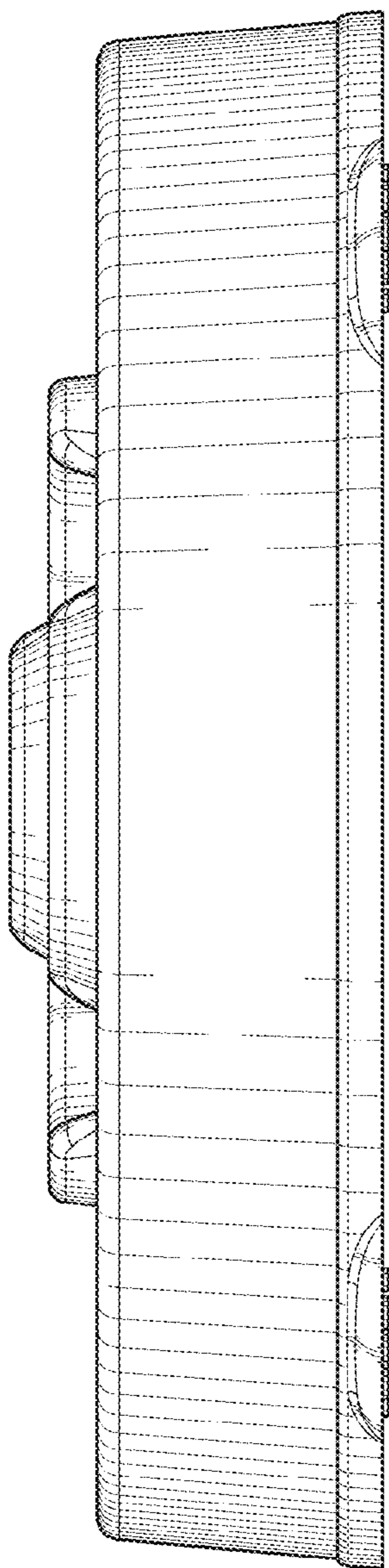


FIG. 2

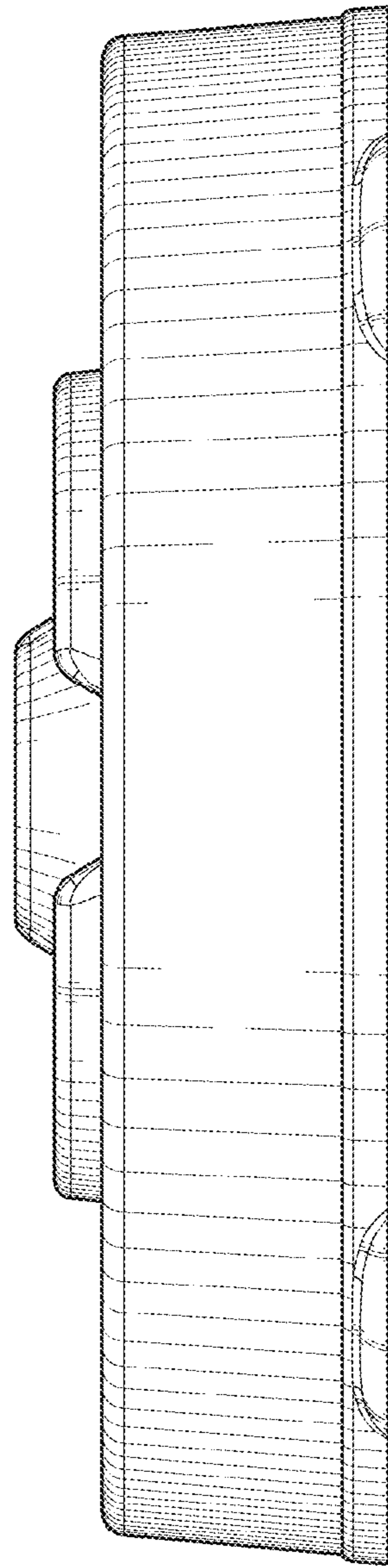


FIG. 3

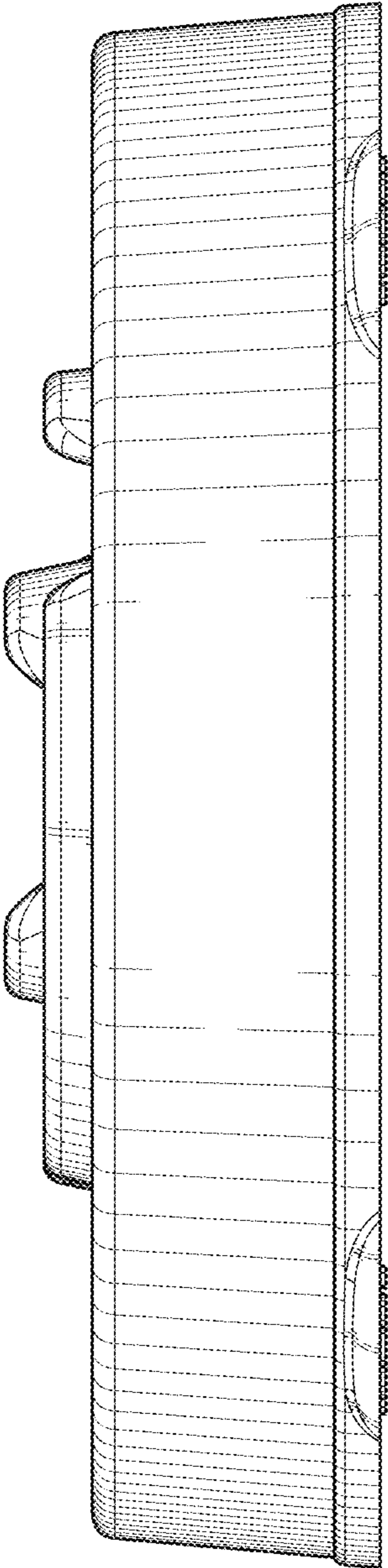


FIG. 4

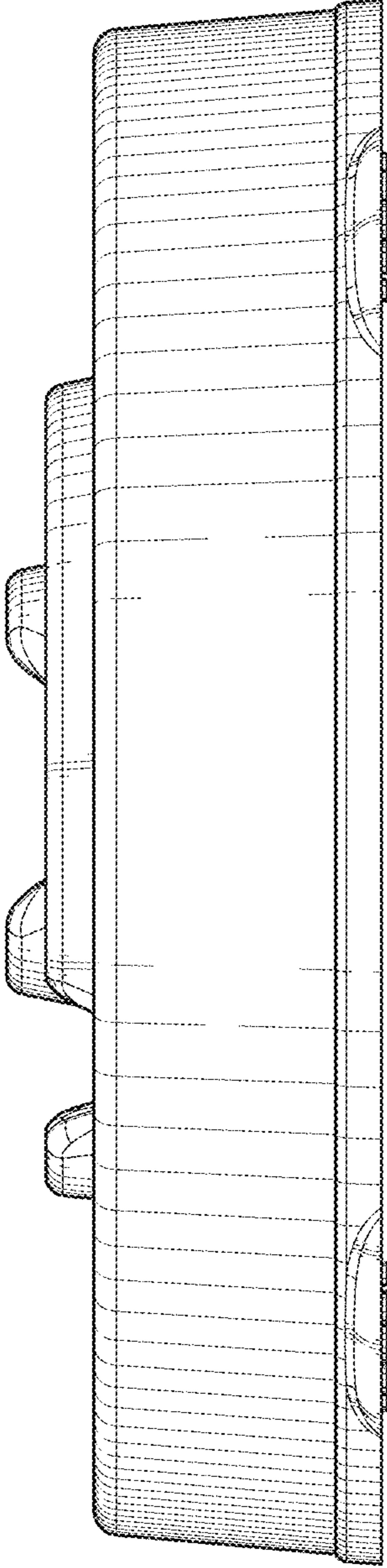


FIG. 5

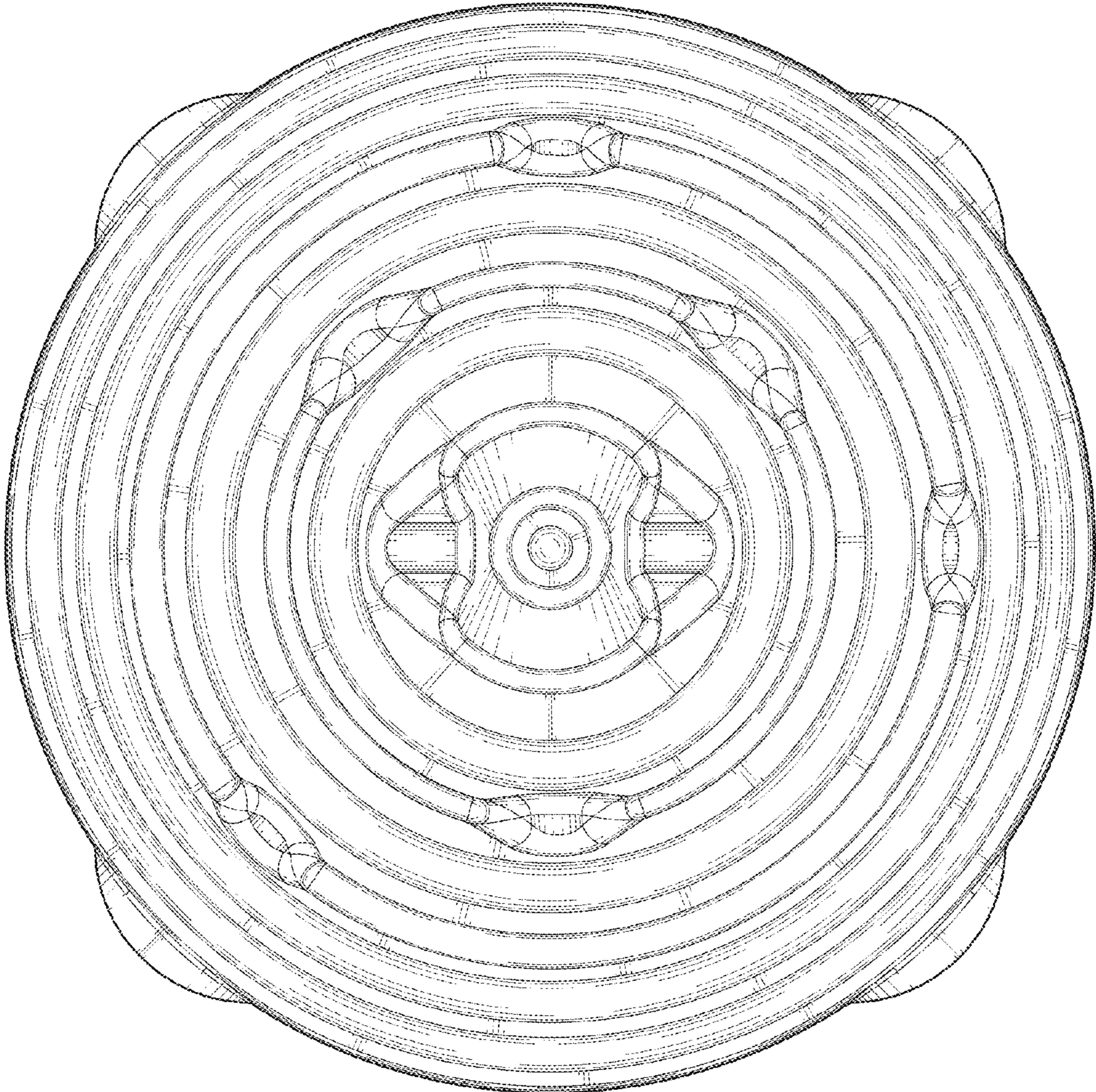


FIG. 6

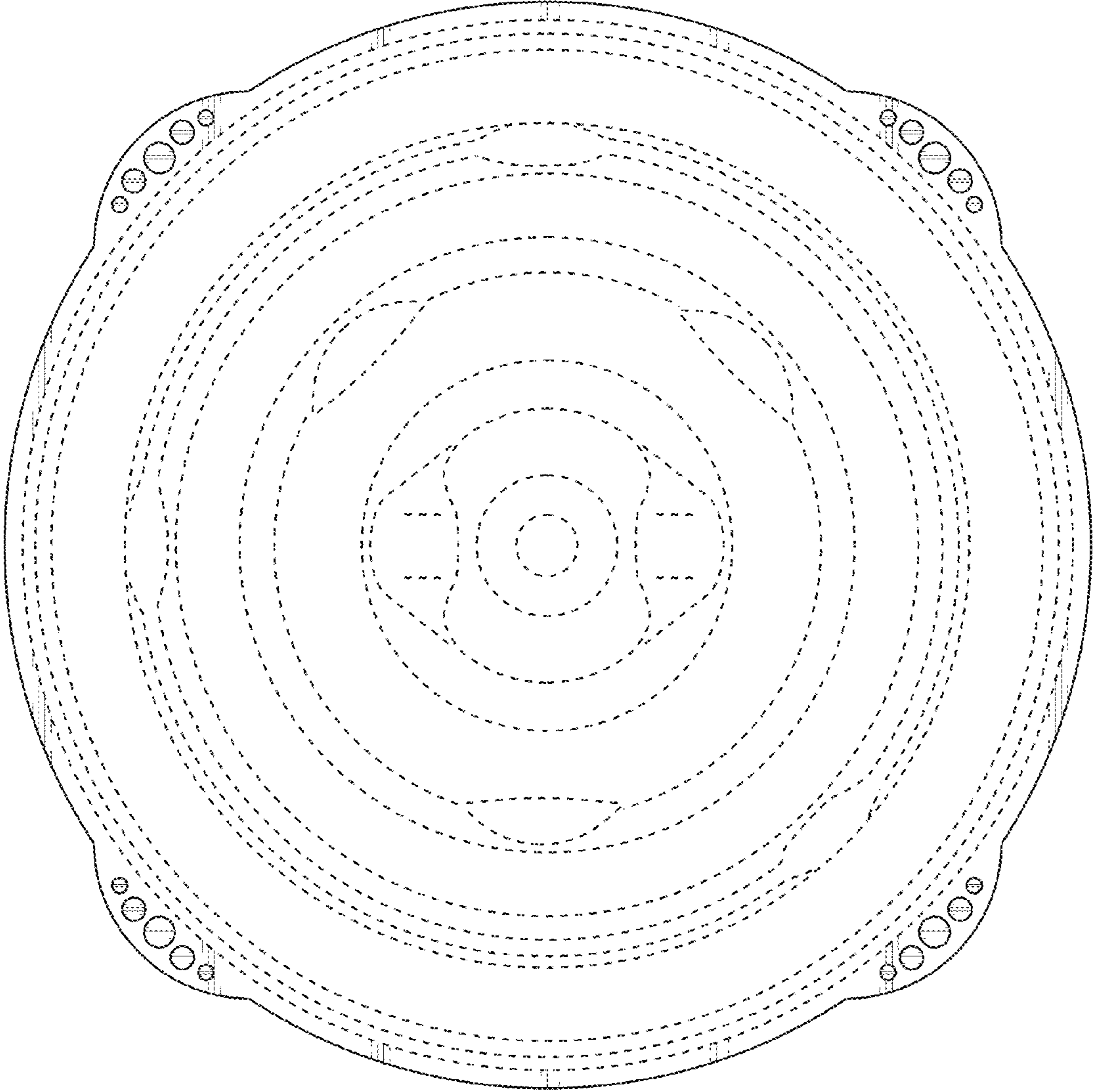


FIG. 7