



US00D699008S

(12) **United States Design Patent**
Wang

(10) **Patent No.:** **US D699,008 S**

(45) **Date of Patent:** **** Feb. 4, 2014**

(54) **REPTILE BREEDING TANK**

(71) Applicant: **Eiko Electric Products Corp.**, Taipei (TW)

(72) Inventor: **Yu-Chin Wang**, Taipei (TW)

(73) Assignee: **Eiko Electric Products Corp.**, Taipei (TW)

(**) Term: **14 Years**

(21) Appl. No.: **29/447,594**

(22) Filed: **Mar. 5, 2013**

(51) **LOC (10) Cl.** **30-02**

(52) **U.S. Cl.**
USPC **D30/108**

(58) **Field of Classification Search**
USPC D30/108-109, 112-117, 160-161, 101;
119/452-453, 474, 481-482, 489, 491,
119/494, 496-498, 501, 513-514, 246, 266
See application file for complete search history.

(56) **References Cited**

U.S. PATENT DOCUMENTS

D158,074	S	*	4/1950	Hollick-Smith	D30/101
3,791,346	A	*	2/1974	Willinger et al.	119/456
5,092,269	A	*	3/1992	Phillips et al.	119/452
5,307,762	A	*	5/1994	Englert	119/266
D347,913	S	*	6/1994	Wellington et al.	D30/108
D353,030	S	*	11/1994	Fernandez	D30/110
5,363,801	A	*	11/1994	Watters et al.	119/452

D357,556	S	*	4/1995	Hashimoto	D30/101
5,408,955	A	*	4/1995	Tsuchiya	119/266
D361,165	S	*	8/1995	Ichikawa	D30/101
D366,735	S	*	1/1996	Ichikawa	D30/101
5,762,026	A	*	6/1998	Watters	119/452
5,794,567	A	*	8/1998	Itzhak	119/416
6,044,799	A	*	4/2000	Tominaga	119/472
D448,124	S	*	9/2001	Wang	D30/101
7,044,081	B1	*	5/2006	Bridges	119/246
7,121,229	B2	*	10/2006	Hong	119/421
D566,147	S	*	4/2008	Chan	D30/108
D596,808	S	*	7/2009	Belter	D30/101
D612,999	S	*	3/2010	Migita	D30/108
7,886,696	B2	*	2/2011	Marks et al.	119/266
D683,080	S	*	5/2013	Snow	D30/108

* cited by examiner

Primary Examiner — Cathy A MacCormac

(74) *Attorney, Agent, or Firm* — Guice Patents PLLC

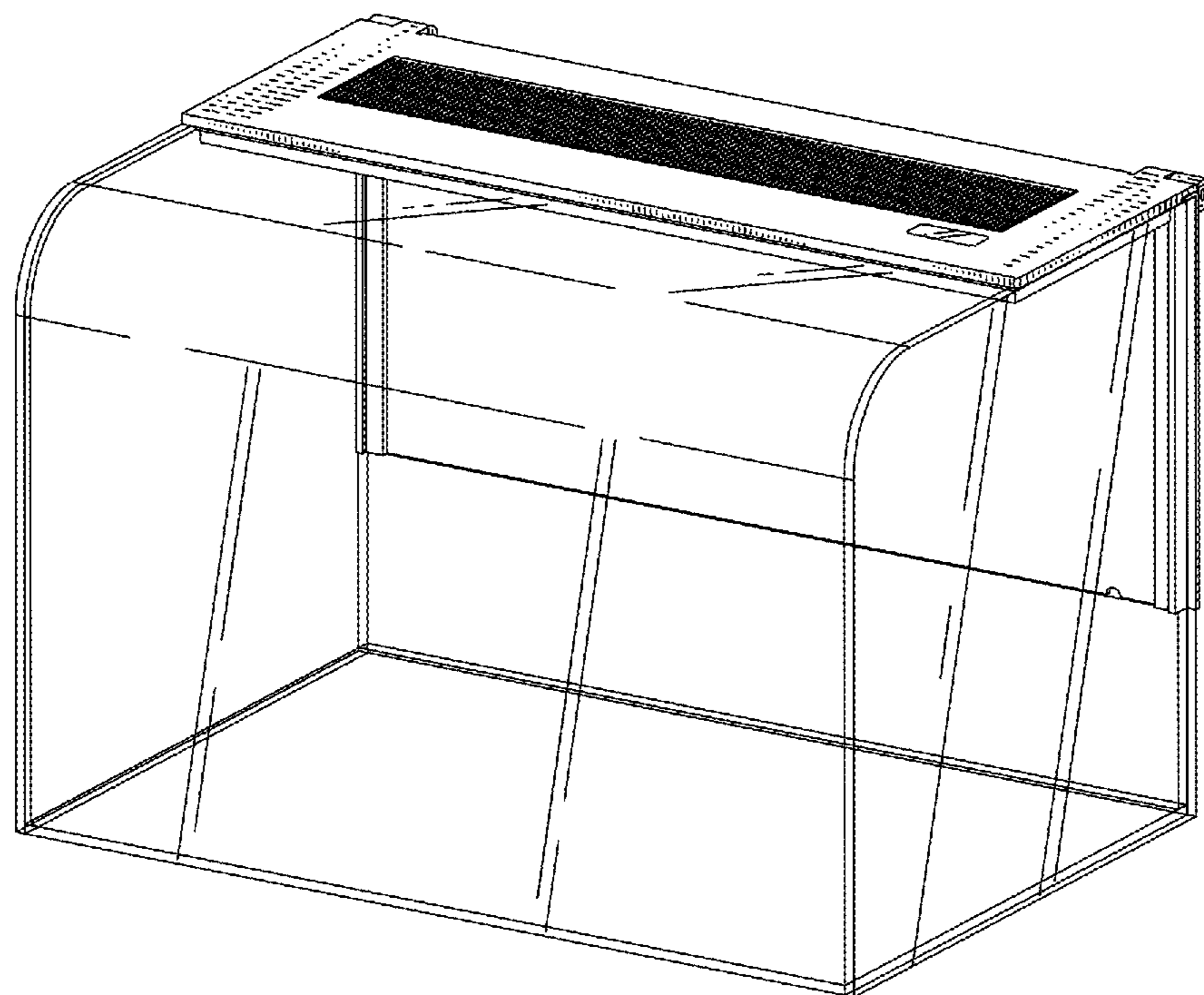
(57) **CLAIM**

The ornamental design for a reptile breeding tank, as shown and described.

DESCRIPTION

FIG. 1 is a perspective view of a reptile breeding tank showing my new design;
FIG. 2 is a front elevation view thereof;
FIG. 3 is a rear elevation view thereof;
FIG. 4 is a left side elevation view thereof;
FIG. 5 is a right side elevation view thereof;
FIG. 6 is a top view thereof; and,
FIG. 7 is a bottom view thereof.

1 Claim, 7 Drawing Sheets



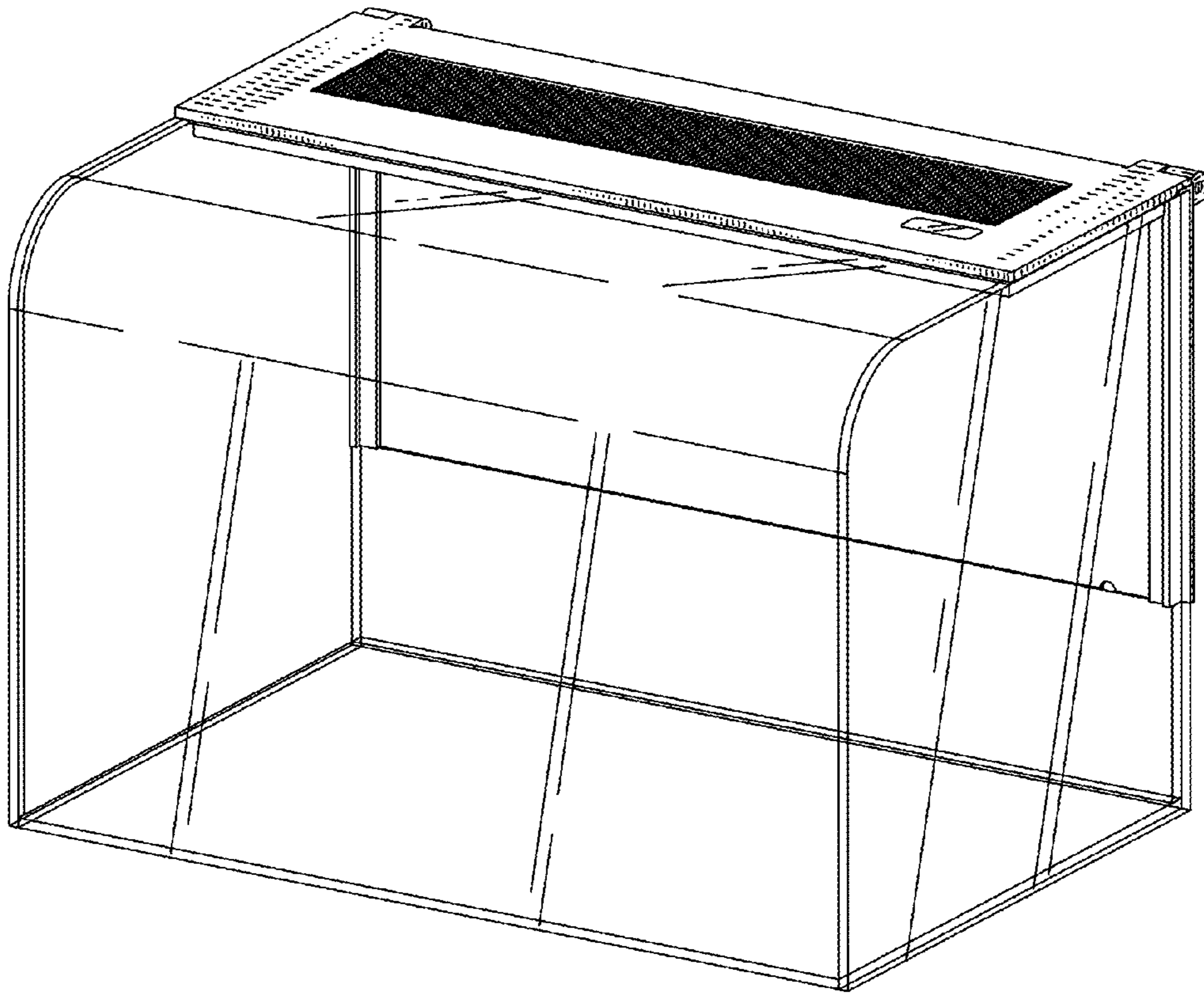


FIG. 1

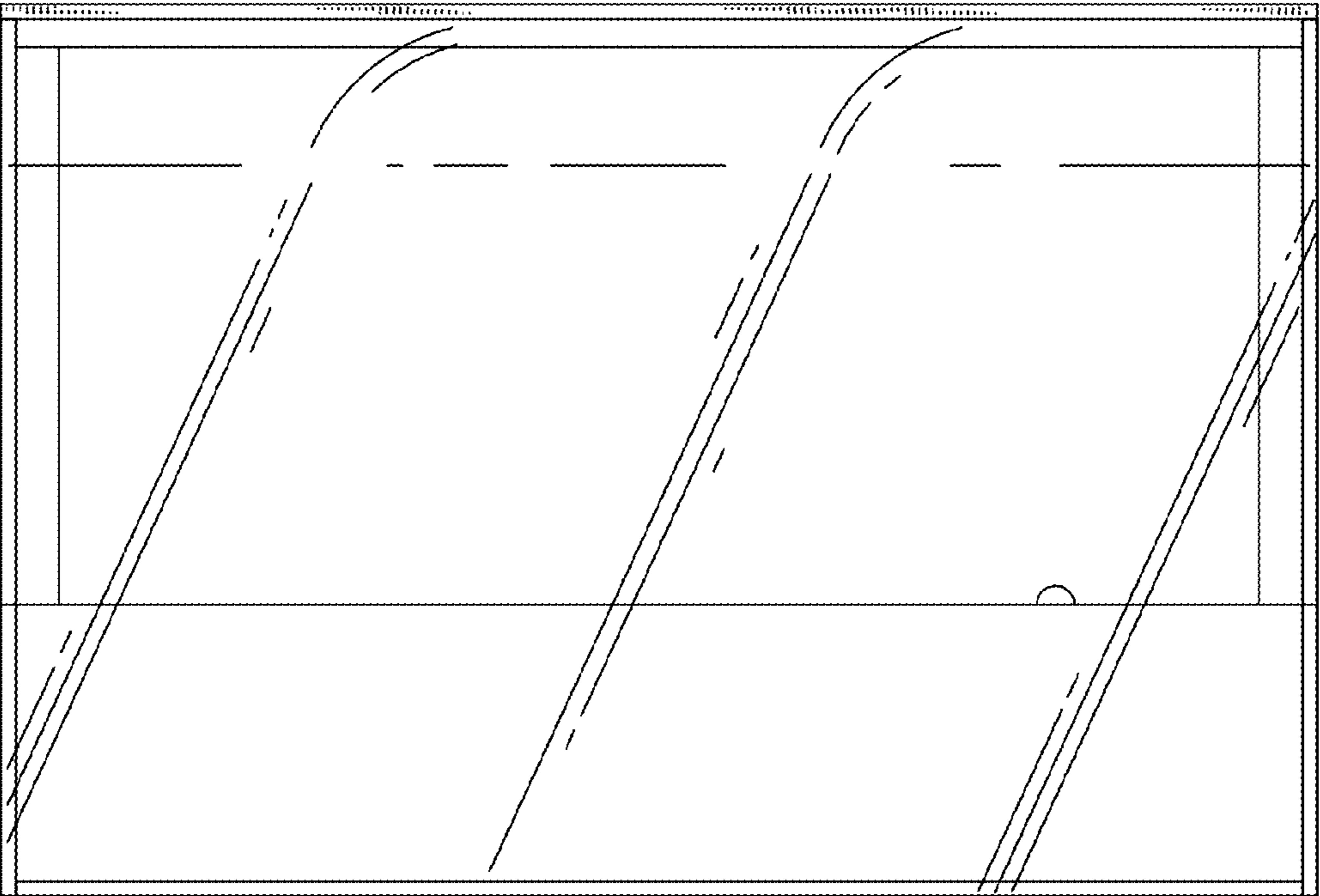


FIG. 2

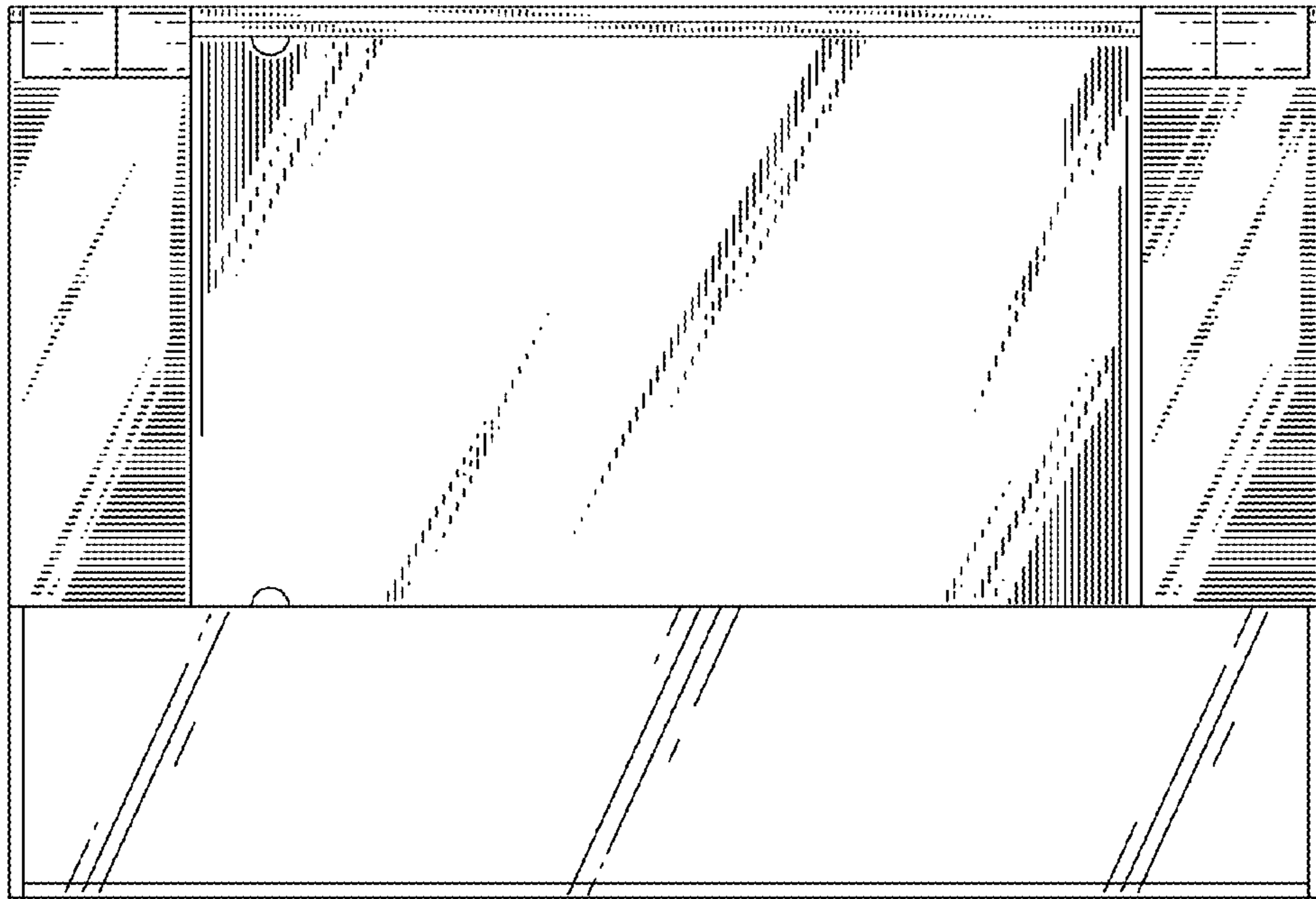


FIG. 3

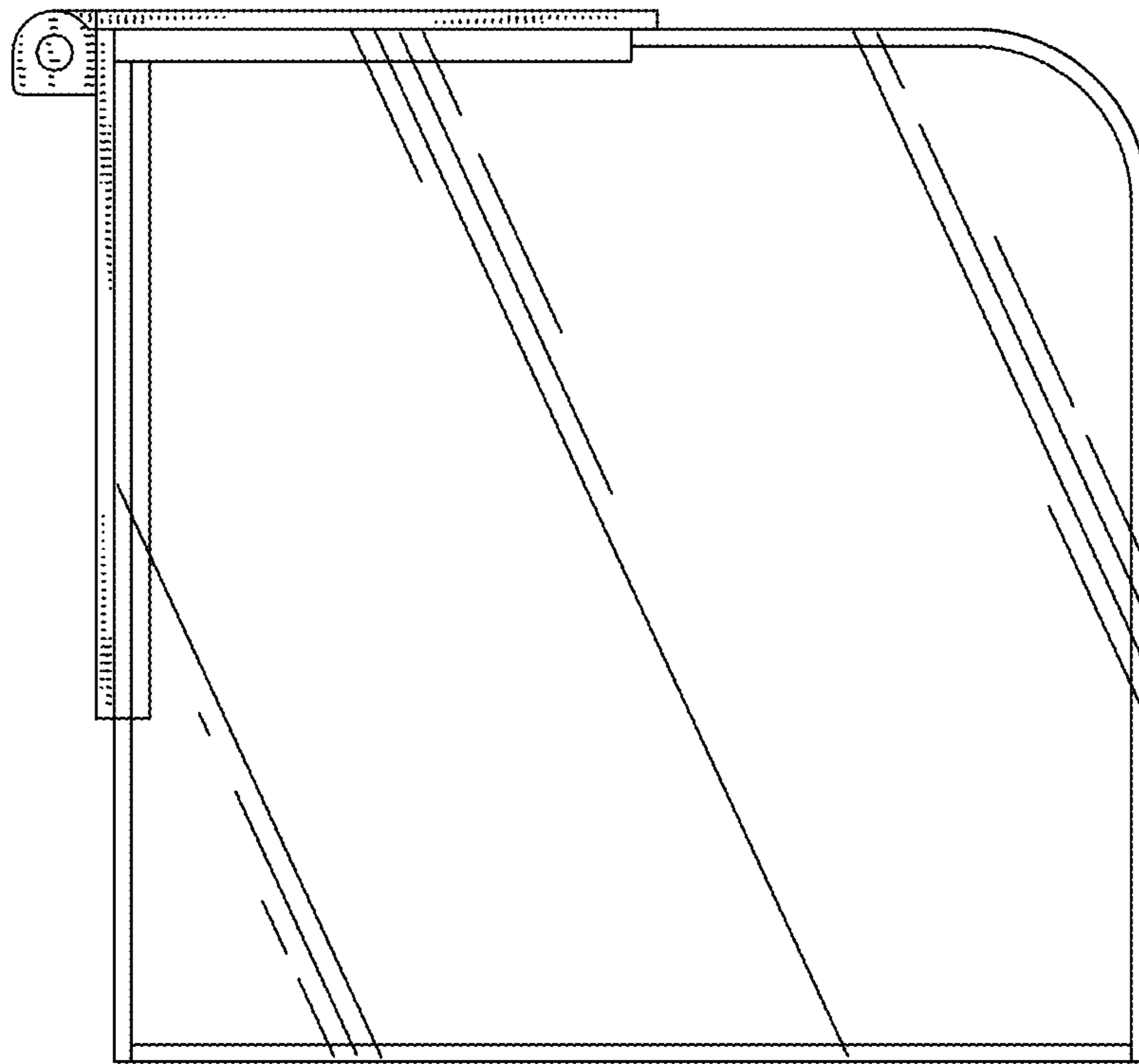


FIG. 4

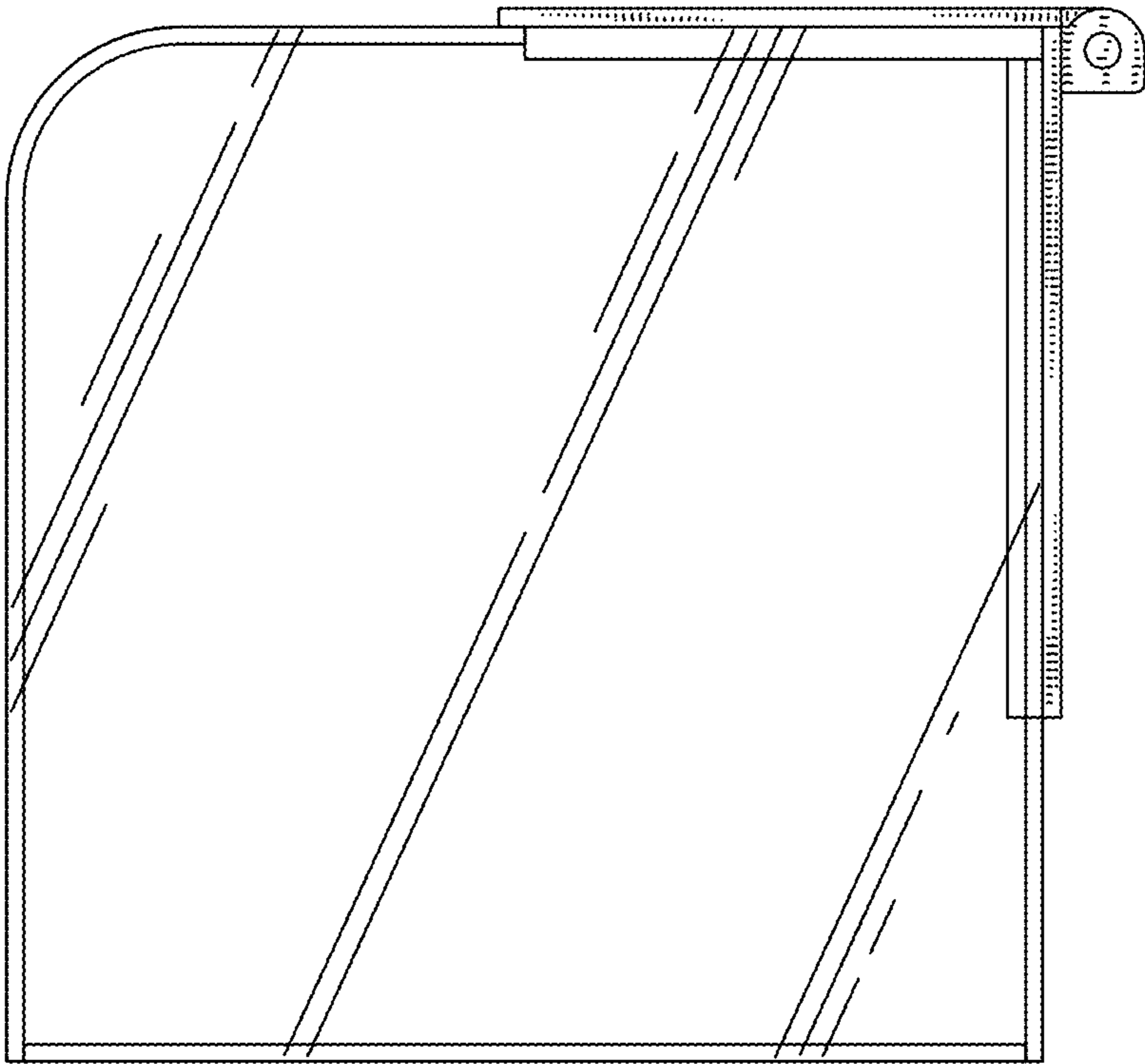


FIG. 5

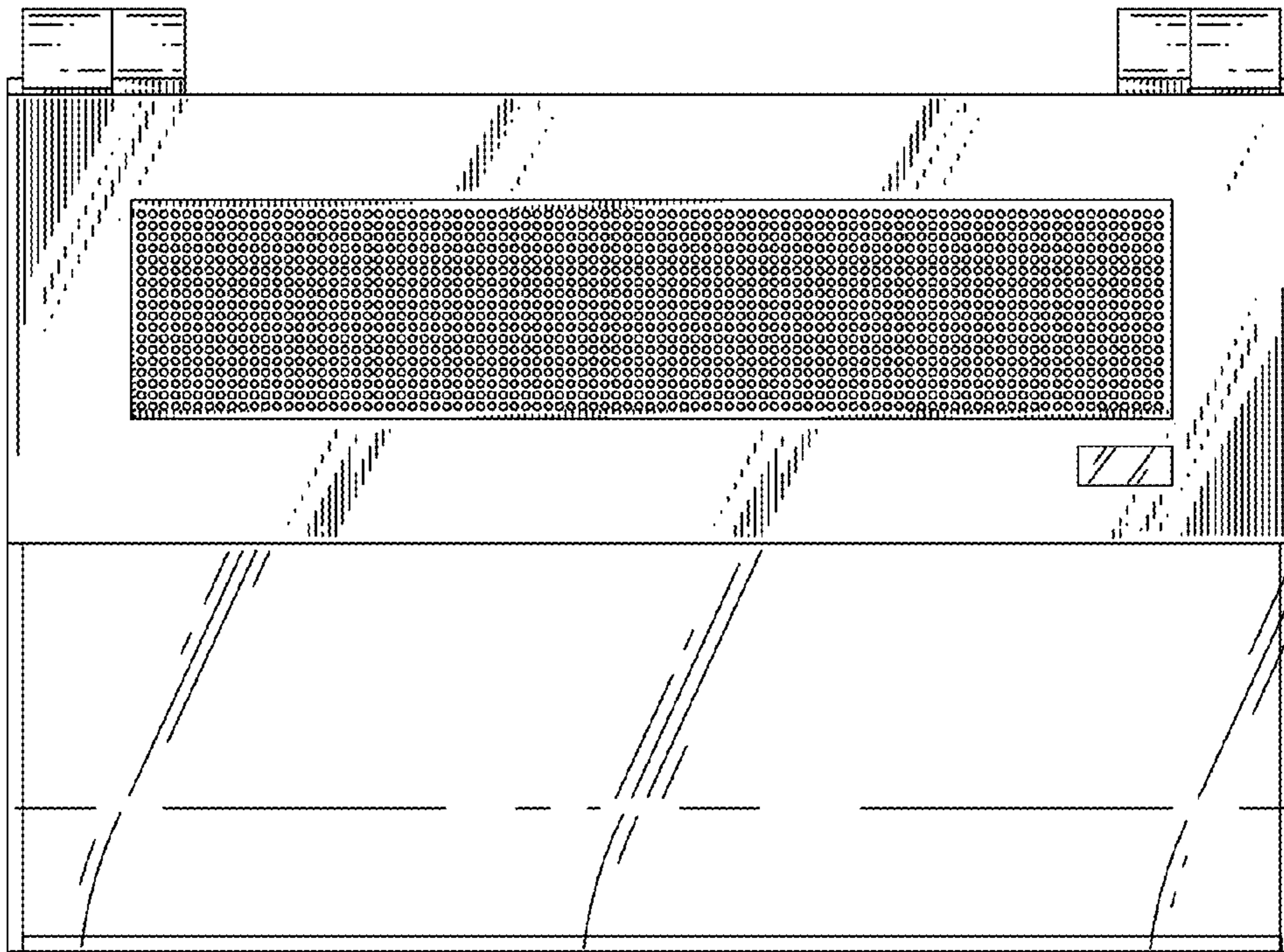


FIG. 6

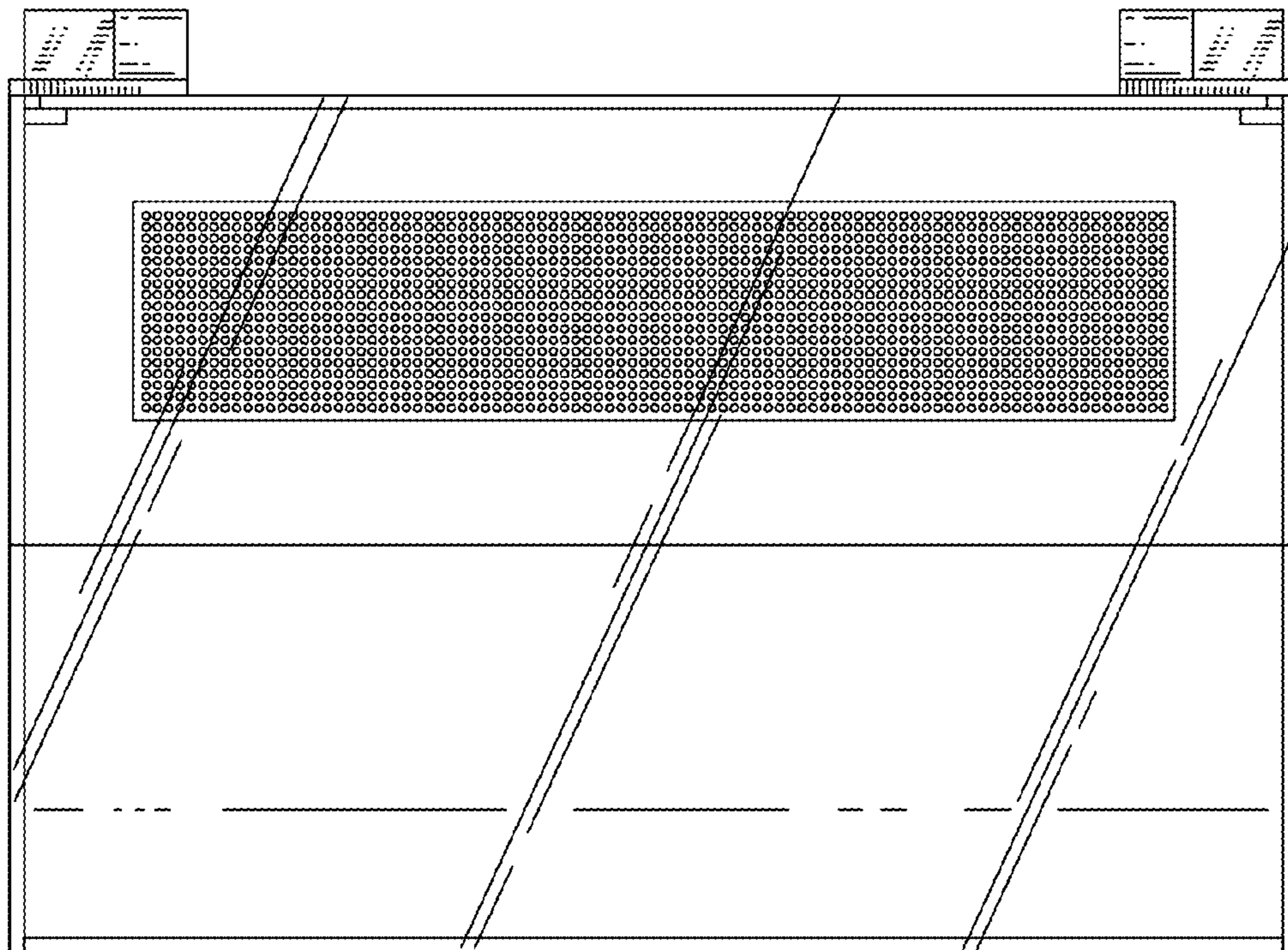


FIG. 7