

US00D699001S

(12) **United States Design Patent**
Kennard, Jr.

(10) **Patent No.:** **US D699,001 S**
(45) **Date of Patent:** **** Feb. 4, 2014**

(54) **AUTOMATIC BACK CLEANER AND TRACK SYSTEM**

(71) Applicant: **Edsel C. Kennard, Jr.**, Bear, DE (US)

(72) Inventor: **Edsel C. Kennard, Jr.**, Bear, DE (US)

(**) Term: **14 Years**

(21) Appl. No.: **29/445,857**

(22) Filed: **Feb. 18, 2013**

Related U.S. Application Data

(63) Continuation of application No. 12/701,645, filed on Feb. 8, 2010, now abandoned.

(51) **LOC (10) Cl.** **28-03**

(52) **U.S. Cl.**
USPC **D28/63**

(58) **Field of Classification Search**
USPC D28/63; 4/559, 604-606; 15/21.1, 88.2, 15/97.1; 601/112, 114, 136, 154
See application file for complete search history.

(56) **References Cited**

U.S. PATENT DOCUMENTS

2,901,760	A *	9/1959	Nelson	15/160
3,078,484	A *	2/1963	Briggs	15/21.1
3,115,322	A *	12/1963	Fleming	248/694
4,047,259	A	9/1977	Lotis	
4,420,850	A *	12/1983	Moore	15/21.1
4,858,257	A	8/1989	Bivens	
5,239,712	A *	8/1993	Kinder	4/606
D344,633	S	3/1994	Ali	
5,450,647	A *	9/1995	Dorsey	15/97.1
5,600,864	A	2/1997	Huber	
5,784,722	A *	7/1998	Ureta et al.	4/606
5,822,824	A	10/1998	Dion	
D441,913	S *	5/2001	Oglesby	D28/63

D450,158	S	11/2001	Swann	
6,370,722	B1	4/2002	Duckworth	
6,647,564	B1	11/2003	Smith	
6,732,394	B1 *	5/2004	Waterman	15/97.1
6,996,861	B1	2/2006	Clark, Jr.	
7,155,769	B1	1/2007	Baker	
7,175,357	B1	2/2007	Brignoni	

FOREIGN PATENT DOCUMENTS

FR	2599614	A1 *	12/1987
WO	WO 03017815	A1 *	3/2003

* cited by examiner

Primary Examiner — Melanie H Tung

Assistant Examiner — Lavone D Tabor

(74) *Attorney, Agent, or Firm* — Montgomery Patent & Design; Robert C. Montgomery

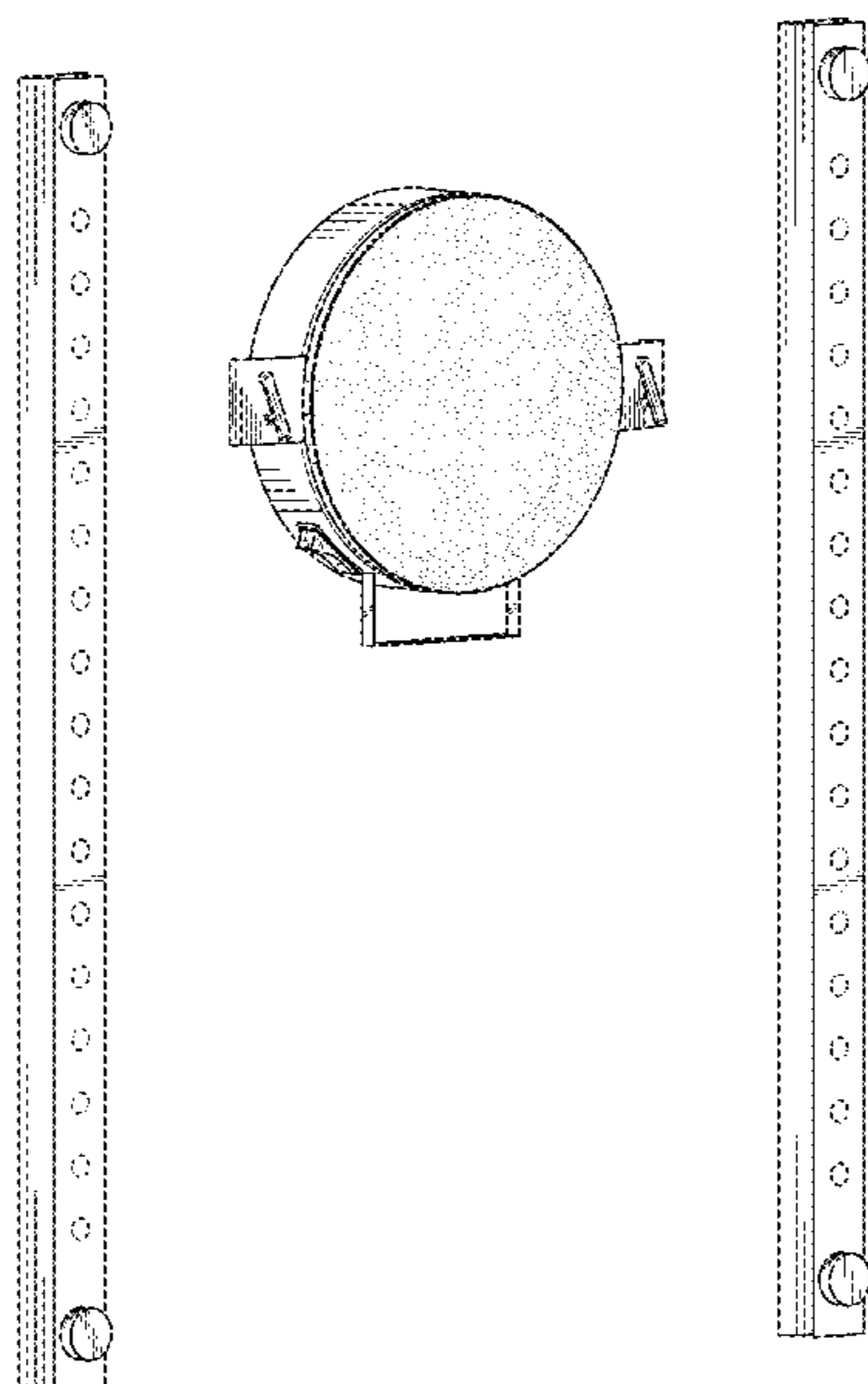
(57) **CLAIM**

The ornamental design for an automatic back cleaner and track system, as shown and described.

DESCRIPTION

FIG. 1 is an exploded isometric view of an automatic back cleaner and track system showing my new design; FIG. 2 is a front view thereof, wherein the second track, which is identical to the first track, is omitted for ease of illustration; FIG. 3 is a rear view of the design as shown in FIG. 2; FIG. 4 is a left hand side view of the design as shown in FIG. 2; FIG. 5 is a right hand side view of the design as shown in FIG. 2; FIG. 6 is a top view of the design as shown in FIG. 2; FIG. 7 is a bottom view of the design as shown in FIG. 2; and, FIG. 8 is an enlarged isometric view of the cleaner portion shown separately for clarity of illustration. The broken lines shown in the drawings illustrate the bounds of the design and form no part of the claimed design.

1 Claim, 7 Drawing Sheets



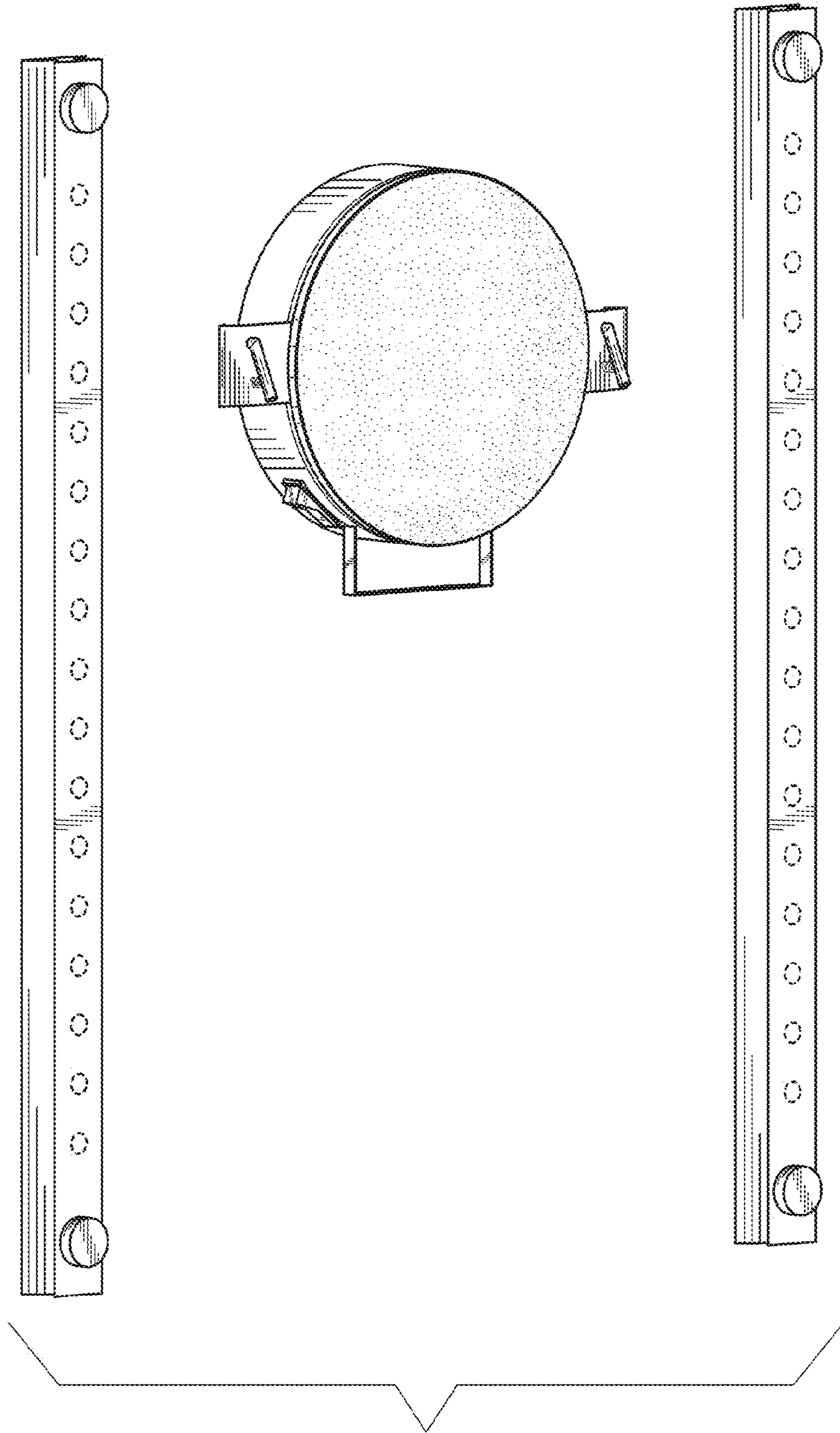


Fig. 1

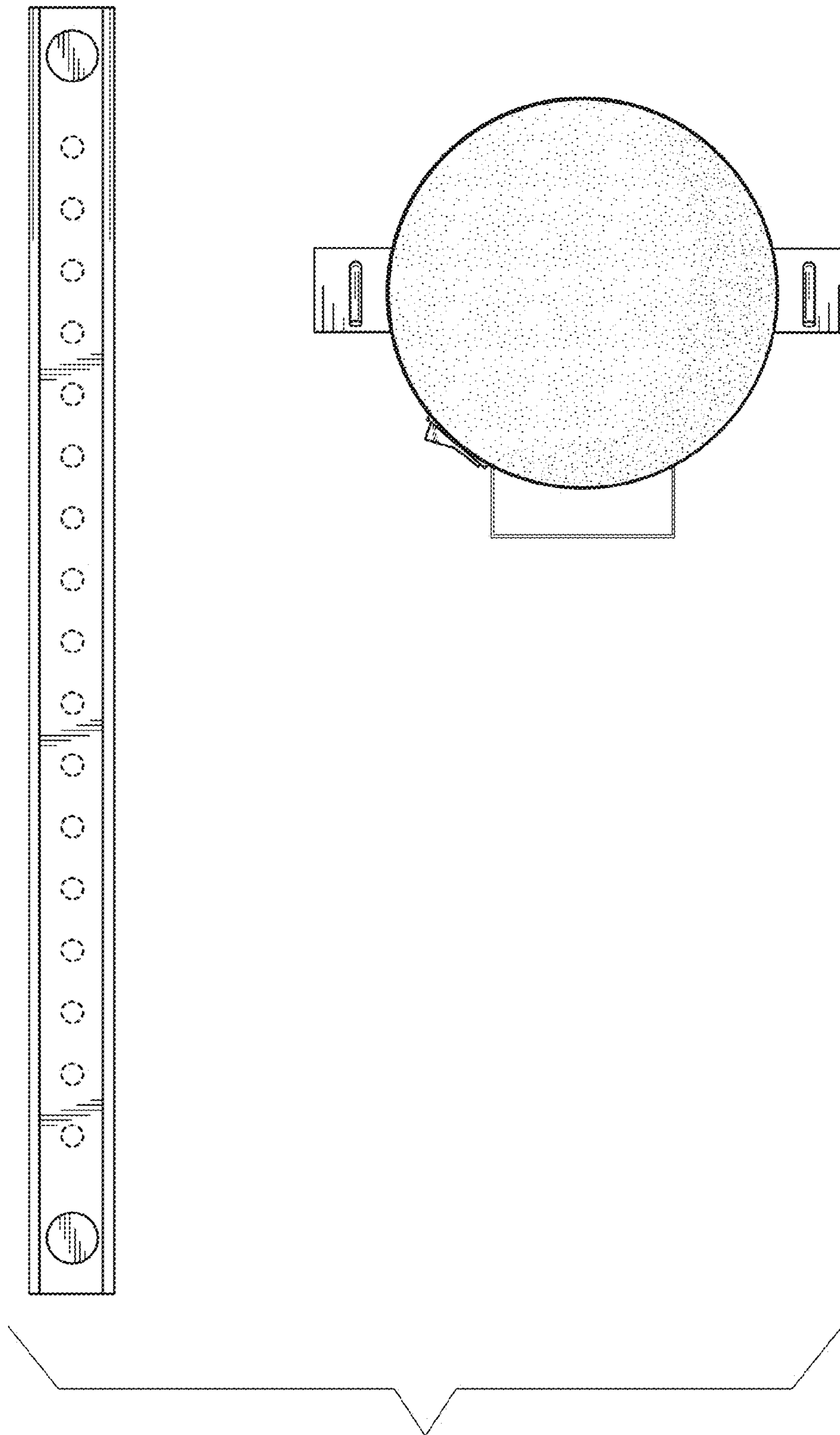


Fig. 2

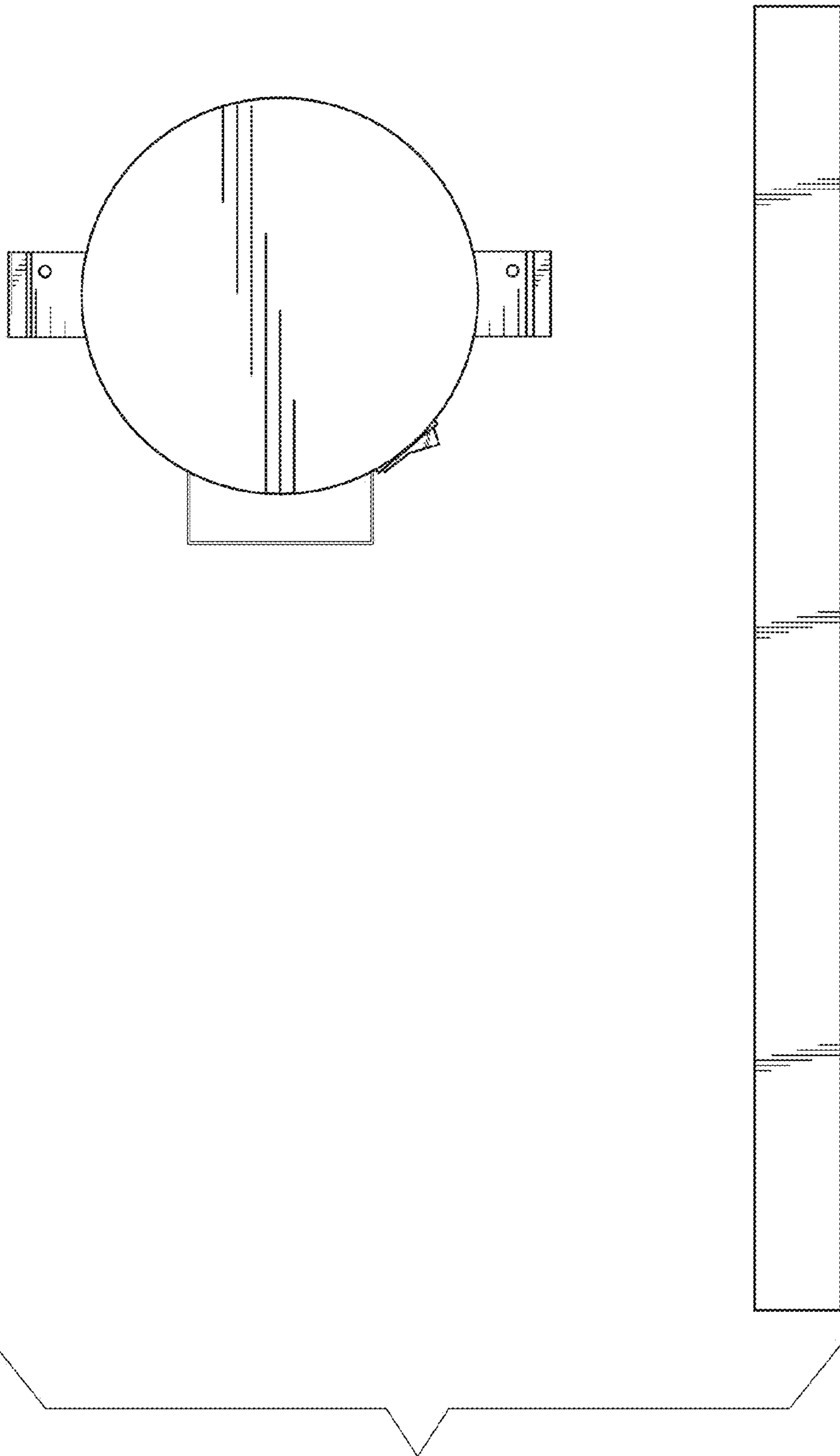


Fig. 3

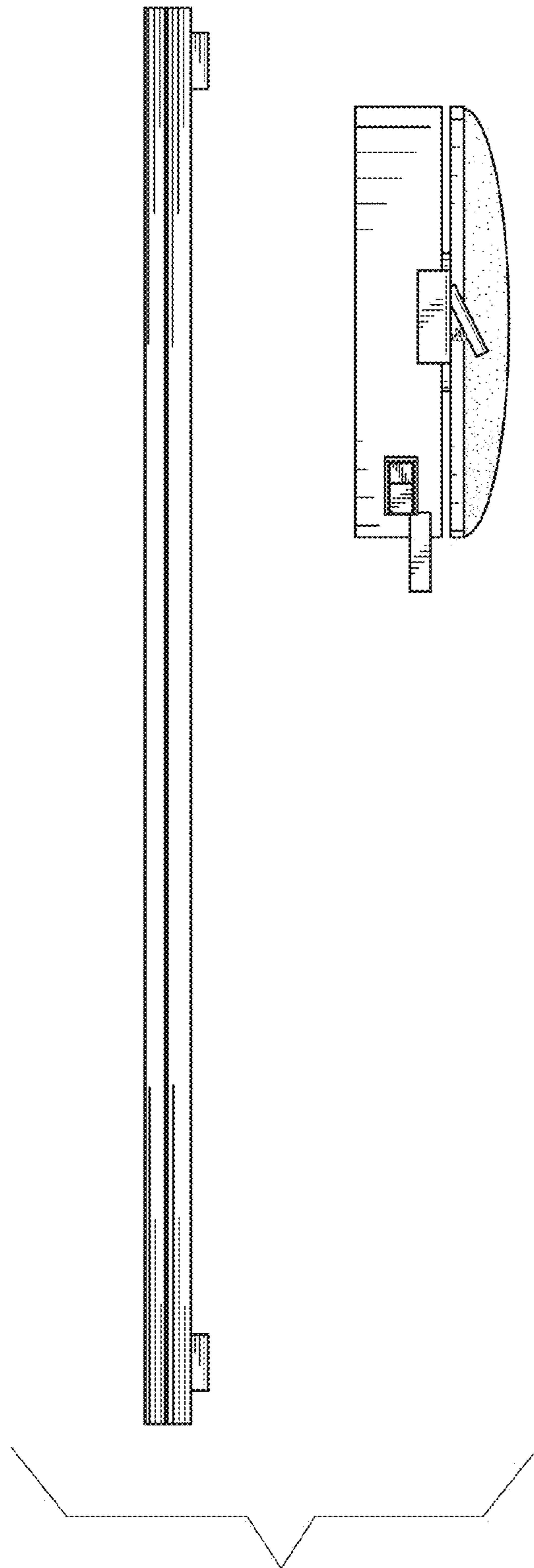


Fig. 4

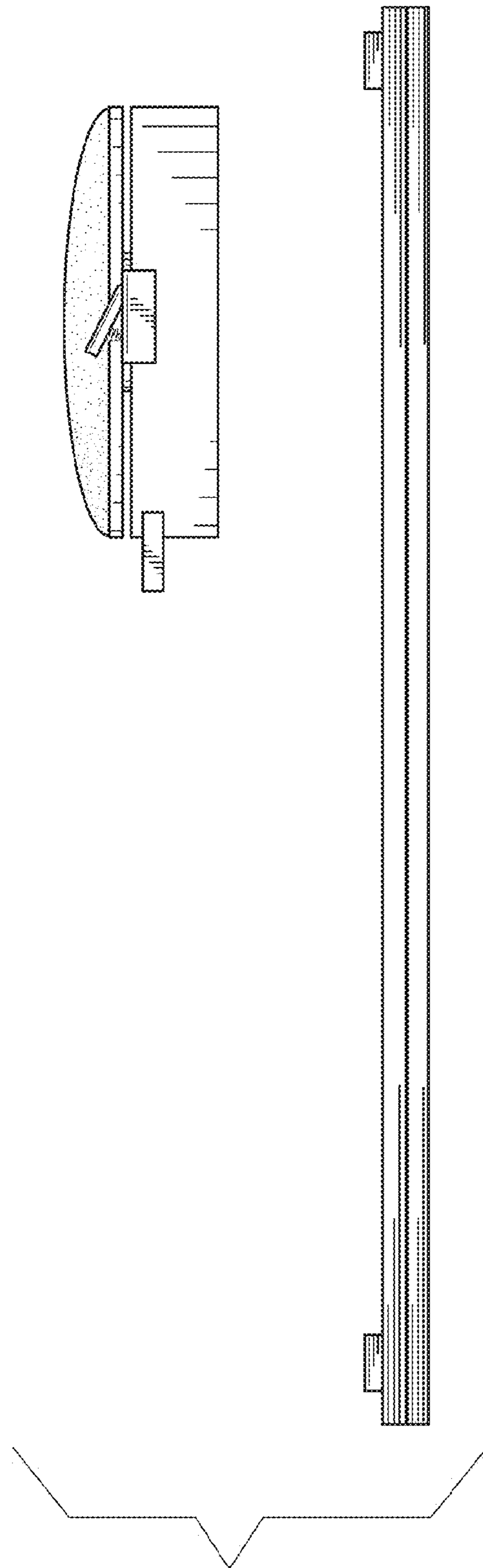


Fig. 5

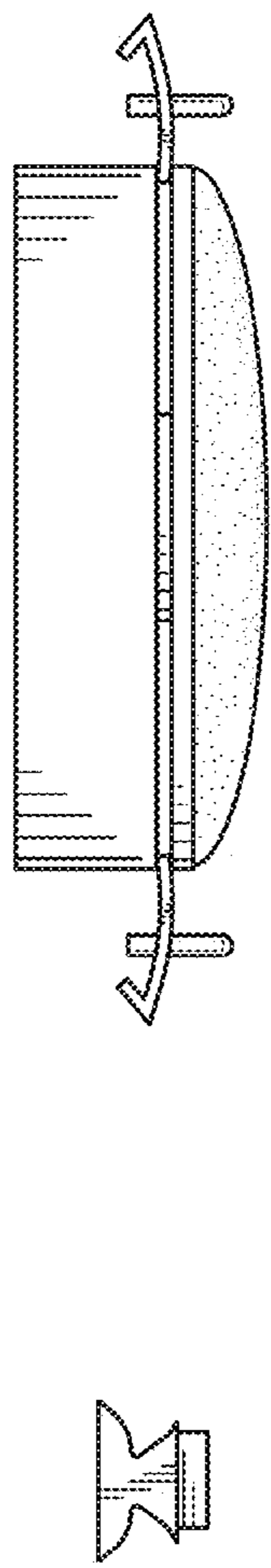


Fig. 6

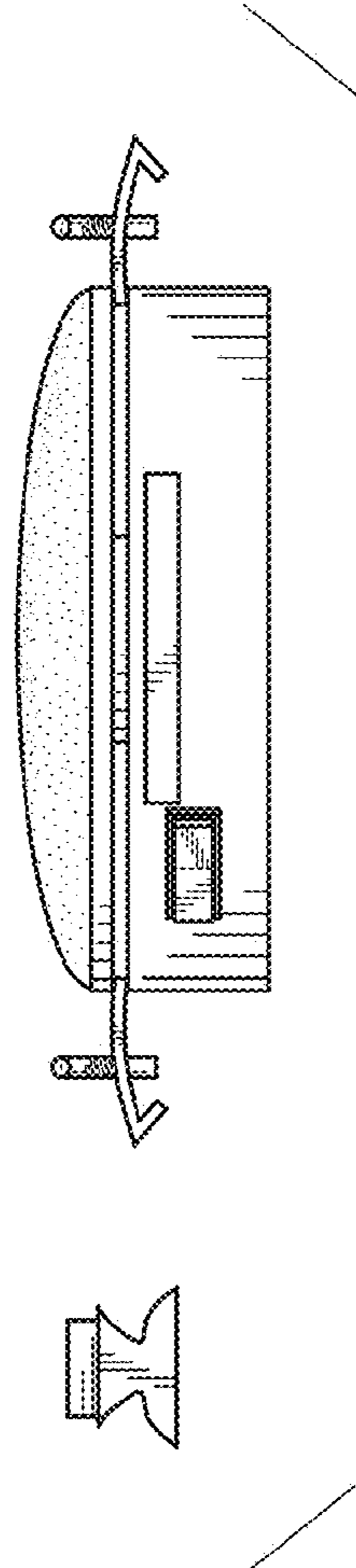


Fig. 7

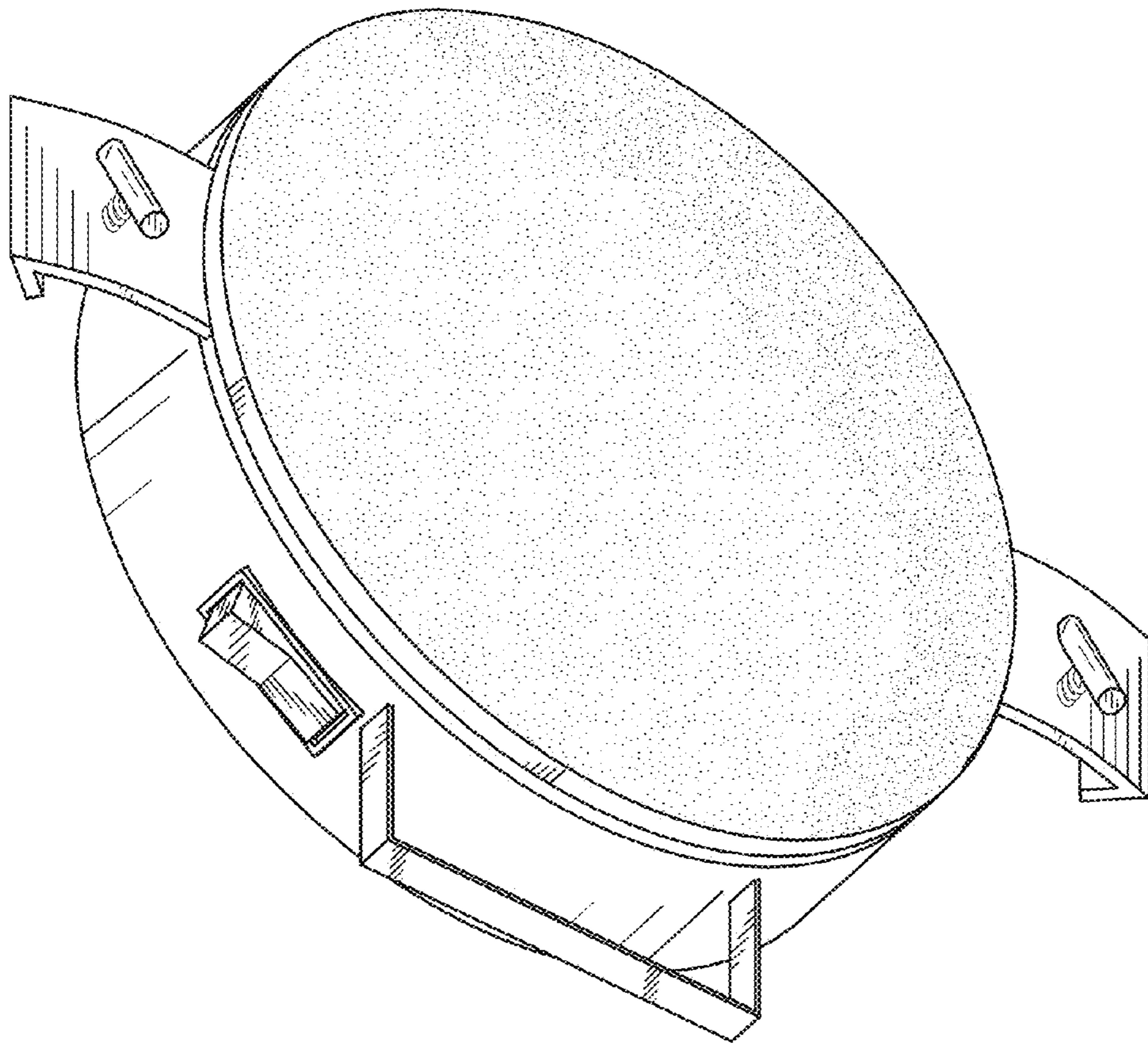


Fig. 8