



US00D698998S

(12) **United States Design Patent**
Lukan

(10) **Patent No.:** **US D698,998 S**

(45) **Date of Patent:** **** Feb. 4, 2014**

(54) **SAFETY RAZOR**

(75) Inventor: **Sean Lukan**, Huntersville, NC (US)

(73) Assignee: **Eveready Battery Company, Incv**, St Louis, MO (US)

(**) Term: **14 Years**

(21) Appl. No.: **29/430,898**

(22) Filed: **Aug. 31, 2012**

(51) **LOC (10) Cl.** **28-03**

(52) **U.S. Cl.**
USPC **D28/46**

(58) **Field of Classification Search**
USPC 30/32, 34.05, 34.1-34.2, 41.9, 40-40.2,
30/41, 42-46, 47-52, 57-84, 526-541,
30/346.5-346.61; D28/44-48

See application file for complete search history.

(56) **References Cited**

U.S. PATENT DOCUMENTS

D636,938 S * 4/2011 White et al. D28/48
D650,943 S 12/2011 Micinilio
D651,345 S 12/2011 Micinilio
D674,551 S * 1/2013 Barrow et al. D28/48

* cited by examiner

Primary Examiner — Jennifer Rivard
(74) *Attorney, Agent, or Firm* — Energizer Personal Care, LLC

(57) **CLAIM**

I claim the ornamental design for the safety razor, as shown and described.

DESCRIPTION

FIG. 1 is an upper perspective view of a safety razor.
FIG. 2 is a lower perspective view thereof.
FIG. 3 is a rear view thereof.
FIG. 4 is a front view thereof.
FIG. 5 is a right side view of FIG. 4.
FIG. 6 is a left side view of FIG. 4.
FIG. 7 is a top end view thereof; and,
FIG. 8 is a bottom end view thereof.

1 Claim, 6 Drawing Sheets



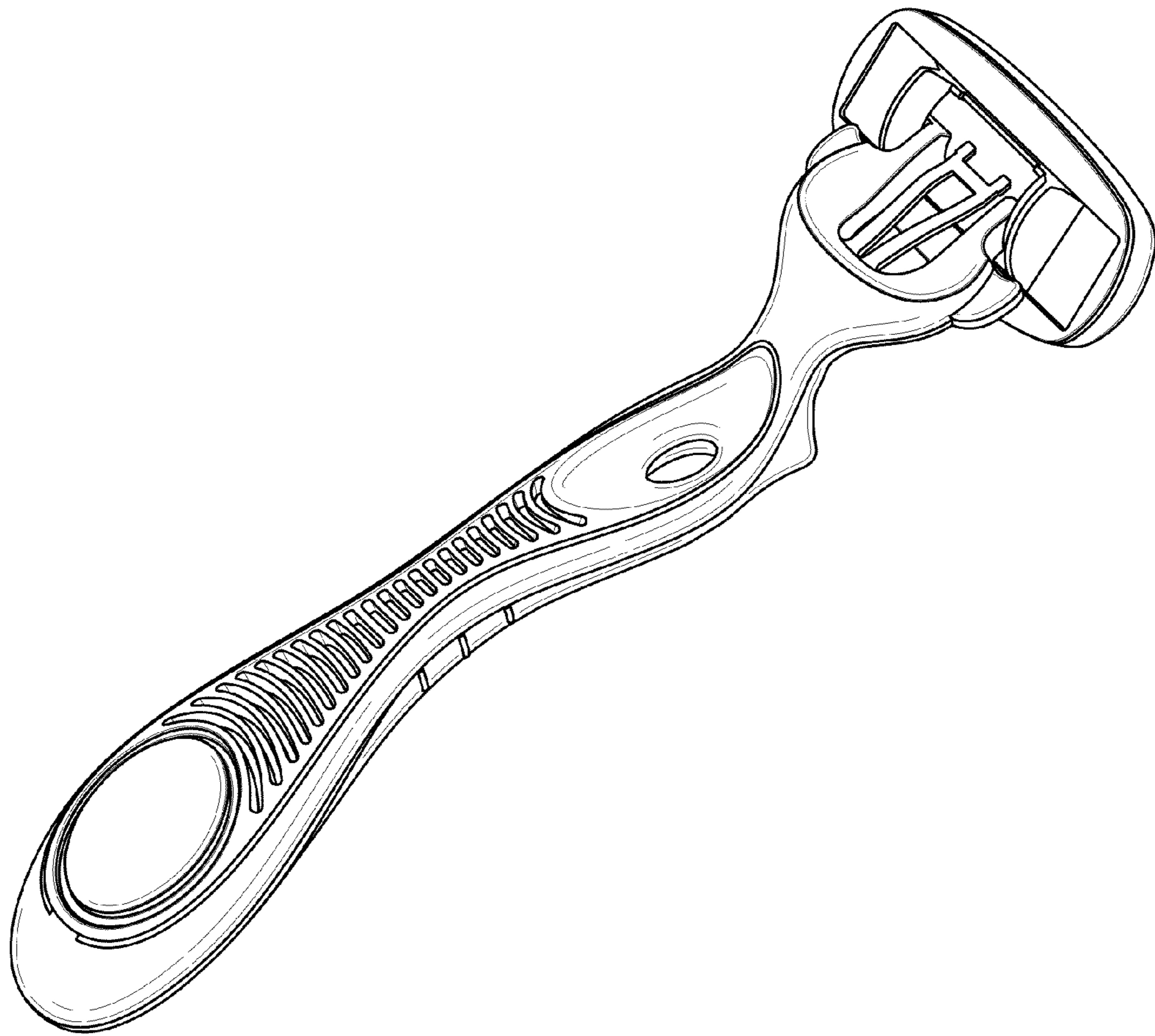


FIG. 1

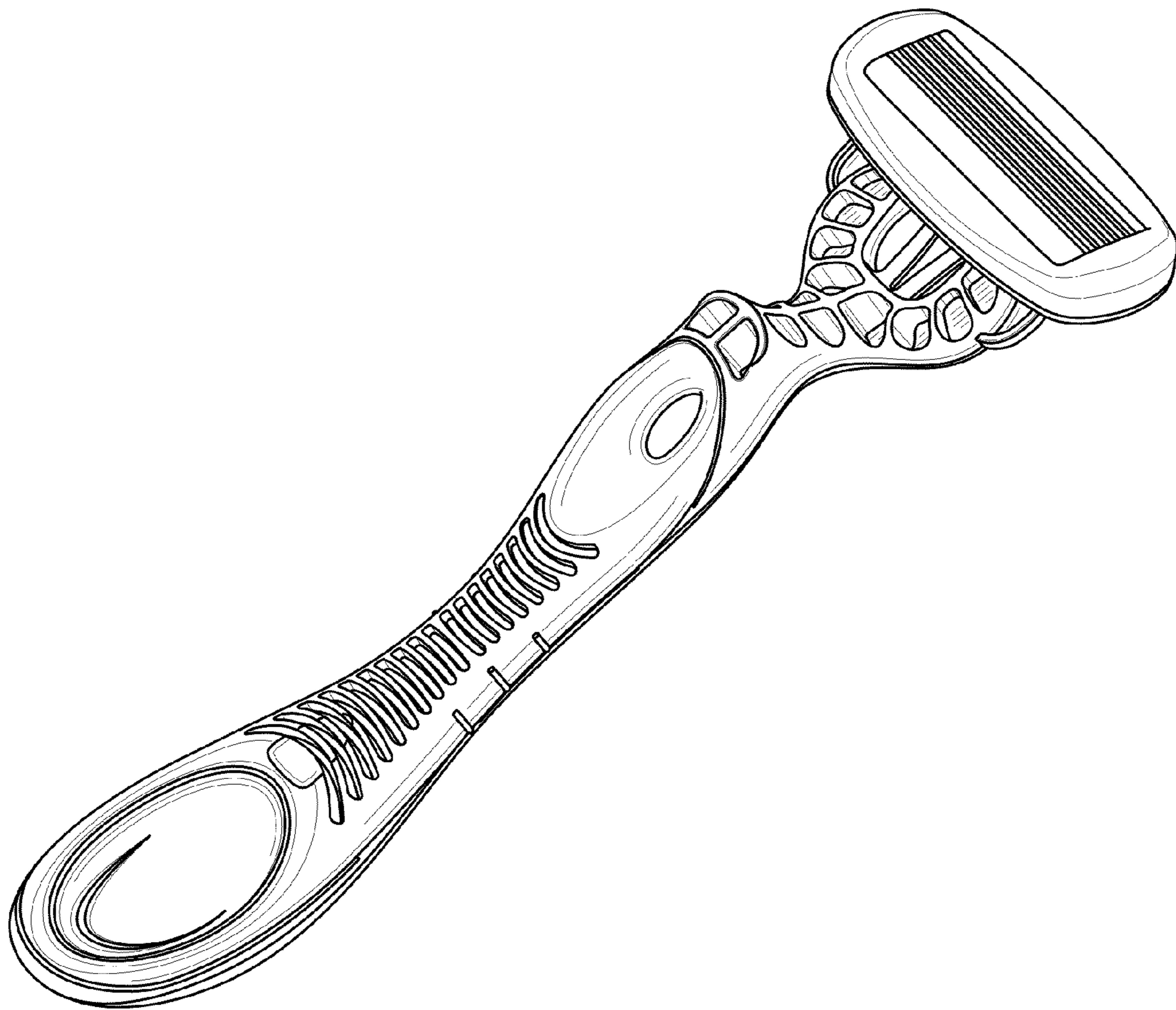


FIG. 2

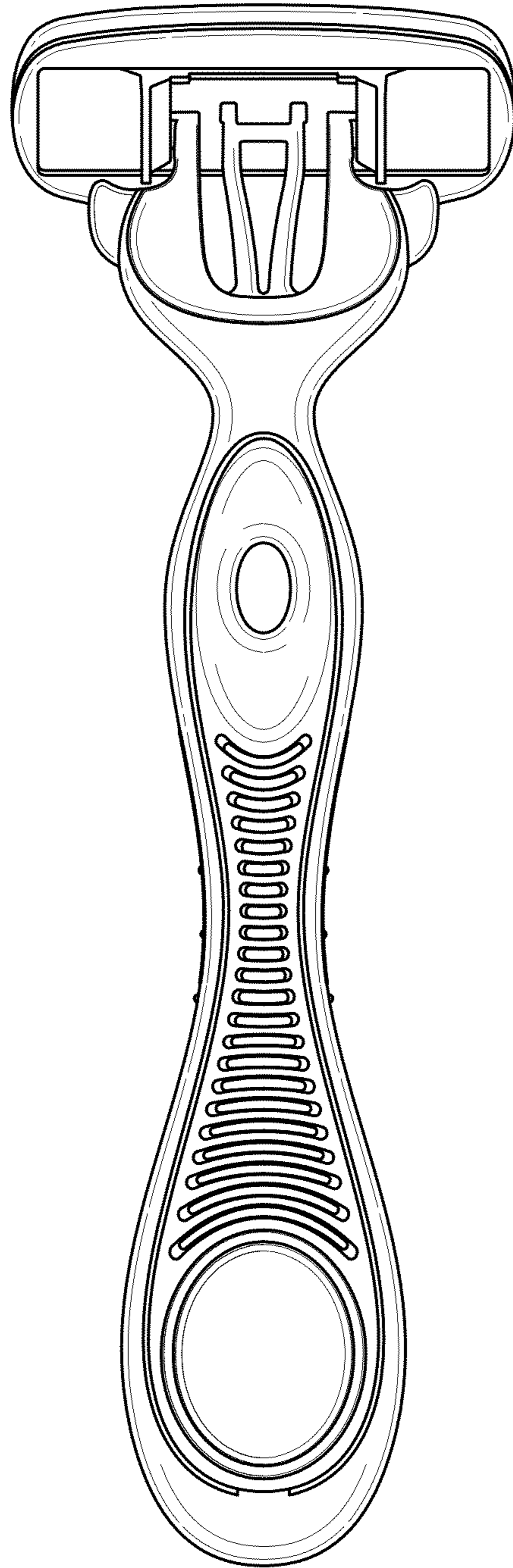


FIG. 3

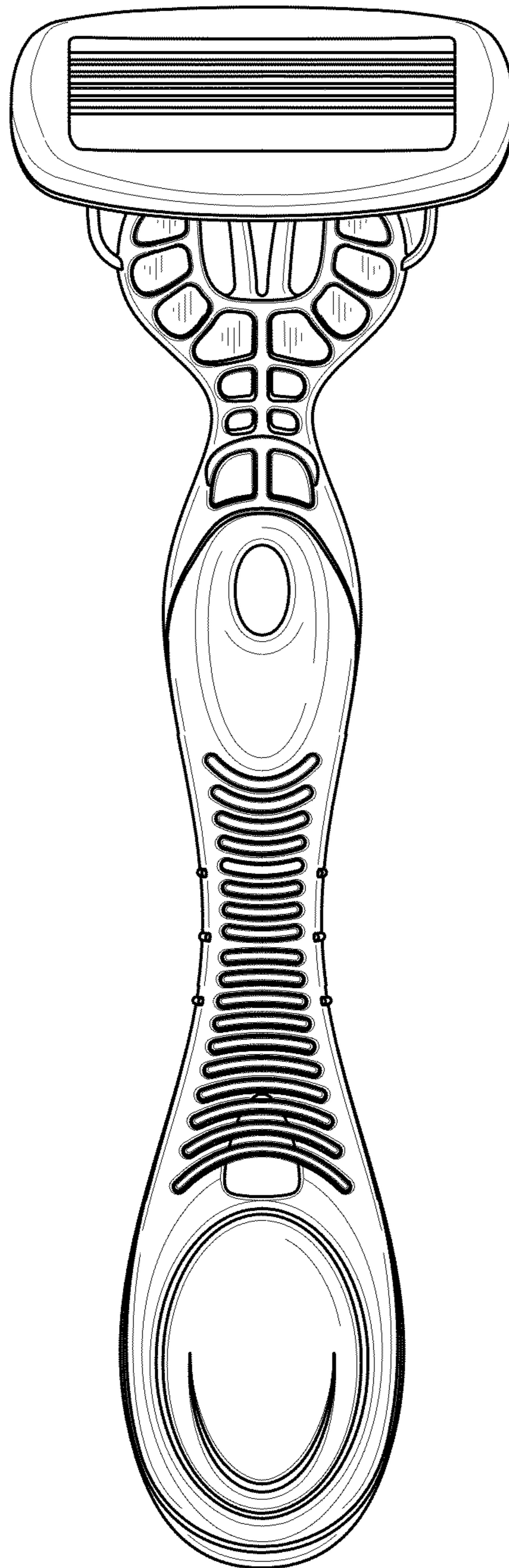


FIG. 4

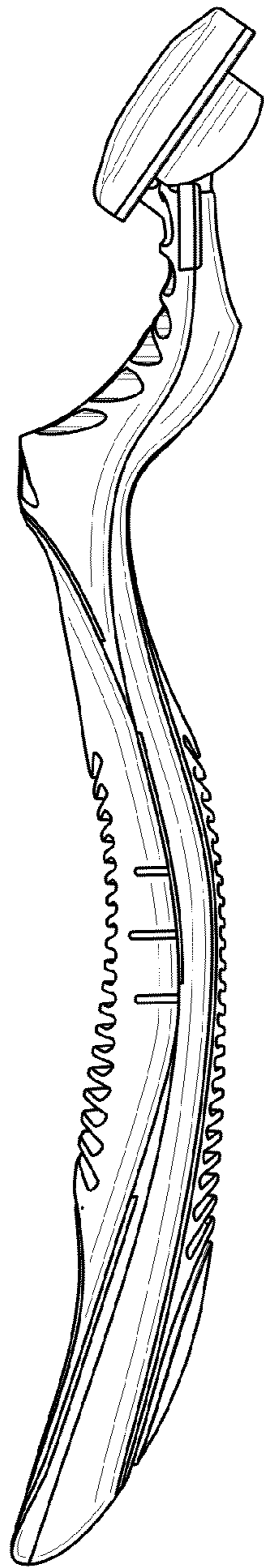


FIG. 5

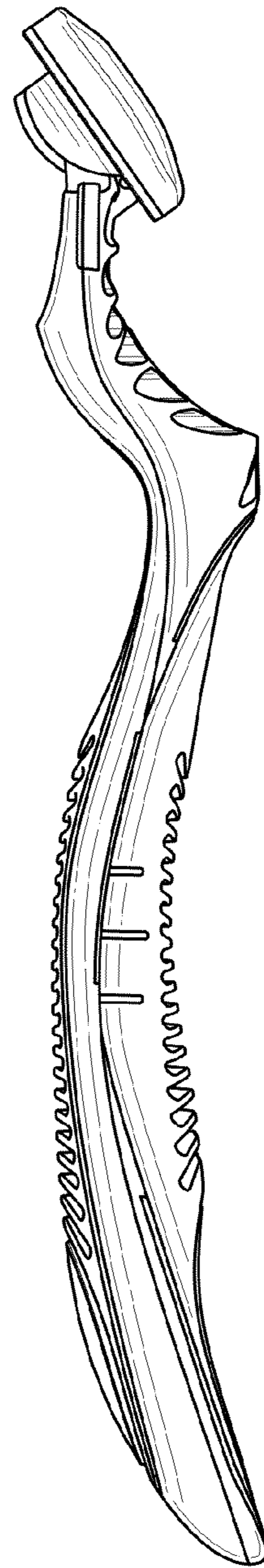


FIG. 6

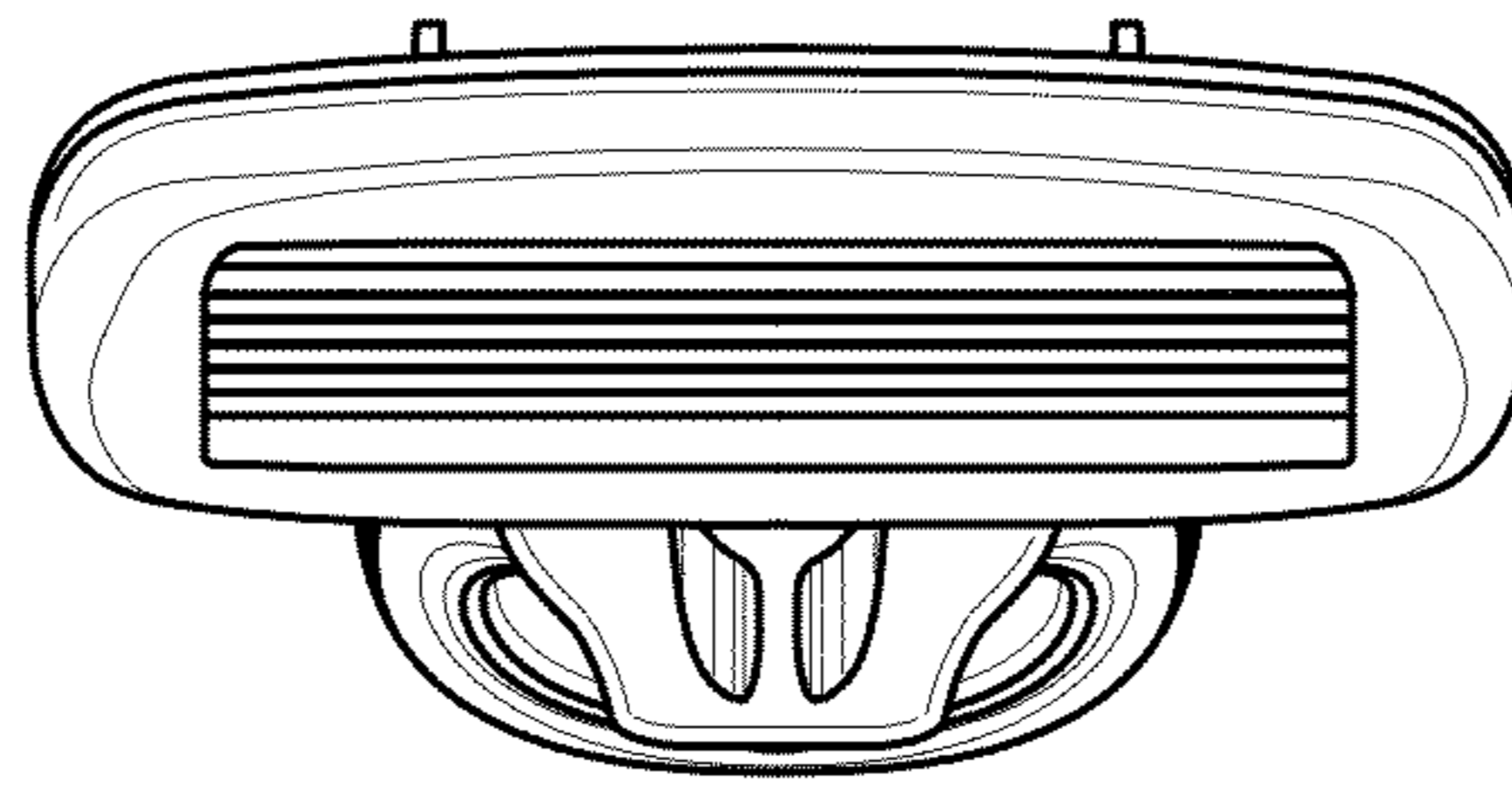


FIG. 7

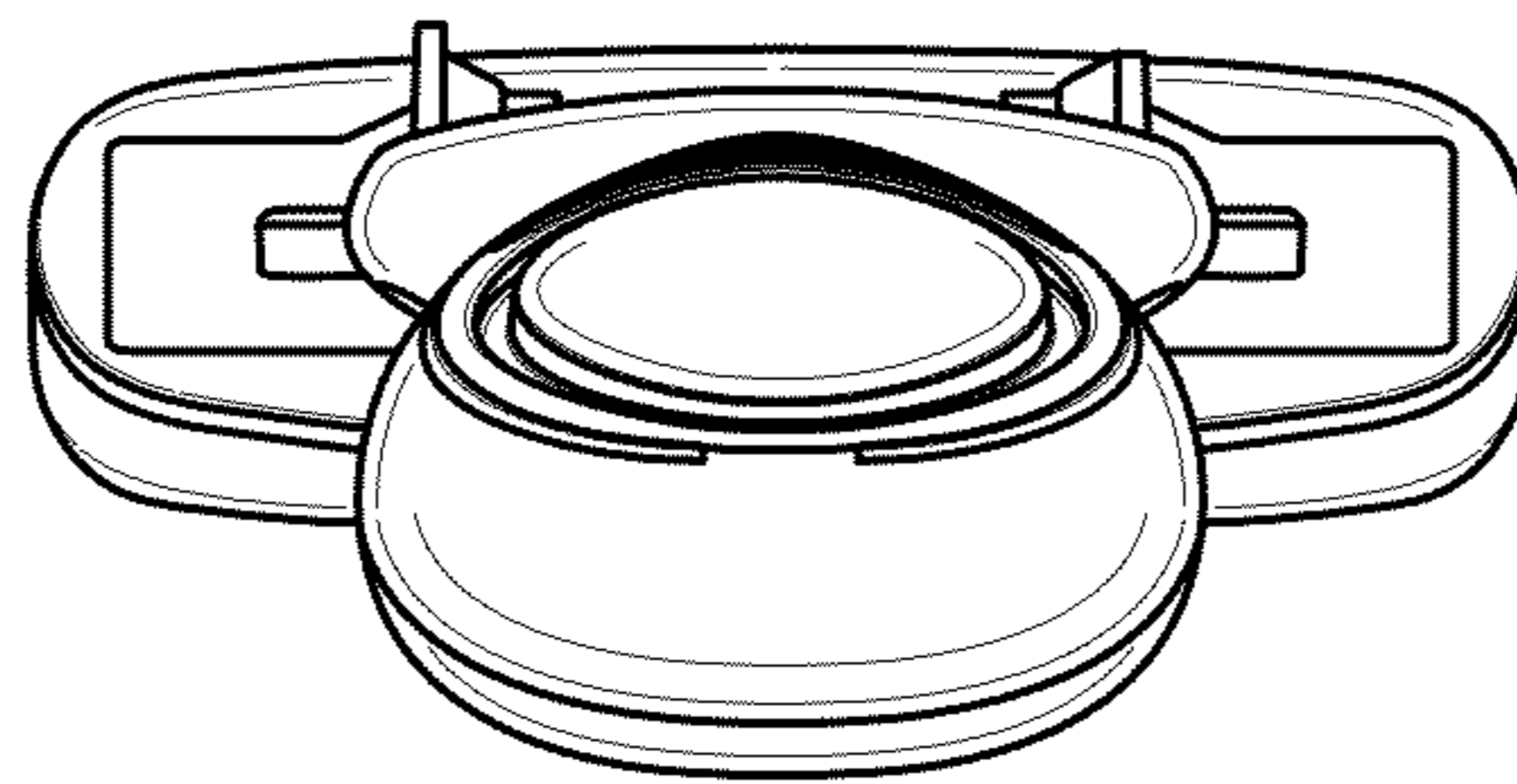


FIG. 8

UNITED STATES PATENT AND TRADEMARK OFFICE
CERTIFICATE OF CORRECTION

PATENT NO. : D698,998 S
APPLICATION NO. : 29/430898
DATED : February 4, 2014
INVENTOR(S) : Sean Lukan

Page 1 of 1

It is certified that error appears in the above-identified patent and that said Letters Patent is hereby corrected as shown below:

Title page, Item (73) "Assignee:"

Delete Assignee "Eveready Battery Company, Incv, St Louis, MO (US)" and substitute
-- Eveready Battery Company Inc, St Louis, MO (US) --.

Signed and Sealed this
Sixth Day of May, 2014



Michelle K. Lee
Deputy Director of the United States Patent and Trademark Office