

US00D698995S

(12) **United States Design Patent**  
**Xu**

(10) **Patent No.:** **US D698,995 S**  
(45) **Date of Patent:** **\*\* Feb. 4, 2014**

(54) **HAIR ROLLERS**

(71) Applicant: **Liang Xu**, Shenzhen (CN)  
(72) Inventor: **Liang Xu**, Shenzhen (CN)  
(73) Assignees: **Cheer Master Trading Ltd.**, Kowloon (HK); **Tristar Products, Inc.**, East Fairchild, NJ (US); **Calista Tools, LLC**, West Chester, PA (US)

(\*\*) Term: **14 Years**

(21) Appl. No.: **29/457,868**

(22) Filed: **Jun. 13, 2013**

(51) **LOC (10) Cl.** ..... **28-03**

(52) **U.S. Cl.**  
USPC ..... **D28/37; D28/38**

(58) **Field of Classification Search**  
USPC ..... 219/222-226; 132/222, 223-272;  
D28/35, 37-38, 40

See application file for complete search history.

(56) **References Cited**

U.S. PATENT DOCUMENTS

D215,258 S *	9/1969	Daher	.....	D28/38
D217,201 S *	4/1970	Moffett	.....	D28/38
3,658,071 A *	4/1972	Wise	.....	132/233
5,117,090 A *	5/1992	Askins	.....	219/222
D594,597 S *	6/2009	Cardona	.....	D28/38
2005/0061353 A1 *	3/2005	Kaizuka	.....	132/227
2009/0133709 A1 *	5/2009	Kaizuka	.....	132/229

\* cited by examiner

*Primary Examiner* — Jennifer Rivard  
(74) *Attorney, Agent, or Firm* — Sughrue Mion, PLLC

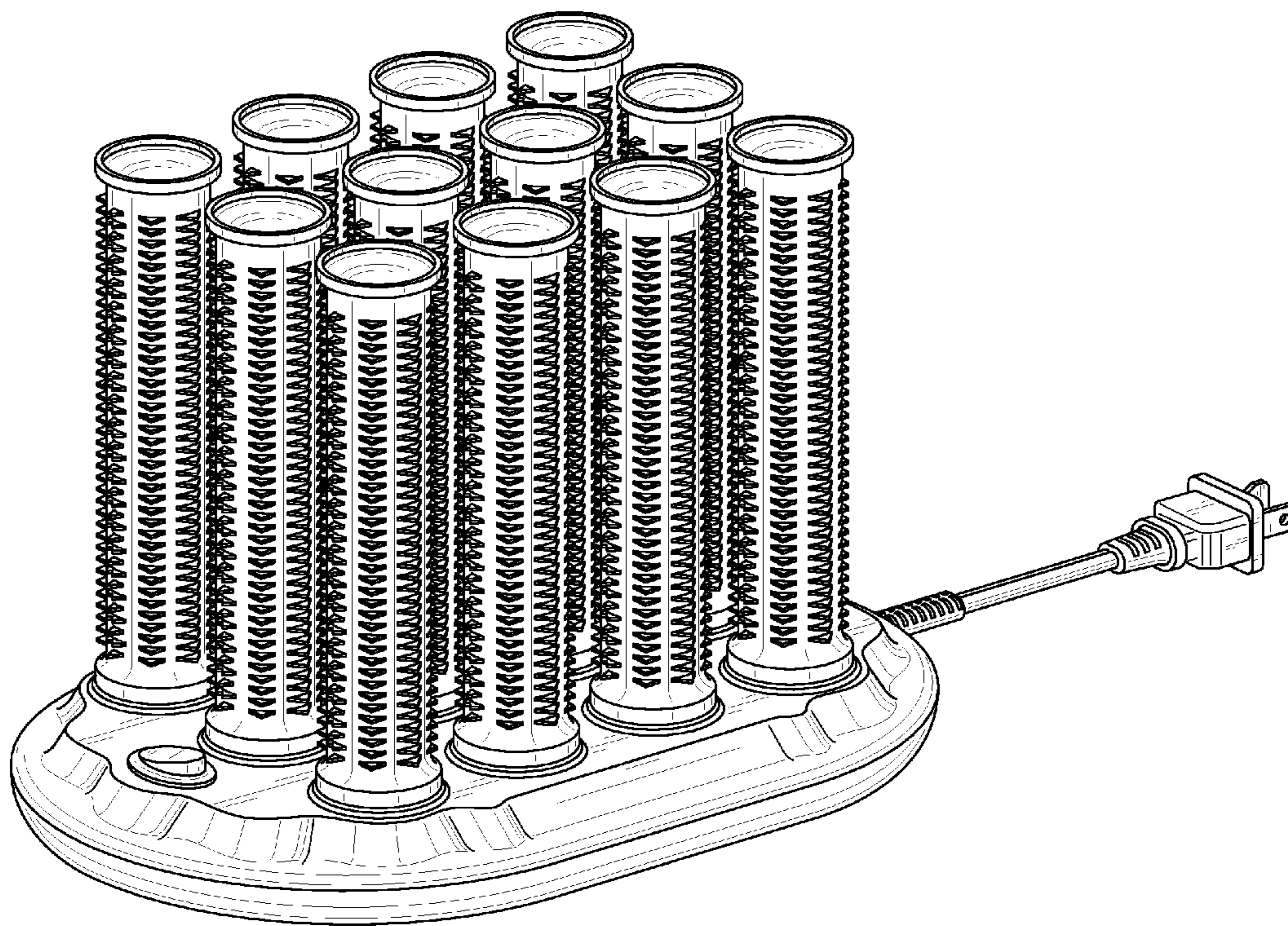
(57) **CLAIM**

The ornamental design for a hair rollers, as shown and described.

**DESCRIPTION**

FIG. 1 is a top, front and side perspective view of a hair rollers showing my new design;  
FIG. 2 is a front elevational view thereof;  
FIG. 3 is a rear elevational view thereof;  
FIG. 4 is a left side elevational view thereof;  
FIG. 5 is a right side elevational view thereof;  
FIG. 6 is a top plan view thereof; and,  
FIG. 7 is a bottom plan view.

**1 Claim, 7 Drawing Sheets**



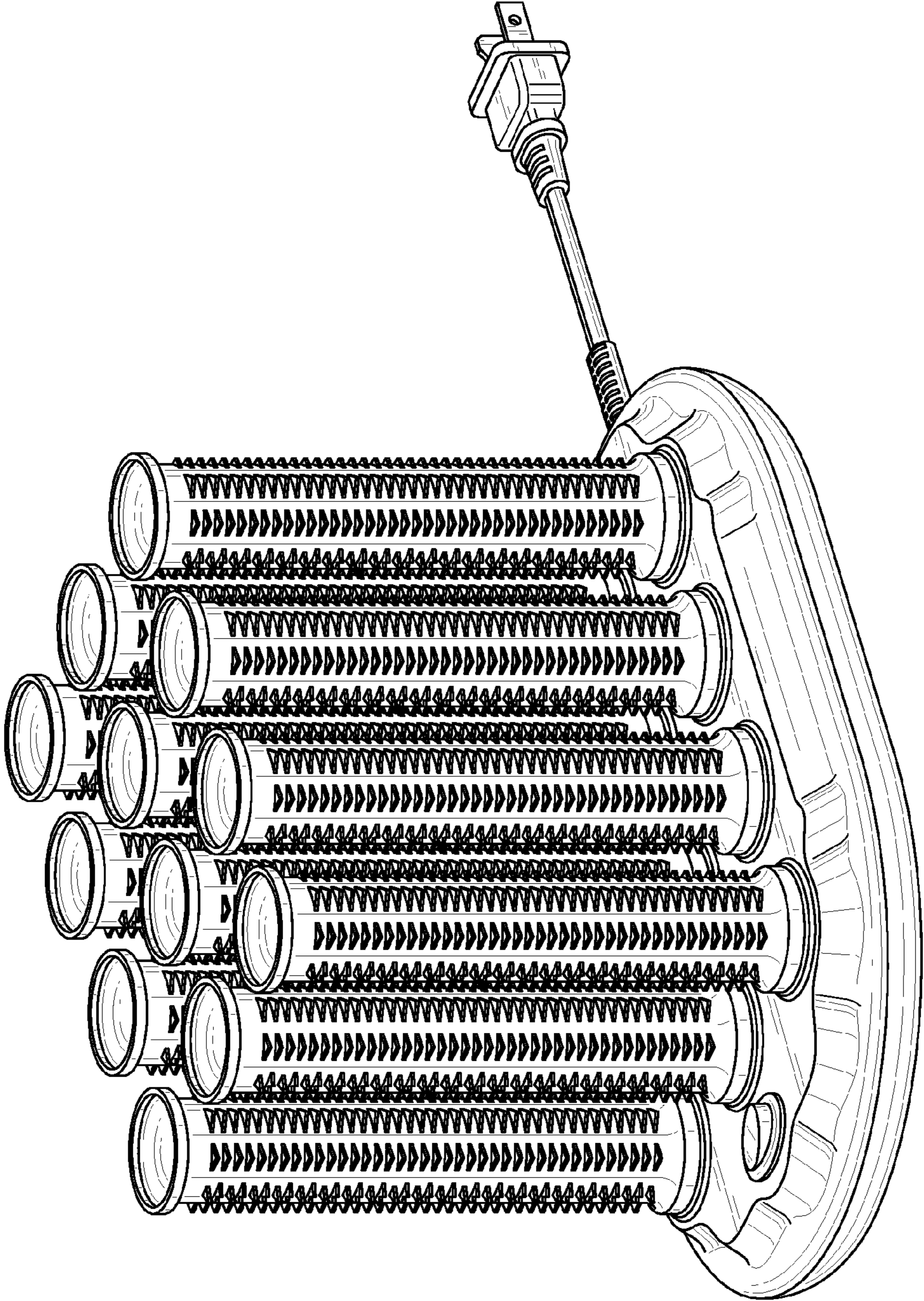


FIG. 1

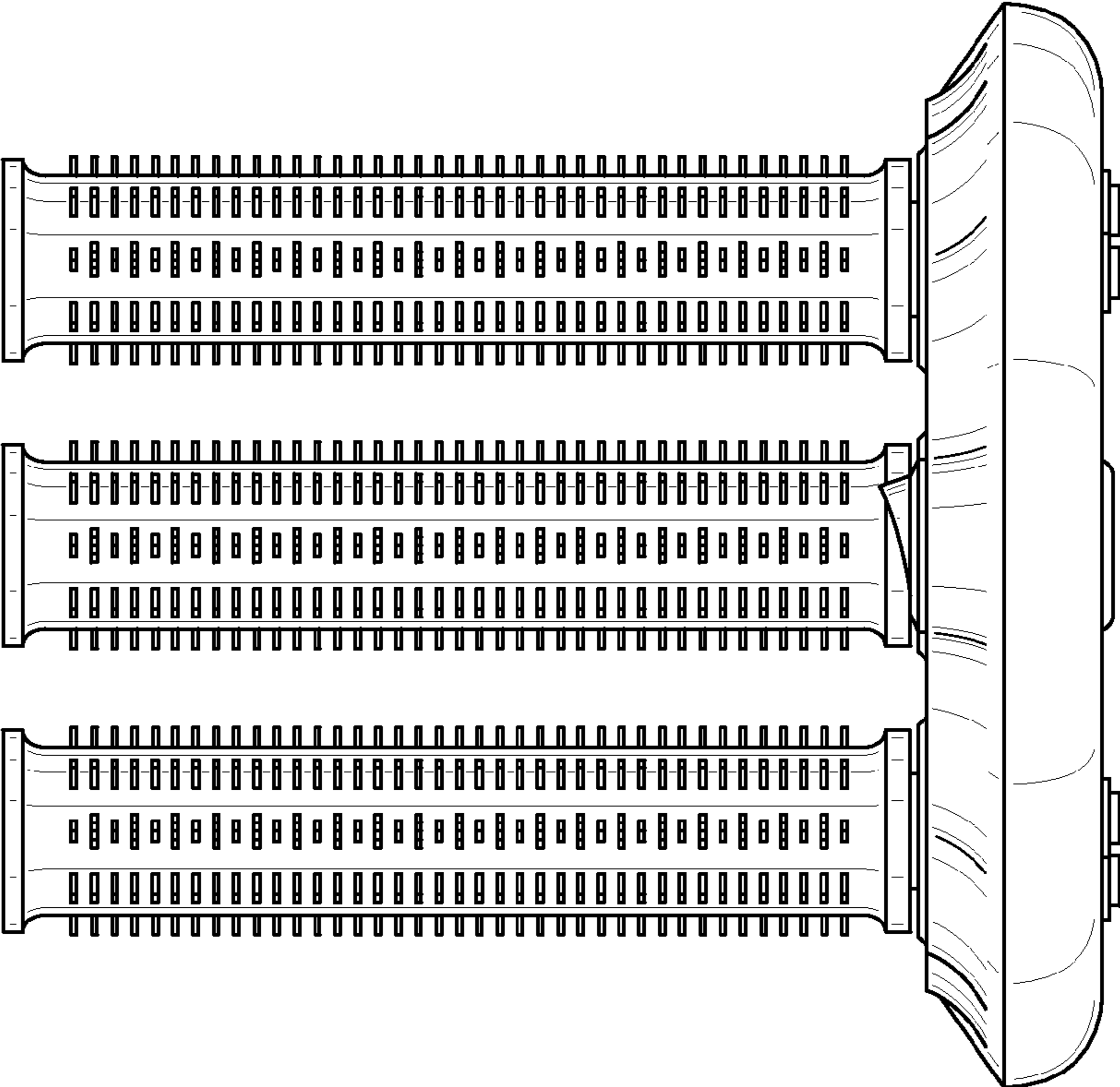


FIG. 2

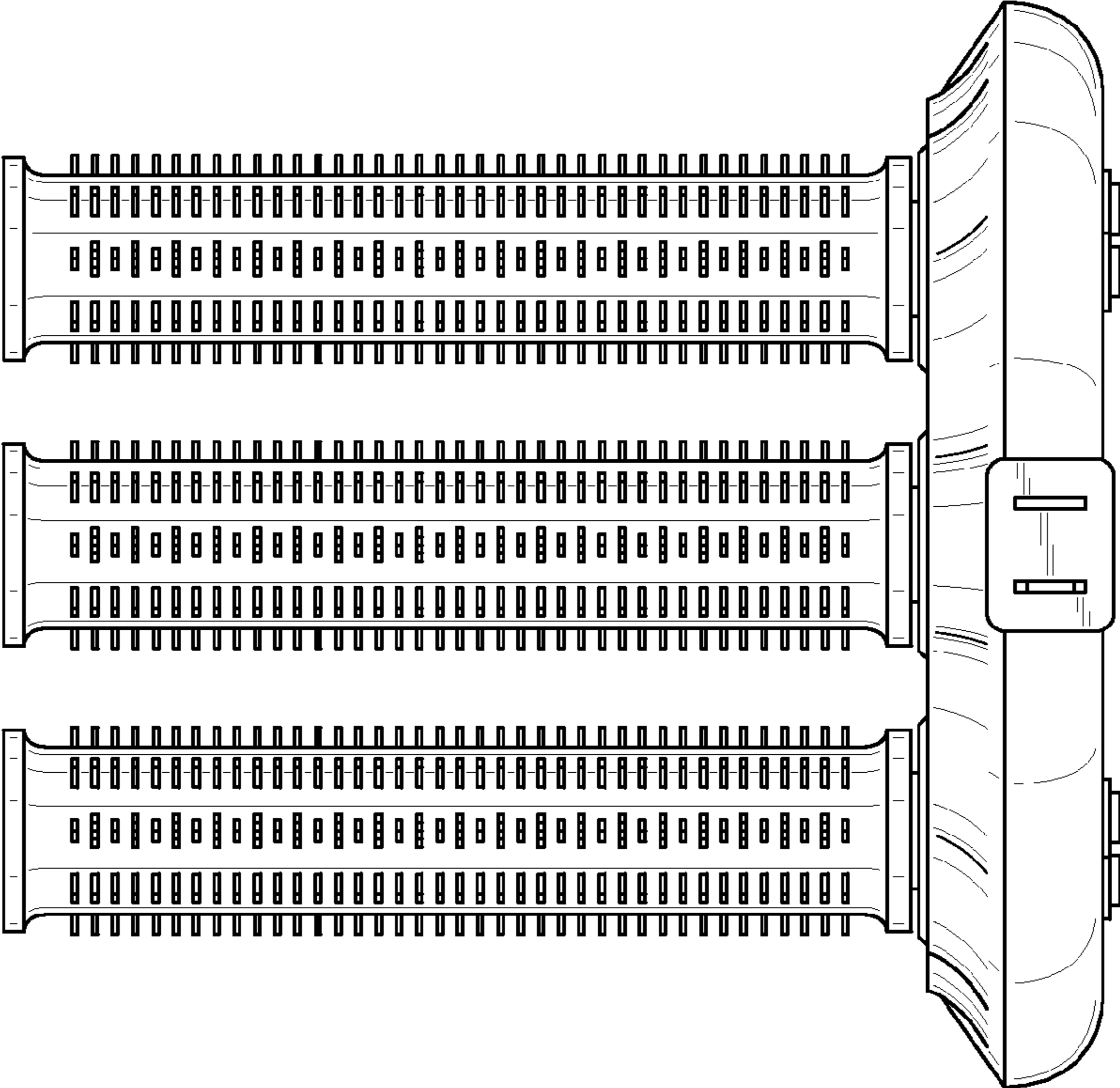


FIG. 3

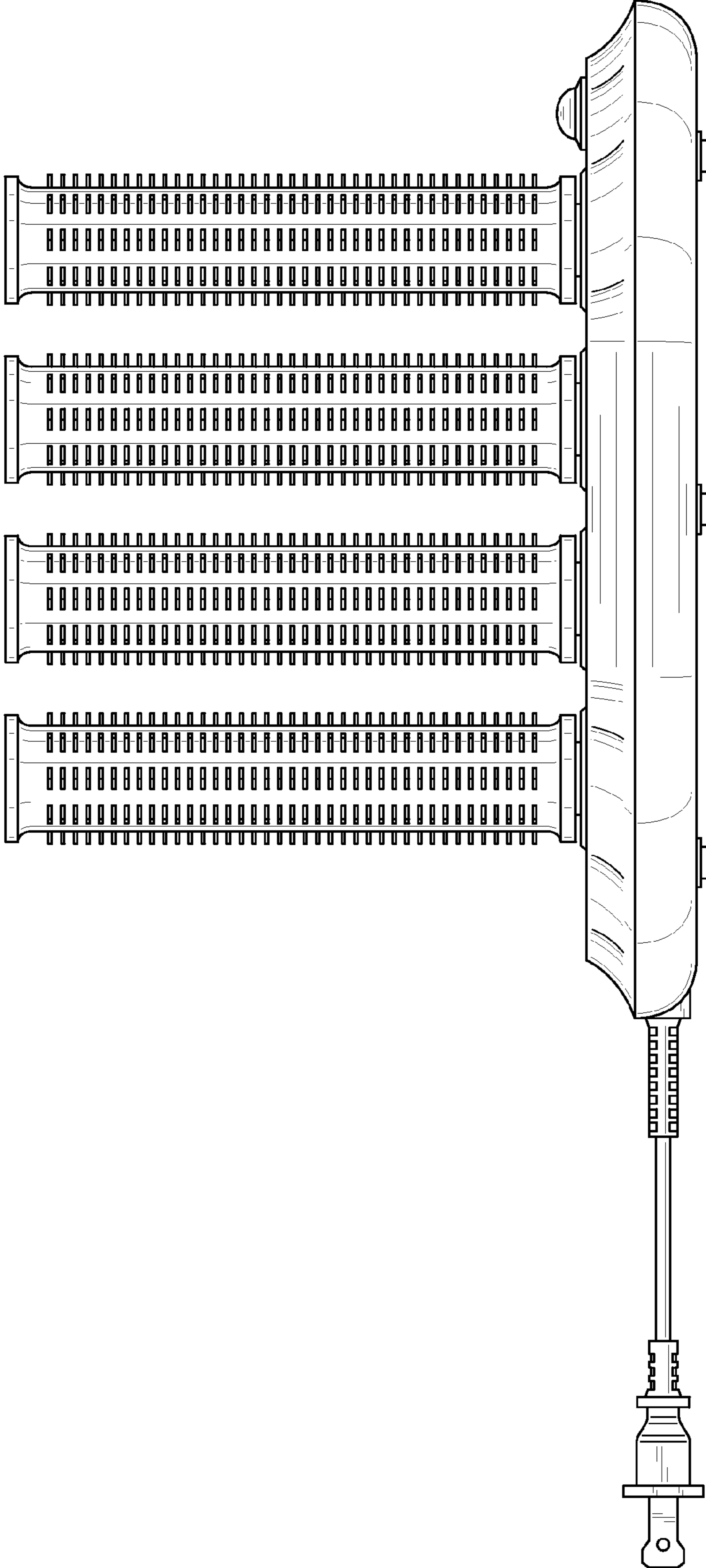


FIG. 4

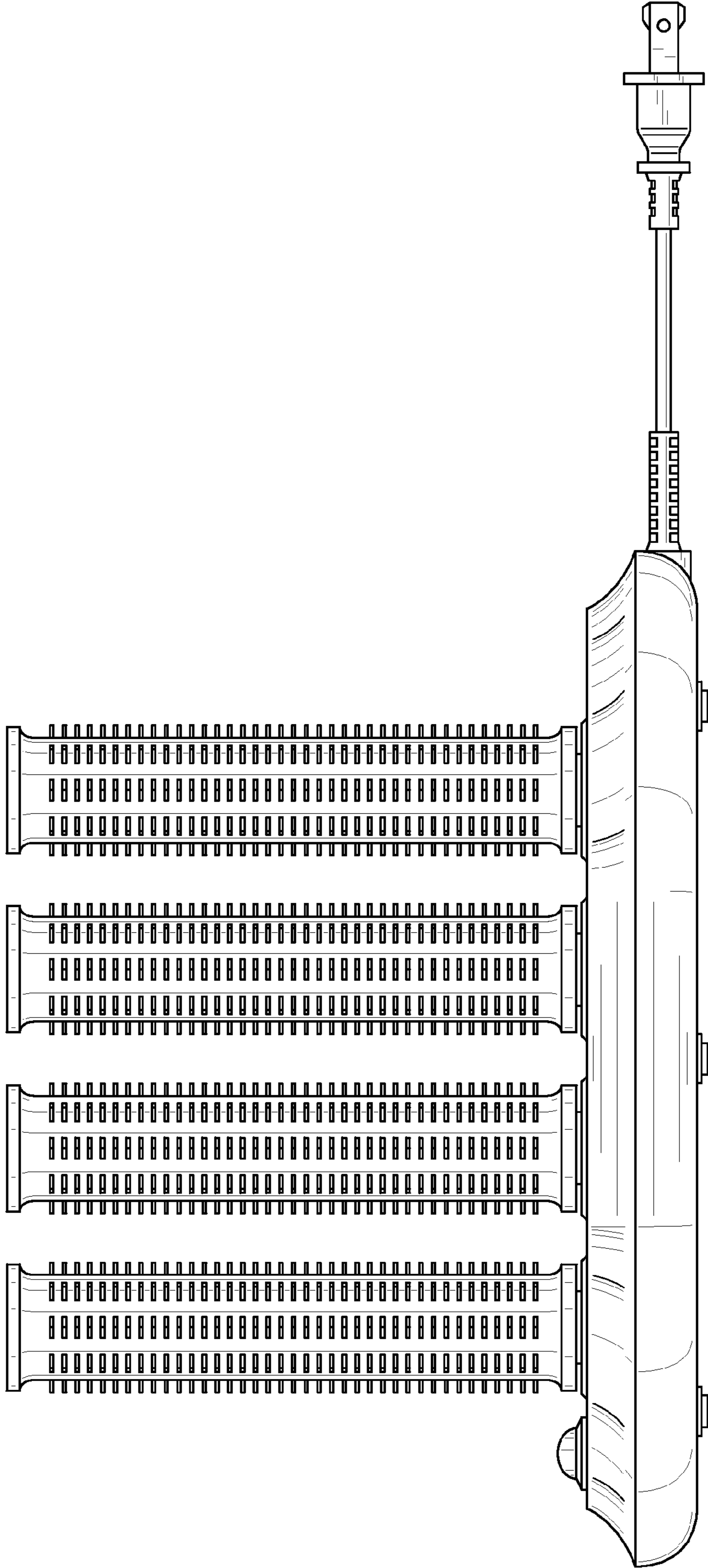


FIG. 5

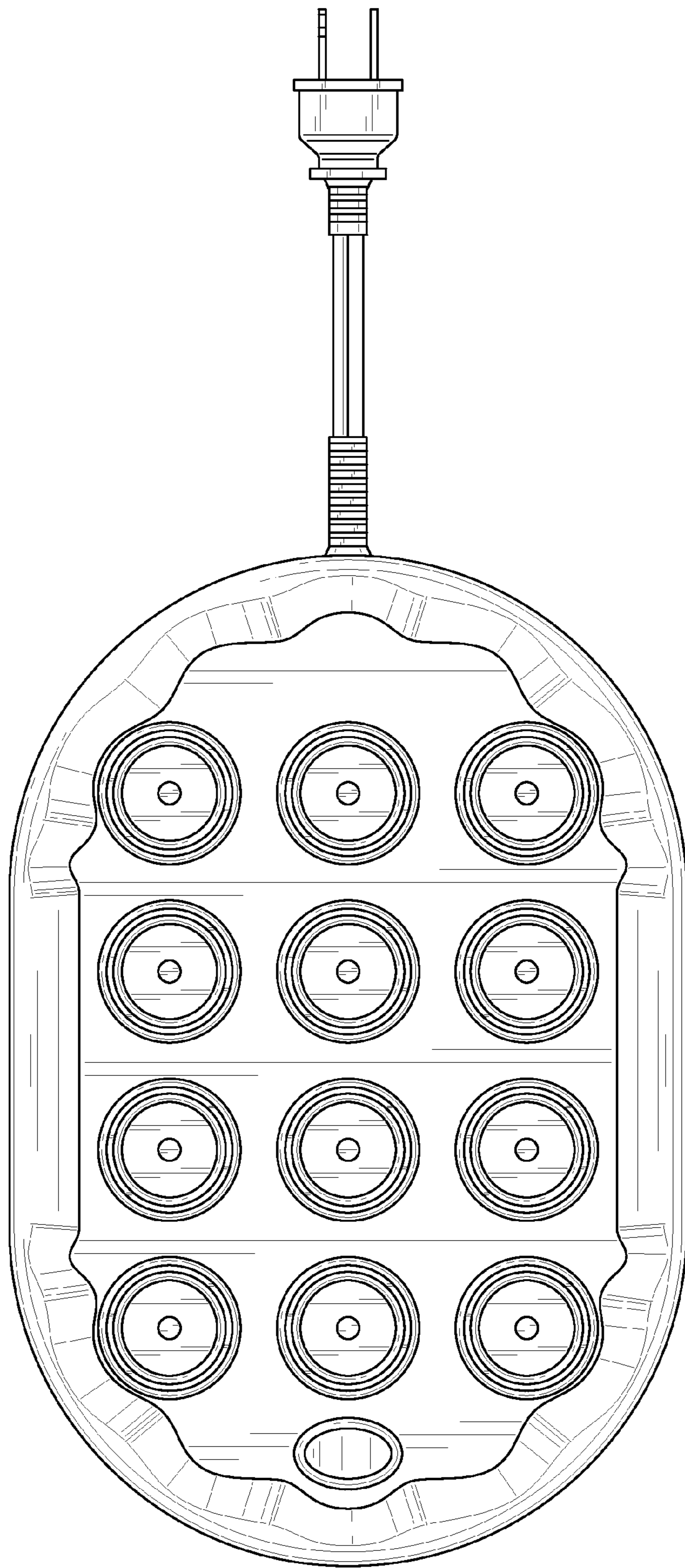


FIG. 6

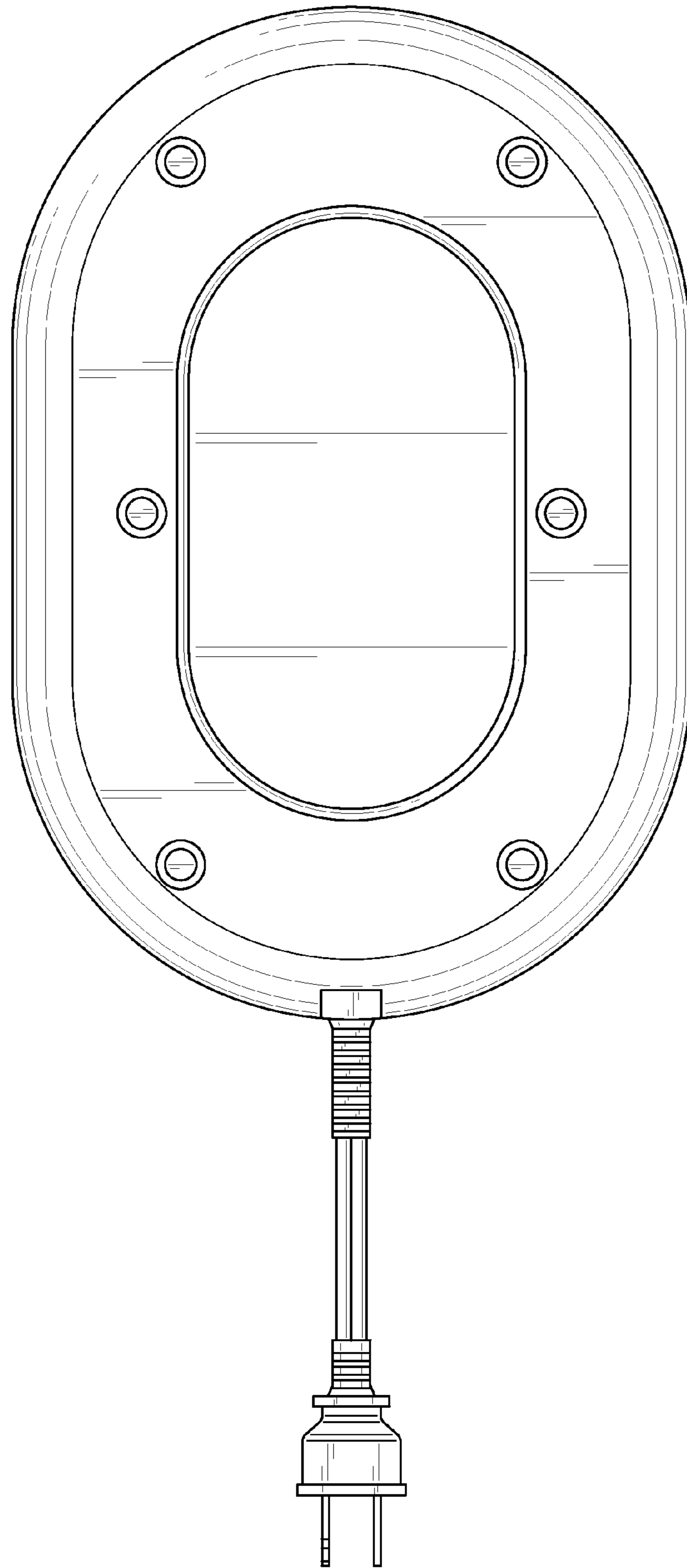


FIG. 7