

US00D698991S

(12) **United States Design Patent**
Tregilgas et al.

(10) **Patent No.:** **US D698,991 S**

(45) **Date of Patent:** **** Feb. 4, 2014**

(54) **LIGHTING FIXTURE LENS**

(71) Applicant: **Continental Manufacturing, LLC,**
Anderson, IN (US)

(72) Inventors: **Steven F. Tregilgas,** Hugo, MN (US);
William E. Nagengast, Anderson, IN (US)

(73) Assignee: **Continental Manufacturing, LLC,**
Anderson, IN (US)

(**) Term: **14 Years**

(21) Appl. No.: **29/456,506**

(22) Filed: **May 31, 2013**

(51) **LOC (10) Cl.** **26-99**

(52) **U.S. Cl.**
USPC **D26/136**

(58) **Field of Classification Search**
USPC D26/152, 113, 118, 119, 154, 61, 62,
D26/65, 75, 16, 1, 2, 3, 120, 138, 128, 155,
D26/76, 121, 124, 125, 123, 141, 142, 66,
D26/68, 86, 71, 72, 77, 78, 151, 145, 74, 85,
D26/89, 82, 84, 92, 87, 136, 63, 59, 58, 28,
D26/88, 11, 9, 22, 81, 127, 129, 130, 131,
D26/133, 134, 135, 55; D13/179, 180;
362/219, 223, 225, 347, 346, 373, 326,
362/283, 249.02, 362, 374, 375, 408, 327,
362/328, 404, 297, 147, 149, 249.03,
362/249.11; D23/377, 411, 413; D11/89,
D11/90

See application file for complete search history.

(56) **References Cited**

U.S. PATENT DOCUMENTS

D85,800 S * 12/1931 Winkler D26/130
D280,242 S * 8/1985 Burket et al. D26/134
D368,973 S * 4/1996 Dolan D26/85

5,704,709 A * 1/1998 Zwick et al. 362/304
6,425,678 B1 * 7/2002 Verdes et al. 362/244
D468,051 S * 12/2002 Gaskins et al. D26/123
6,755,556 B2 * 6/2004 Gasquet et al. 362/329
D495,822 S * 9/2004 Yoneda D26/124
6,953,271 B2 * 10/2005 Aynie et al. 362/511
D513,477 S * 1/2006 Heftman D10/111
6,991,351 B1 * 1/2006 Petrick 362/373
7,347,590 B2 * 3/2008 Lee et al. 362/327
D576,575 S * 9/2008 Kanayama et al. D13/180
7,452,093 B2 * 11/2008 Nagao 362/97.1
D583,493 S * 12/2008 Bucher et al. D26/59
7,473,013 B2 * 1/2009 Shimada 362/327
D618,849 S * 6/2010 Allegretti D26/131
D623,152 S * 9/2010 Hwang et al. D13/180
D625,045 S * 10/2010 Chen et al. D26/126
D625,881 S * 10/2010 Chen et al. D26/124
D631,184 S * 1/2011 Feng et al. D26/120
8,068,288 B1 * 11/2011 Pitou 359/743
D659,943 S * 5/2012 Gonegai D99/3
D667,800 S * 9/2012 Choi et al. D13/180

(Continued)

Primary Examiner — Kevin Rudzinski

(74) *Attorney, Agent, or Firm* — Krieg DeVault LLP

(57) **CLAIM**

The ornamental design for a lighting fixture lens, as shown and described.

DESCRIPTION

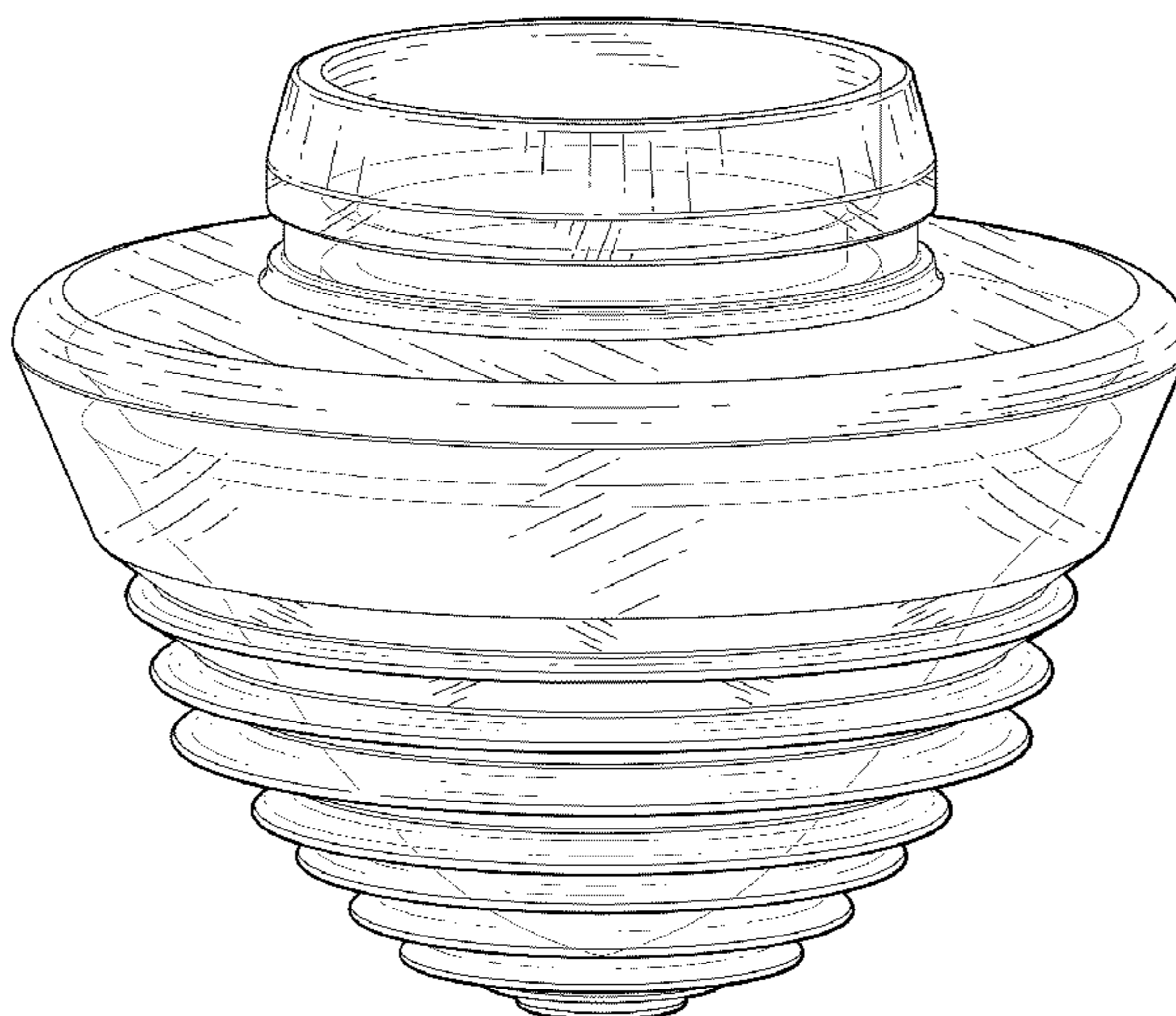
FIG. 1 shows an upper perspective view of a lighting fixture lens having a generally ribbed conical shape with a substantially cylindrical base;

FIG. 2 shows a side view of the lighting fixture lens shown in FIG. 1;

FIG. 3 shows a top view of the lighting fixture lens shown in FIG. 1; and,

FIG. 4 shows a bottom view of the lighting fixture lens shown in FIG. 1.

1 Claim, 3 Drawing Sheets



US D698,991 S

Page 2

(56)

References Cited

U.S. PATENT DOCUMENTS

8,480,265 B2 *	7/2013	Hsueh et al.	362/296.05	2004/0264199 A1 *	12/2004	Shu et al.	362/327
D689,649 S *	9/2013	Popper et al.	D26/124	2006/0067079 A1 *	3/2006	Noh et al.	362/327
2003/0063474 A1 *	4/2003	Coushaine	362/517	2009/0129097 A1 *	5/2009	Ewert et al.	362/328
				2010/0014286 A1 *	1/2010	Yoneda et al.	362/231

* cited by examiner

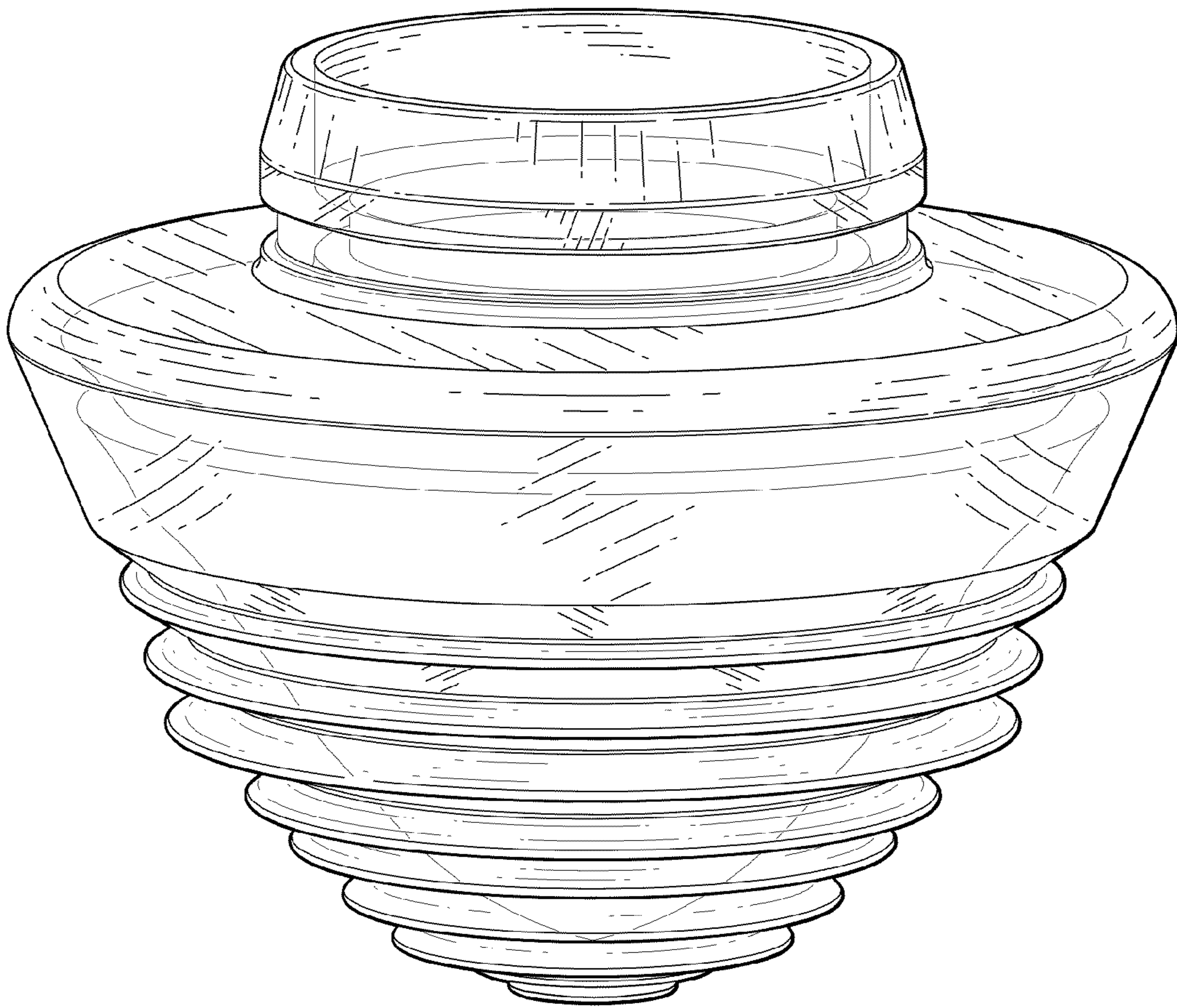


Fig. 1

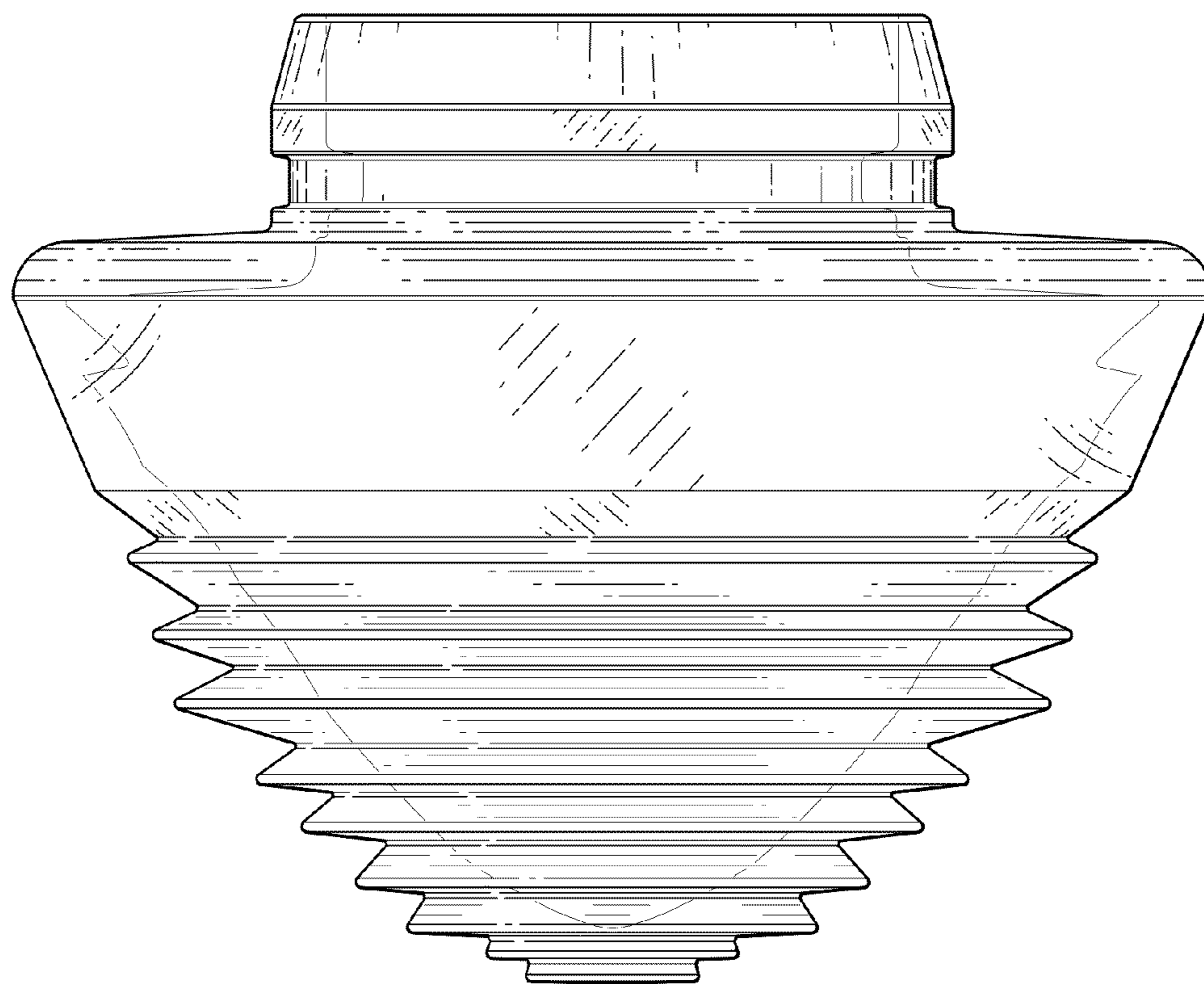


Fig. 2

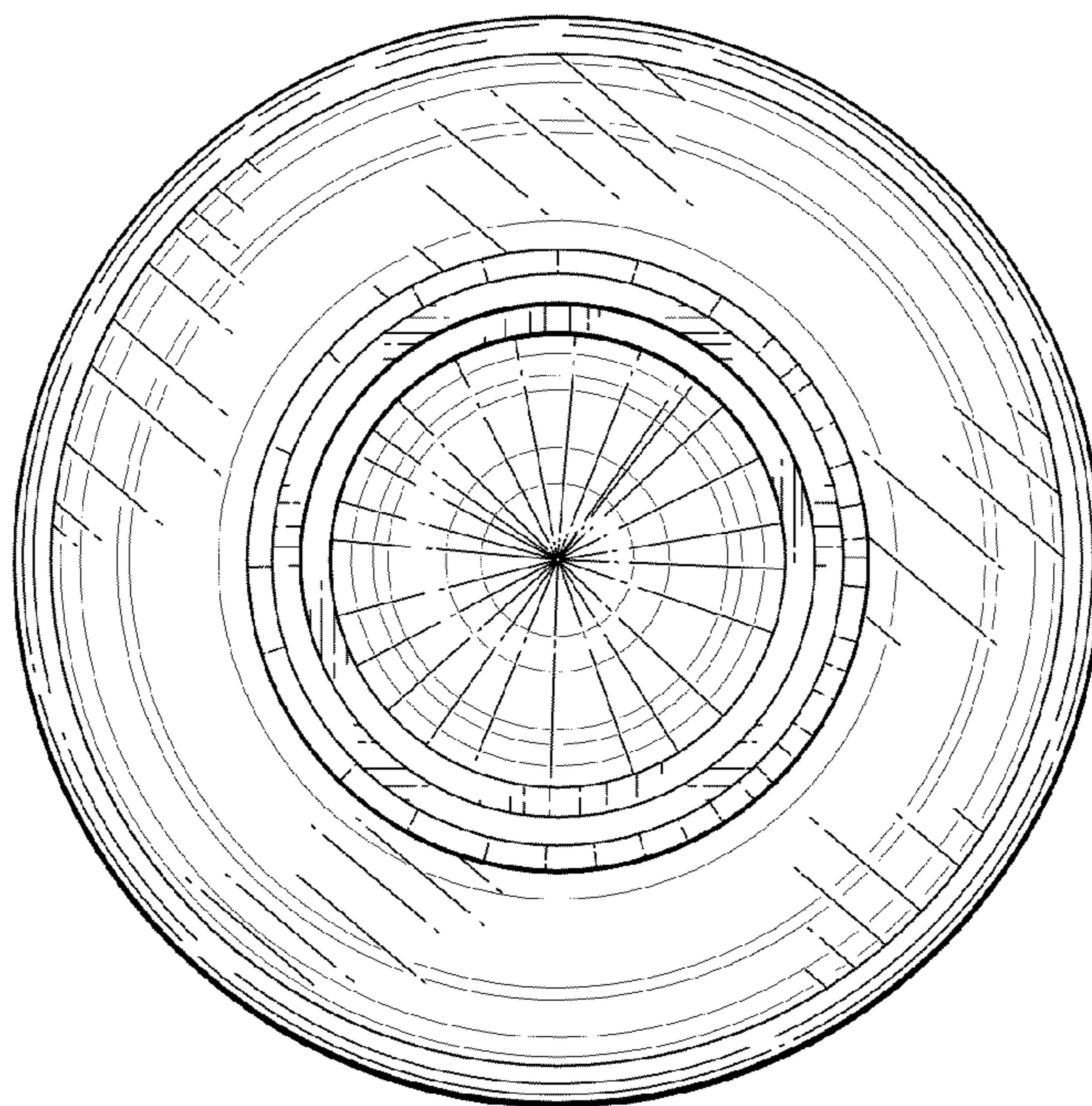


Fig. 3

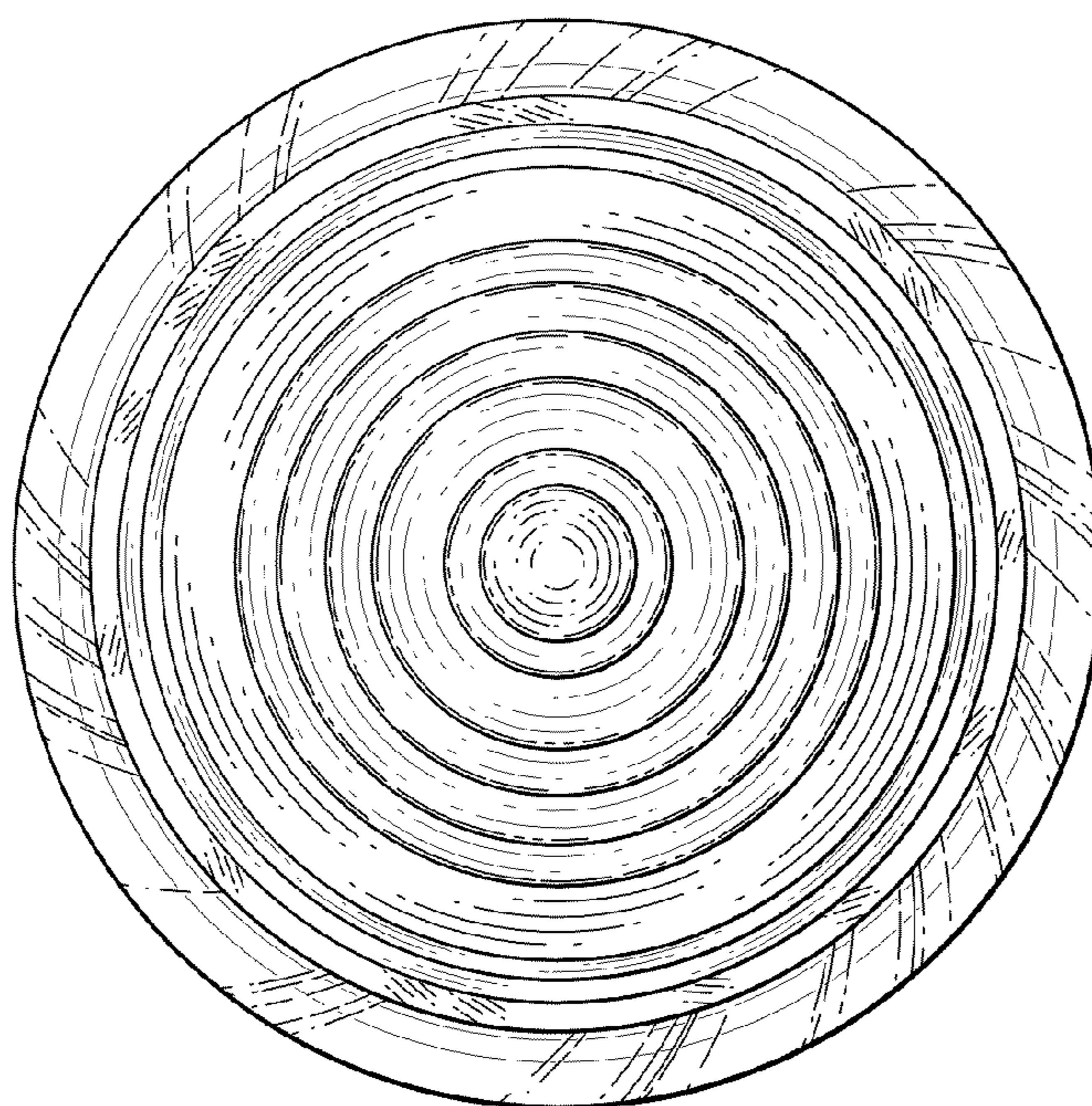


Fig. 4