



US00D698989S

(12) **United States Design Patent**
Dungan et al.

(10) **Patent No.:** **US D698,989 S**

(45) **Date of Patent:** **** Feb. 4, 2014**

(54) **LIGHTING APPARATUS**

(71) Applicant: **Cree, Inc.**, Durham, NC (US)

(72) Inventors: **William L. Dungan**, Cary, NC (US);
Mario A. Castillo, New Braunfels, TX (US)

(73) Assignee: **Cree, Inc.**, Durham, NC (US)

(**) Term: **14 Years**

(21) Appl. No.: **29/450,107**

(22) Filed: **Mar. 15, 2013**

(51) **LOC (10) Cl.** **26-99**

(52) **U.S. Cl.**
USPC **D26/128**

(58) **Field of Classification Search**
USPC D26/152, 113, 118, 119, 154, 61, 62,
D26/65, 75, 16, 1, 2, 3, 120, 138, 128, 155,
D26/76, 121, 124, 125, 123, 141, 142, 66,
D26/68, 86, 71, 72, 77, 78, 151, 145, 74, 85,
D26/89, 82, 84, 92, 87, 136, 63, 59, 58, 28,
D26/88, 11, 9, 22, 81, 127, 129, 130, 131,
D26/133, 134, 135, 55; D13/179, 180;
362/219, 223, 225, 347, 346, 373, 326,
362/283, 249.02, 362, 374, 375, 408, 327,
362/328, 404, 297, 147, 149, 249.03,
362/249.11; D23/377, 411, 413; D11/89,
D11/90

See application file for complete search history.

(56) **References Cited**

U.S. PATENT DOCUMENTS

D106,593 S *	10/1937	Guth	D26/88
D170,084 S *	7/1953	Glatthar et al.	D26/89
3,766,375 A *	10/1973	Edman et al.	362/309
4,175,661 A *	11/1979	Barnes	206/519
D254,215 S *	2/1980	Yahraus et al.	D26/89

D298,863 S *	12/1988	Tharp et al.	D26/88
D343,250 S *	1/1994	Fouke et al.	D26/88
D361,400 S *	8/1995	Compton	D26/85
5,444,606 A *	8/1995	Barnes et al.	362/340
D377,991 S *	2/1997	Vakil	D26/85
D393,093 S *	3/1998	Fiorato	D26/85
D400,286 S *	10/1998	Greene et al.	D26/88
D402,382 S *	12/1998	Pearce et al.	D26/85
D405,207 S *	2/1999	Mora	D26/85
D420,163 S *	2/2000	Fouke	D26/88
D432,257 S *	10/2000	Ewing	D26/85
D442,733 S *	5/2001	Minissi et al.	D26/118

(Continued)

Primary Examiner — Kevin Rudzinski

(74) *Attorney, Agent, or Firm* — McCracken & Frank LLC

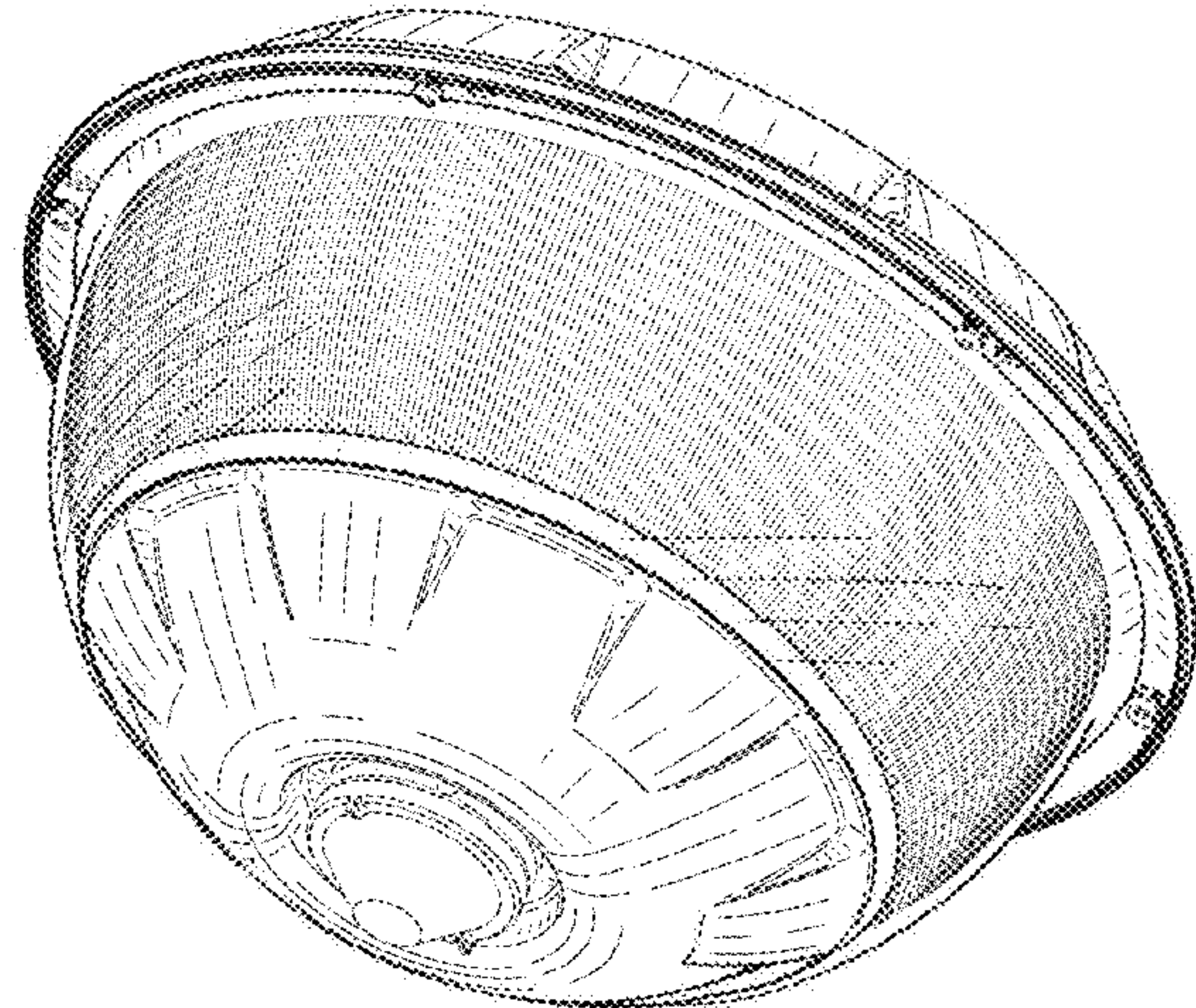
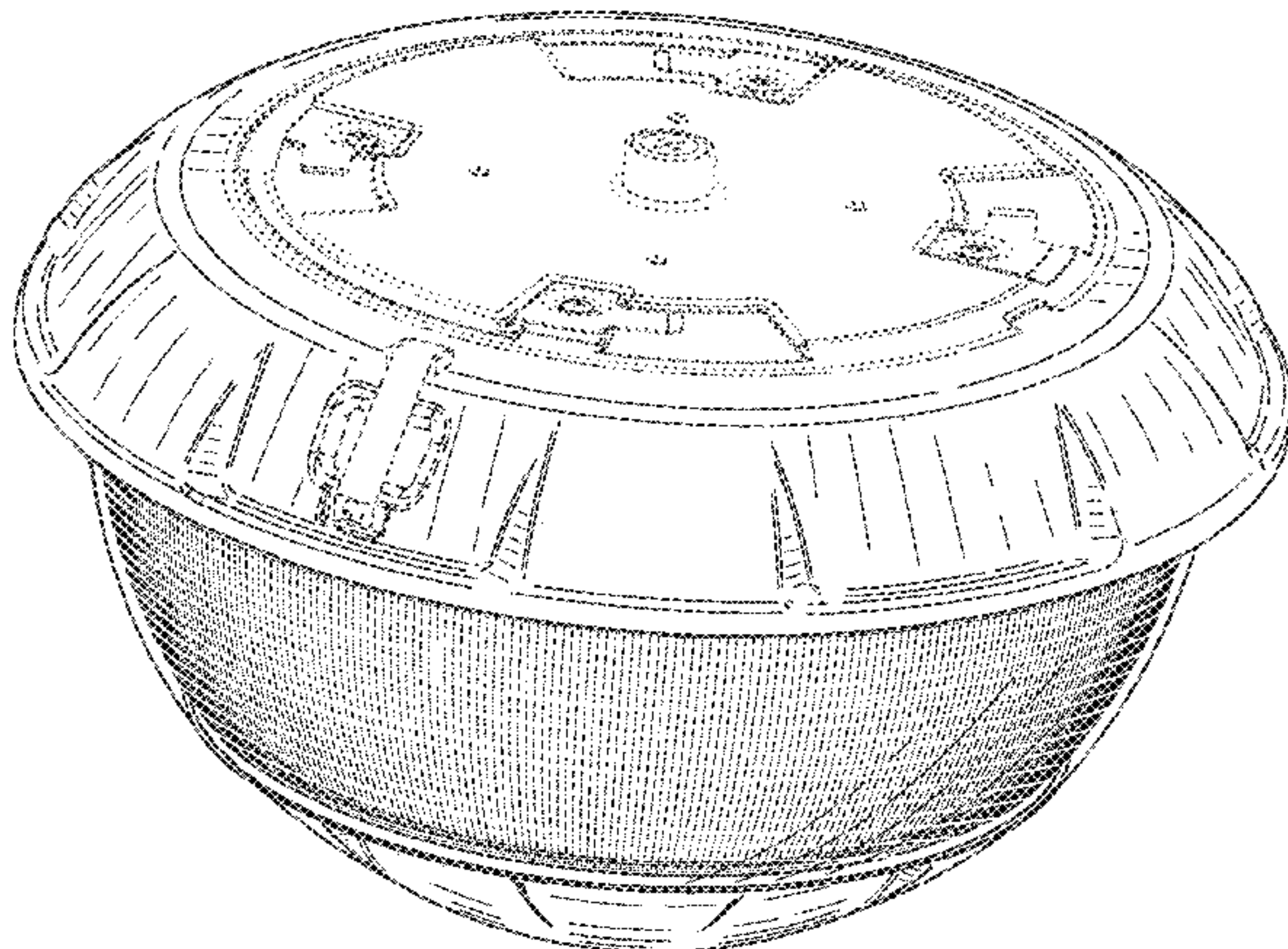
(57) **CLAIM**

The ornamental design for a lighting apparatus, as shown and described.

DESCRIPTION

FIG. 1 is a top isometric view of an ornamental design for a lighting apparatus;
 FIG. 2 is a bottom isometric view of the lighting apparatus of FIG. 1;
 FIG. 3 is a front elevation view of the lighting apparatus of FIG. 1;
 FIG. 4 is a back elevation view of the lighting apparatus of FIG. 1;
 FIG. 5 is a right elevation view of the lighting apparatus of FIG. 1;
 FIG. 6 is a left elevation view of the lighting apparatus of FIG. 1;
 FIG. 7 is a top plan view of the lighting apparatus of FIG. 1; and,
 FIG. 8 is a bottom plan view of the lighting apparatus of FIG. 1.
 The broken lines illustrating portions of the lighting apparatus form no part of the claimed design.

1 Claim, 8 Drawing Sheets



(56)

References Cited

U.S. PATENT DOCUMENTS

D444,903 S * 7/2001 Wang D26/85
D447,829 S * 9/2001 Bradford et al. D26/85
D461,267 S * 8/2002 Arumugasaamy D26/85
6,494,596 B1 * 12/2002 Burroughs 362/348
D482,816 S * 11/2003 Packer et al. D26/89
D516,740 S * 3/2006 Sales D26/123

D551,795 S * 9/2007 Compton et al. D26/89
D571,034 S * 6/2008 Goetz-Schaefer D26/85
7,445,362 B2 * 11/2008 Compton et al. 362/346
D625,038 S * 10/2010 Yoo D26/85
D639,996 S * 6/2011 Stolte et al. D26/89
D657,088 S * 4/2012 Miro D26/89
D668,811 S * 10/2012 Peter D26/89
8,534,877 B1 * 9/2013 Leadford et al. 362/310

* cited by examiner

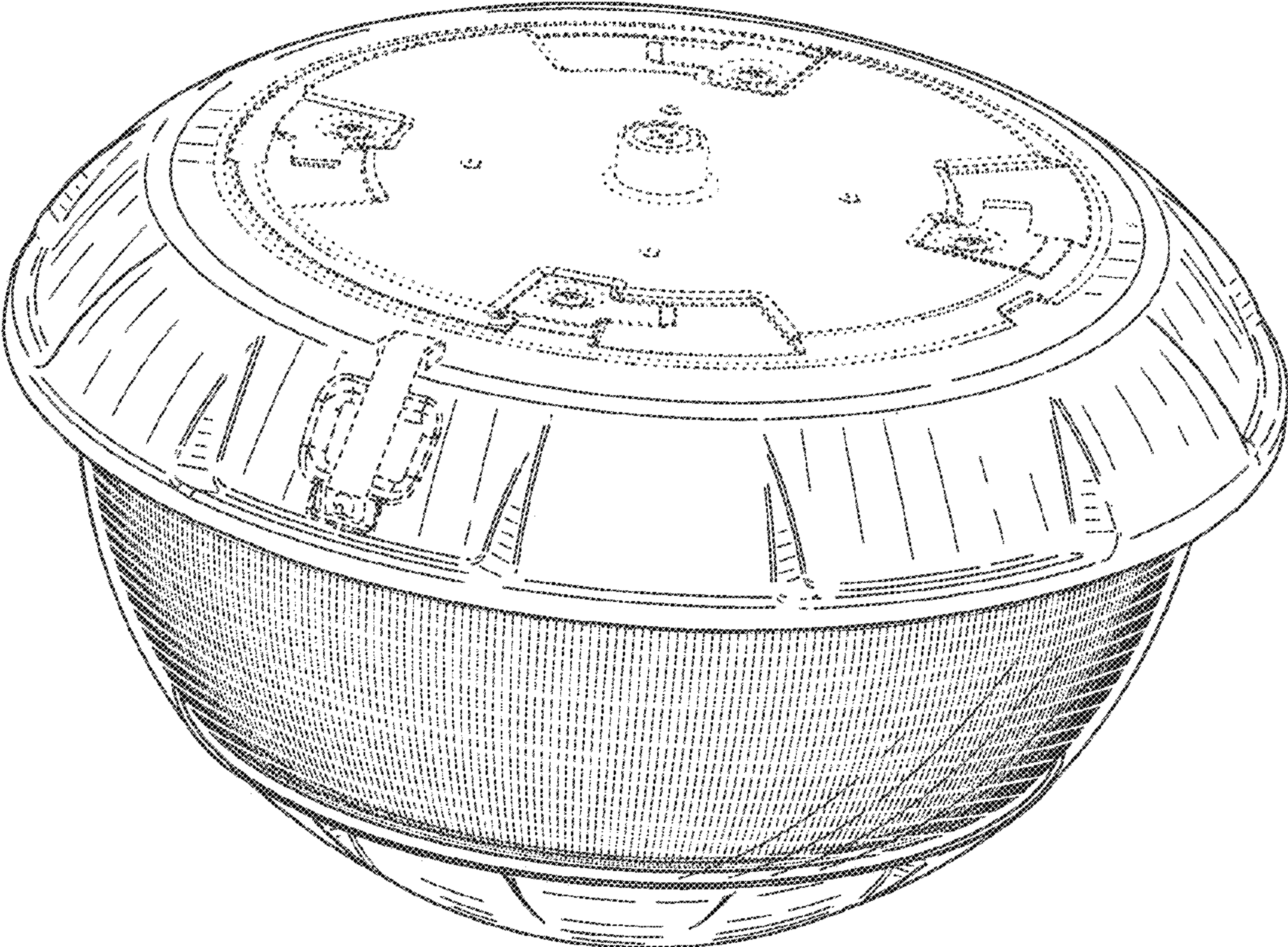


FIG. 1

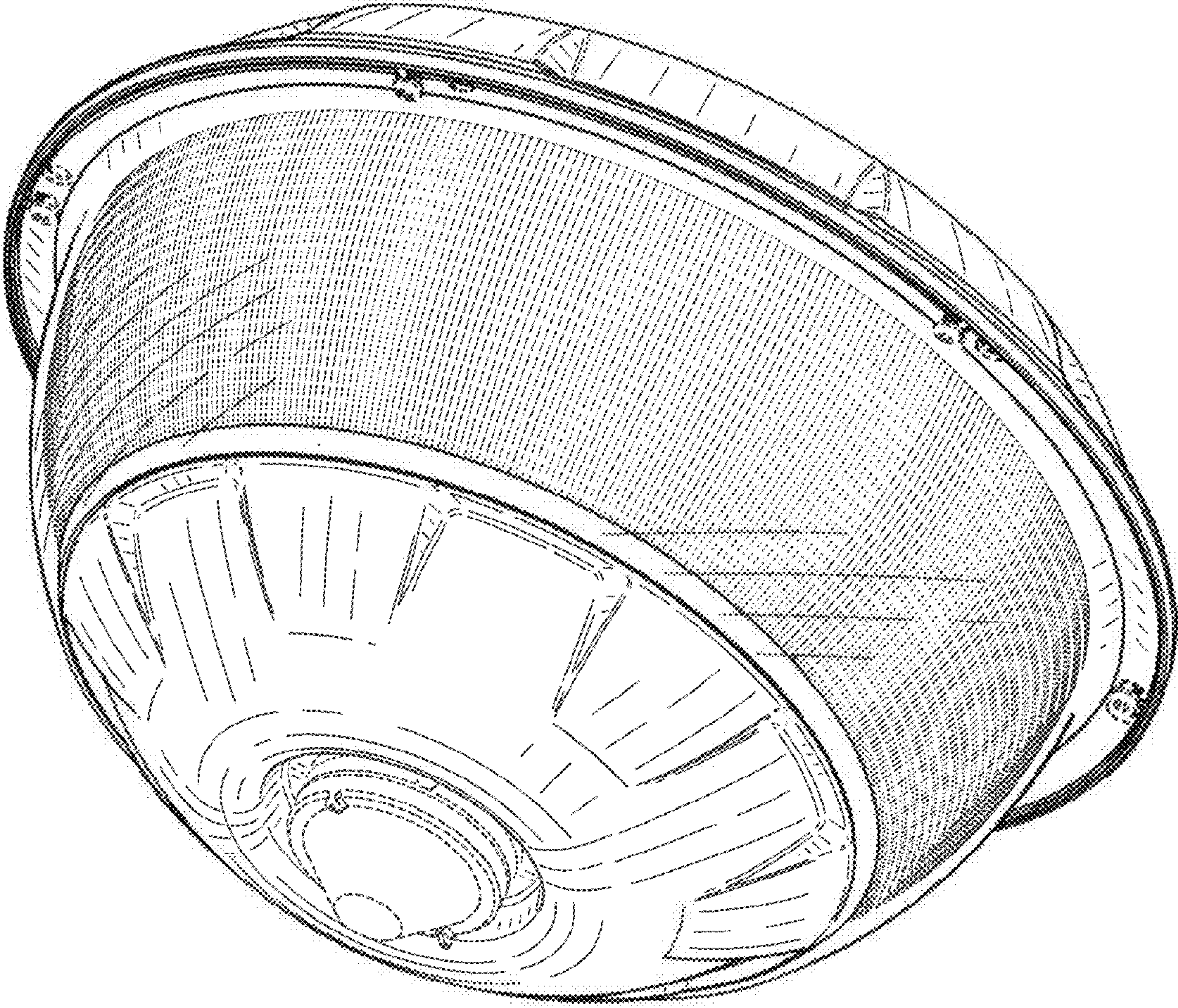


FIG. 2

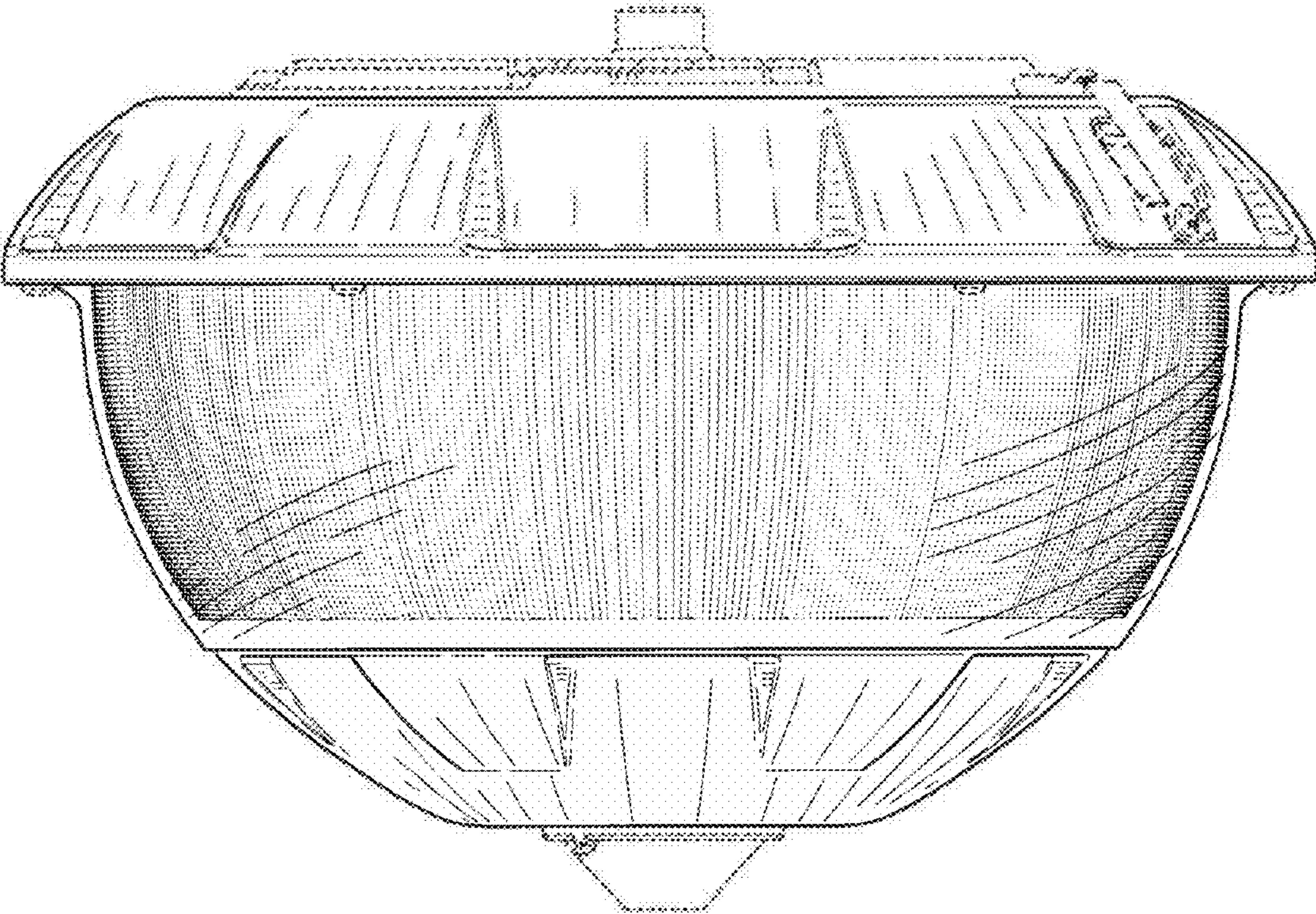


FIG. 3

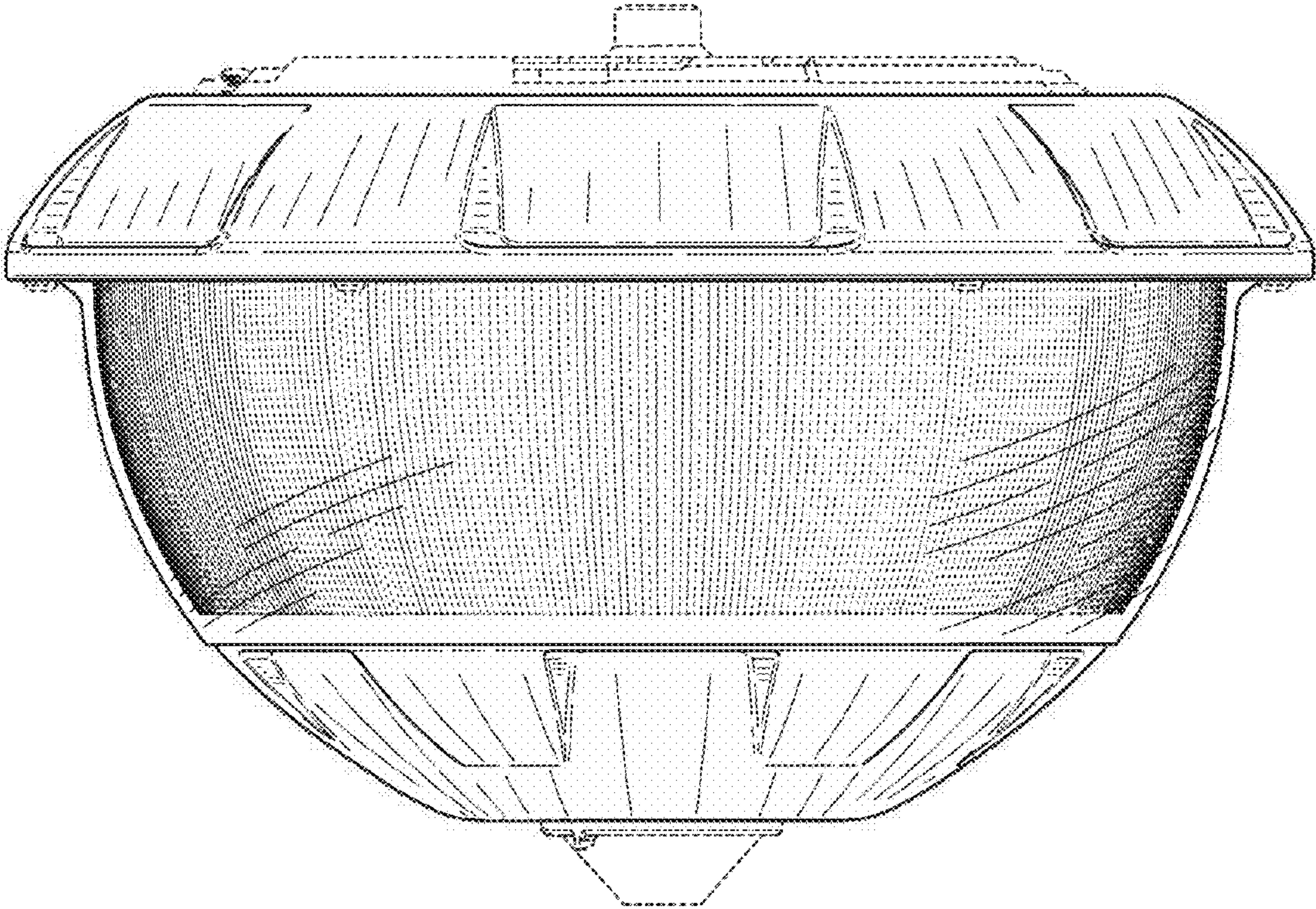


FIG. 4

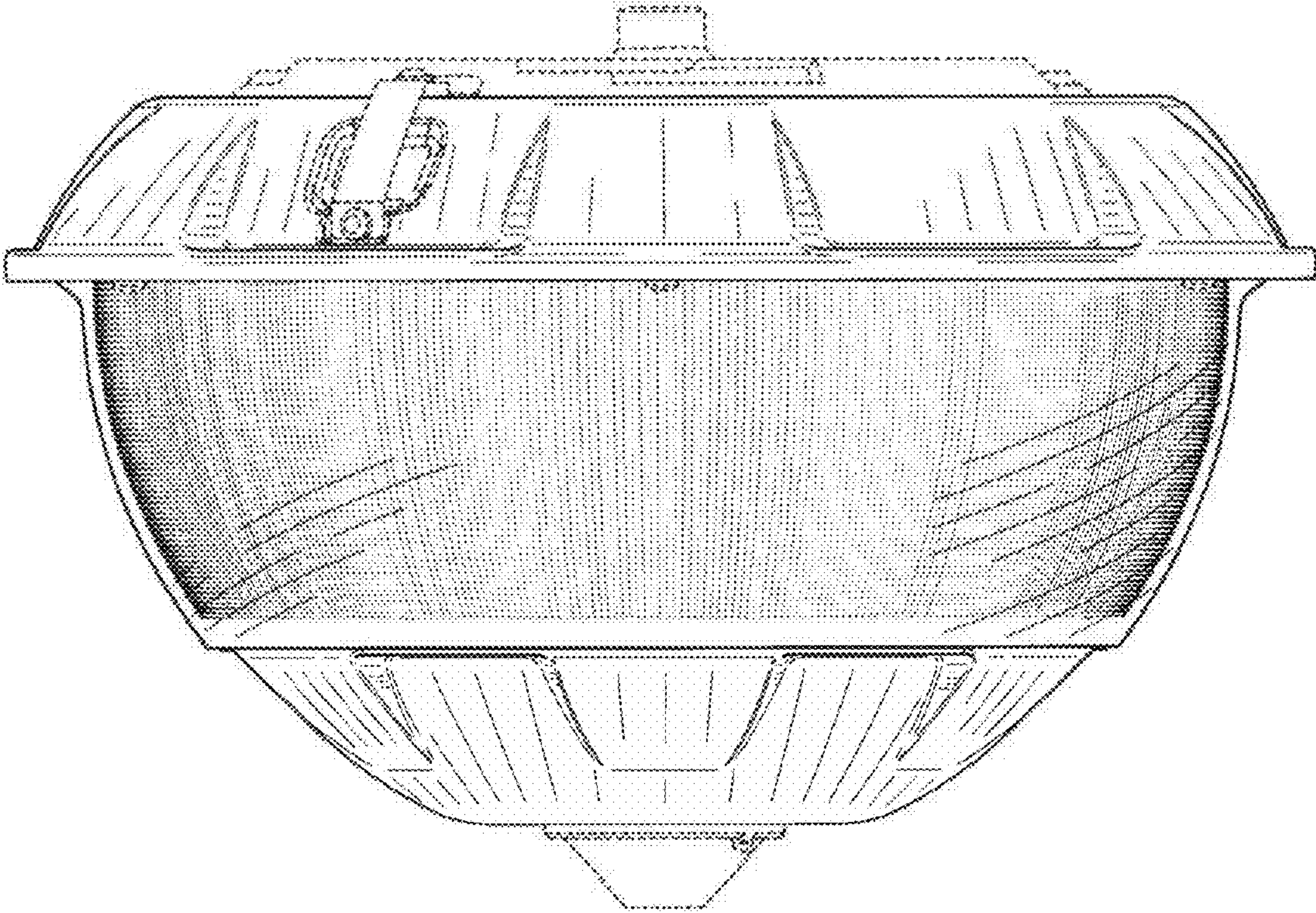


FIG. 5

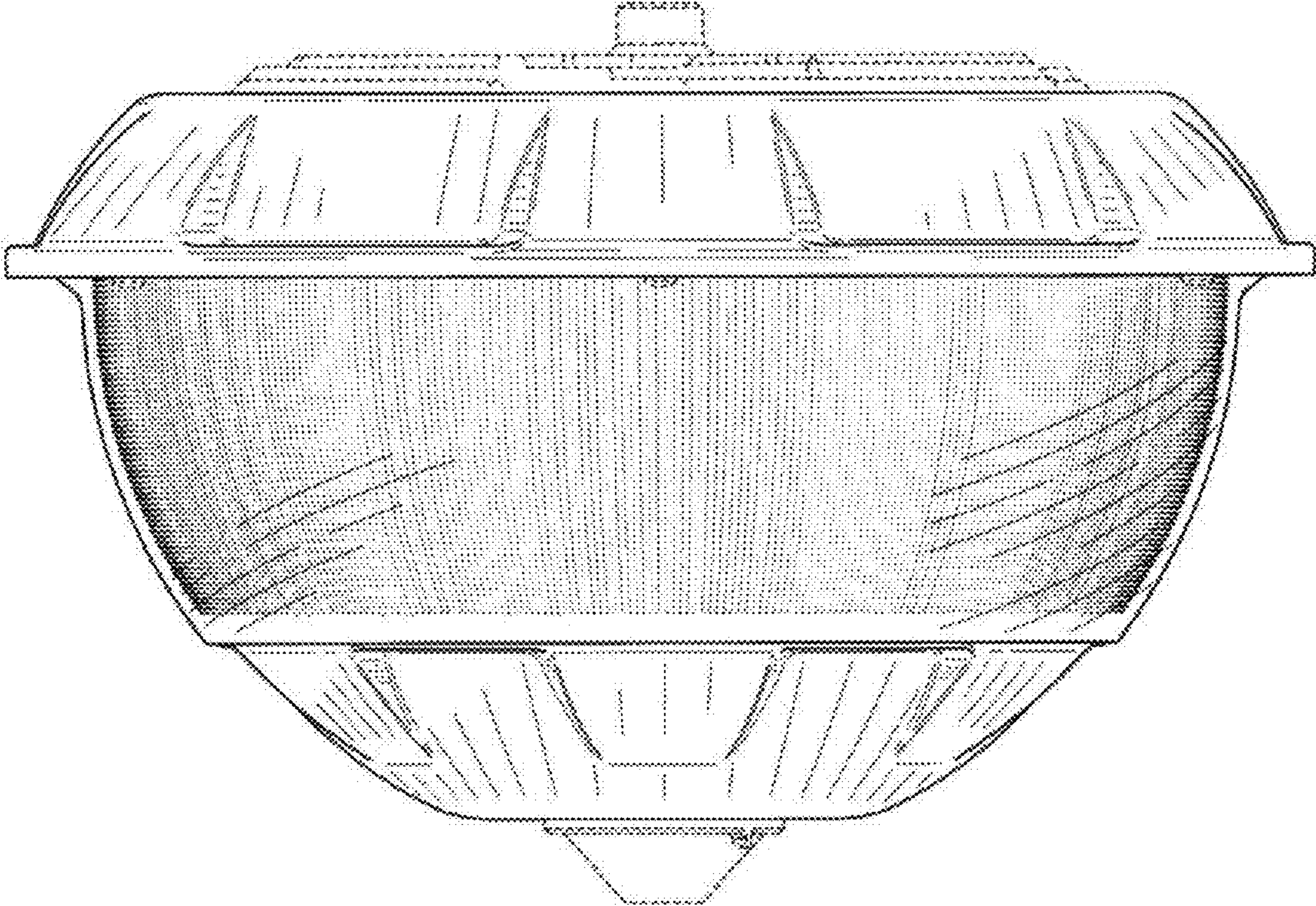


FIG. 6

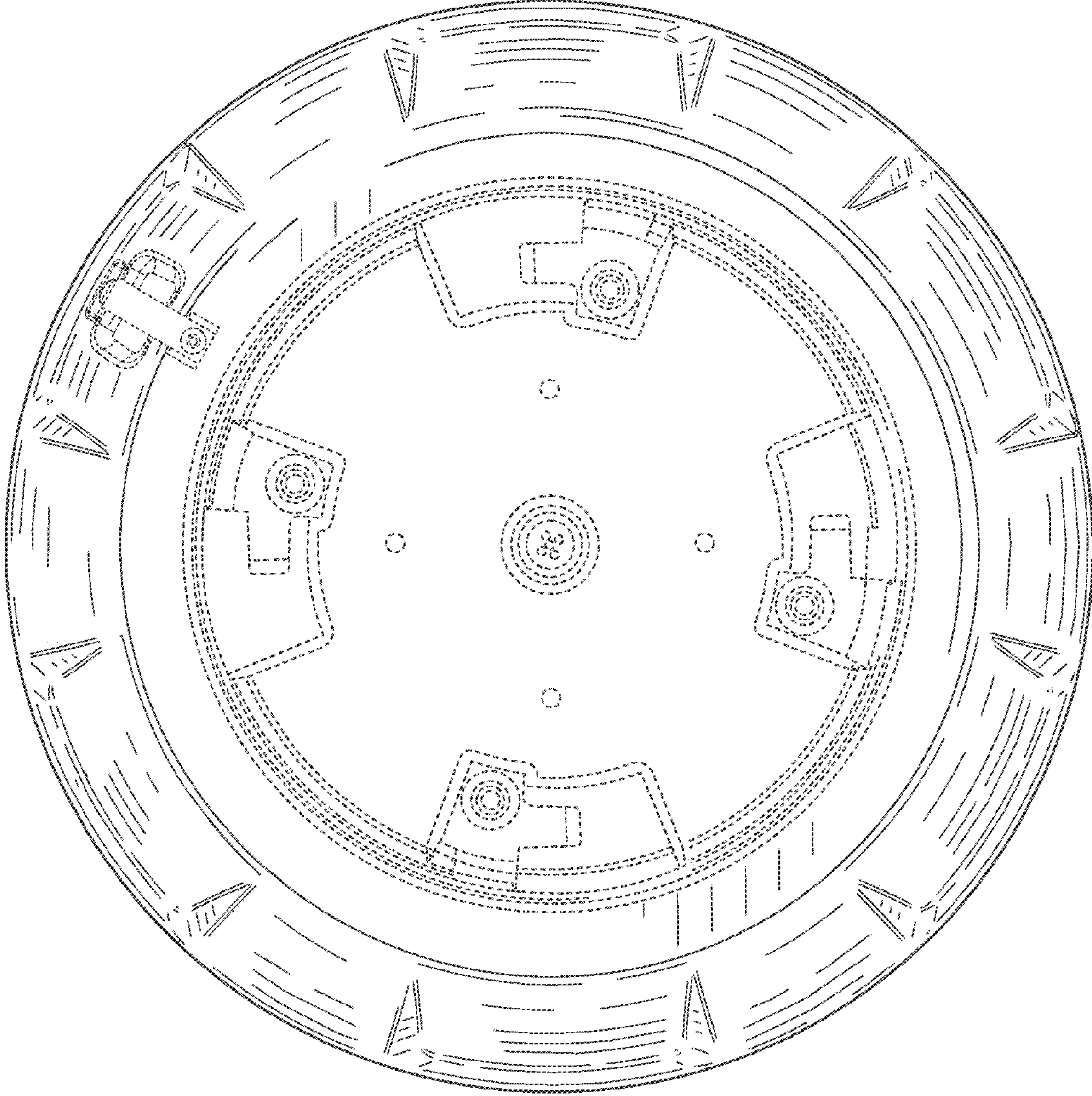


FIG. 7

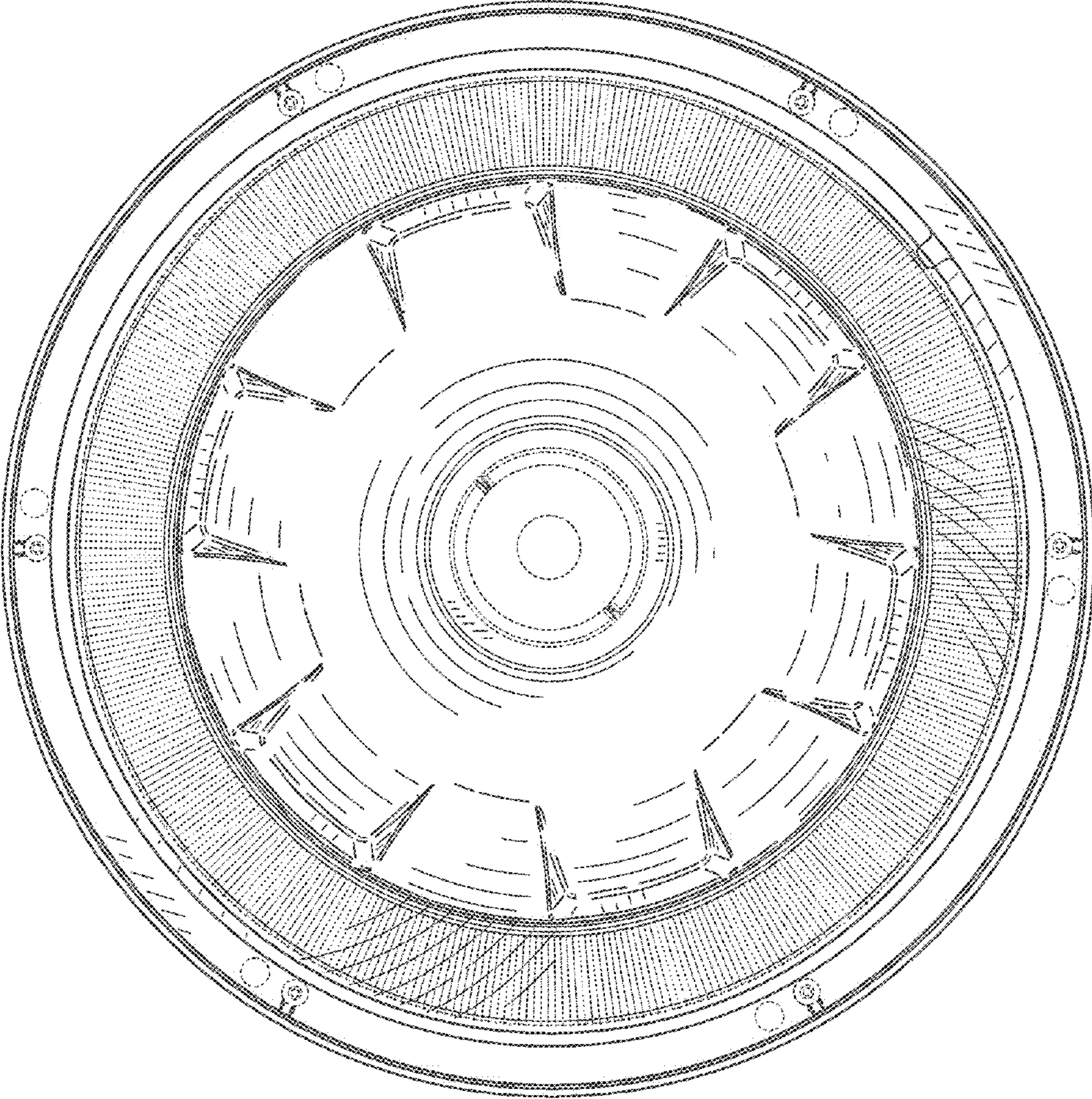


FIG. 8