



US00D698985S

(12) **United States Design Patent**
Lopez et al.

(10) **Patent No.:** **US D698,985 S**
(45) **Date of Patent:** **** Feb. 4, 2014**

(54) **LIGHTING FIXTURE**

(71) Applicant: **Cree, Inc.**, Durham, NC (US)
(72) Inventors: **Peter E. Lopez**, Cary, NC (US); **Aparna Sproelich**, Cary, NC (US); **Jason Taylor**, Cary, NC (US)
(73) Assignee: **Cree, Inc.**, Durham, NC (US)
(**) Term: **14 Years**

(21) Appl. No.: **29/450,912**

(22) Filed: **Mar. 26, 2013**

Related U.S. Application Data

(62) Division of application No. 29/389,409, filed on Apr. 11, 2011, now Pat. No. Des. 683,890.
(51) **LOC (10) Cl.** **26-99**
(52) **U.S. Cl.**
USPC **D26/113**
(58) **Field of Classification Search**
USPC D26/152, 113, 118, 119, 154, 61, 62, D26/65, 75, 16, 1, 2, 3, 120, 138, 128, 155, D26/76, 121, 124, 125, 123, 141, 142, 66, D26/68, 86, 71, 72, 77, 78, 151, 145, 74, 85, D26/89, 82, 84, 92, 87, 136, 63, 59, 58, 88, D26/11, 9, 22, 81, 127, 129, 130, 131, 133, D26/134, 135, 55; D13/179, 180; 362/219, 362/223, 225, 347, 346, 373, 326, 283, 362/249.02, 362, 374, 375, 408, 327, 328, 362/404, 297, 147, 149, 249.03, 249.11; D23/377, 411, 413; D11/89, 90

See application file for complete search history.

(56) **References Cited**

U.S. PATENT DOCUMENTS

6,851,467 B1 * 2/2005 Bamford et al. 165/80.3
7,303,301 B2 * 12/2007 Koren et al. 362/101
D578,698 S 10/2008 Zheng
7,458,706 B1 12/2008 Liu et al.
D591,894 S * 5/2009 Flank D26/74
7,553,047 B2 6/2009 Shin et al.
D611,650 S * 3/2010 Broekhoff D26/134
7,744,259 B2 6/2010 Walczak et al.
D627,727 S * 11/2010 Alexander et al. D13/134
D627,912 S * 11/2010 Mo D26/72

(Continued)

FOREIGN PATENT DOCUMENTS

WO 2009111940 A1 9/2009
WO 2011037879 A1 3/2011

OTHER PUBLICATIONS

International Search Report and Written Opinion for PCT/US2011/055881 mailed Jun. 14, 2012.

(Continued)

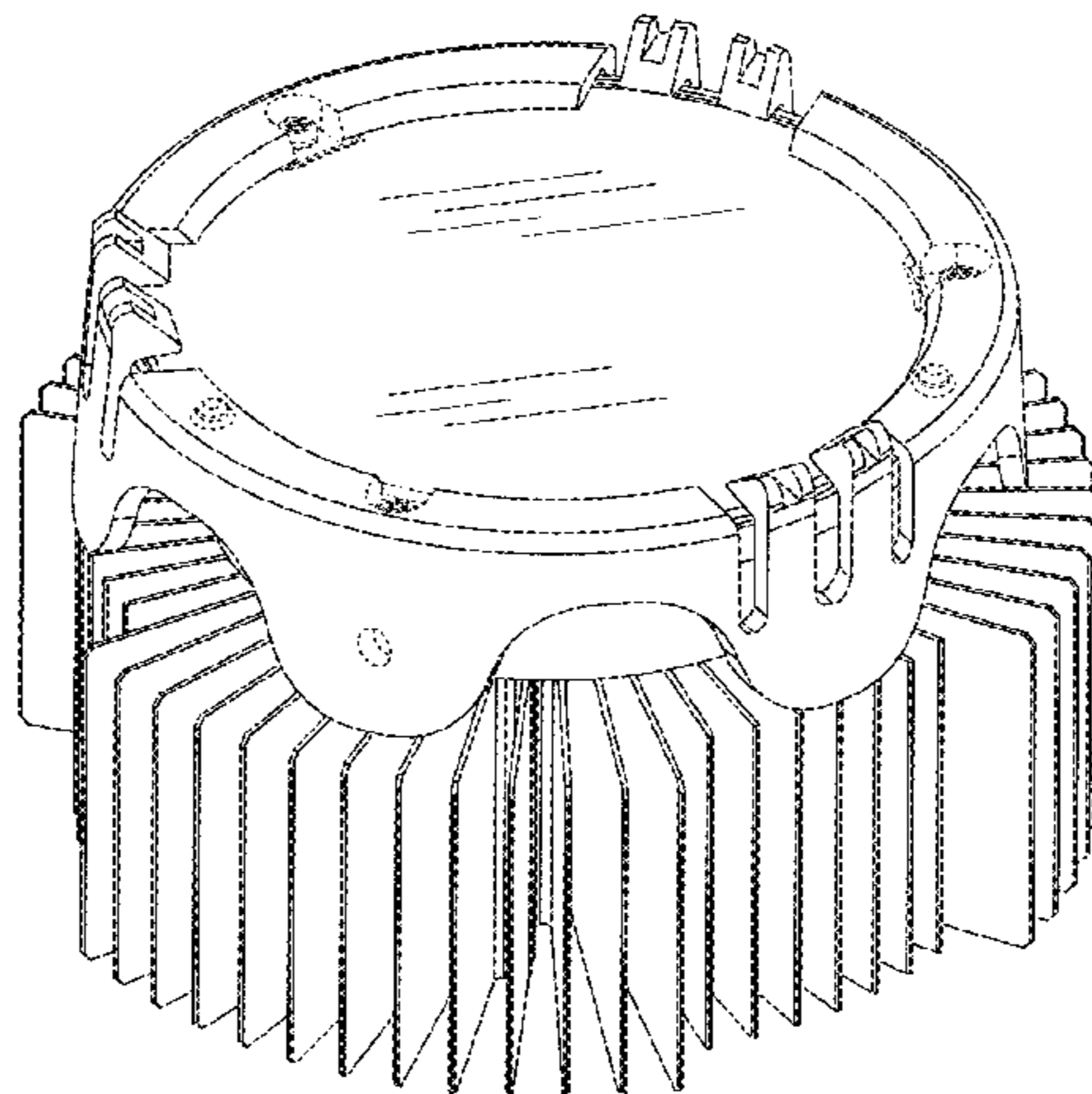
Primary Examiner — Kevin Rudzinski
(74) *Attorney, Agent, or Firm* — Withrow & Terranova, P.L.L.C.

(57) **CLAIM**
The ornamental design for lighting fixture, as shown and described.

DESCRIPTION

FIG. 1 is a front isometric view of a lighting fixture according to the design;
FIG. 2 is a front elevation view of the lighting fixture of FIG. 1; and,
FIG. 3 is a side elevation view of the lighting fixture of FIG. 1.
The broken lines in the drawings illustrate portions of the lighting fixture and do not form part of the claimed design.

1 Claim, 3 Drawing Sheets



(56)

References Cited

U.S. PATENT DOCUMENTS

D628,156 S * 11/2010 Alexander et al. D13/134
 7,845,393 B2 * 12/2010 Kao et al. 165/80.3
 D633,099 S * 2/2011 Van de Ven et al. D15/1
 7,914,902 B2 3/2011 Kao et al.
 7,967,474 B2 6/2011 Ghim et al.
 D651,735 S 1/2012 Dai
 8,125,776 B2 * 2/2012 Alexander et al. 361/688
 D656,263 S * 3/2012 Ogawa et al. D26/74
 D664,291 S * 7/2012 Blincoe et al. D26/152
 D666,351 S * 8/2012 Tsao D26/92
 8,292,482 B2 * 10/2012 Harbers et al. 362/547
 8,322,892 B2 * 12/2012 Scordino et al. 362/294
 D683,063 S * 5/2013 Lopez et al. D26/113
 D683,890 S * 6/2013 Lopez et al. D26/113
 2006/0196636 A1 * 9/2006 Liu 165/80.3
 2006/0290891 A1 12/2006 Wang et al.
 2007/0253202 A1 11/2007 Wu et al.
 2007/0297177 A1 * 12/2007 Wang et al. 362/294
 2009/0034283 A1 * 2/2009 Albright et al. 362/545

2009/0147517 A1 6/2009 Li et al.
 2009/0201683 A1 * 8/2009 Chuan 362/294
 2009/0290343 A1 11/2009 Brown et al.
 2010/0225220 A1 9/2010 Tanaka et al.
 2010/0259935 A1 10/2010 Scordino et al.
 2011/0002124 A1 1/2011 Chang et al.
 2011/0074289 A1 3/2011 Van de Ven et al.
 2011/0075411 A1 3/2011 Van De Ven et al.
 2011/0075414 A1 3/2011 Van De Ven et al.

OTHER PUBLICATIONS

Notice of Allowance for U.S. Appl. No. 29/389,409 mailed Jan. 2, 2013.
 International Preliminary Report on Patentability for PCT/US2011/055881 mailed Jan. 23, 2013.
 Written Opinion of the International Preliminary Examining Authority for PCT/US2011/055881 mailed Oct. 19, 2012.
 Non-Final Office Action for U.S. Appl. No. 13/084,174, mailed Aug. 15, 2013, 8 pages.

* cited by examiner

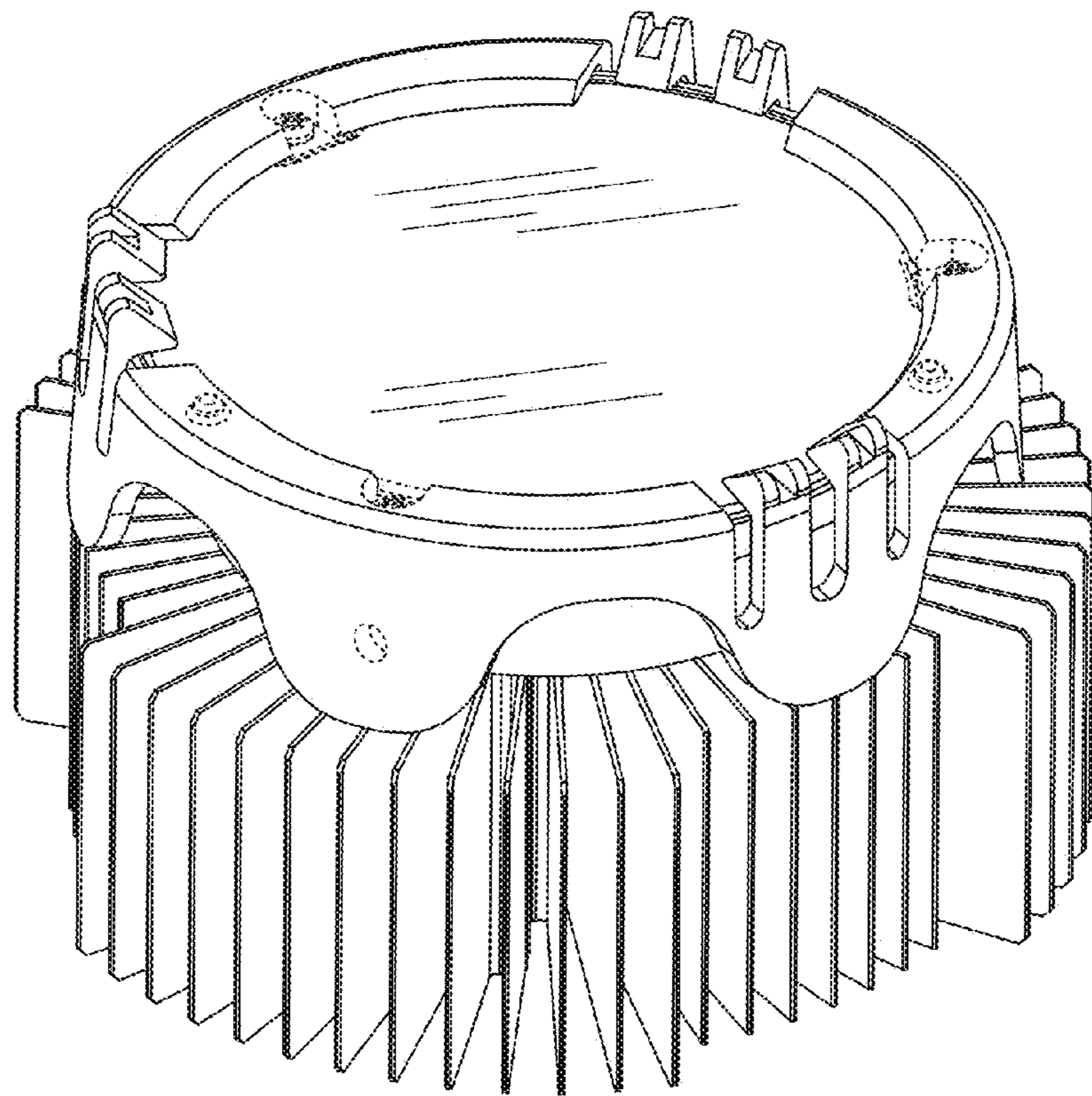


FIG. 1

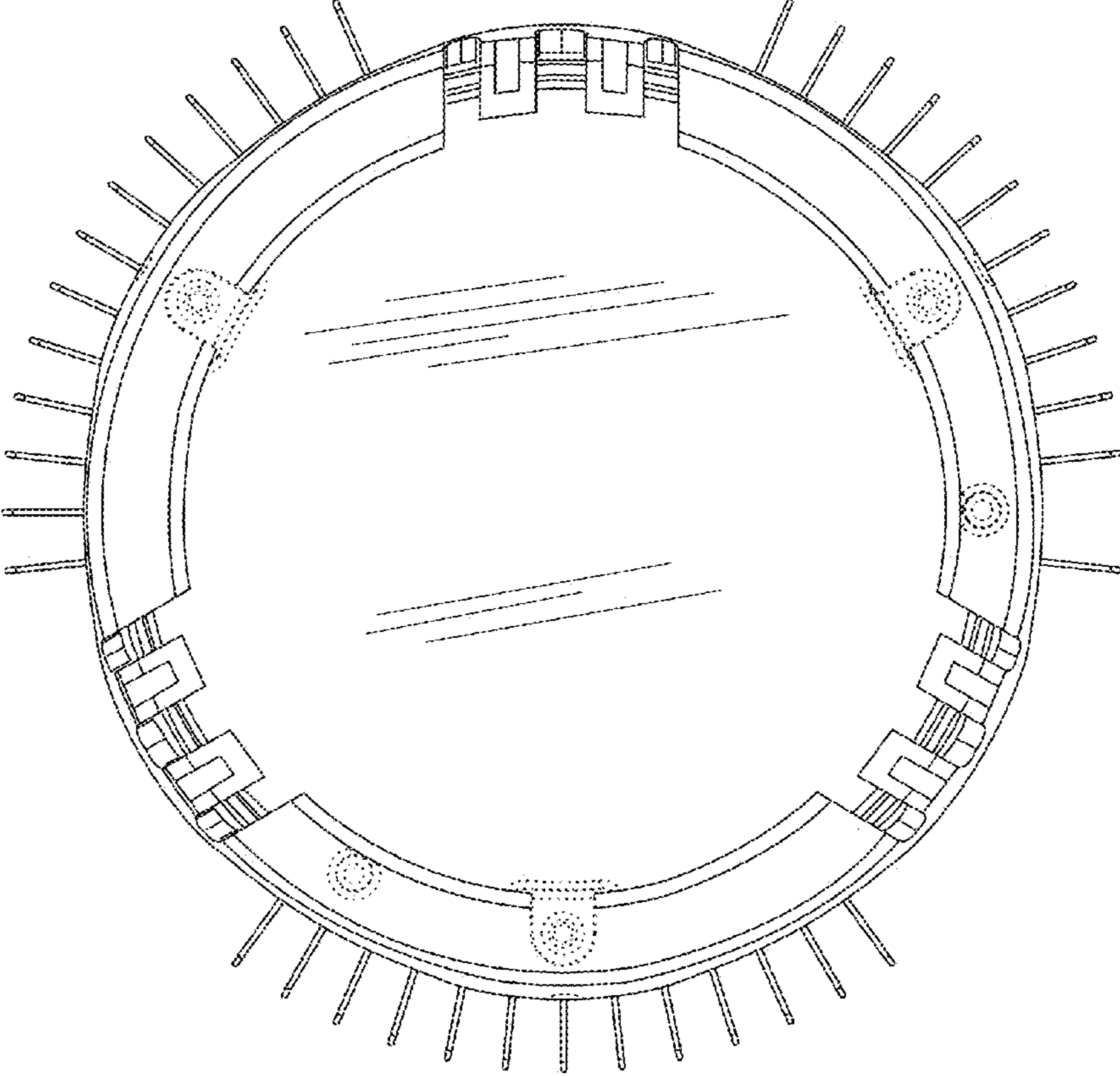


FIG. 2

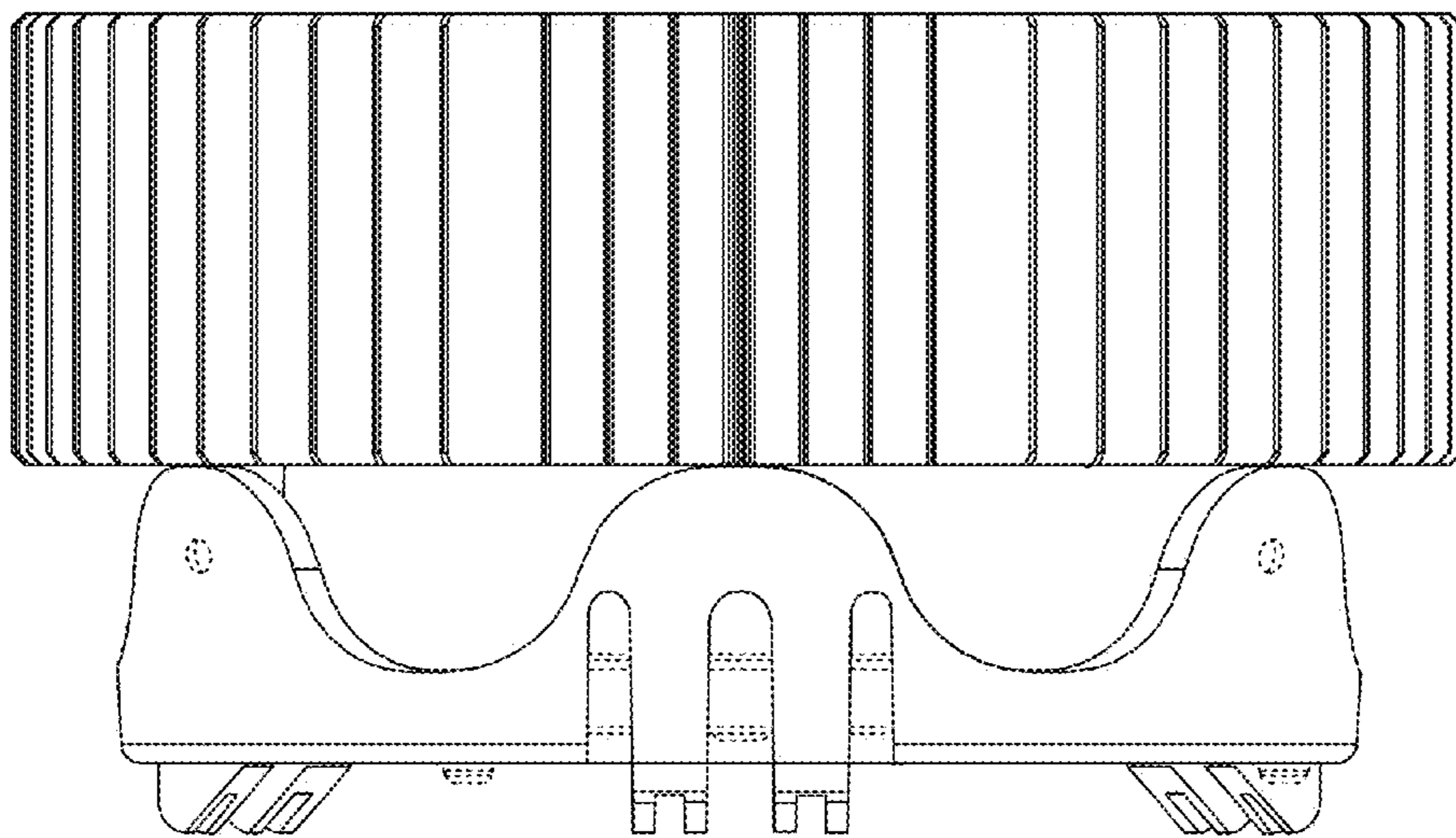


FIG. 3