

US00D698983S

(12) **United States Design Patent**  
**Rampolla et al.**

(10) **Patent No.:** **US D698,983 S**

(45) **Date of Patent:** **\*\* Feb. 4, 2014**

(54) **CEILING LIGHT**

(71) Applicant: **Emme Pi Light-Masiero S.R.L.**, Casale sul Sile (IT)

(72) Inventors: **Gianpaolo Rampolla**, Palermo (IT);  
**Andrea Liguori**, Palermo (IT)

(73) Assignee: **Emme Pi Light—Masiero S.R.L.**, Casale sul Sile (IT)

(\*\*) Term: **14 Years**

(21) Appl. No.: **29/456,855**

(22) Filed: **Jun. 4, 2013**

(51) **LOC (10) Cl.** ..... **26-03**

(52) **U.S. Cl.**  
USPC ..... **D26/90; D26/88**

(58) **Field of Classification Search**  
USPC ..... D26/72, 80–84, 88–91, 118; 362/147,  
362/404–408

See application file for complete search history.

(56) **References Cited**

**U.S. PATENT DOCUMENTS**

D18,223 S *	4/1888	Barr	.....	D7/565
D40,706 S *	5/1910	Perring	.....	D26/137
D45,539 S *	3/1914	Meyers	.....	D26/90
D441,895 S *	5/2001	Orozco	.....	D26/85

D465,872 S *	11/2002	Cacaci	.....	D26/90
D566,320 S *	4/2008	Kim	.....	D26/88
D593,704 S *	6/2009	Lovegrove	.....	D26/90
D605,333 S *	12/2009	Miranda	.....	D26/88
D606,233 S *	12/2009	Benghozi	.....	D26/88
D621,087 S *	8/2010	Nagane et al.	.....	D26/88
D686,771 S *	7/2013	Lastimosa	.....	D26/88
D687,589 S *	8/2013	Wick	.....	D26/90
D689,648 S *	9/2013	Silver	.....	D26/88

**OTHER PUBLICATIONS**

Artcraft AC181 Eternity 33 Light Circular LED Foyer Pendant.  
Found at homeclick.com visited Oct. 22, 2013.\*  
Anapolis 10 light pendant #16484-016 shown on p. 210 of the  
Eurofase Illuminations Catalog #MKT-CAT-EF09. © 2009. (2 pages;  
includes rear cover).\*

\* cited by examiner

*Primary Examiner* — Clare E Heflin

(74) *Attorney, Agent, or Firm* — Themis Law

(57) **CLAIM**

The ornamental design for a ceiling light, as shown.

**DESCRIPTION**

FIG. 1 is a first perspective view of a ceiling light showing our new design;

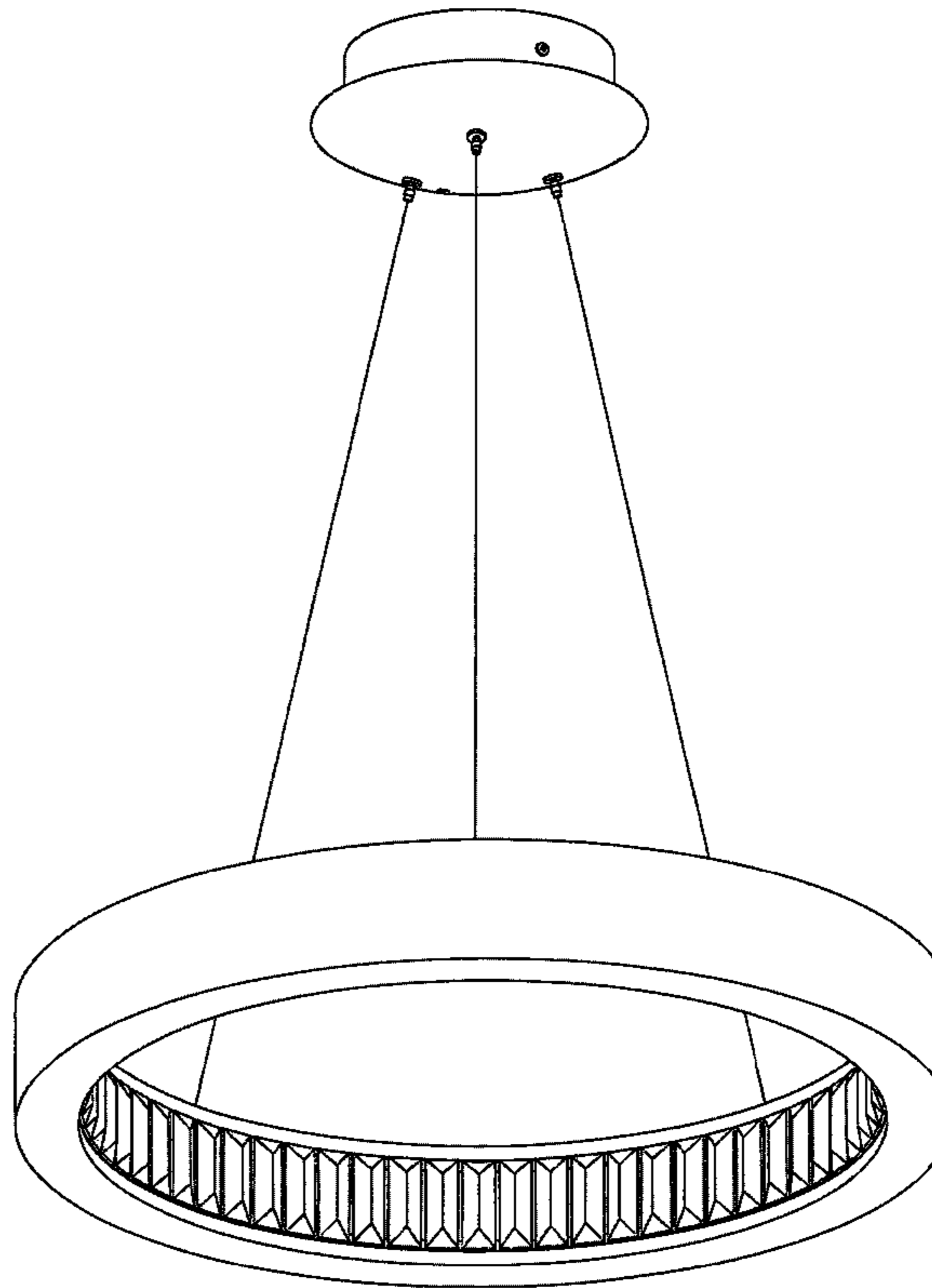
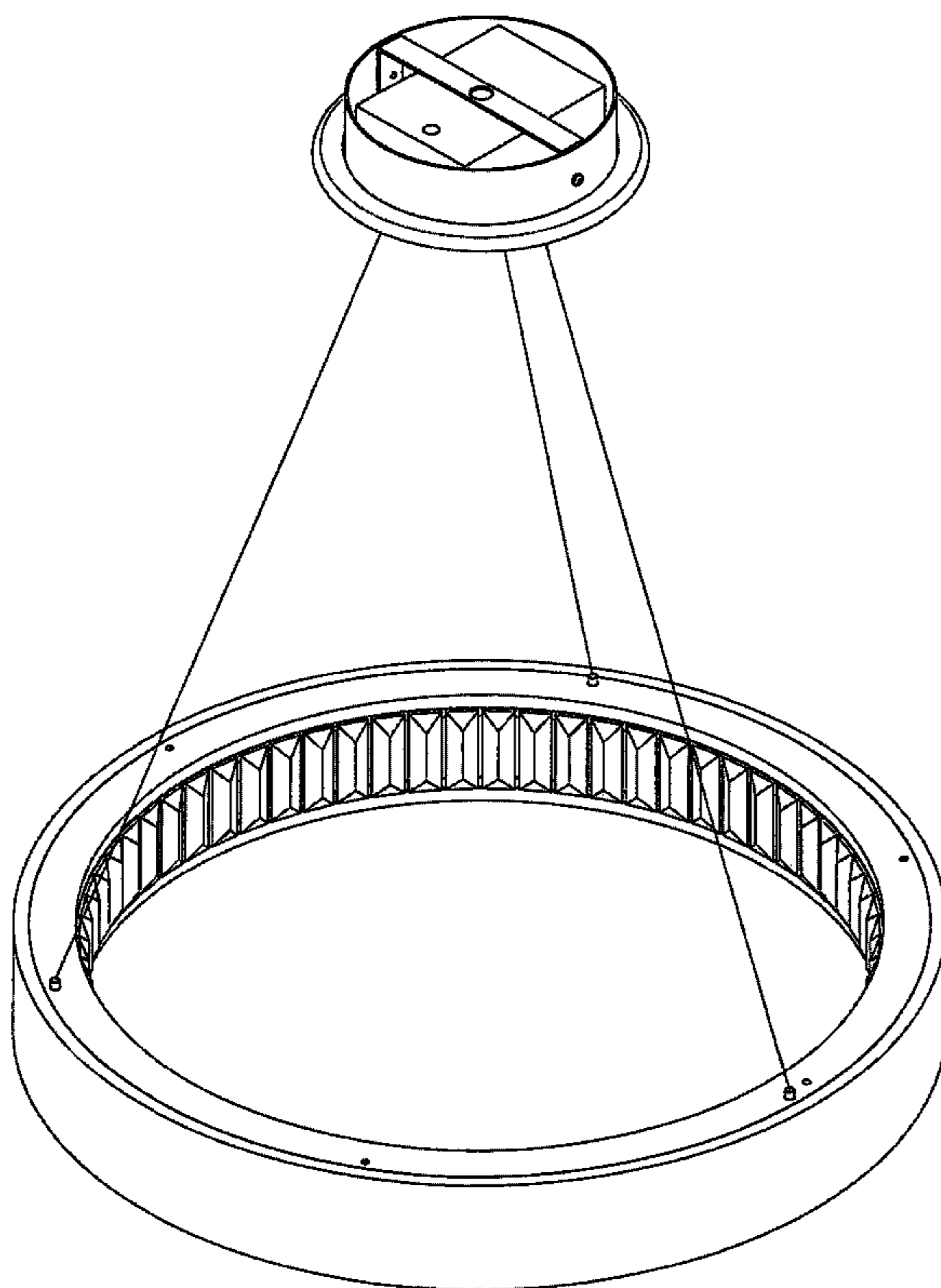
FIG. 2 is a second perspective view thereof;

FIG. 3 is a front elevational view thereof;

FIG. 4 is a top plan view thereof; and,

FIG. 5 is a bottom plan view thereof.

**1 Claim, 5 Drawing Sheets**



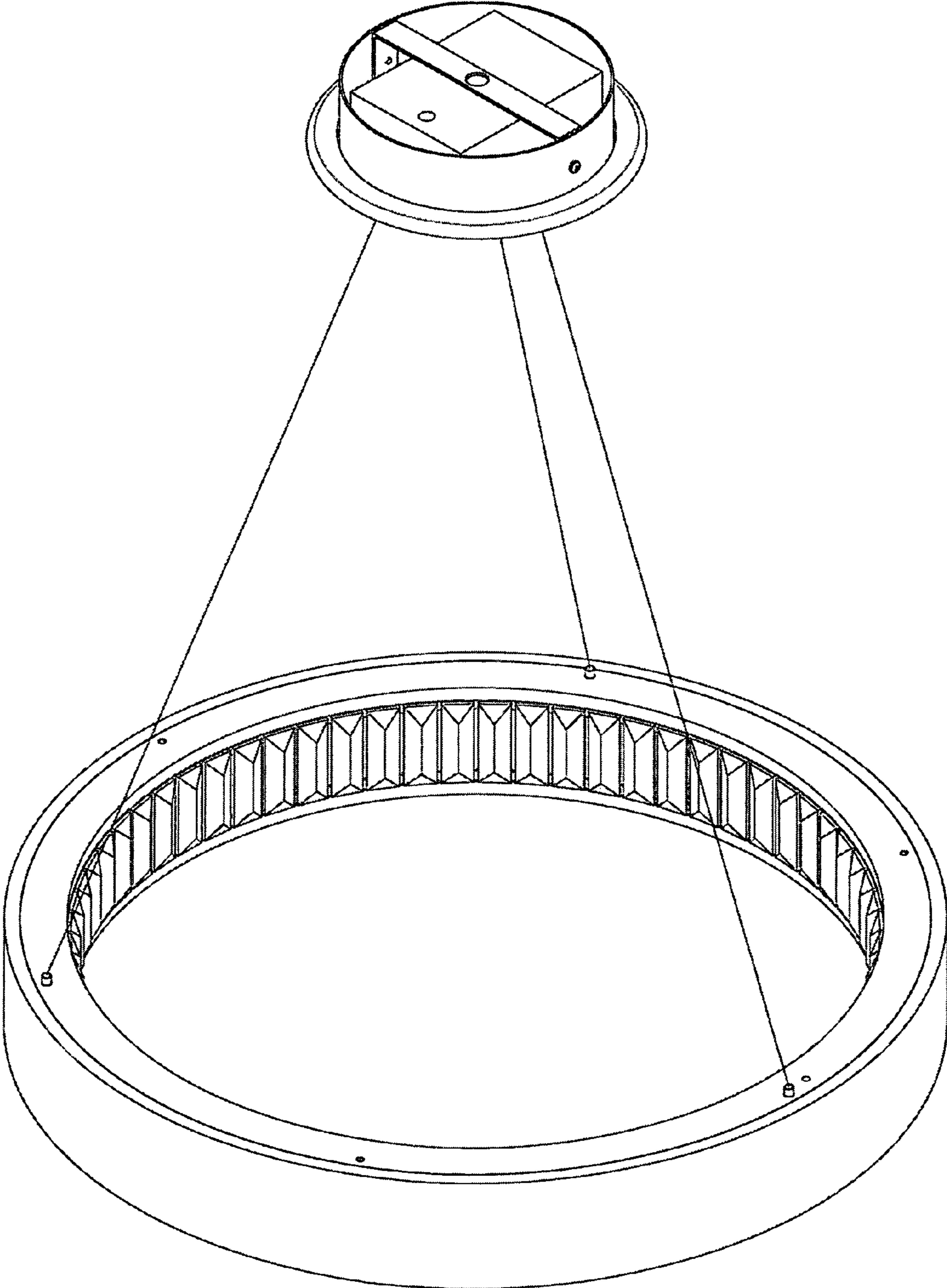


FIG. 1

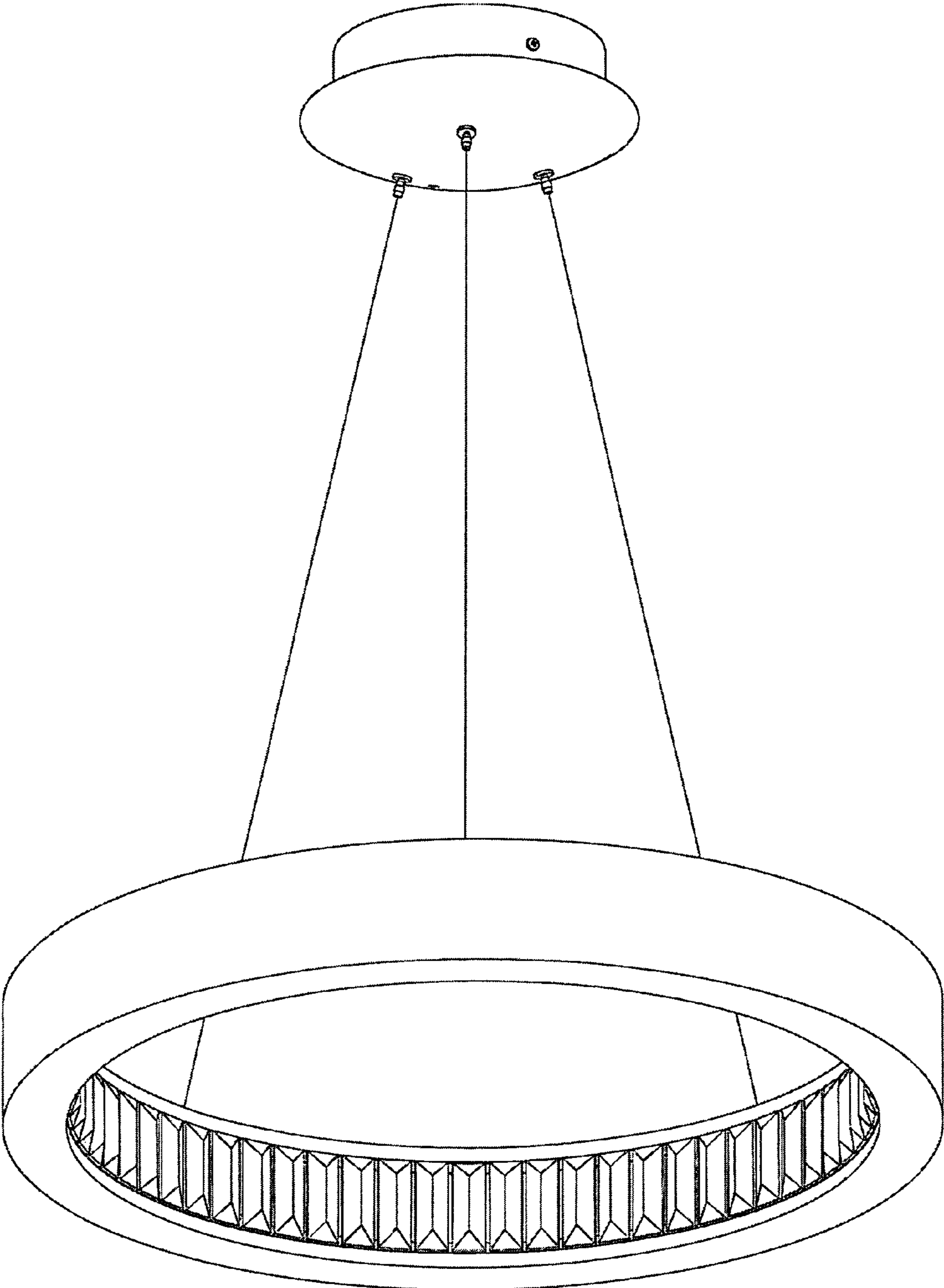


FIG. 2

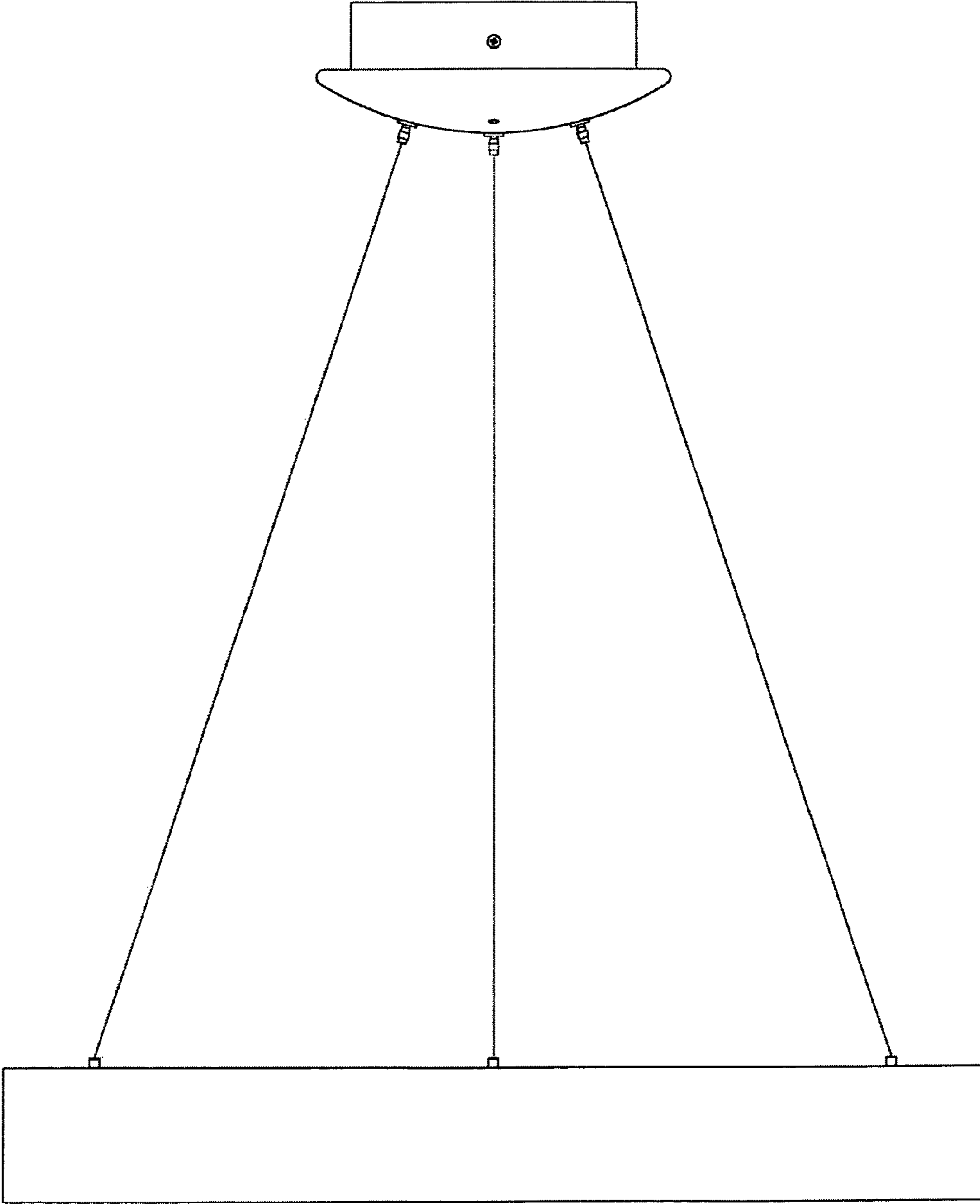


FIG. 3

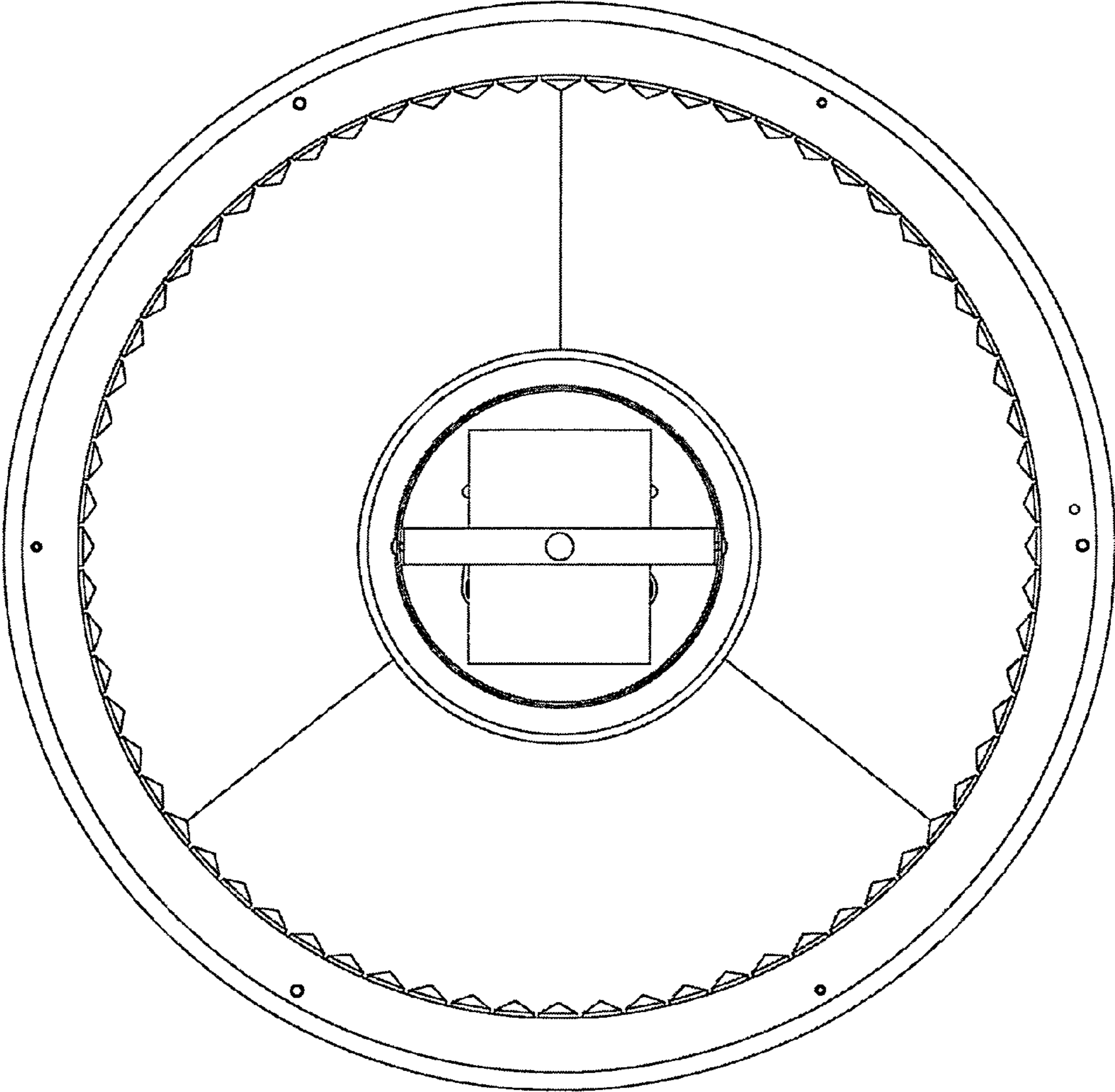


FIG. 4

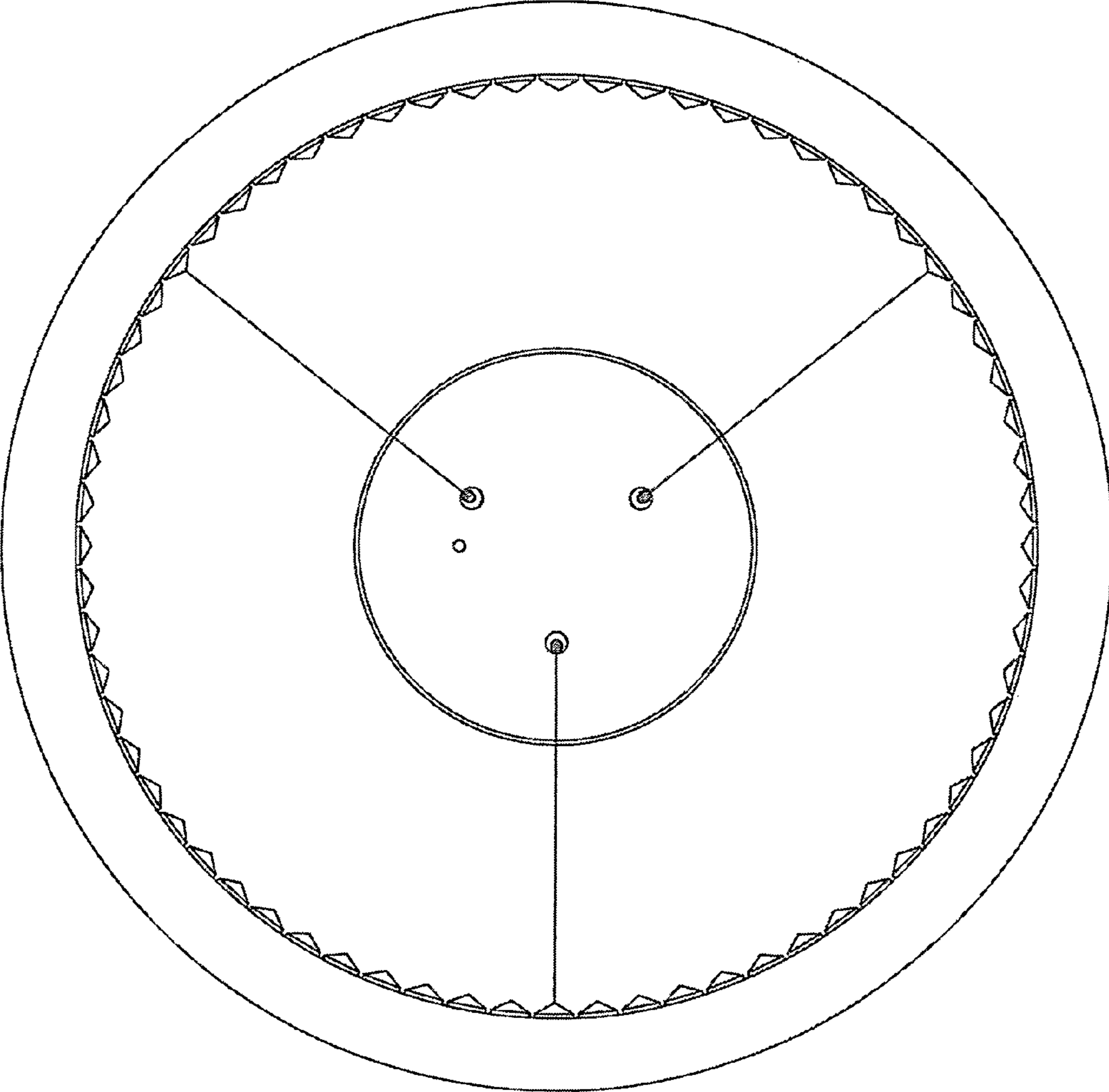


FIG. 5