



US00D698981S

(12) **United States Design Patent**
Eberle

(10) **Patent No.:** **US D698,981 S**

(45) **Date of Patent:** **** Feb. 4, 2014**

(54) **LIGHTING FIXTURE**

(71) Applicant: **Zumtobel Lighting GmbH**, Dornbirn (AT)

(72) Inventor: **Daniel Eberle**, Dornbirn (AT)

(73) Assignee: **Ledon Lighting GmbH**, Dornbirn (AT)

(**) Term: **14 Years**

(21) Appl. No.: **29/443,409**

(22) Filed: **Jan. 17, 2013**

(30) **Foreign Application Priority Data**

Jul. 17, 2012 (EM) 001 335 160

(51) **LOC (10) Cl.** **26-03**

(52) **U.S. Cl.**
USPC **D26/89**

(58) **Field of Classification Search**
USPC D26/1, 24, 72, 74, 80, 83, 85, 86, 89,
D26/91, 118, 120, 124, 128, 131, 135;
362/101, 133, 147, 267, 453-456, 507
See application file for complete search history.

(56) **References Cited**

U.S. PATENT DOCUMENTS

D28,455 S * 4/1898 Baker D15/144
D60,004 S * 12/1921 Adam D26/135
D190,387 S * 5/1961 Wince D26/89
D213,464 S * 3/1969 Meyer D26/89

D284,109 S * 6/1986 Seal, Jr. D26/72
D309,953 S * 8/1990 Chien D26/67
D375,808 S * 11/1996 Fang D26/26
D490,183 S * 5/2004 Benensohn D26/89
D501,573 S * 2/2005 Benensohn D26/89
D549,385 S * 8/2007 Lissoni D26/89
D592,348 S * 5/2009 Trott et al. D26/74
D607,600 S * 1/2010 Keith D26/85
D633,644 S * 3/2011 Sprengers D26/89
D648,060 S * 11/2011 Yamamoto et al. D26/120
D671,259 S * 11/2012 Chen D26/135

* cited by examiner

Primary Examiner — Clare E Heflin

(74) *Attorney, Agent, or Firm* — Marshall, Gerstein & Borun LLP

(57) **CLAIM**

The ornamental design for a lighting fixture, as shown and described.

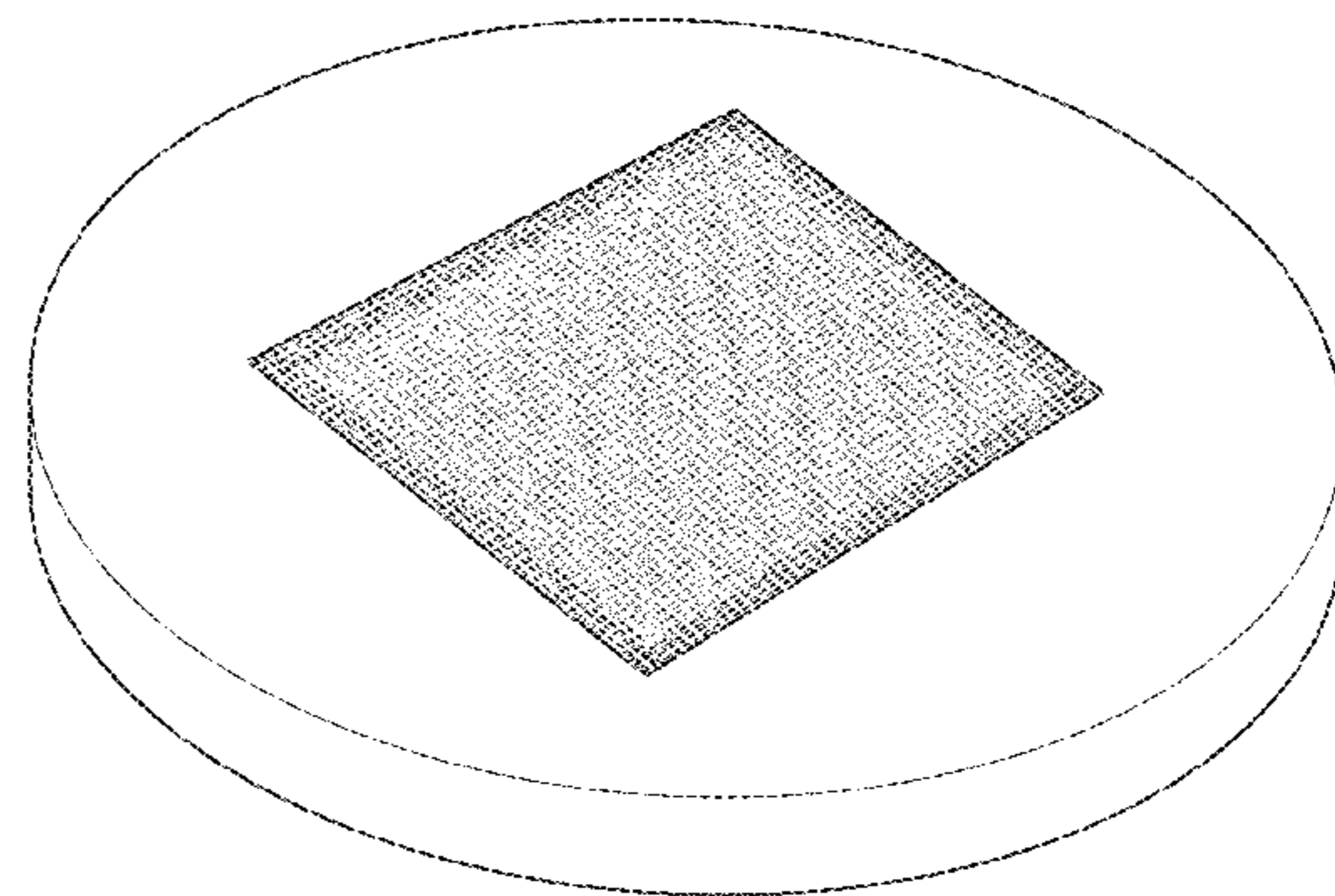
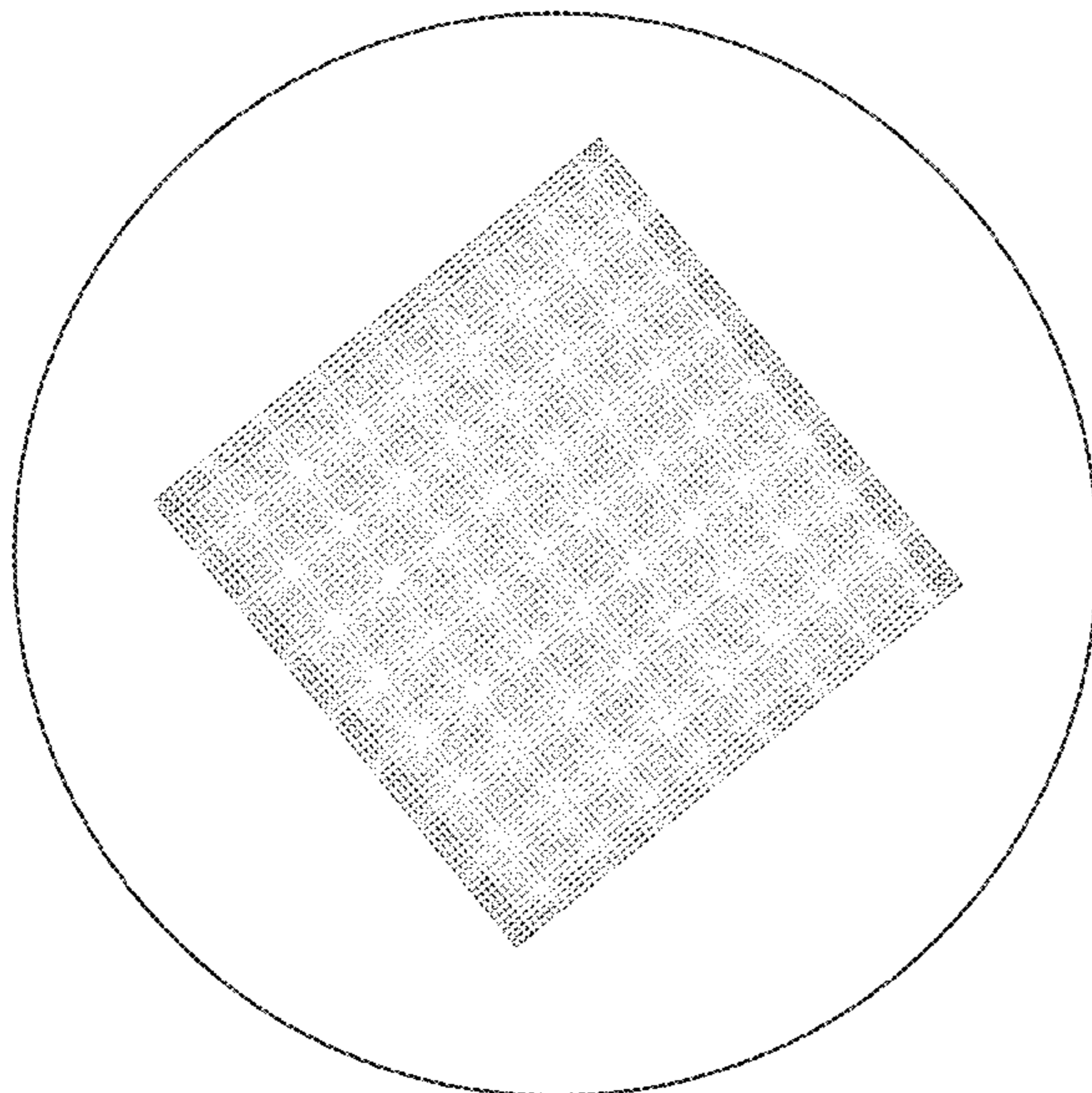
DESCRIPTION

FIG. 1 is a front view of a lighting fixture that has the design. FIG. 2 is a front view with the lighting fixture illuminated, illustrating the ornamental effect.

FIGS. 3 and 4 are front and side orthogonal views of the lighting fixture, illuminated and unilluminated; and, FIG. 5 is a back and side view orthogonal view of the lighting fixture.

The broken lines in FIG. 5 represent portions on the back of the lighting fixture that form no part of the claimed design.

1 Claim, 5 Drawing Sheets



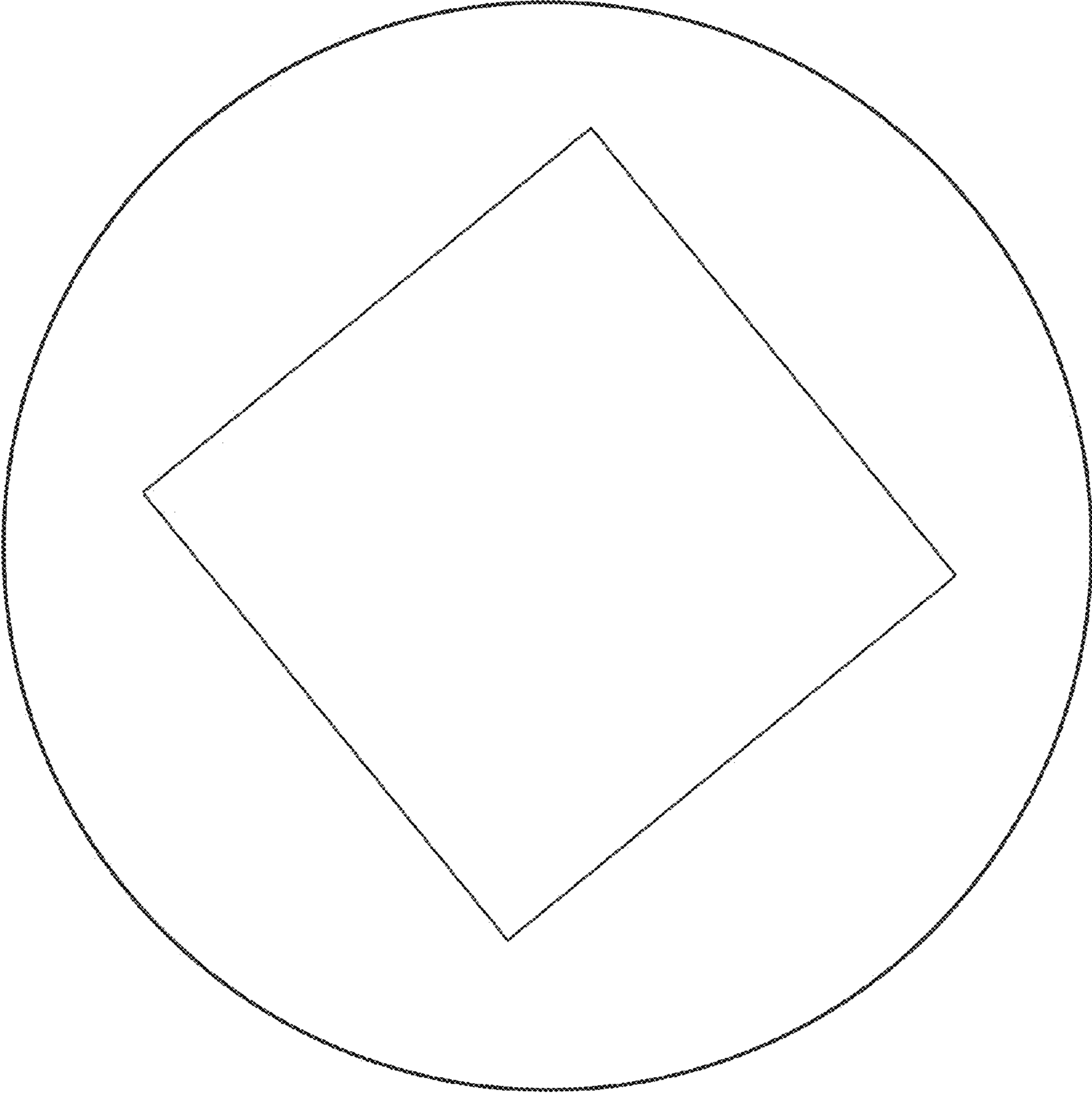


FIG. 1

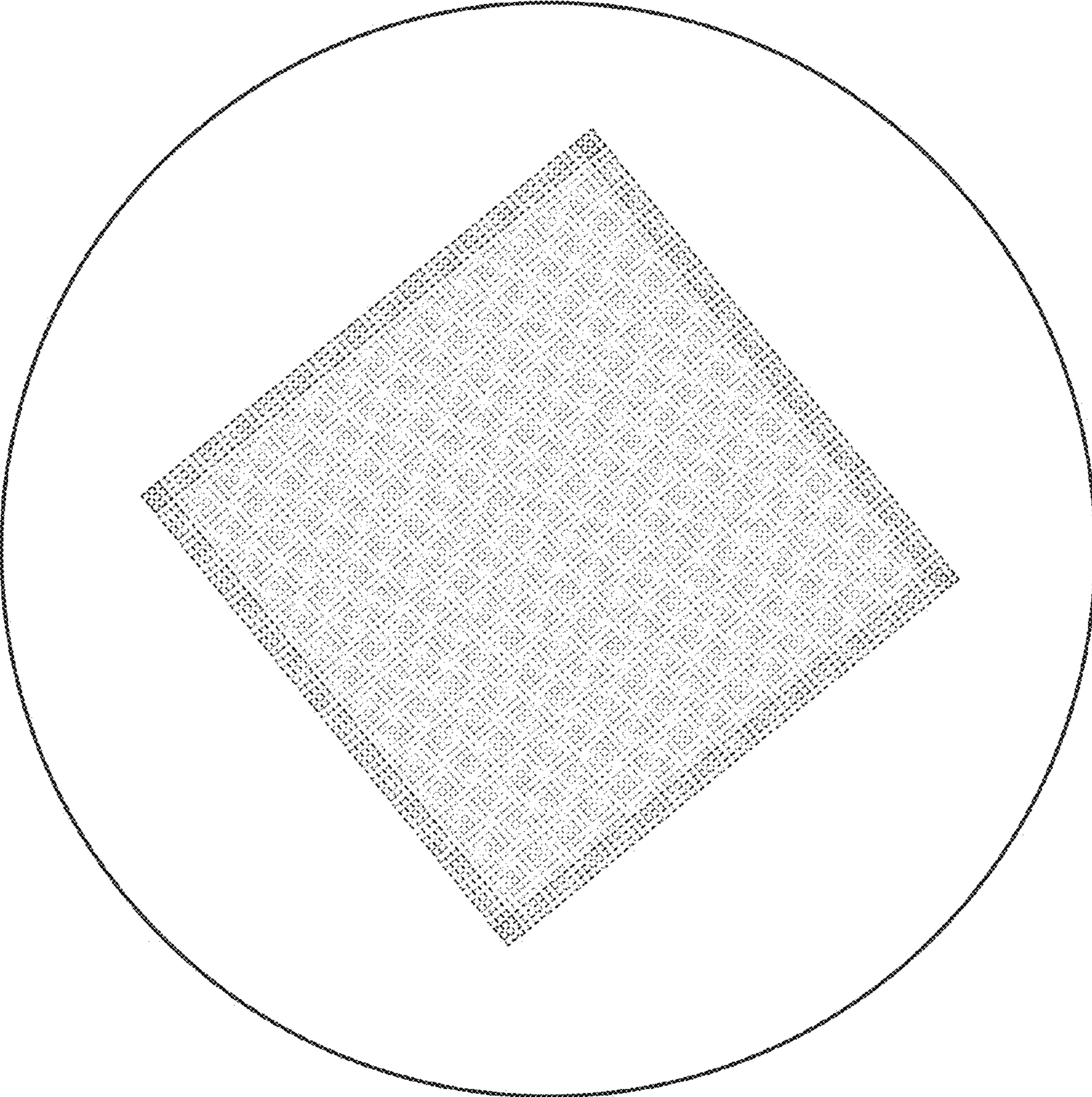


FIG. 2

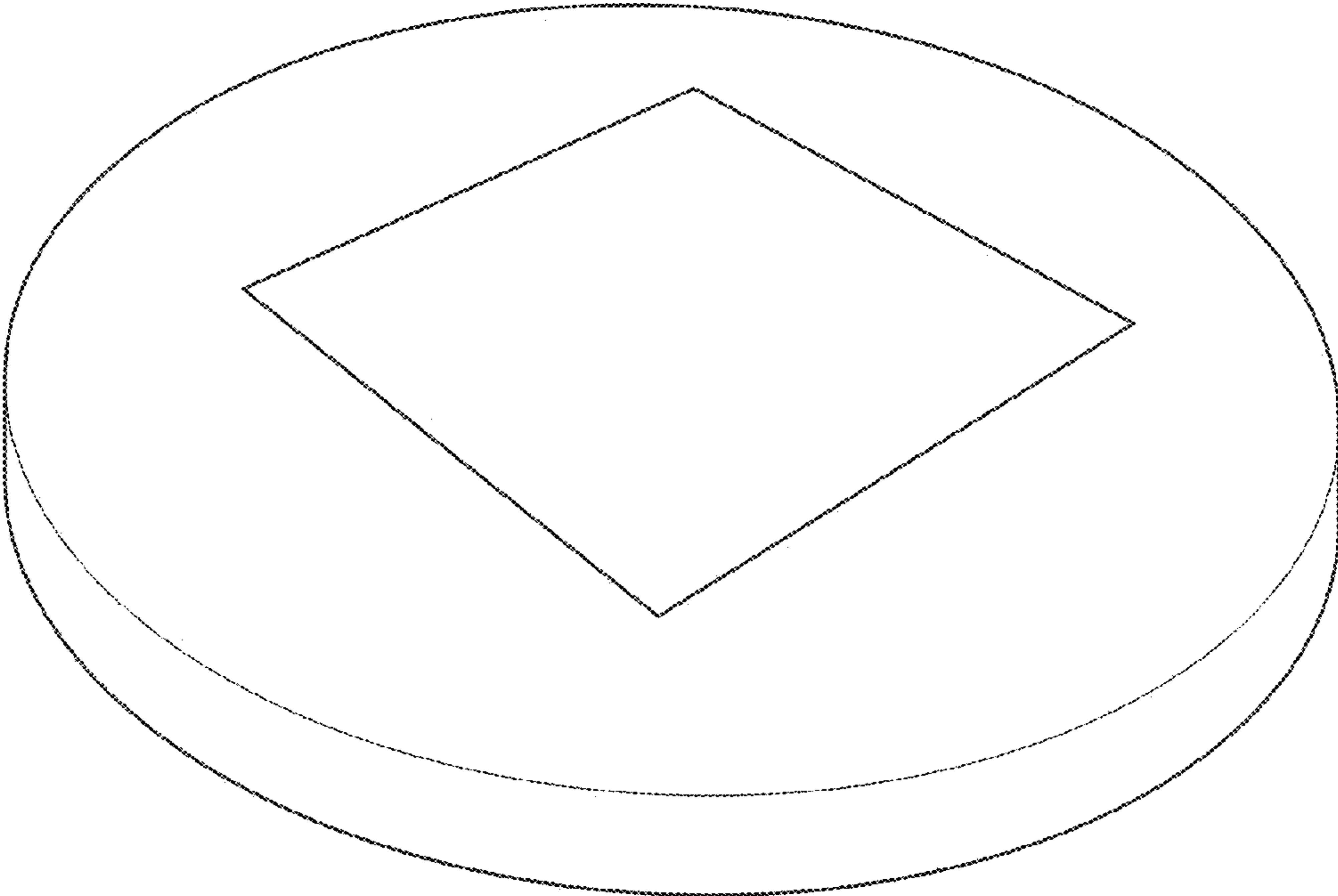


FIG. 3

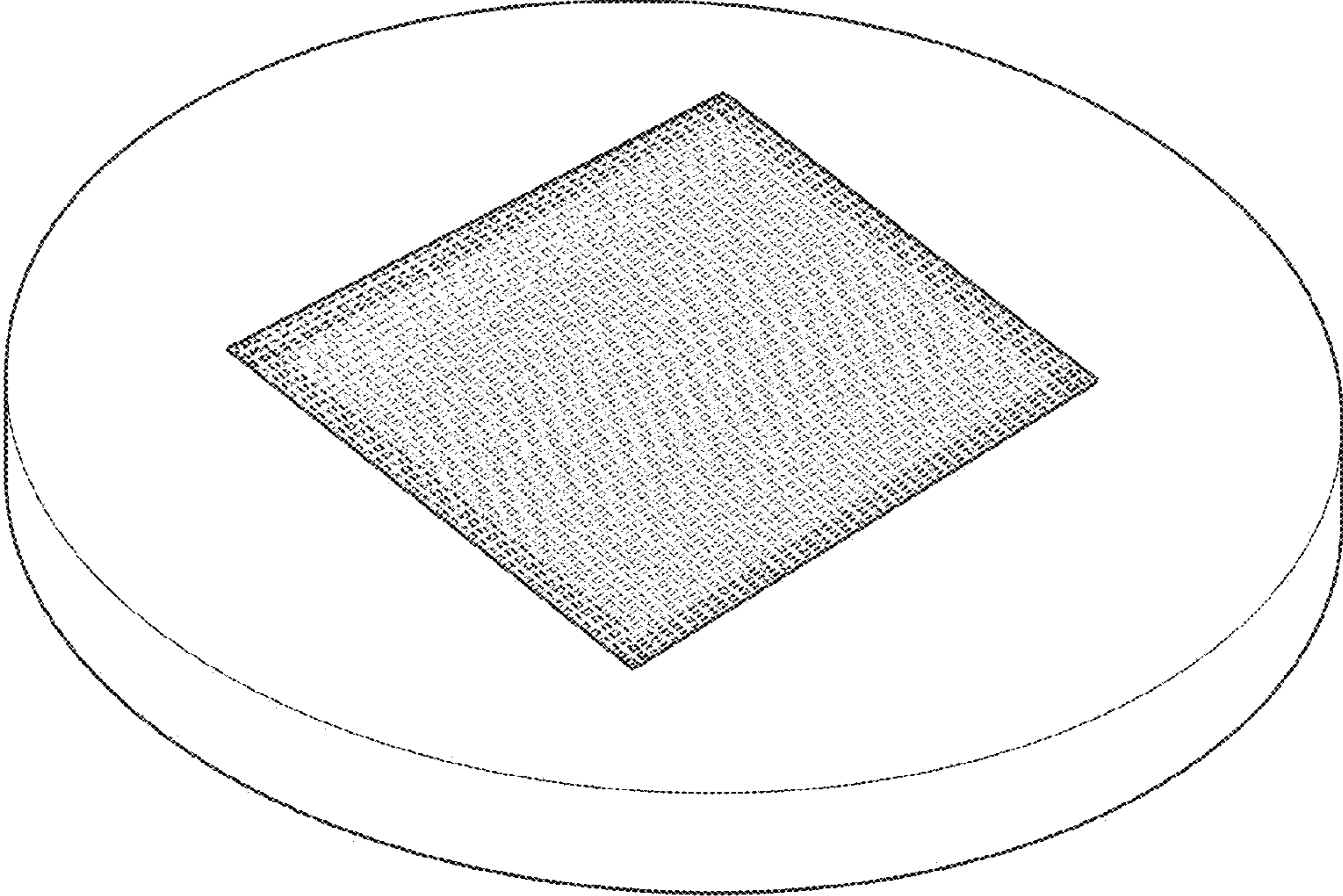


FIG. 4

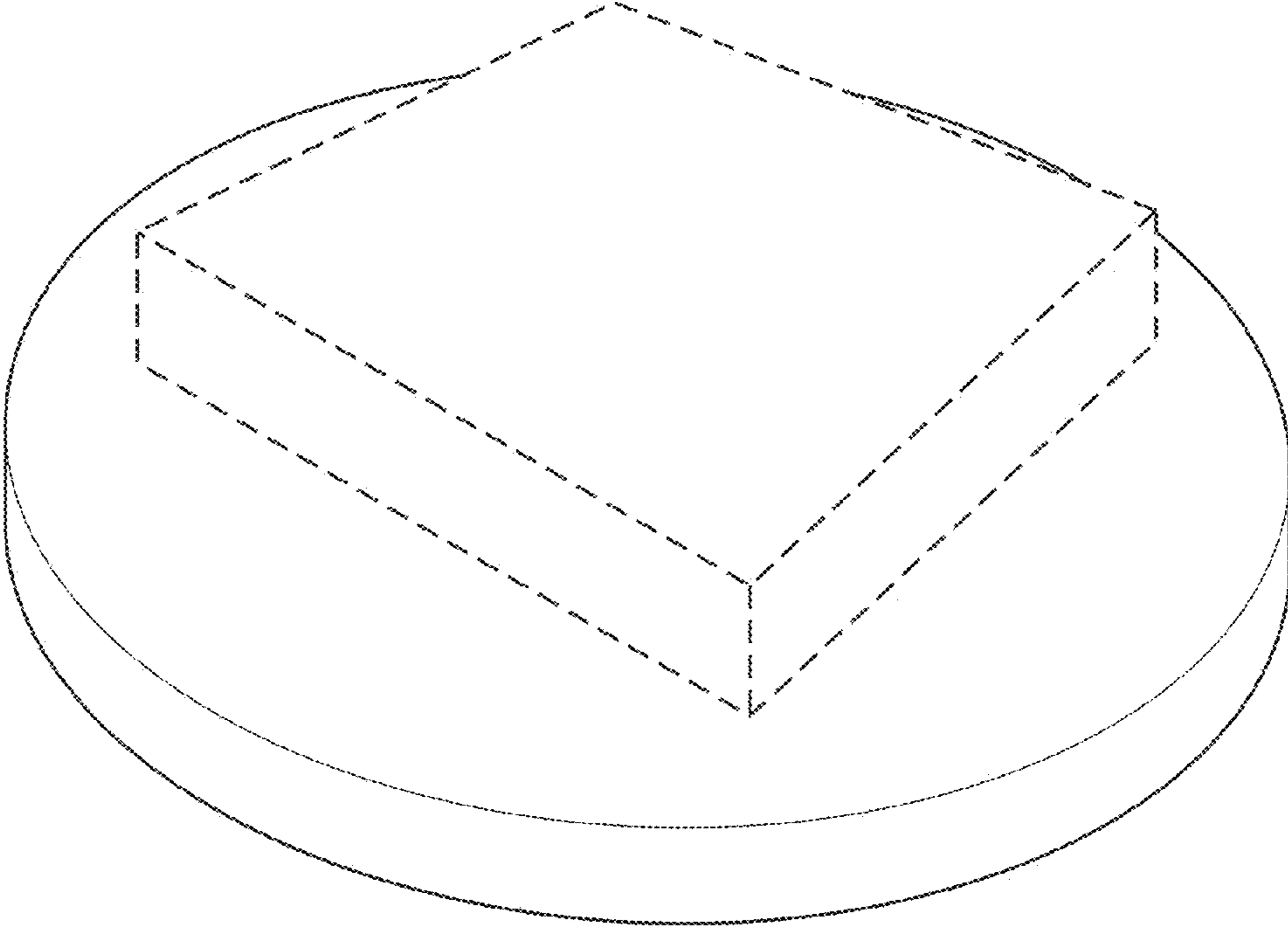


FIG. 5