

US00D698979S

(12) **United States Design Patent**
Scatena

(10) **Patent No.:** **US D698,979 S**
(45) **Date of Patent:** **** Feb. 4, 2014**

(54) **WALL LIGHT**

(71) Applicant: **Emme Pi Light—Masiero S.r.l.**, Casale sul Sile (IT)

(72) Inventor: **Francesco Scatena**, Vicopisano (IT)

(73) Assignee: **Emme Pi Light—Masiero S.r.l.**, Casale sul Sile (IT)

(**) Term: **14 Years**

(21) Appl. No.: **29/437,403**

(22) Filed: **Nov. 15, 2012**

(51) **LOC (10) Cl.** **26-03**

(52) **U.S. Cl.**
USPC **D26/85**

(58) **Field of Classification Search**
USPC D26/72, 80–85, 88–91, 118, 120;
362/147, 404–408
See application file for complete search history.

(56) **References Cited**

U.S. PATENT DOCUMENTS

D44,564 S * 8/1913 Hamm D26/128
D148,036 S * 12/1947 Robinson D26/85

D170,188 S * 8/1953 Flood D26/85
3,007,038 A * 10/1961 Anisfield 362/243
D323,906 S * 2/1992 Miranda et al. D26/85
D346,869 S * 5/1994 Houssian D26/85
D361,639 S * 8/1995 Christopoulos D26/85
D390,999 S * 2/1998 Gaskins et al. D26/85
D404,163 S * 1/1999 Littman D26/85
D464,160 S * 10/2002 Ludwig D26/85
D469,910 S * 2/2003 St-Pierre D26/85
D565,233 S * 3/2008 Ladewig et al. D26/85
D629,955 S * 12/2010 Compton D26/85
D678,588 S * 3/2013 Fang D26/80

* cited by examiner

Primary Examiner — Clare E Heflin

(74) *Attorney, Agent, or Firm* — Themis Law

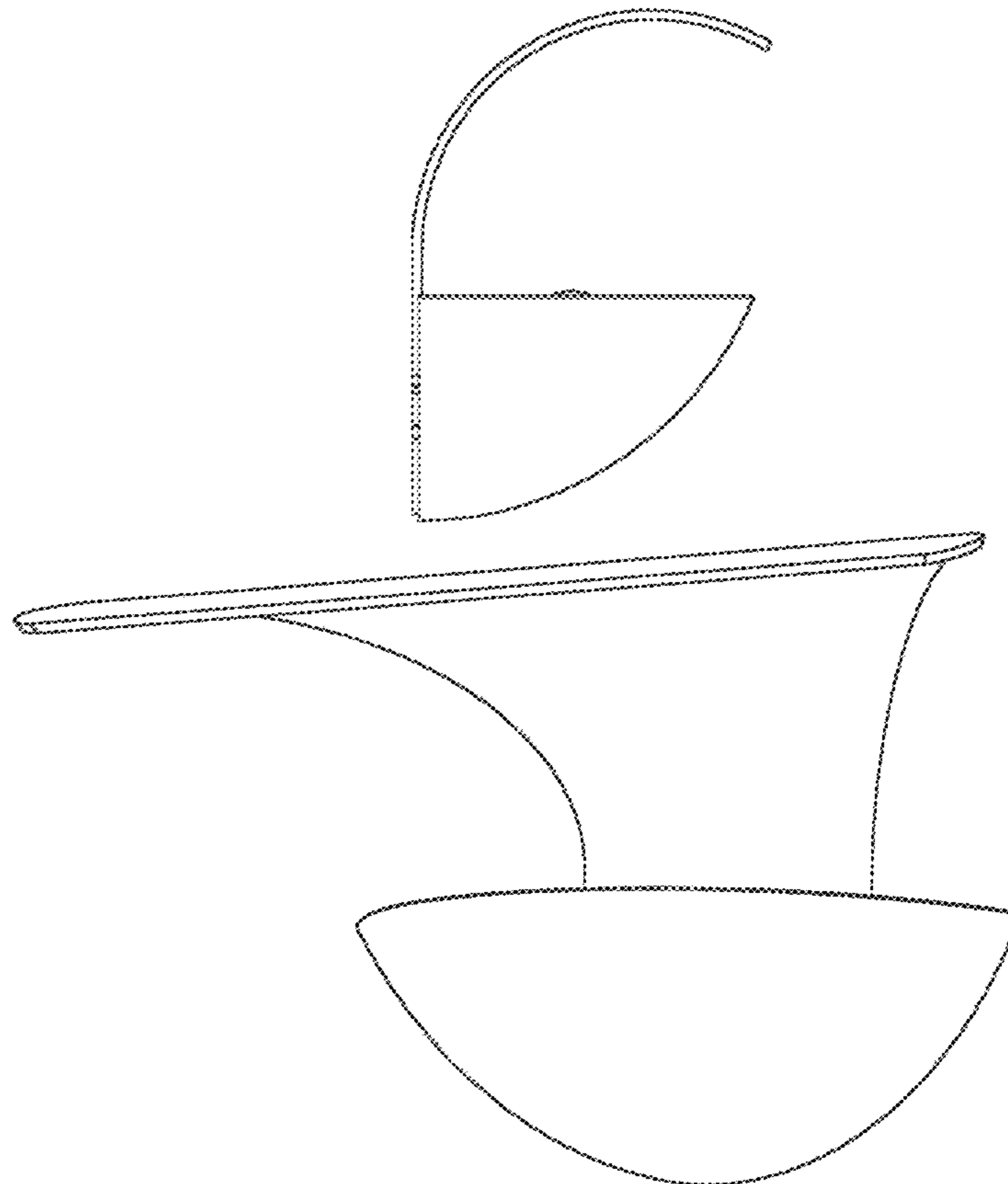
(57) **CLAIM**

The ornamental design for a wall light, as shown.

DESCRIPTION

FIG. 1 is a bottom plan view of a wall light showing my new design;
FIG. 2 is a top plan view thereof;
FIG. 3 is a front elevational view thereof;
FIG. 4 is a left side elevational view thereof; and,
FIG. 5 is a perspective view thereof.

1 Claim, 5 Drawing Sheets



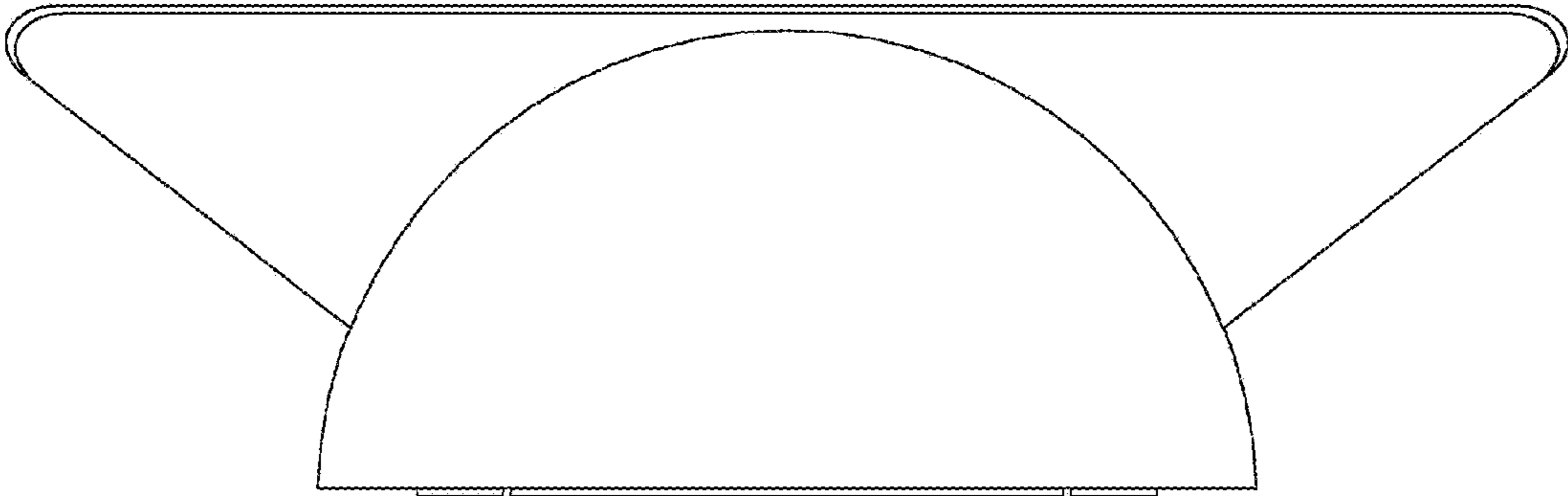


FIG. 1

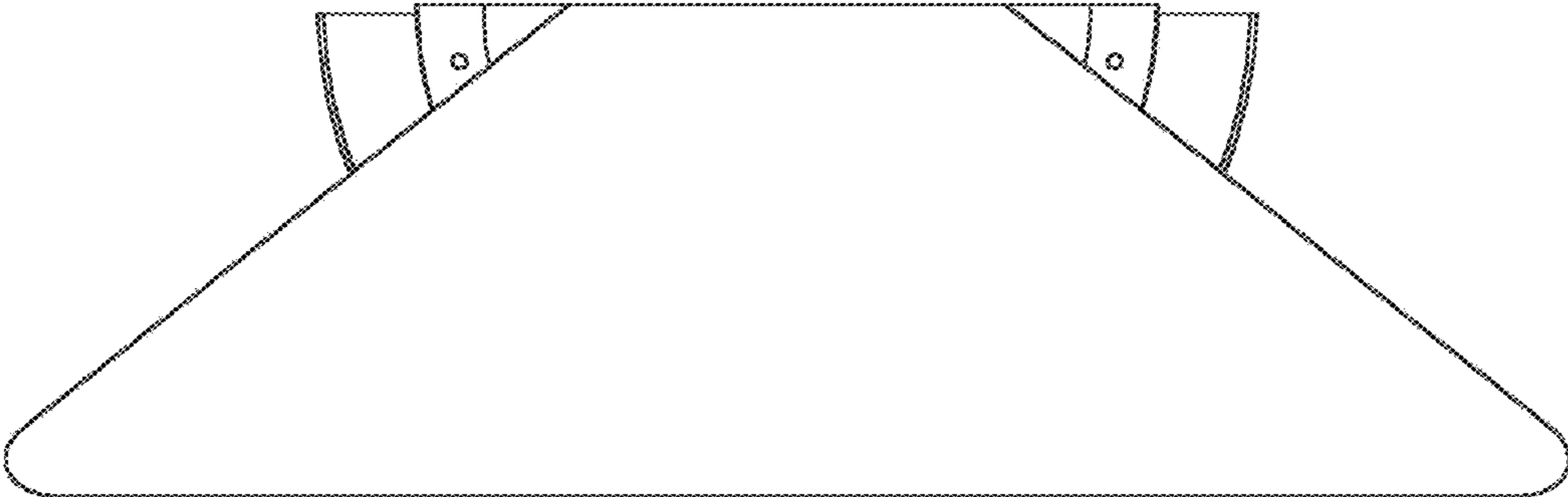


FIG. 2

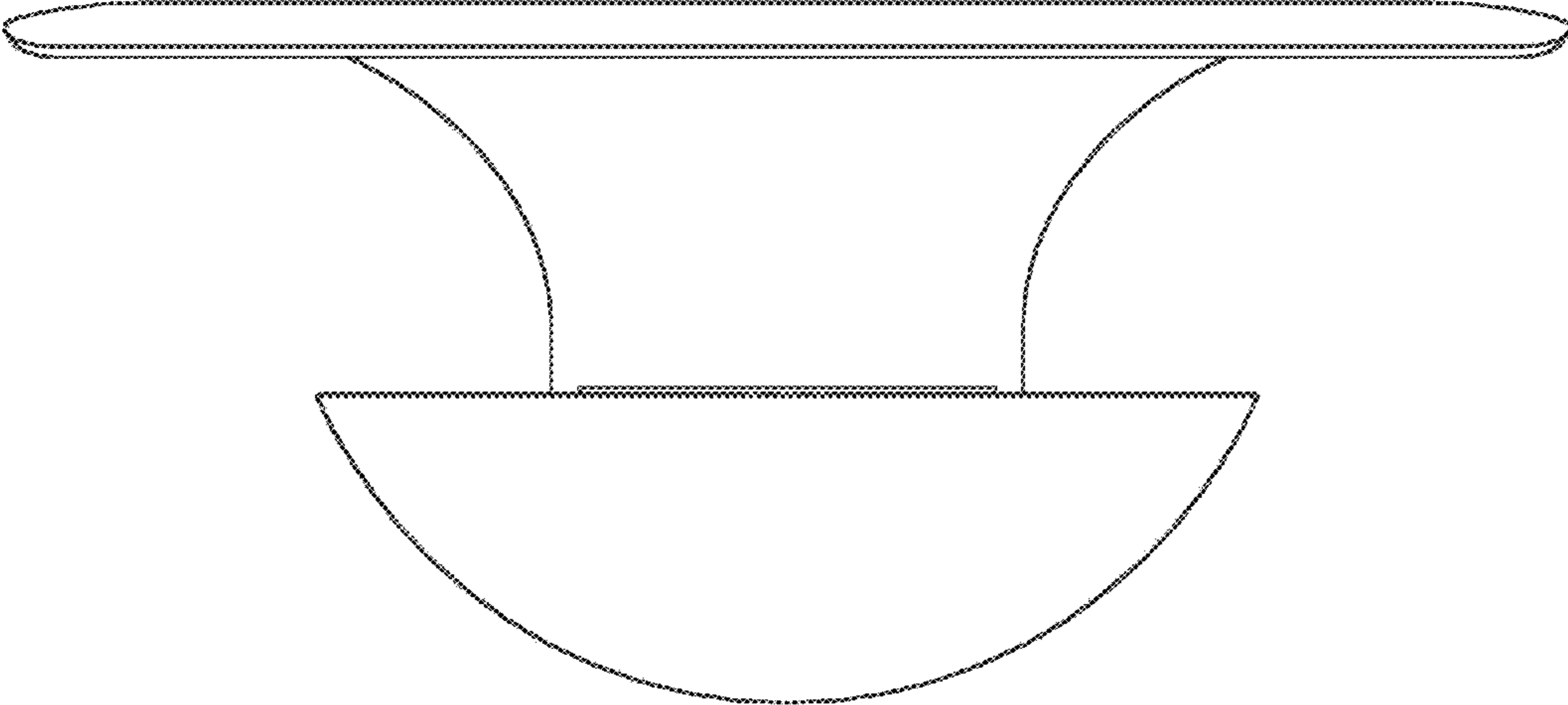


FIG. 3

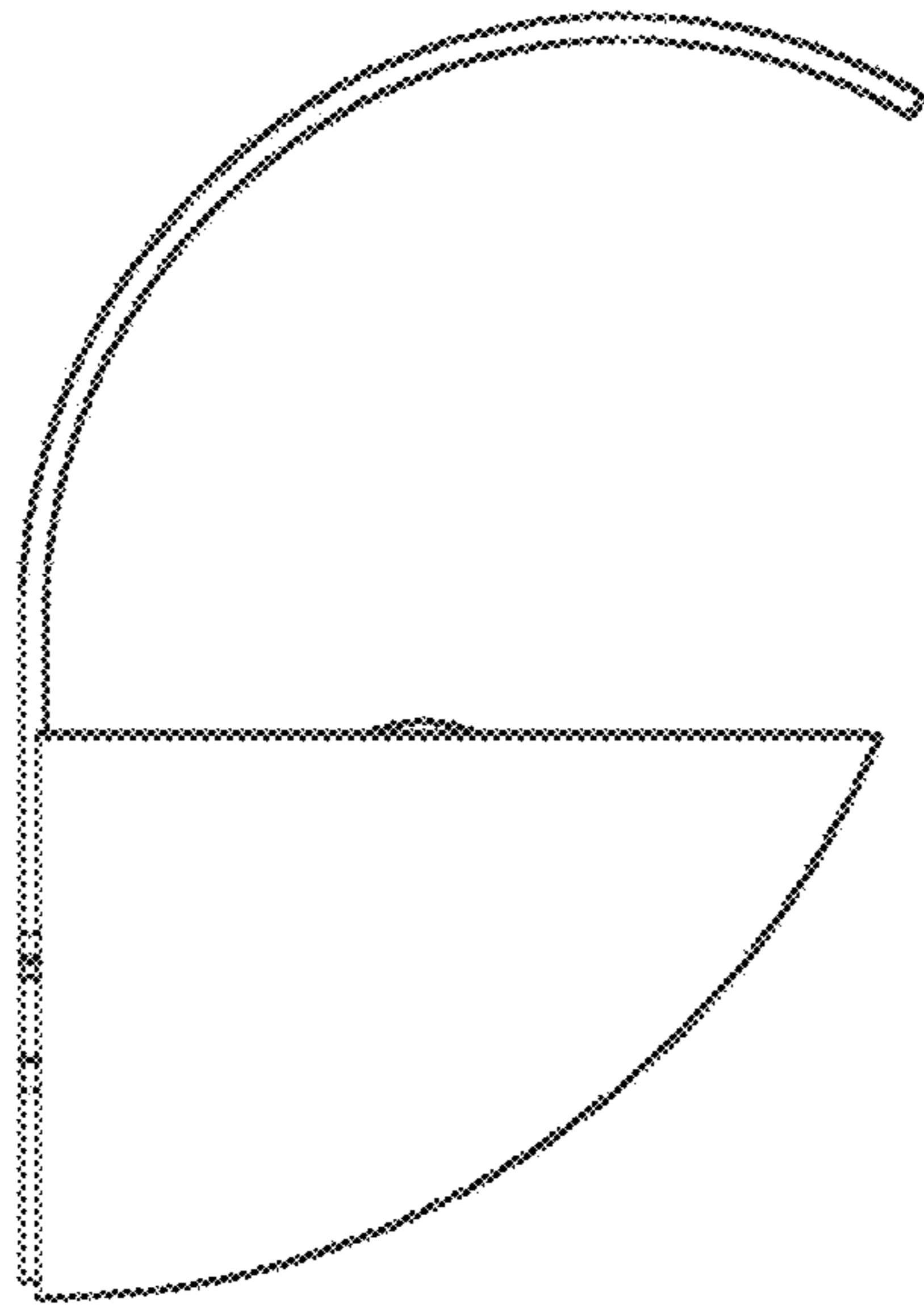


FIG. 4

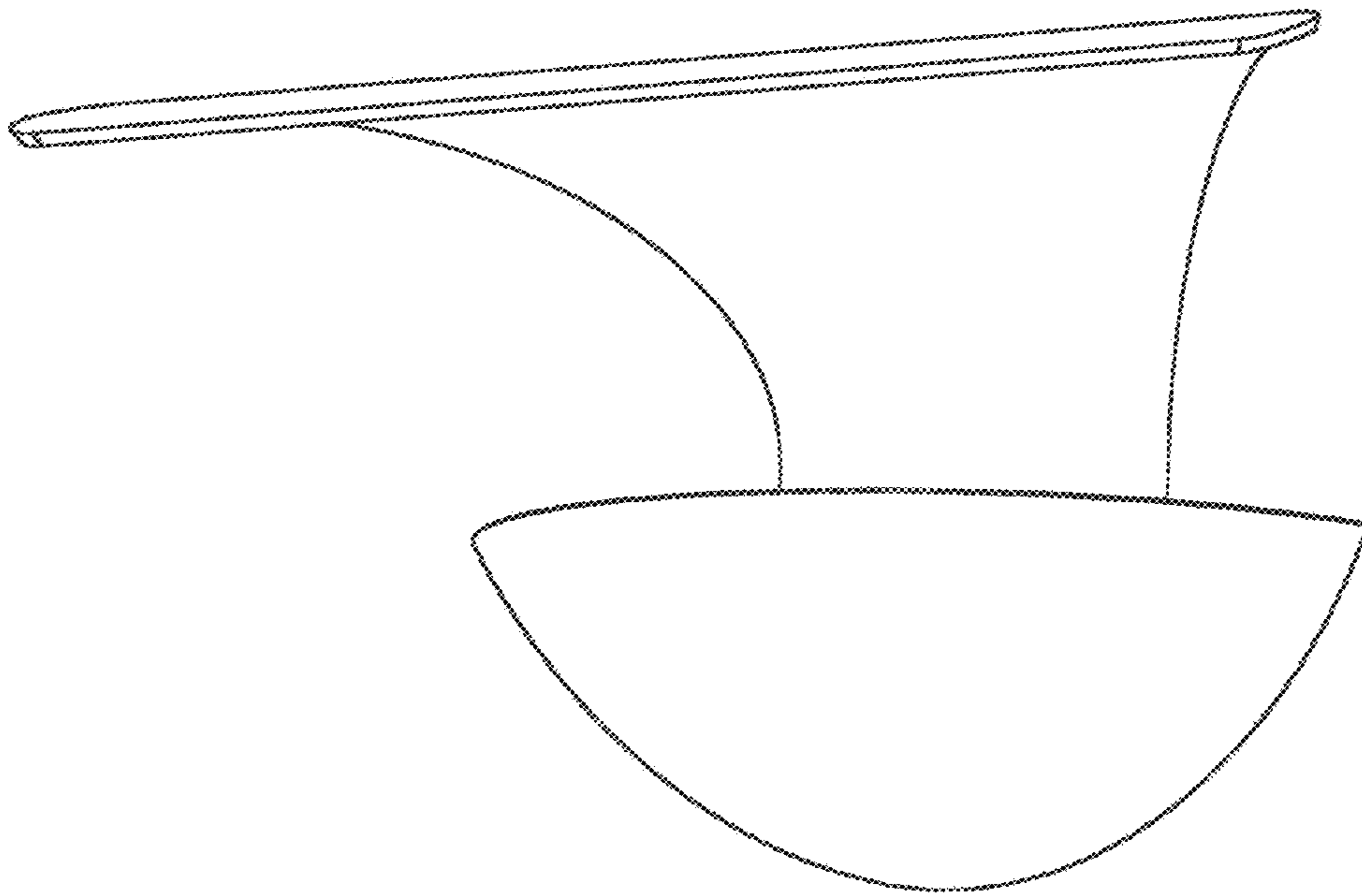


FIG. 5