



US00D698978S

(12) **United States Design Patent**
Bryant

(10) **Patent No.:** **US D698,978 S**

(45) **Date of Patent:** **** Feb. 4, 2014**

(54) **WALL PACK LIGHT FIXTURE WITH LENS**

(71) Applicant: **Christopher Michael Bryant**, Social Circle, GA (US)

(72) Inventor: **Christopher Michael Bryant**, Social Circle, GA (US)

(73) Assignee: **Cooper Technologies Company**, Houston, TX (US)

(**) Term: **14 Years**

(21) Appl. No.: **29/436,981**

(22) Filed: **Nov. 12, 2012**

(51) **LOC (10) Cl.** **26-03**

(52) **U.S. Cl.**
USPC **D26/85**

(58) **Field of Classification Search**
USPC D26/72, 85-87, 92, 118; 362/147, 432
See application file for complete search history.

(56) **References Cited**

U.S. PATENT DOCUMENTS

2,732,484 A *	1/1956	Lipscomb	362/218
D203,060 S *	11/1965	Schaefer	D26/76
D228,667 S	10/1973	Anderson, Jr.		
D248,184 S	6/1978	Roberts		
D380,853 S	7/1997	Johnson		
D415,305 S	10/1999	Putman		
D465,050 S	10/2002	Crelin		
D527,134 S	8/2006	Bagen		
D553,789 S *	10/2007	Akinrele et al.	D26/118
D562,491 S	2/2008	Dicola		
D579,141 S	10/2008	Guercio		
D590,088 S	4/2009	Dworschak		
D590,983 S	4/2009	Sabernig		
D595,447 S	6/2009	Purcell		
D608,040 S	1/2010	Guercio		
D609,387 S	2/2010	Compton		
D610,296 S	2/2010	Boissevain		

D612,975 S	3/2010	Guercio et al.		
D617,491 S	6/2010	Dordoni		
D626,271 S *	10/2010	Verelst	D26/85
D634,873 S	3/2011	Guercio		
D634,878 S	3/2011	Guercio et al.		
D643,147 S *	8/2011	Guercio et al.	D26/118
D644,370 S	8/2011	Lickiss		
D647,662 S	10/2011	Vereist et al.		
D650,112 S	12/2011	Bryant		
D658,803 S *	5/2012	Maxik et al.	D26/87

OTHER PUBLICATIONS

Lighting Science; Wallpak ; product specification sheet; Nov. 2010.
Press Release, RAB Lighting, Oct. 12, 2010, RAB LPACK13 Makes the Switch to LED Even Easier.
Press Release, RAB Lighting, Feb. 9, 2010, RAB Lighting launches 20W LED Wallpack for out-door use.
Press Release, RAB Lighting, Dec. 23, 2009, RAB Lighting Introduces new LED Wallpack.

* cited by examiner

Primary Examiner — Clare E Heflin

(74) *Attorney, Agent, or Firm* — King & Spalding LLP

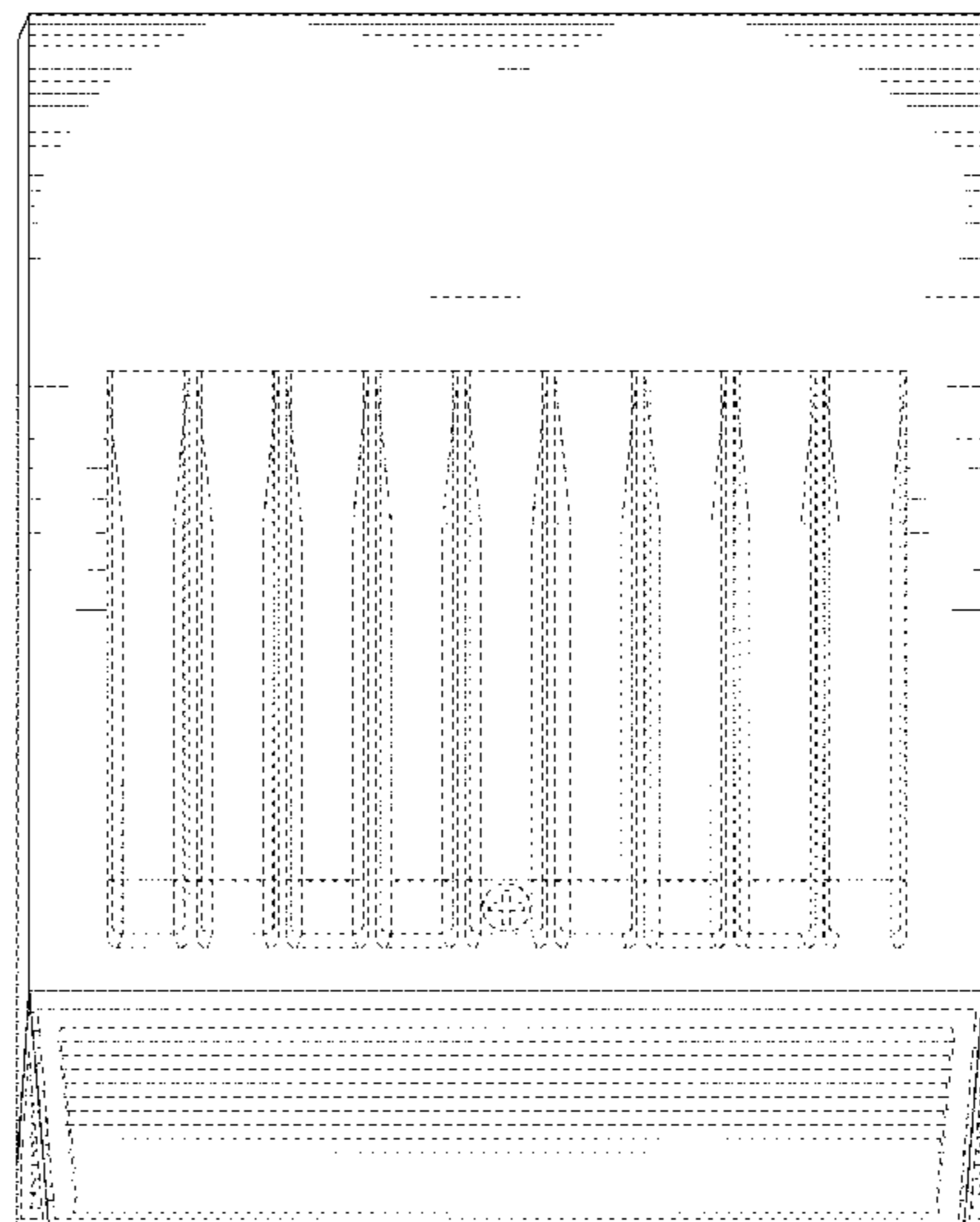
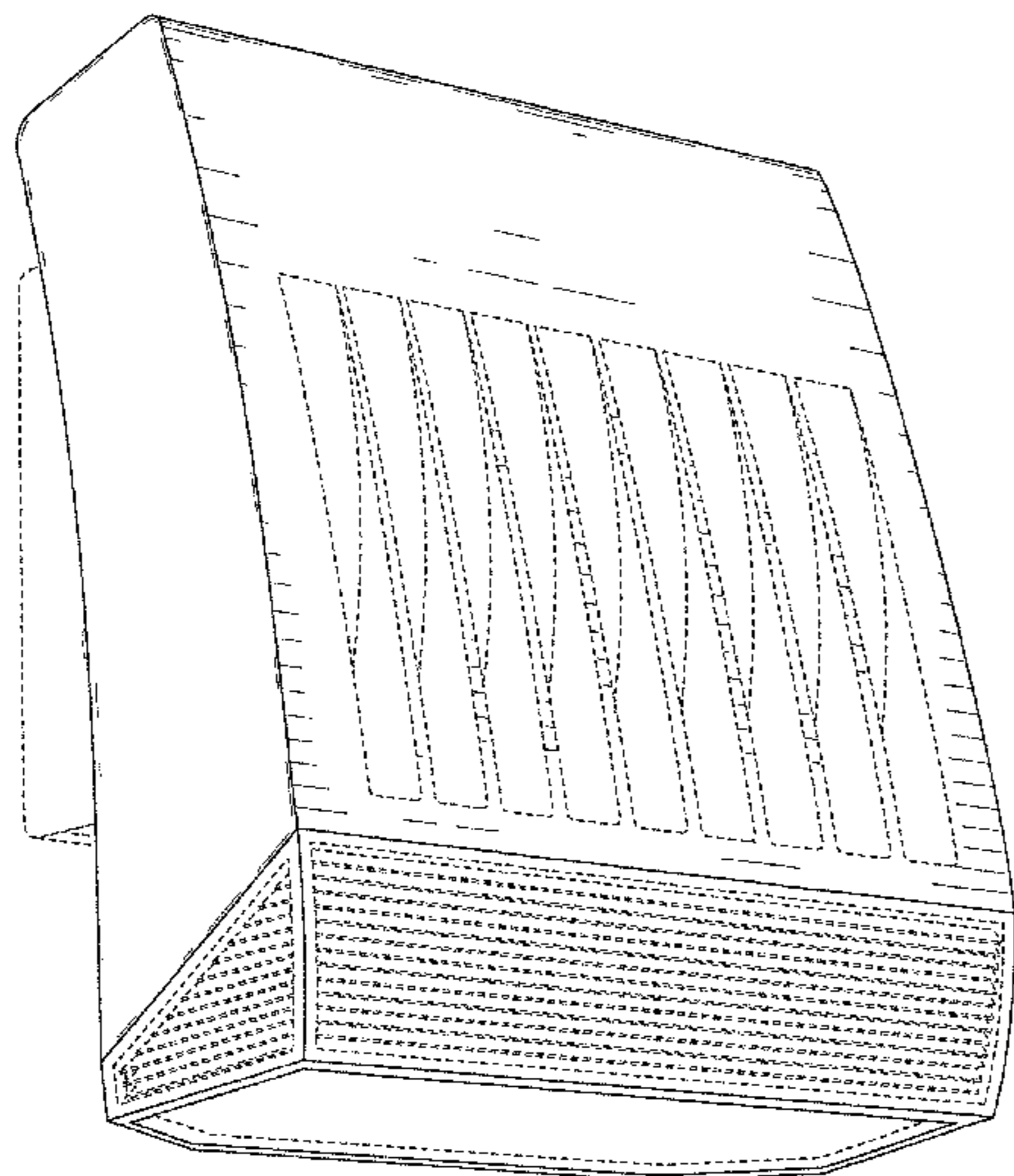
(57) **CLAIM**

The ornamental design for a wall pack light fixture with lens, as shown and described.

DESCRIPTION

FIG. 1 is a perspective view of a wall pack light fixture with lens, showing my new design;
FIG. 2 is a front view thereof;
FIG. 3 is a left side view thereof;
FIG. 4 is a right side view thereof;
FIG. 5 is a top plan view thereof;
FIG. 6 is a bottom plan view thereof; and,
FIG. 7 is a rear perspective view thereof.
The broken lines shown represent unclaimed subject matter and form no part of the claimed design.

1 Claim, 6 Drawing Sheets



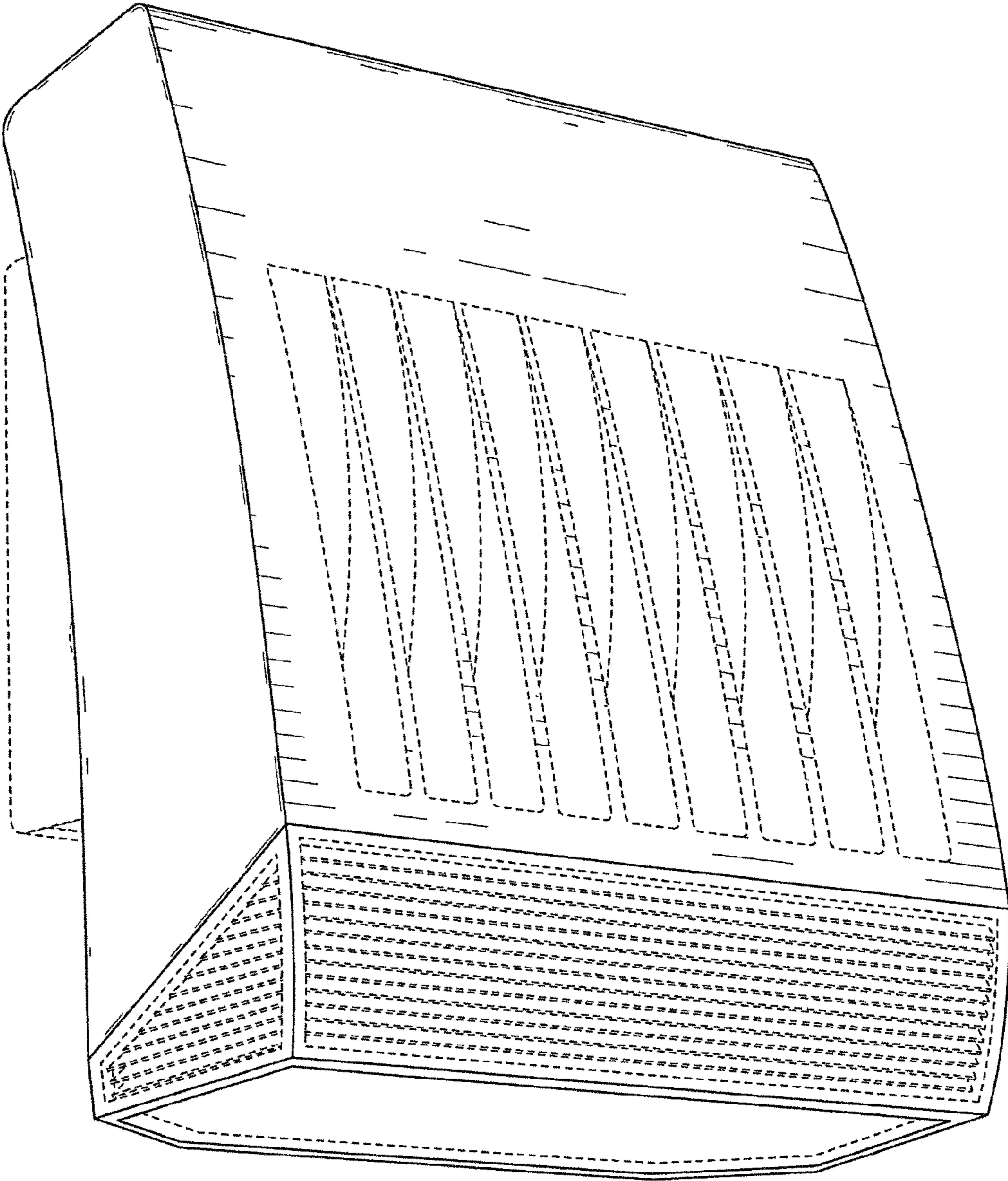


FIG. 1

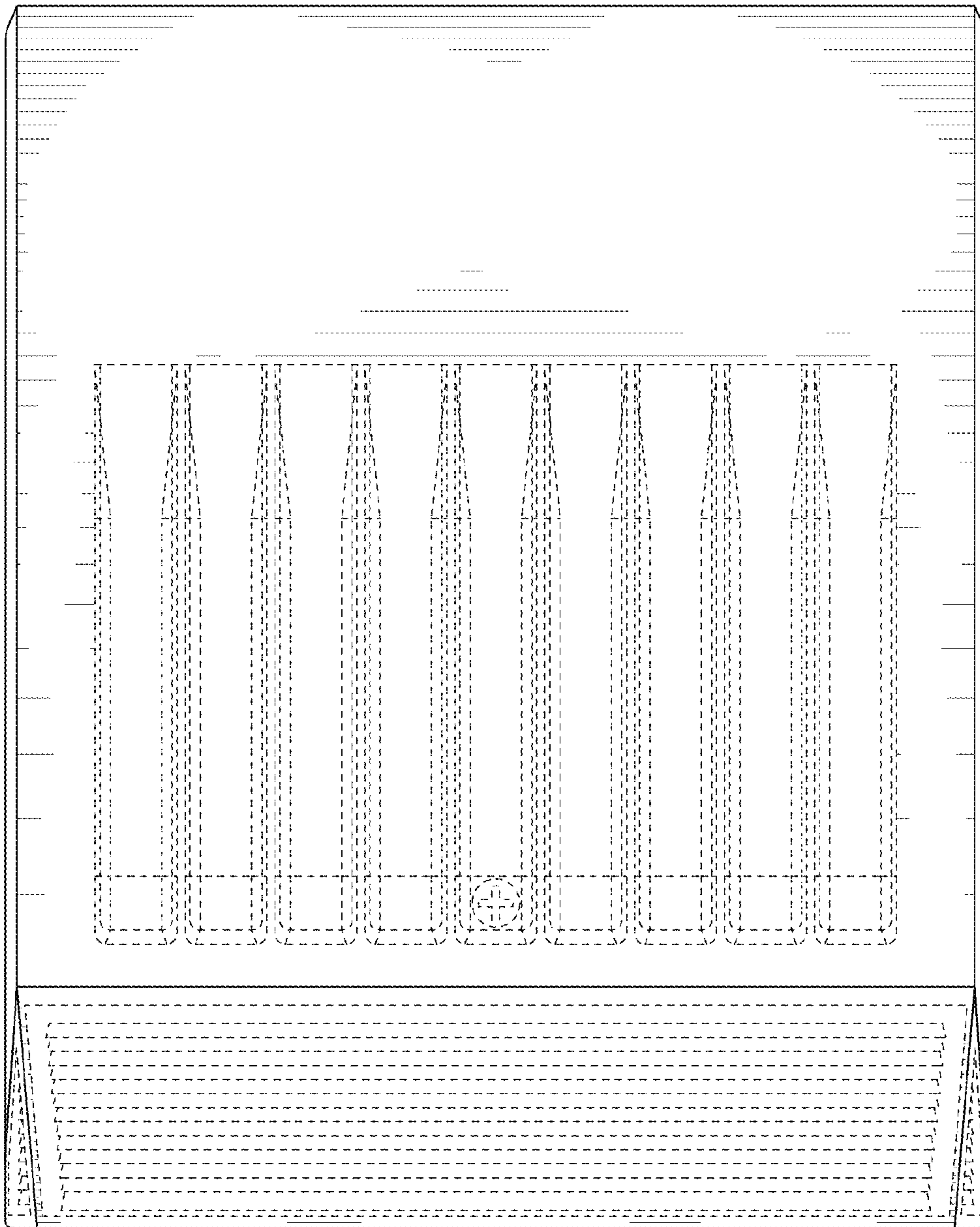


FIG. 2

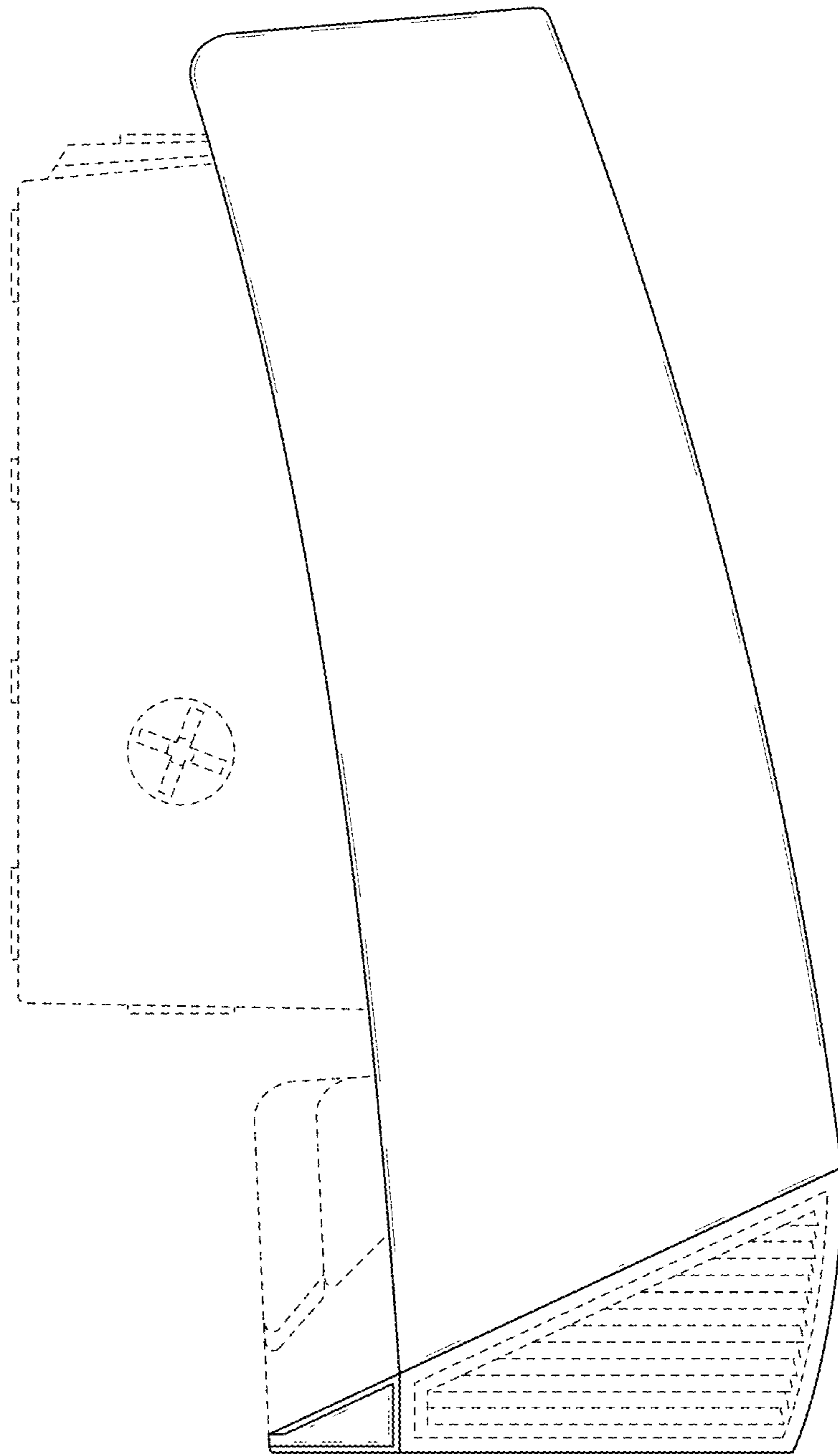


FIG. 3

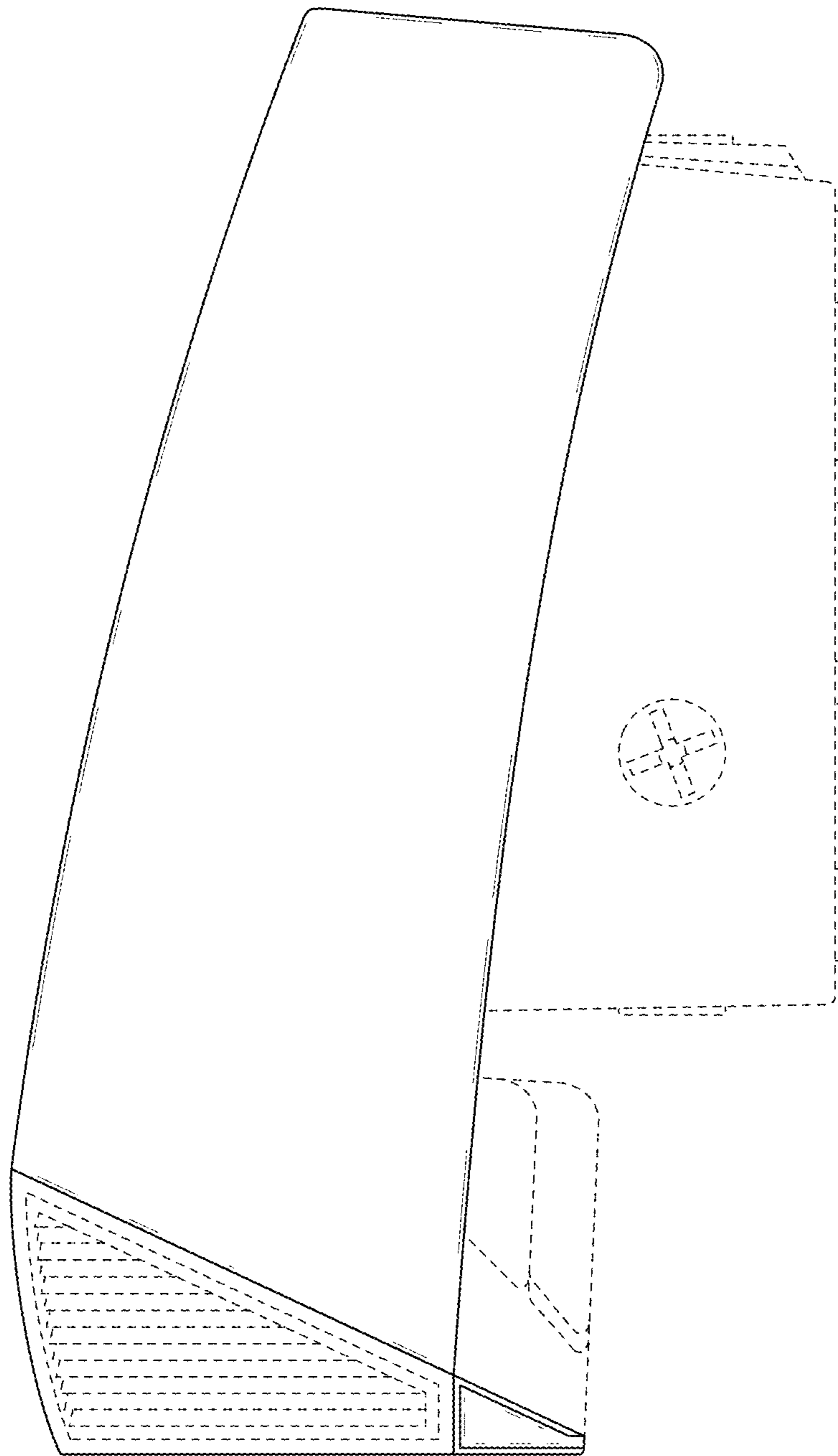


FIG. 4

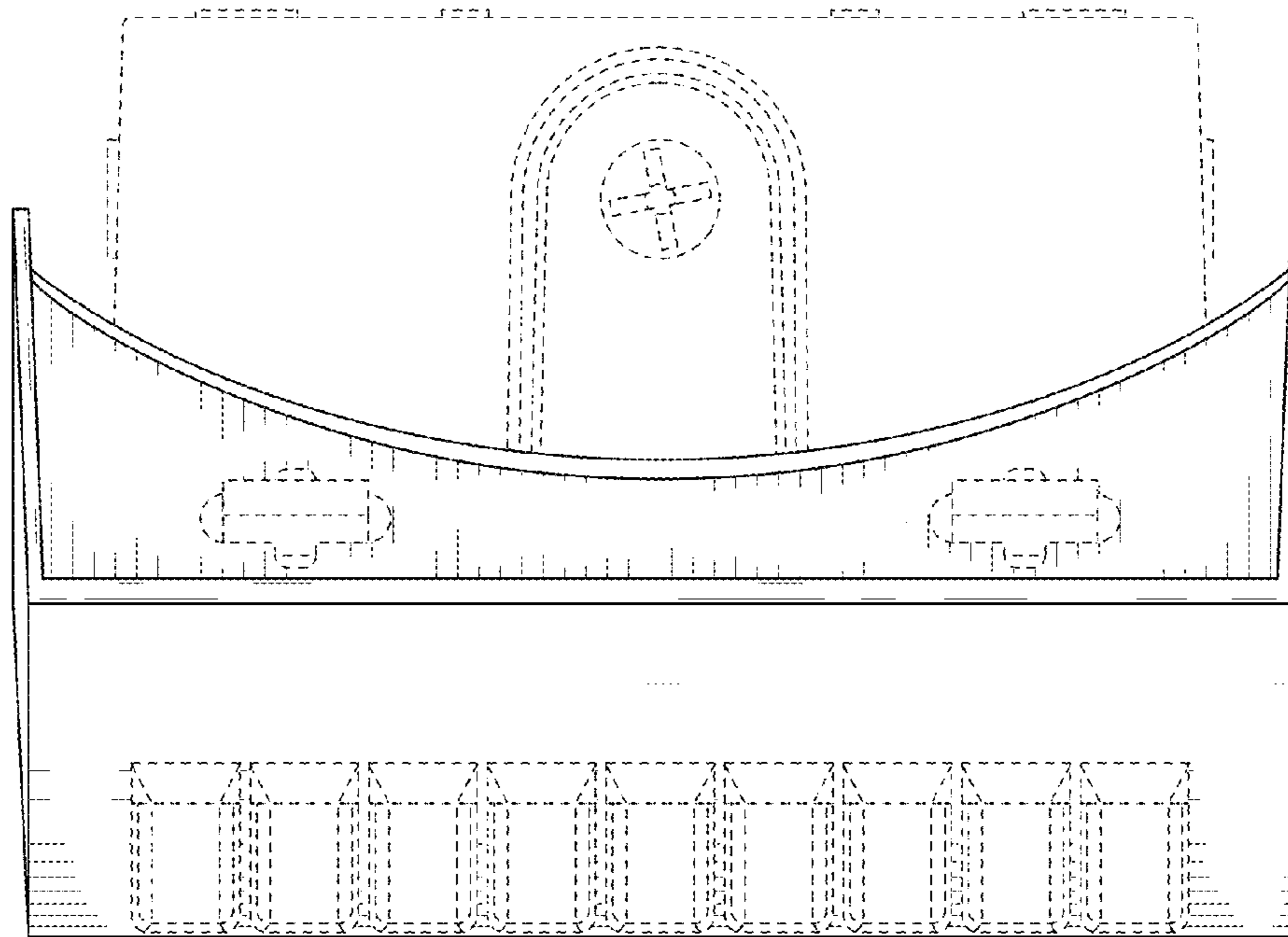


FIG. 5

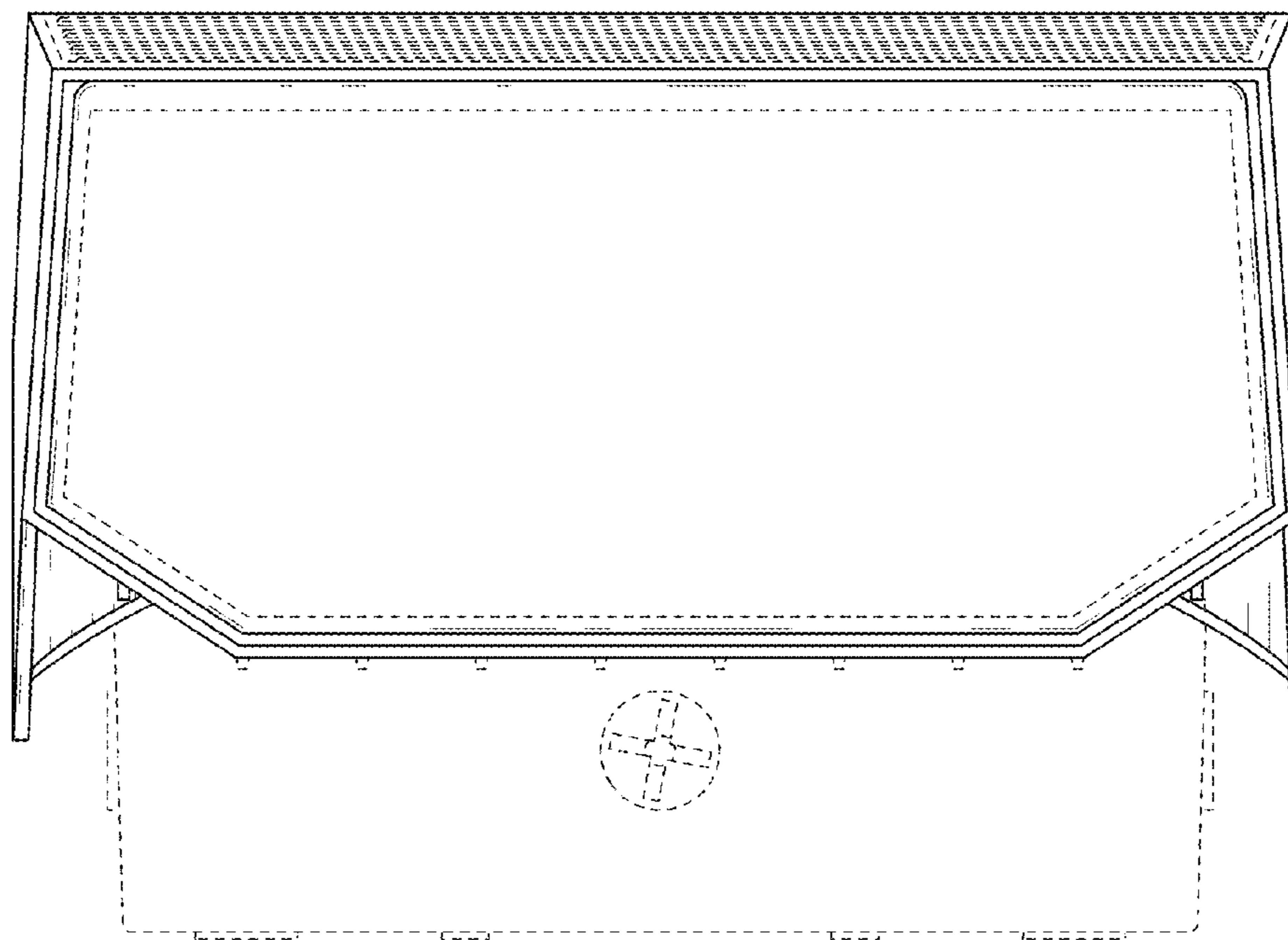


FIG. 6

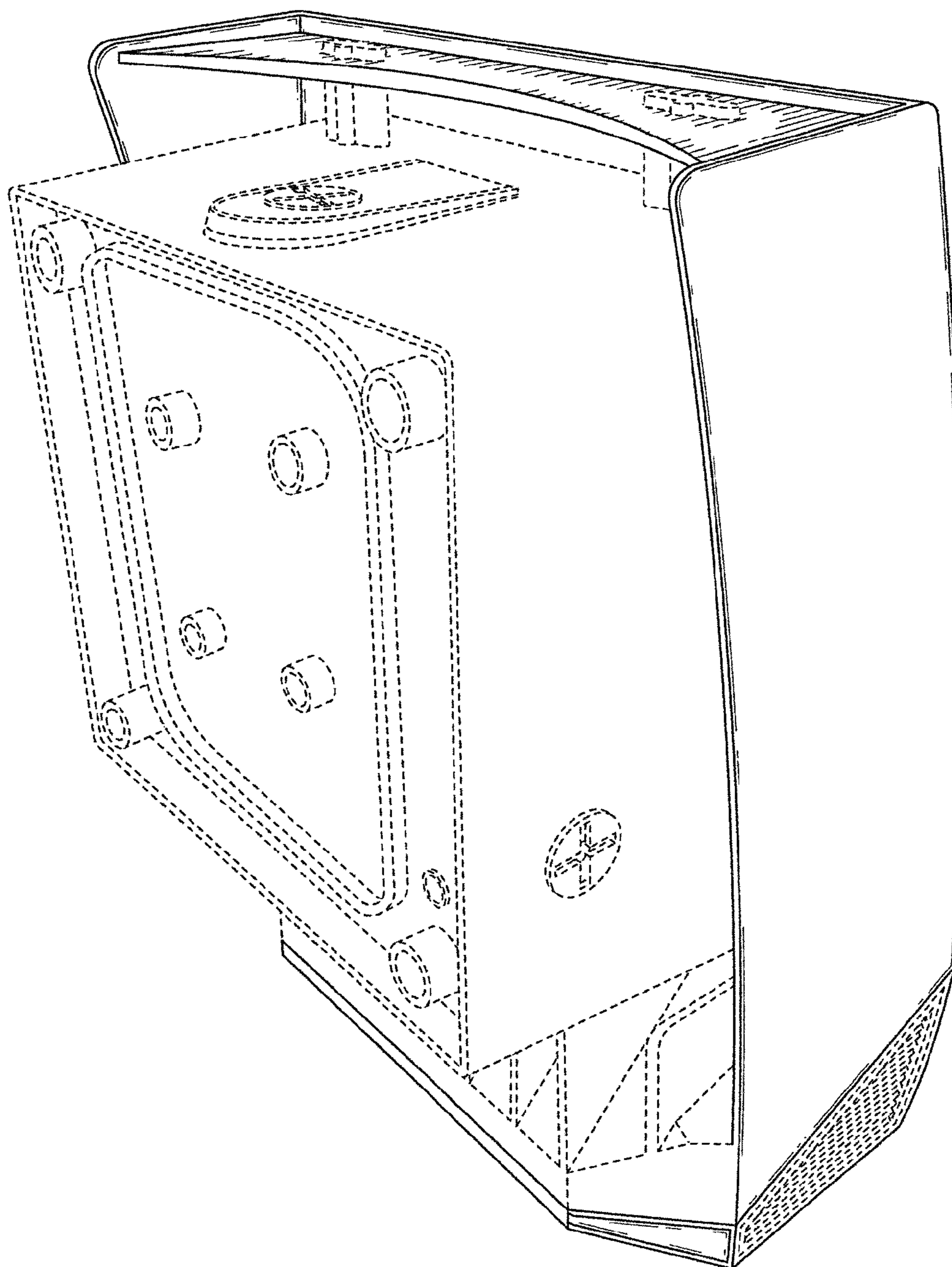


FIG. 7