

US00D698977S

(12) **United States Design Patent**
McClellan

(10) **Patent No.:** **US D698,977 S**

(45) **Date of Patent:** **** Feb. 4, 2014**

(54) **LIGHTING FIXTURE**

(75) Inventor: **Thomas David McClellan**, Santa Cruz, CA (US)

(73) Assignee: **Cool Lumens, Inc.**, Santa Cruz, CA (US)

(**) Term: **14 Years**

(21) Appl. No.: **29/400,116**

(22) Filed: **Aug. 23, 2011**

(51) **LOC (10) Cl.** **26-03**

(52) **U.S. Cl.**
USPC **D26/81; D26/24**

(58) **Field of Classification Search**
USPC D26/72, 81-84, 86-88, 91, 92, 143, D26/144, 145, 152, 155, 156, 240; 362/122, 362/147, 404-408, 431, 432
See application file for complete search history.

(56) **References Cited**

U.S. PATENT DOCUMENTS

D372,552 S * 8/1996 Porter D26/81
D418,914 S * 1/2000 Zuege D26/80
D435,133 S * 12/2000 Miranda D26/84

D607,136 S * 12/2009 Chen D26/81

* cited by examiner

Primary Examiner — Brian N Vinson

(74) *Attorney, Agent, or Firm* — Patent Law Office of Larry Guernsey; Larry Guernsey

(57) **CLAIM**

The ornamental design for a lighting fixture, as shown and described above.

DESCRIPTION

FIG. 1 is a bottom plan view of an ornamental design for a lighting fixture of the present invention;
FIG. 2 is a front view of an ornamental design for a lighting fixture of the present invention;
FIG. 3 is a rear view of an ornamental design for a lighting fixture of the present invention;
FIG. 4 is a right side view of an ornamental design for a lighting fixture of the present invention;
FIG. 5 is a left side view of an ornamental design for a lighting fixture of the present invention;
FIG. 6 is a top plan view of an ornamental design for a lighting fixture of the present invention;
FIG. 7 is a bottom isometric view of an ornamental design for a lighting fixture of the present invention; and,
FIG. 8 is a top isometric view of an ornamental design for a lighting fixture of the present invention.

1 Claim, 8 Drawing Sheets

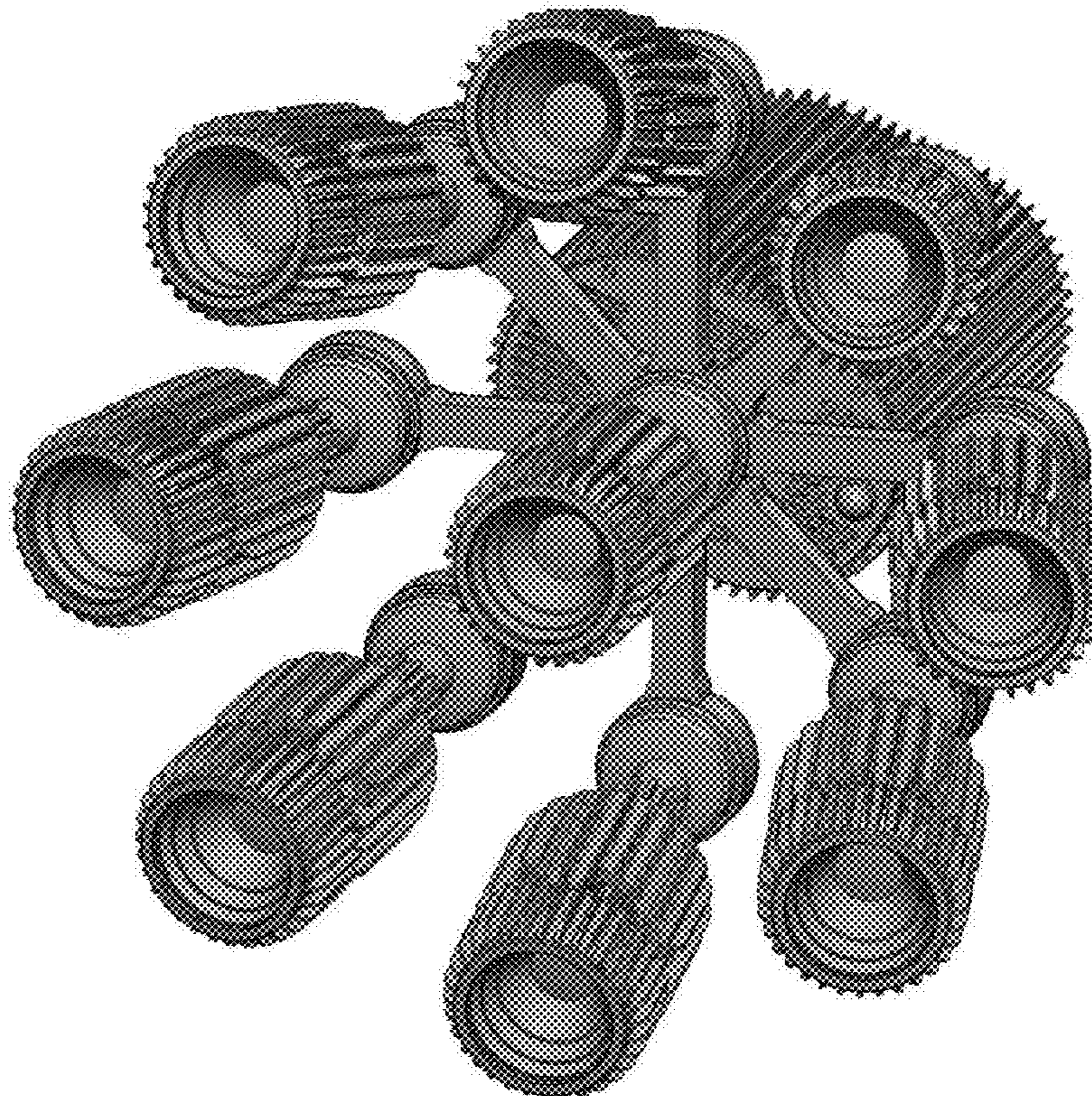




FIGURE 1

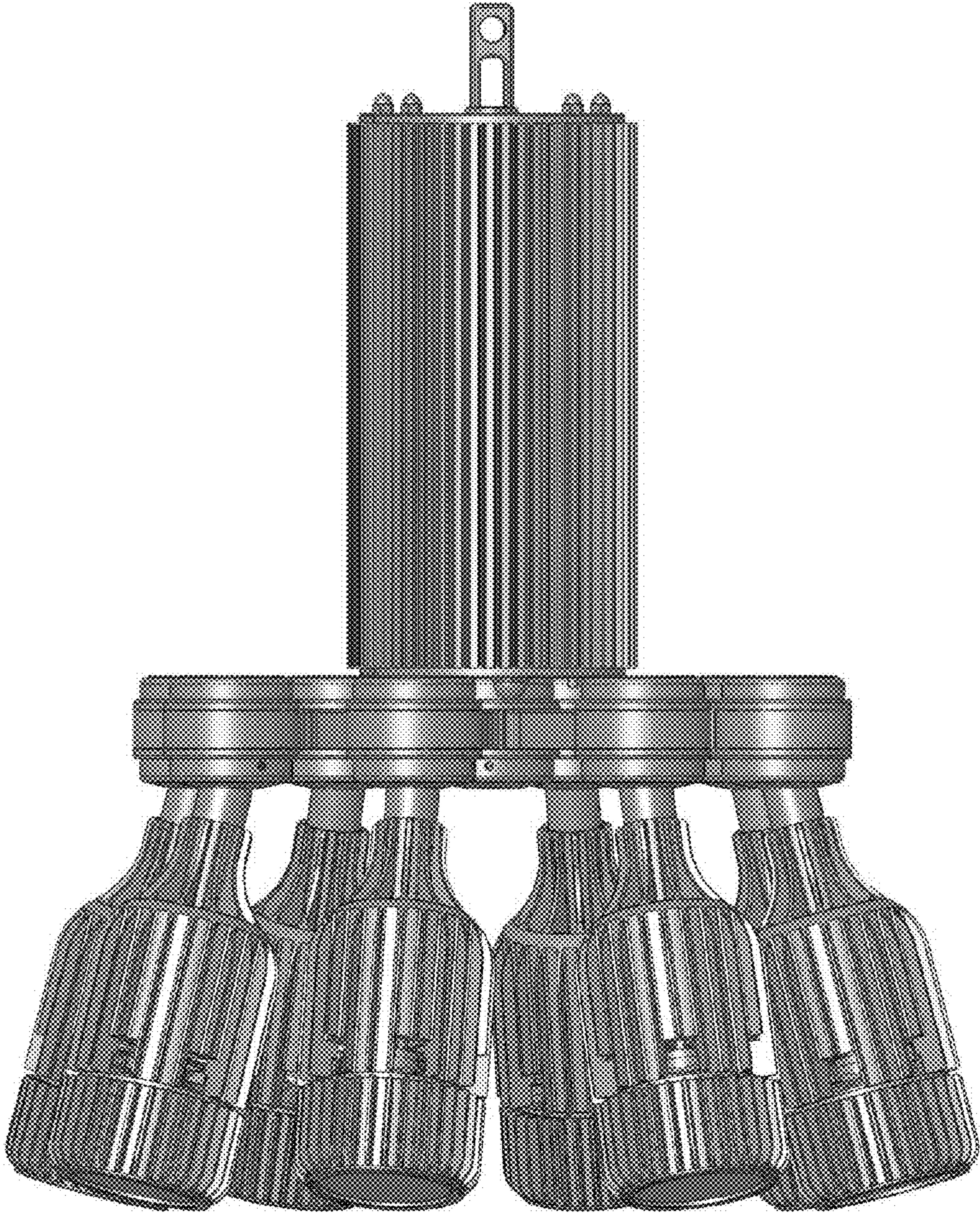


FIGURE 2

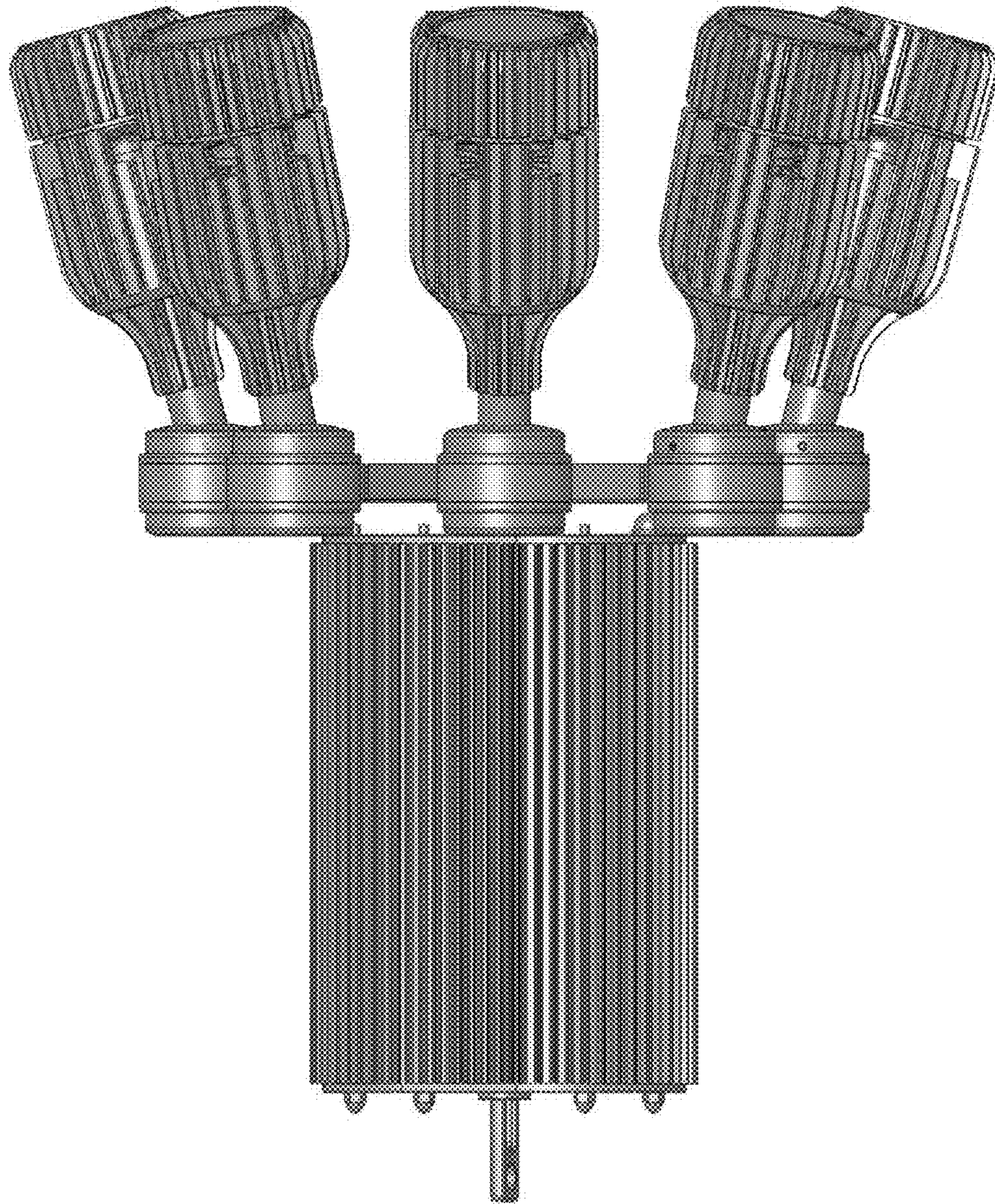


FIGURE 3

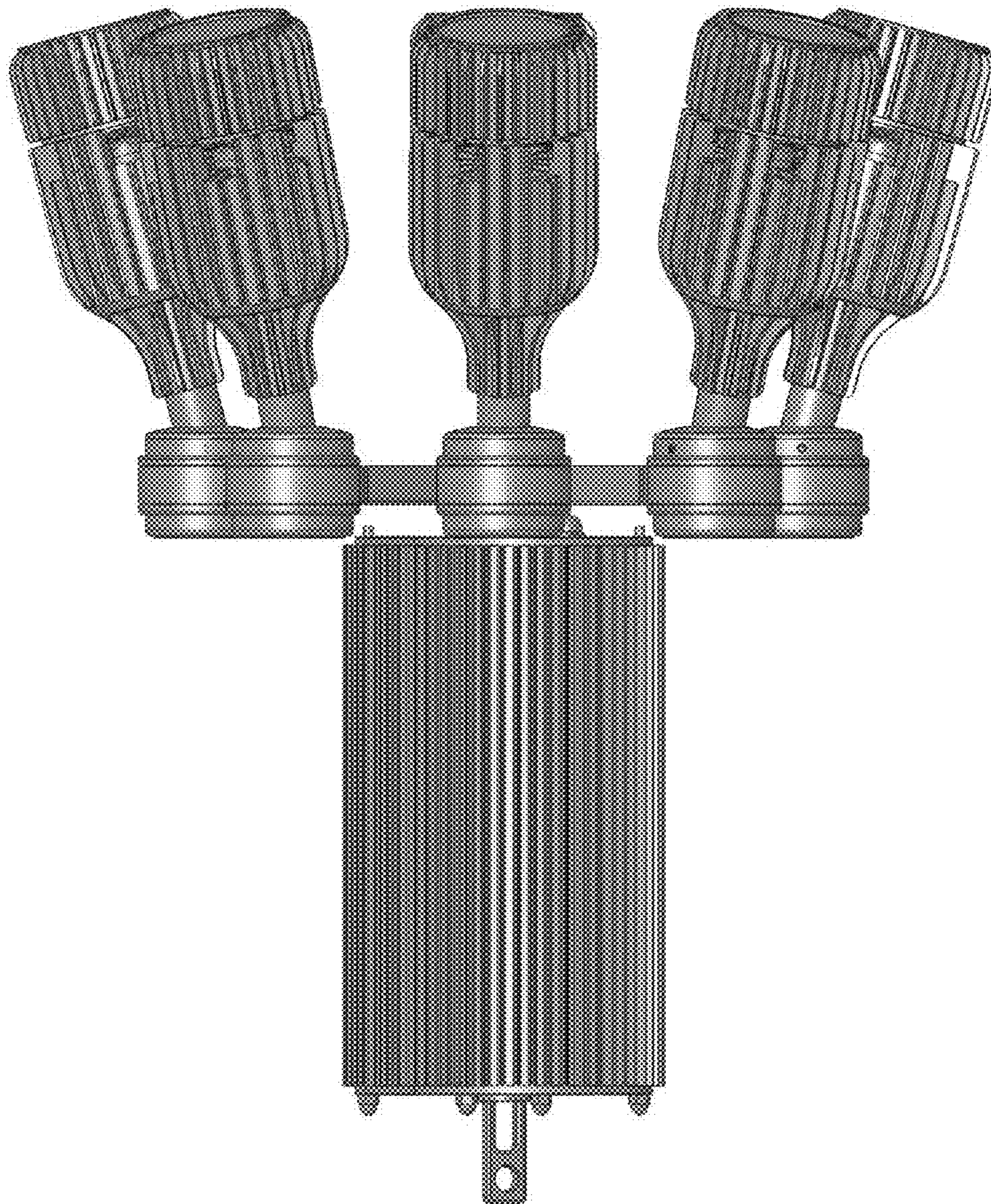


FIGURE 4

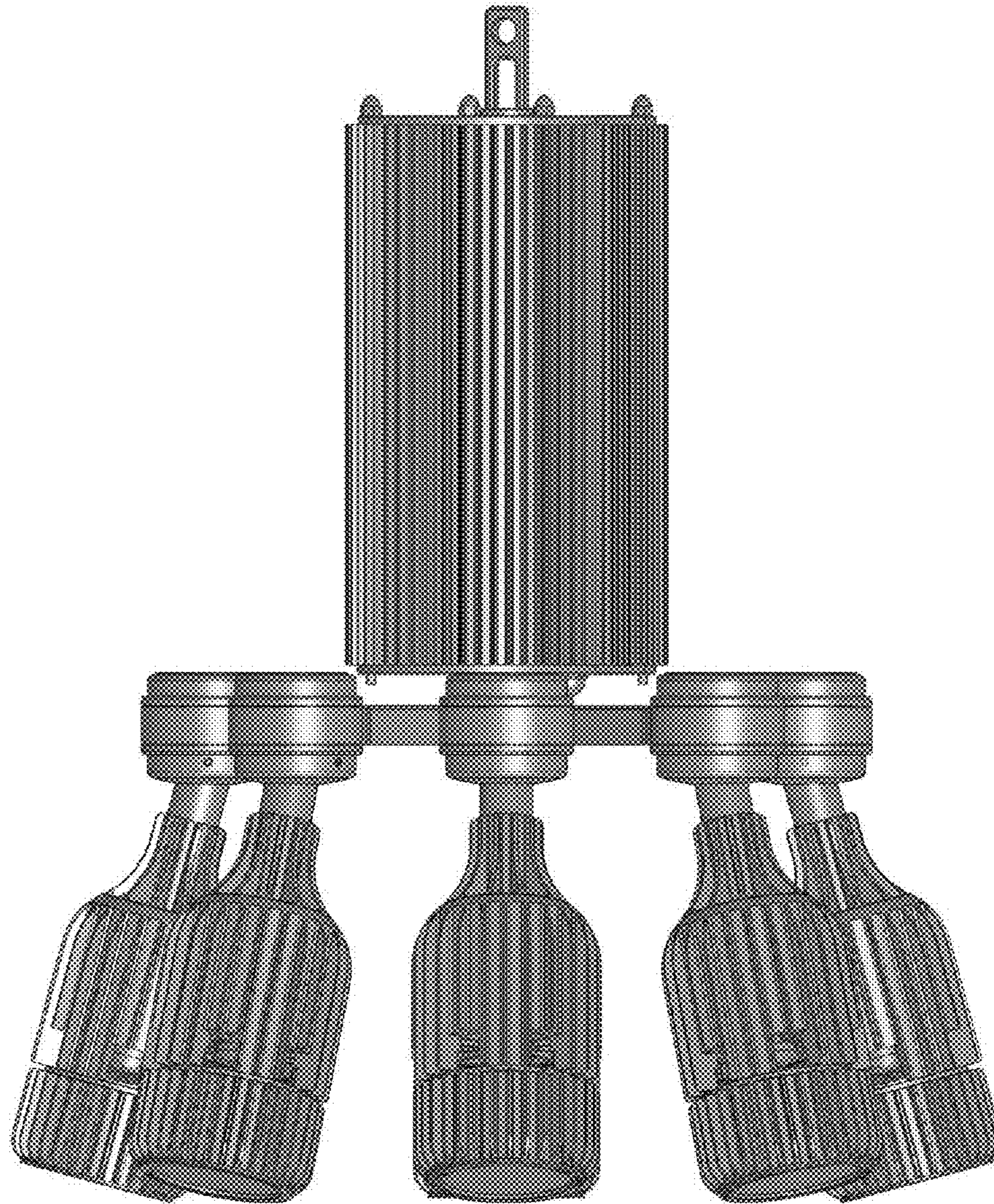


FIGURE 5

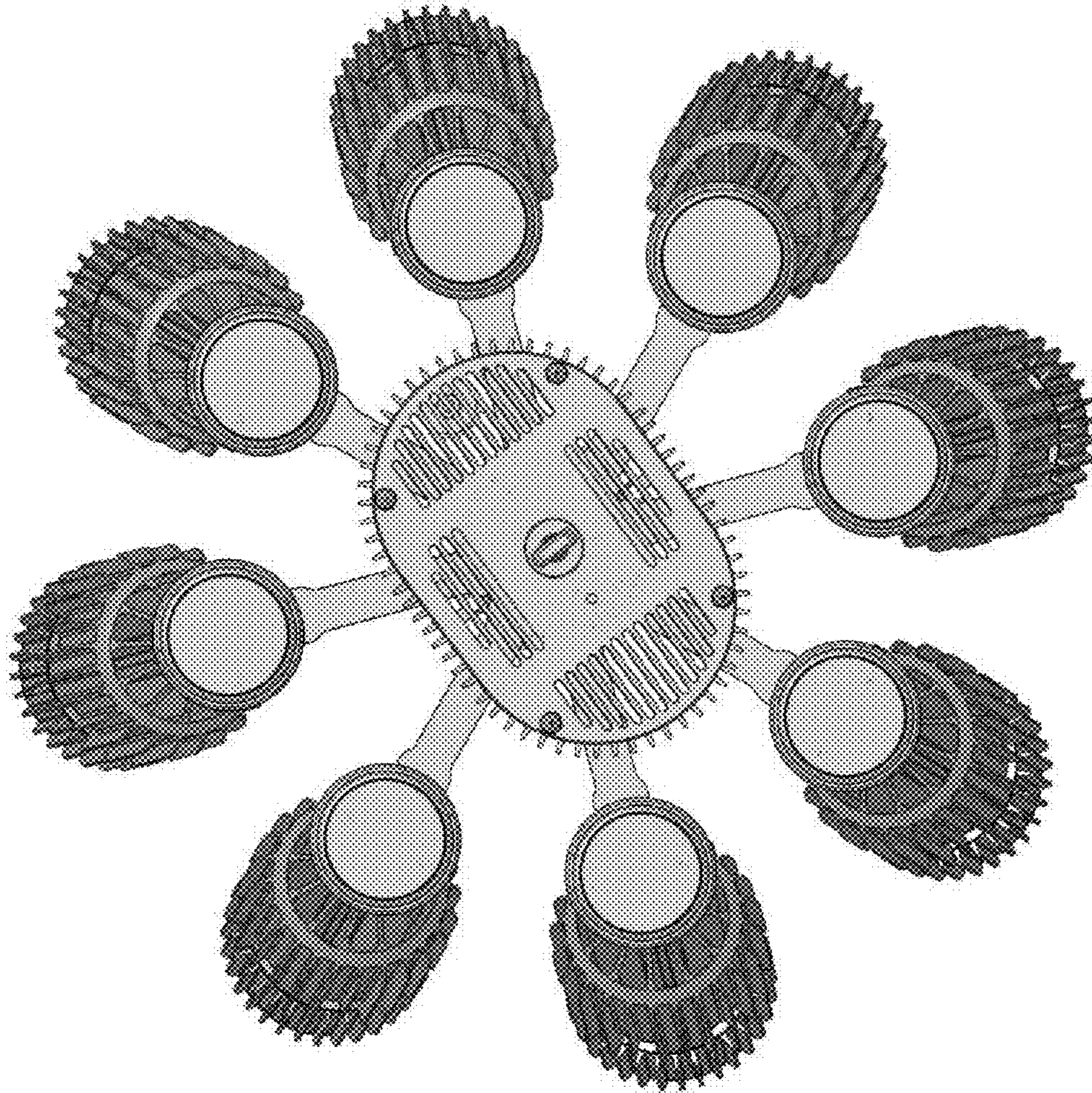


FIGURE 6

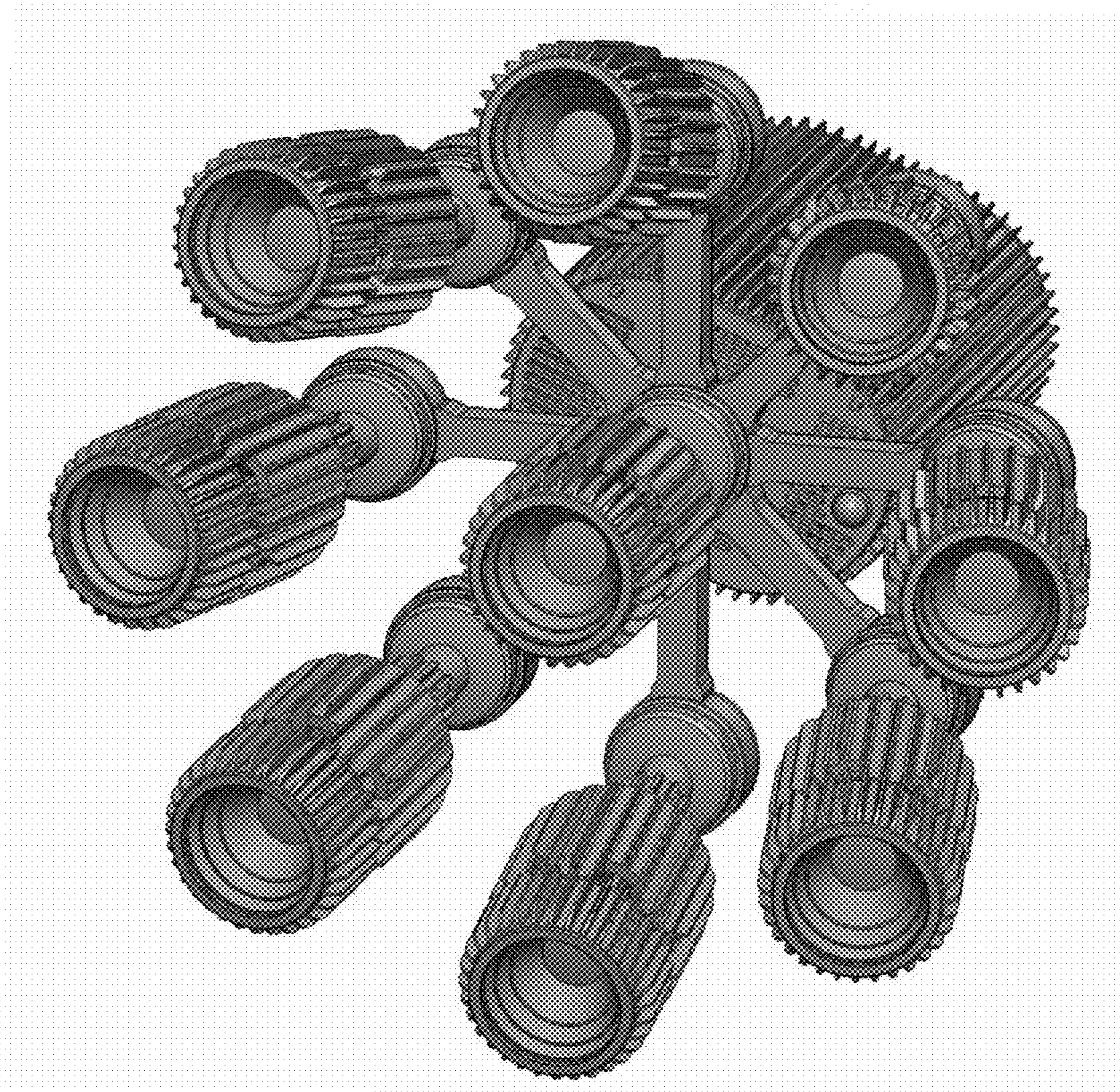


FIGURE 7



FIGURE 8