

US00D698975S

(12) **United States Design Patent**
Blessitt et al.

(10) **Patent No.:** **US D698,975 S**

(45) **Date of Patent:** **** Feb. 4, 2014**

(54) **EDGELIT BLADE LUMINAIRE**

(71) Applicants: **James H. Blessitt**, Peachtree City, GA
(US); **Paul W. Lewis**, Grantville, GA
(US)

(72) Inventors: **James H. Blessitt**, Peachtree City, GA
(US); **Paul W. Lewis**, Grantville, GA
(US)

(73) Assignee: **Cooper Technologies Company**,
Houston, TX (US)

(**) Term: **14 Years**

(21) Appl. No.: **29/452,824**

(22) Filed: **Apr. 22, 2013**

(51) **LOC (10) Cl.** **26-05**

(52) **U.S. Cl.**
USPC **D26/74**

(58) **Field of Classification Search**

USPC D26/74, 113, 118, 119, 120, 122, 138,
D26/141, 24, 58, 59, 67, 72, 75, 76, 77, 78,
D26/79, 80, 81, 82, 83, 84, 85, 86, 88, 89,
D26/90, 91, 93, 105; 362/364, 365, 366,
362/145, 146, 147, 148, 150, 151, 152, 153,
362/153.1, 217.06, 217.07, 219, 294,
362/296.01, 311.07, 311.09

See application file for complete search history.

(56) **References Cited**

U.S. PATENT DOCUMENTS

D386,804	S	*	11/1997	Engel	D26/74
D496,121	S	*	9/2004	Santoro	D26/74
D633,247	S	*	2/2011	Kong et al.	D26/88
D653,376	S	*	1/2012	Kong et al.	D26/76
D664,699	S	*	7/2012	Nakahira et al.	D26/74
D665,119	S	*	8/2012	Bryant	D26/122
D667,983	S	*	9/2012	Pickard et al.	D26/74
D673,711	S	*	1/2013	Pickard et al.	D26/74
D675,364	S	*	1/2013	Watt	D26/74
D677,820	S	*	3/2013	Mayfield et al.	D26/74
D678,597	S	*	3/2013	Lehman et al.	D26/120
D681,872	S	*	5/2013	Kong et al.	D26/141
2011/0176306	A1	*	7/2011	Kim et al.	362/235

* cited by examiner

Primary Examiner — Angela J Lee

(74) *Attorney, Agent, or Firm* — King & Spalding LLP

(57) **CLAIM**

The ornamental design for an edgelit blade luminaire, as shown and described.

DESCRIPTION

FIG. 1 is a top perspective view of an edgelit blade luminaire, showing our new design;
FIG. 2 is a bottom perspective view thereof;
FIG. 3 is a top plan view thereof;
FIG. 4 is a bottom plan view thereof;
FIG. 5 is a left-side elevation view thereof;
FIG. 6 is a right-side elevation view thereof;
FIG. 7 is a front elevation view thereof; and,
FIG. 8 is a rear elevation view thereof.

The broken lines shown represent unclaimed subject matter and form no part of the claimed design.

1 Claim, 6 Drawing Sheets

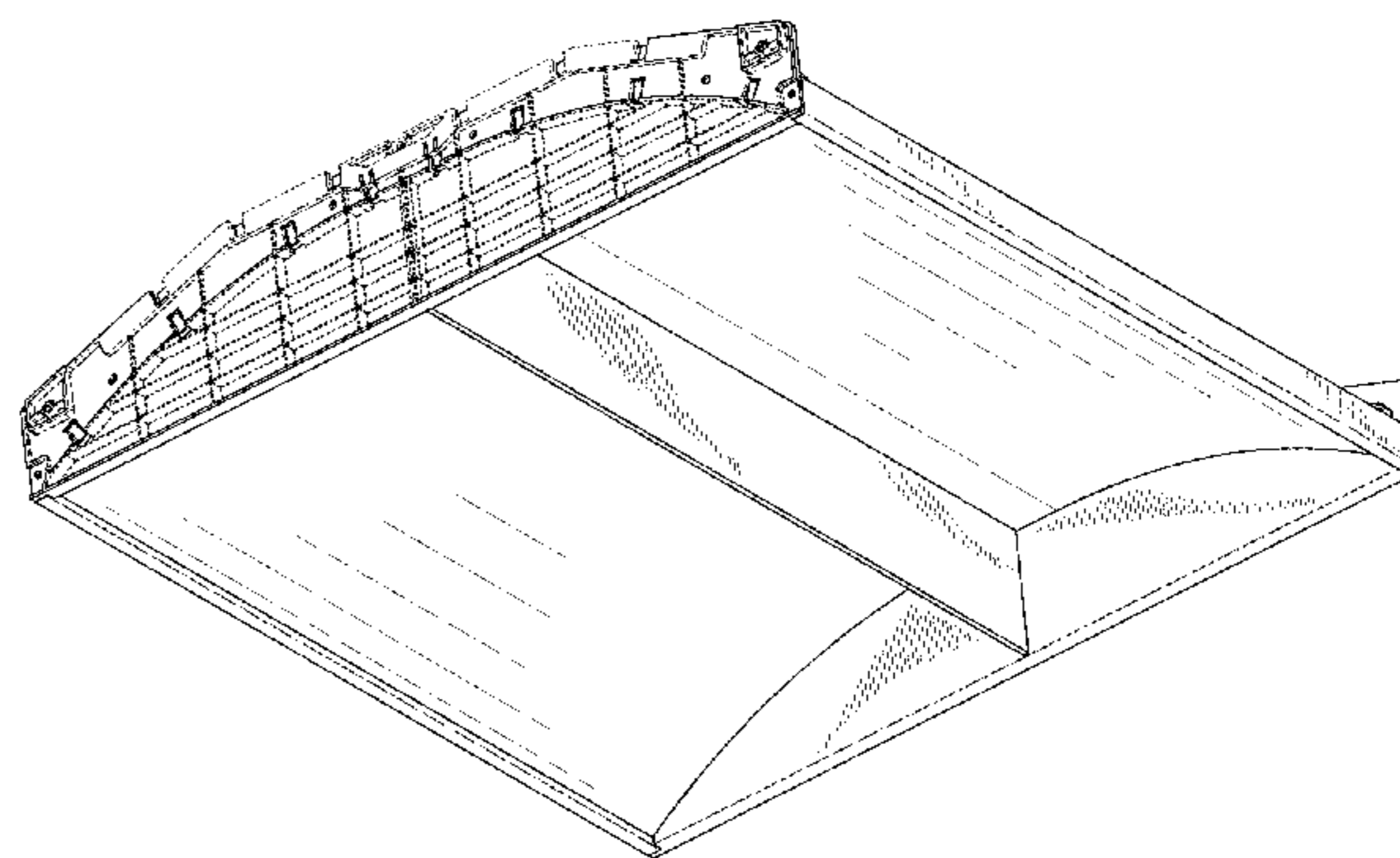
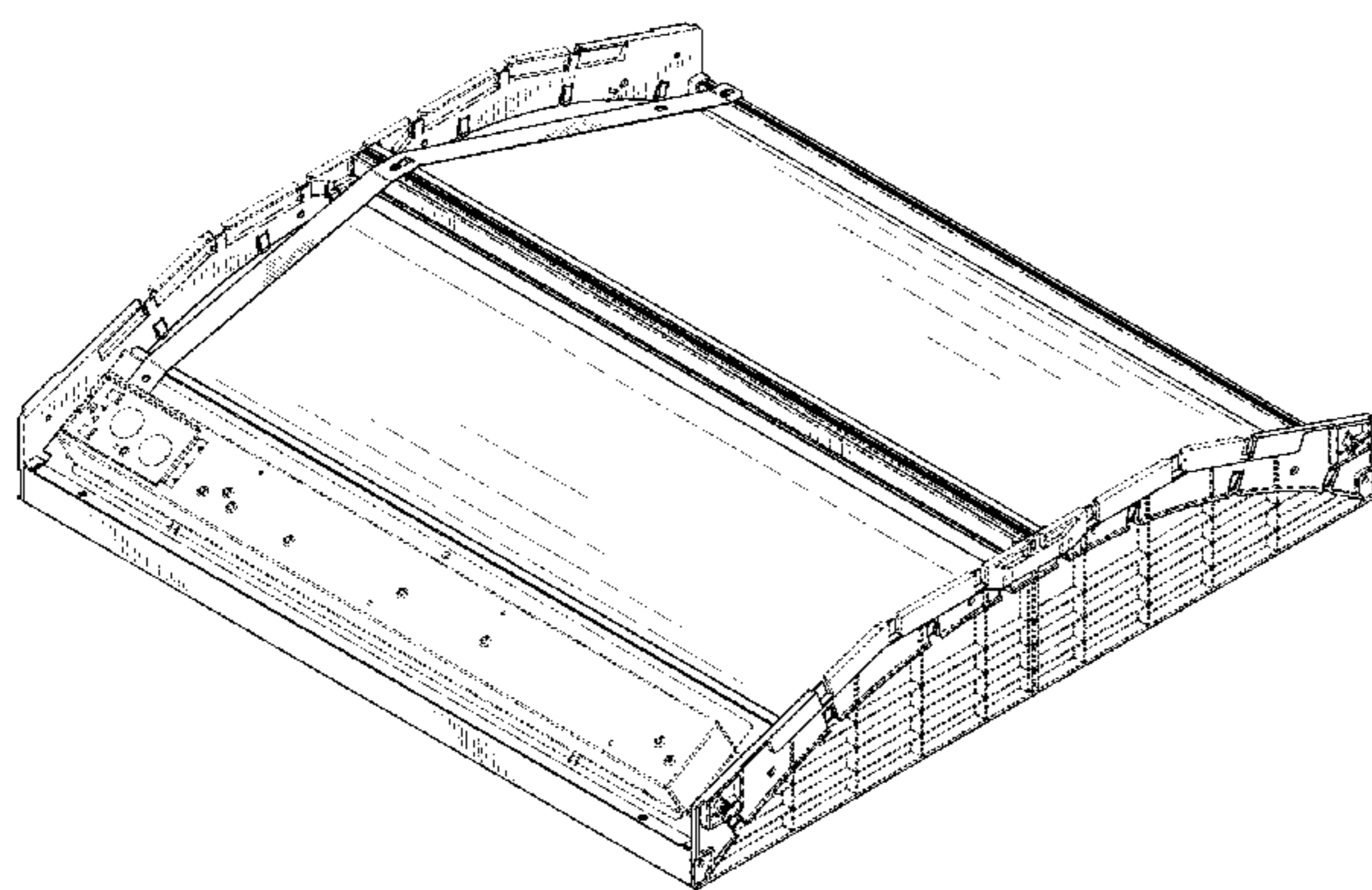


FIG. 1

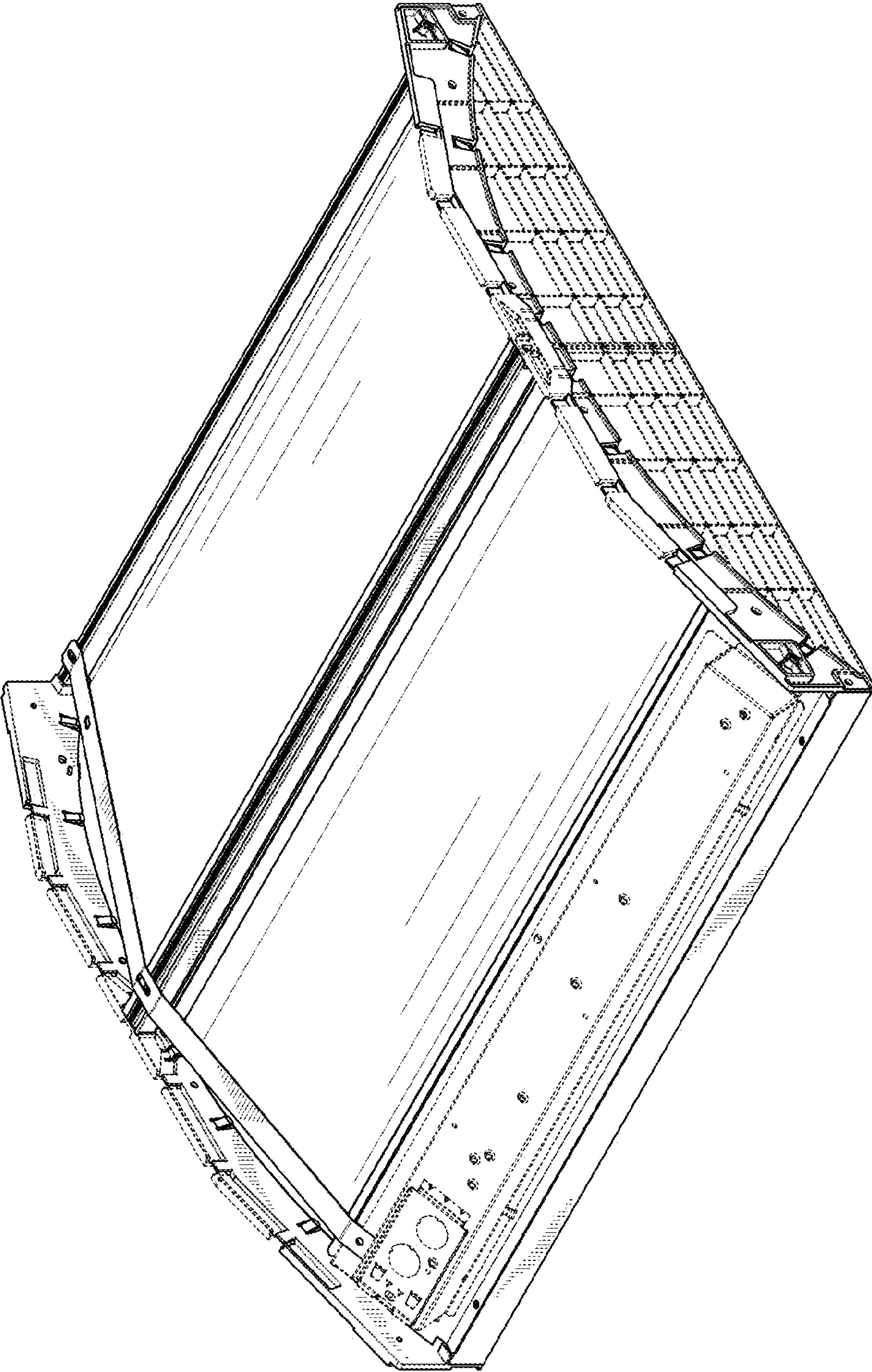


FIG. 2

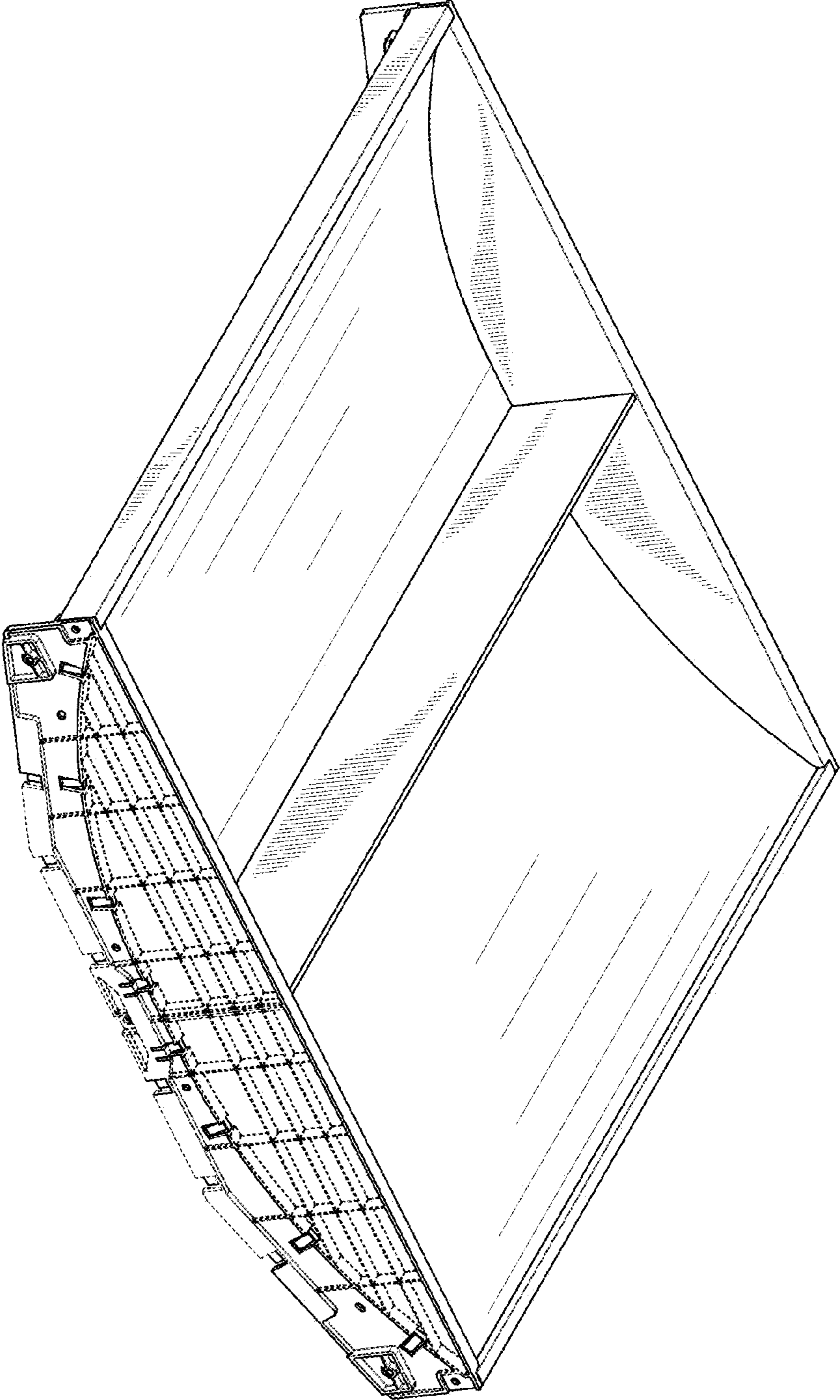


FIG. 3

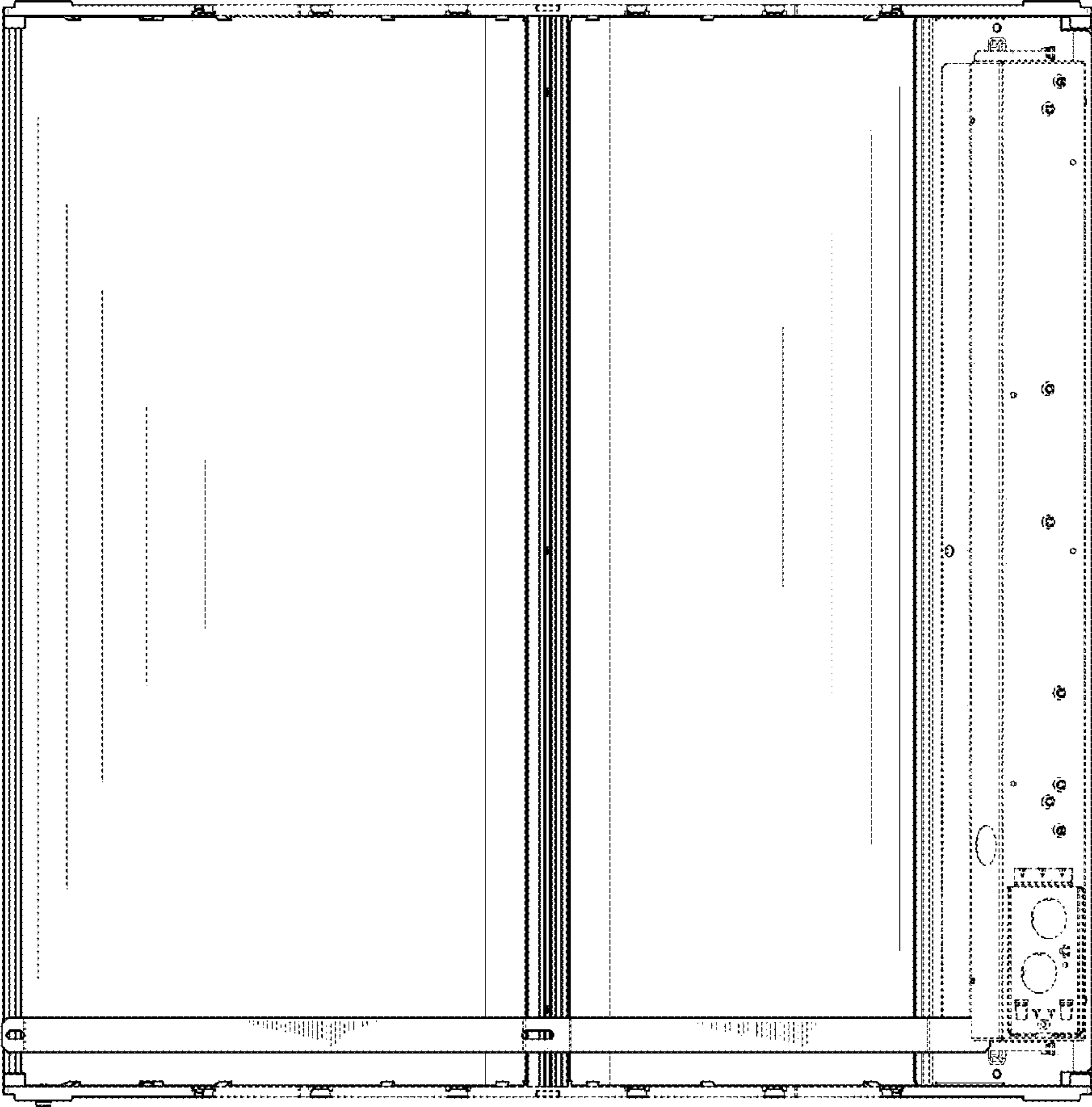


FIG. 4

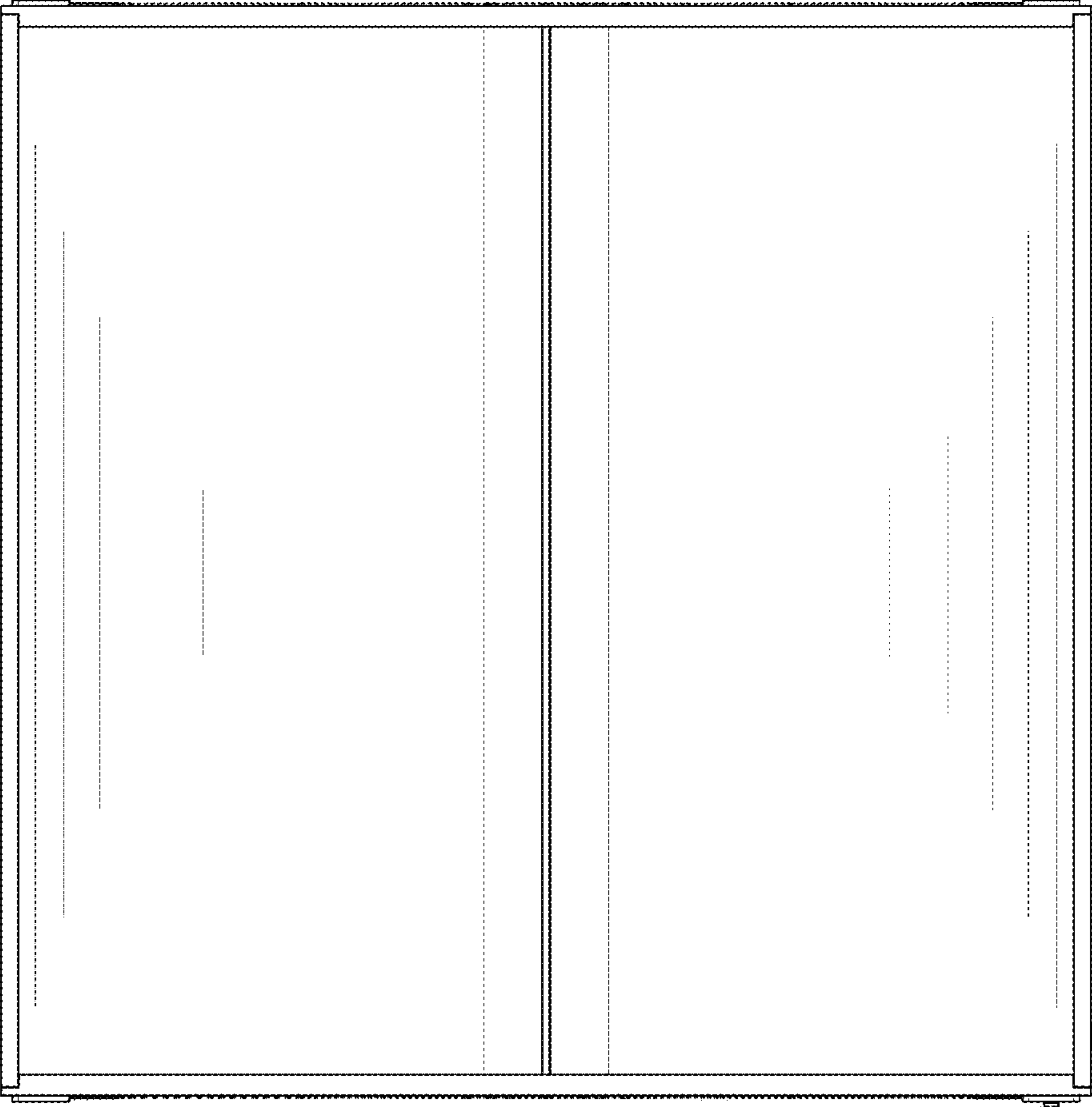


FIG. 5

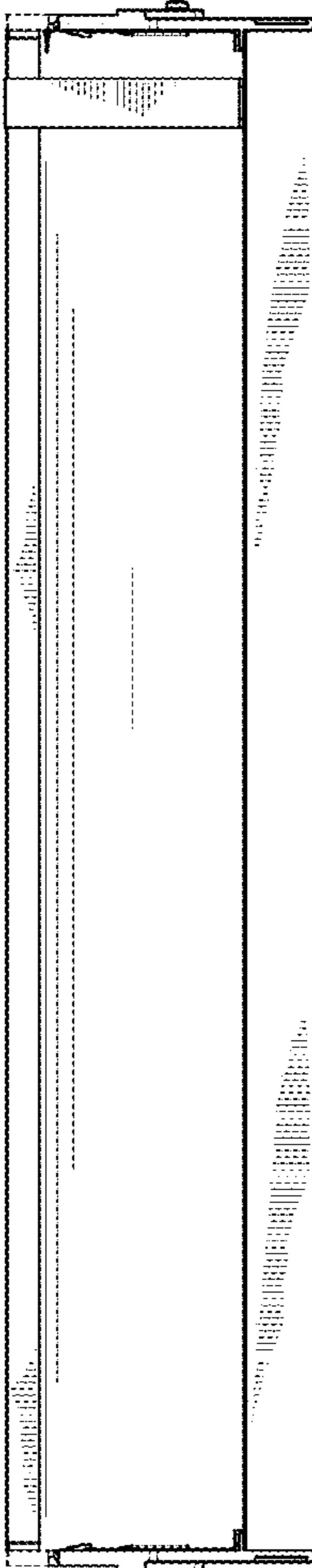


FIG. 6

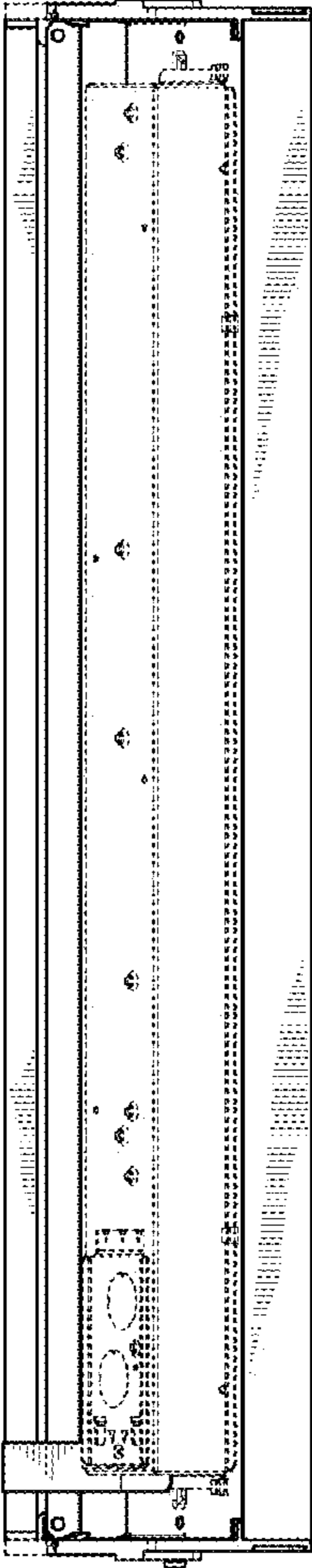


FIG. 7

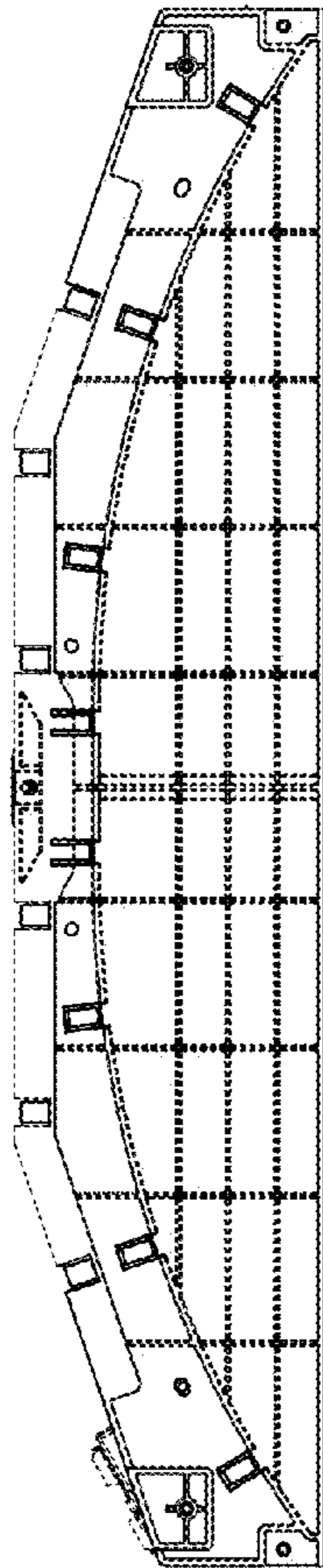


FIG. 8

