



US00D698973S

(12) **United States Design Patent**  
**Santoro et al.**

(10) **Patent No.:** **US D698,973 S**

(45) **Date of Patent:** **\*\* Feb. 4, 2014**

(54) **LUMINAIRE**

(71) Applicant: **Fluxwerx Illumination Inc.,** Delta (CA)

(72) Inventors: **Scott Santoro,** Delta (CA); **Timothy Edward Berman,** Langley (CA); **Lance David Howitt,** Vancouver (CA)

(\*\*) Term: **14 Years**

(21) Appl. No.: **29/440,652**

(22) Filed: **Dec. 24, 2012**

(51) **LOC (10) Cl.** ..... **26-05**

(52) **U.S. Cl.**  
USPC ..... **D26/74**

(58) **Field of Classification Search**  
USPC ..... D26/74, 113, 118, 119, 120, 122, 138,  
D26/141, 24, 58, 59, 67, 72, 75, 76, 77, 78,  
D26/79, 80, 81, 82, 83, 84, 85, 86, 88, 89,  
D26/90, 91, 93, 105; 362/364, 365, 366,  
362/145, 146, 147, 148, 150, 151, 152, 153,  
362/153.1, 217.06, 217.07, 219, 294,  
362/296.01, 311.07, 311.09

See application file for complete search history.

(56) **References Cited**

**U.S. PATENT DOCUMENTS**

D477,891 S *	7/2003	Fritze et al.	.....	D26/74
D595,006 S *	6/2009	Santoro	.....	D26/74
D608,490 S *	1/2010	Chung et al.	.....	D26/118
D608,929 S *	1/2010	Castelli	.....	D26/76
D608,931 S *	1/2010	Castelli	.....	D26/76
D608,932 S *	1/2010	Castelli	.....	D26/76
D609,385 S *	2/2010	Castelli	.....	D26/76
D614,792 S *	4/2010	Fabbri et al.	.....	D26/74
D633,247 S *	2/2011	Kong et al.	.....	D26/88

D644,374 S *	8/2011	Ferrier	.....	D26/118
D672,079 S *	12/2012	Kong et al.	.....	D26/74
D675,364 S *	1/2013	Watt	.....	D26/74
D677,818 S *	3/2013	Steele et al.	.....	D26/74

\* cited by examiner

*Primary Examiner* — Angela J Lee

(74) *Attorney, Agent, or Firm* — Oyen Wiggs Green & Mutala LLP

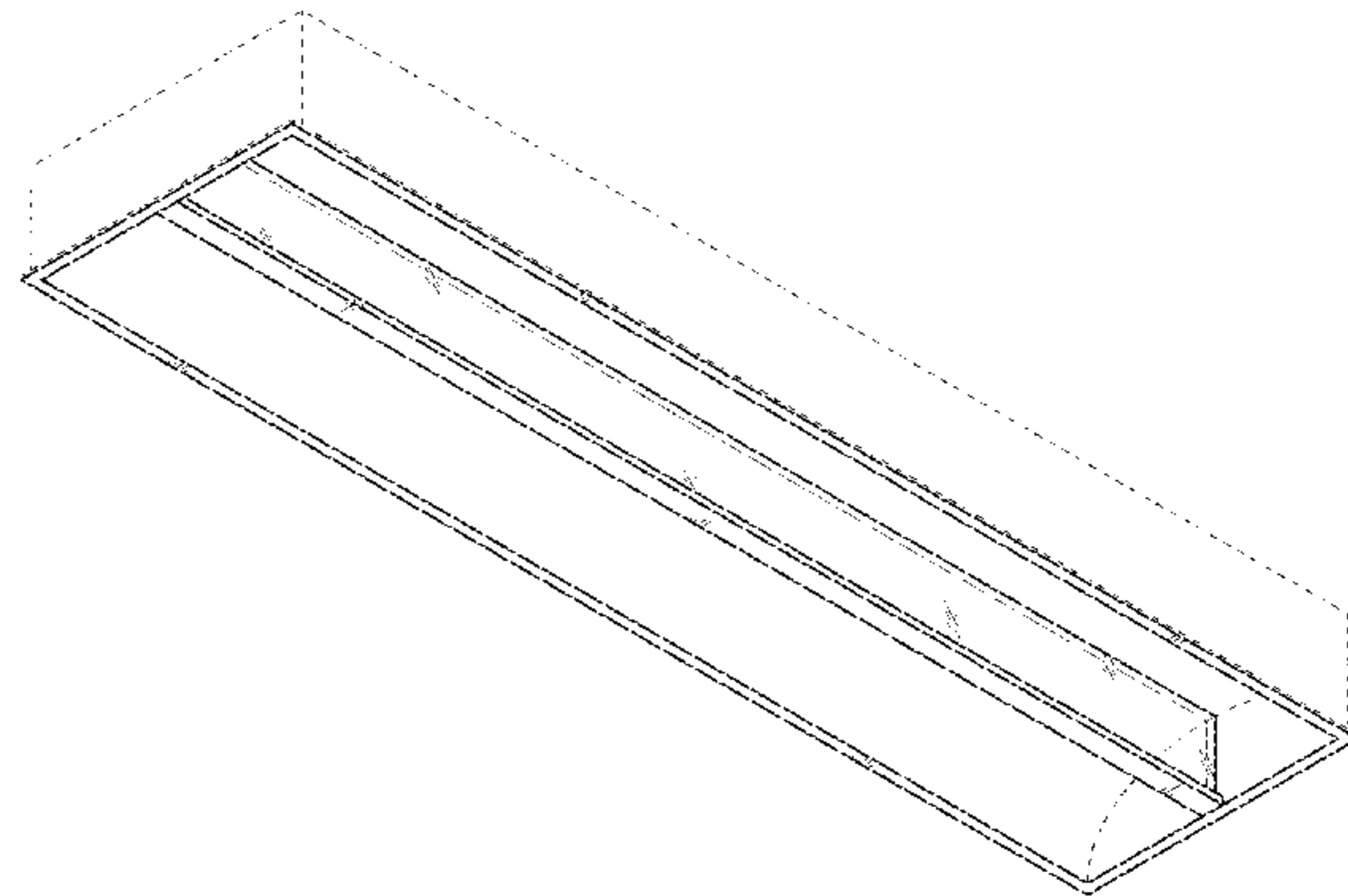
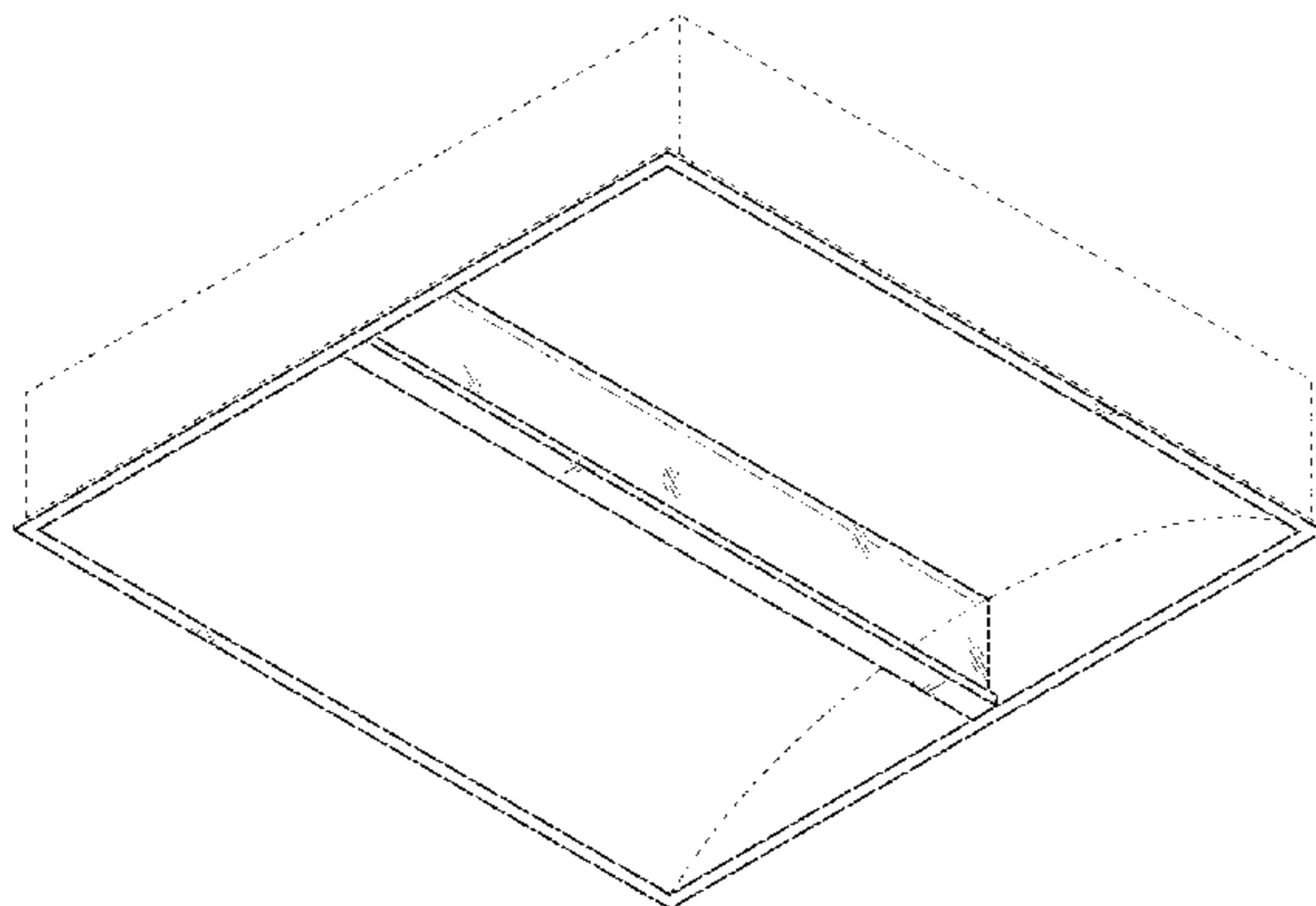
(57) **CLAIM**

The ornamental design for a luminaire, as shown and described.

**DESCRIPTION**

FIG. 1 is a perspective view of a luminaire;  
 FIG. 2 is a bottom view thereof;  
 FIG. 3 is a right side view thereof, the left side view being identical thereto;  
 FIG. 4 is a front side view thereof, the rear side view being identical thereto;  
 FIG. 5 is a perspective view of a second embodiment of the luminaire;  
 FIG. 6 is a bottom view thereof;  
 FIG. 7 is a right side view thereof, the left side view being identical thereto;  
 FIG. 8 is a front side view thereof, the rear side view being identical thereto;  
 FIG. 9 is a perspective view of a third embodiment of the luminaire;  
 FIG. 10 is a bottom view thereof;  
 FIG. 11 is a right side view thereof, the left side view being identical thereto; and,  
 FIG. 12 is a front side view thereof, the rear side view being identical thereto.

**1 Claim, 6 Drawing Sheets**



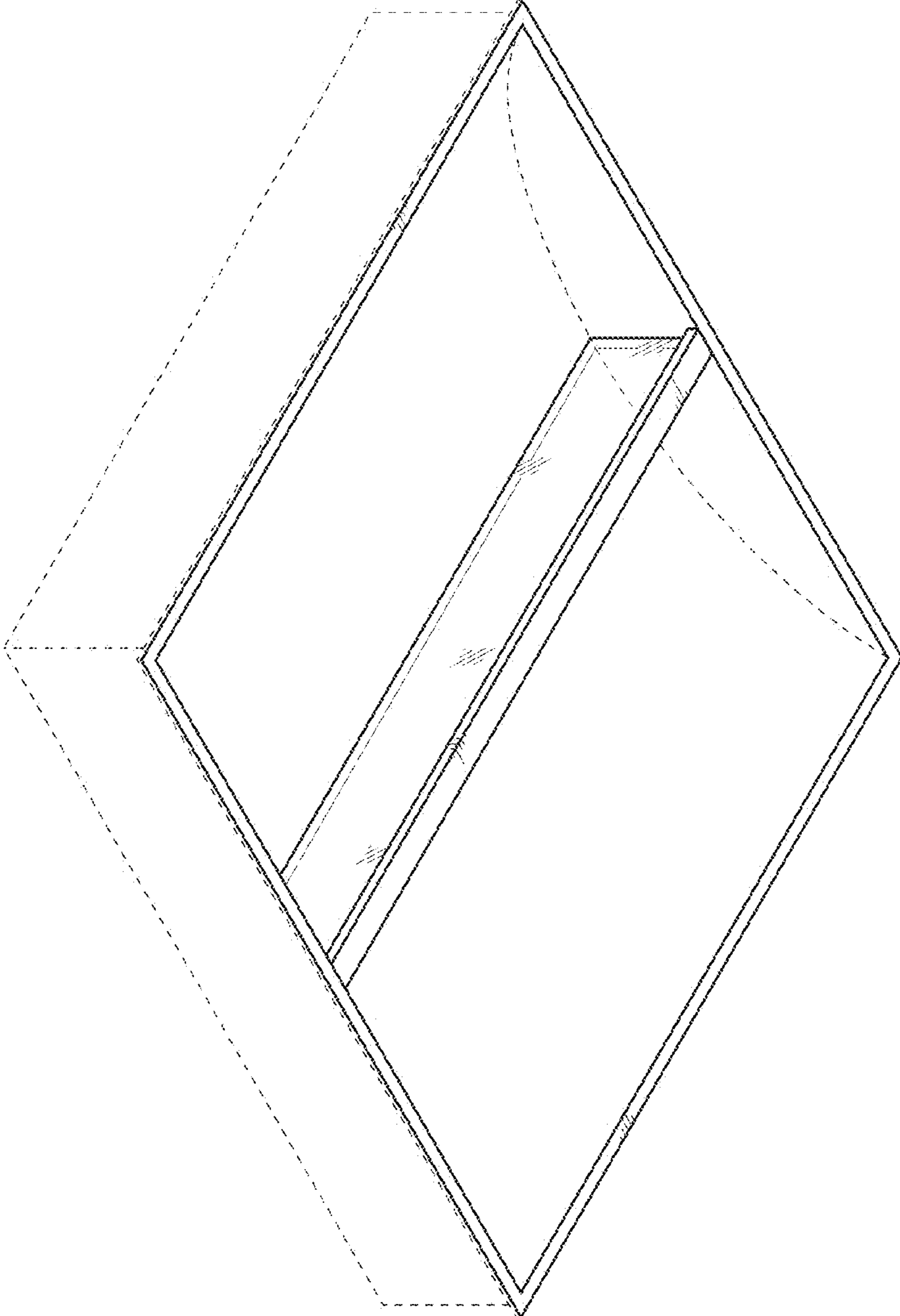


FIG. 1

FIG. 3

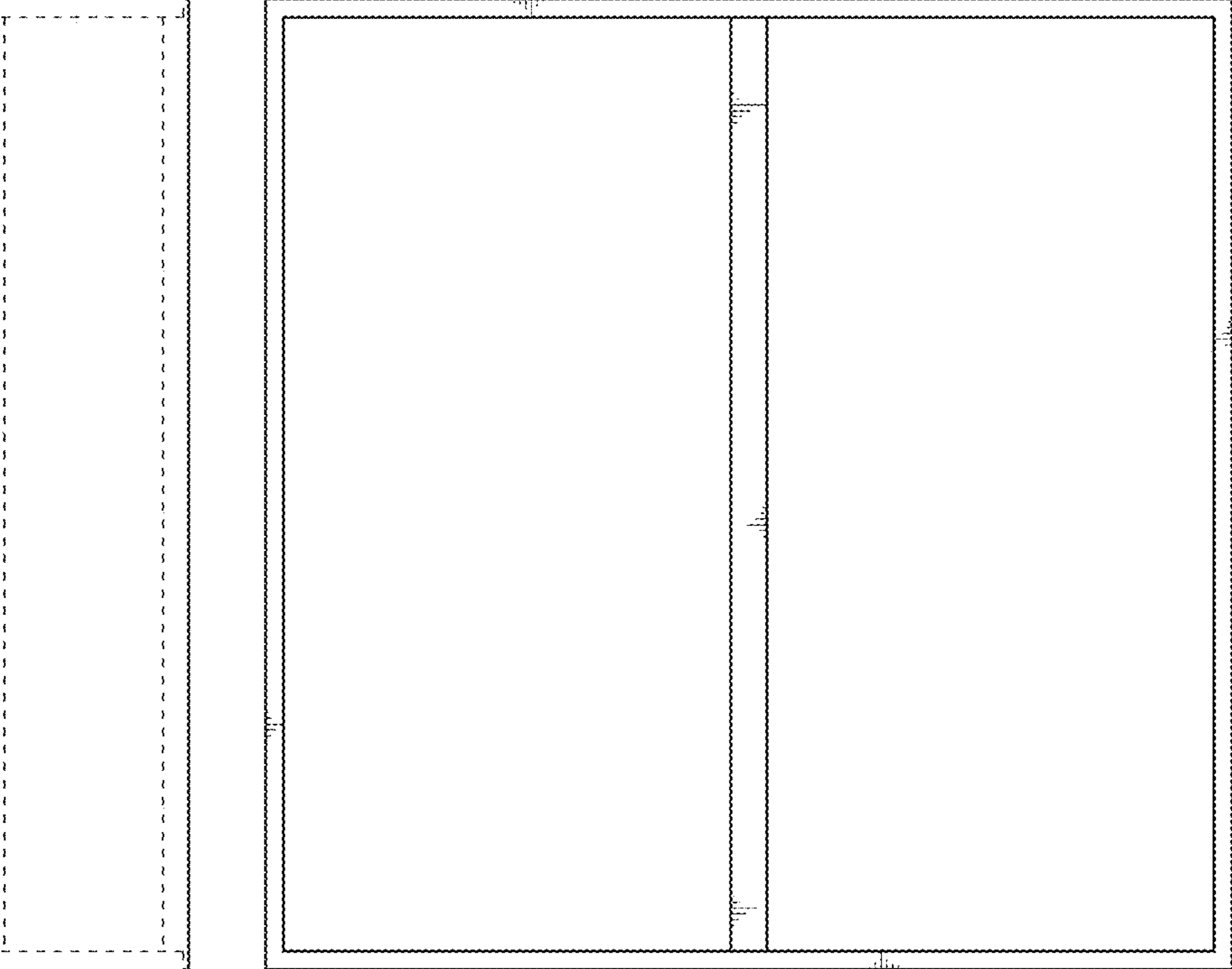


FIG. 2

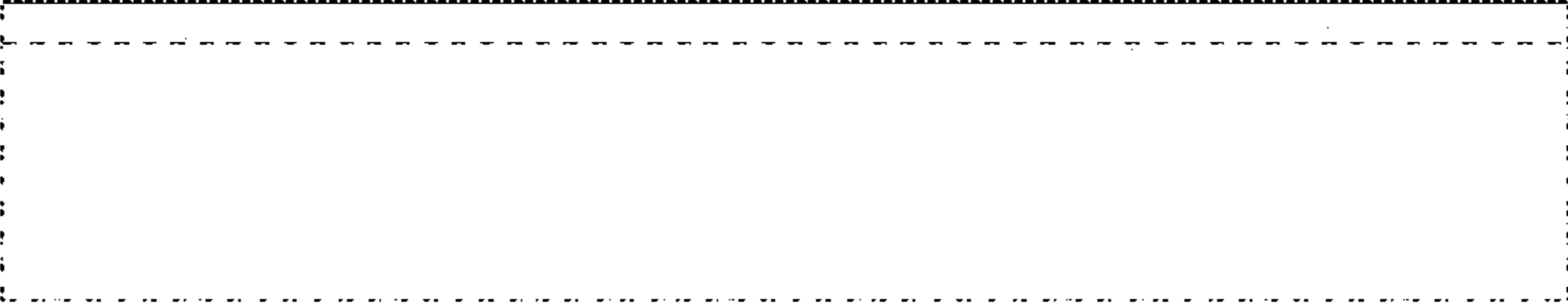


FIG. 4

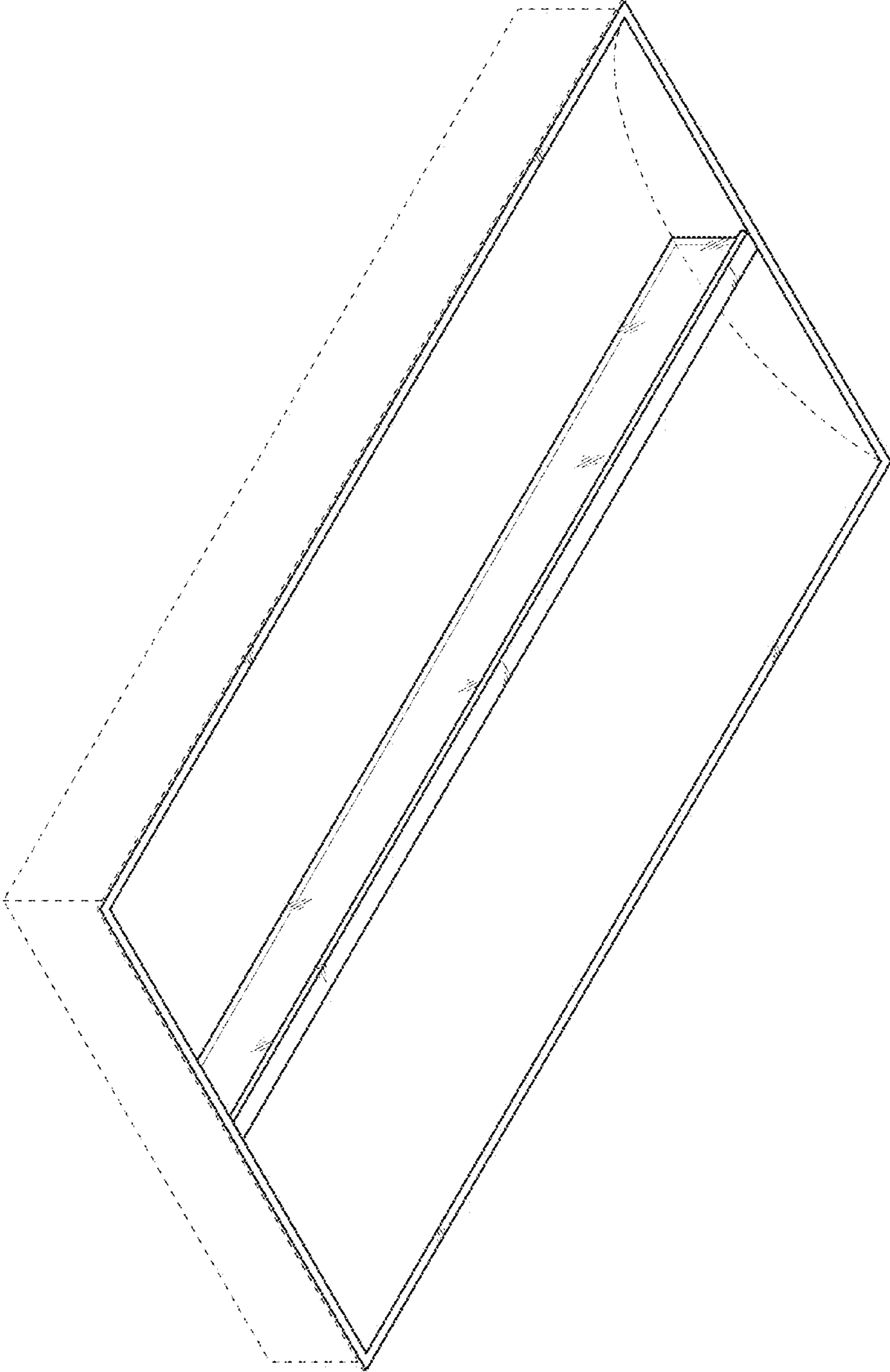
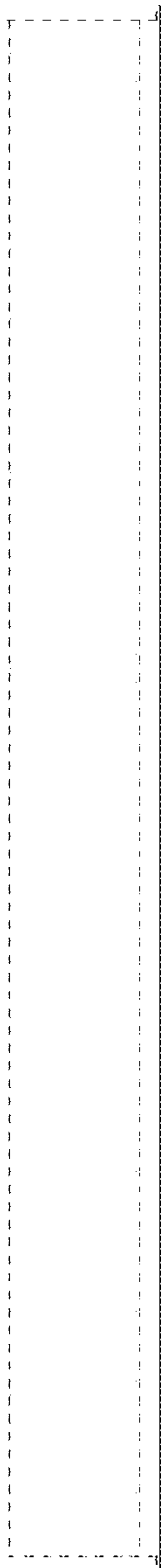
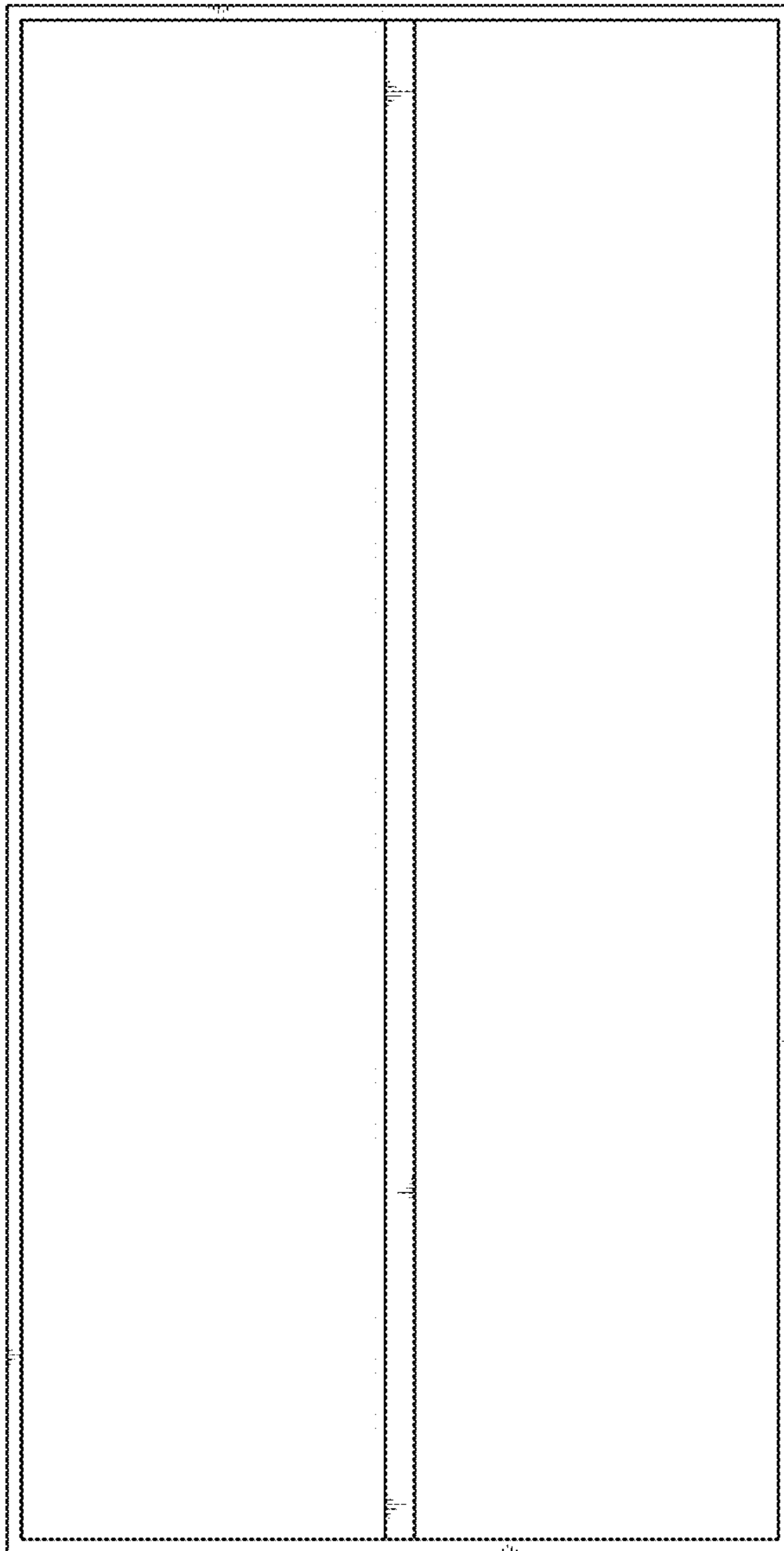


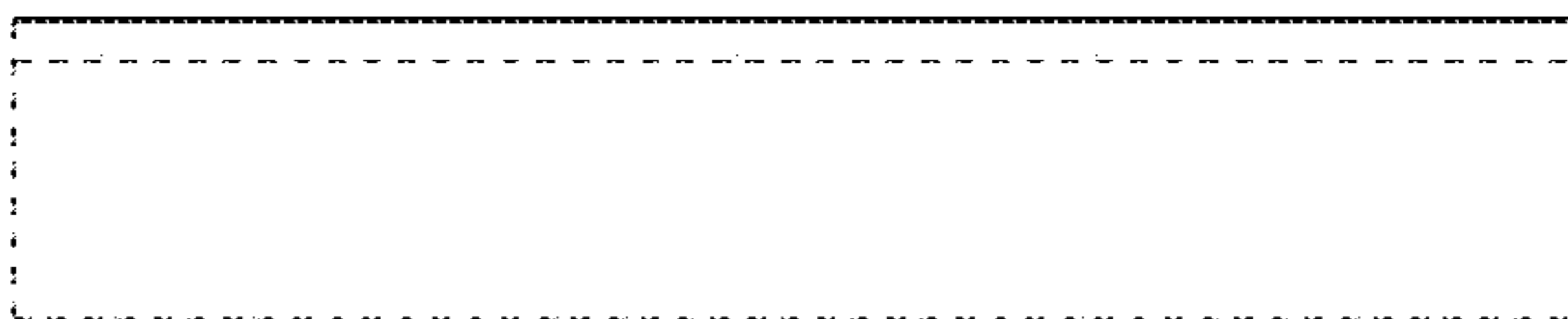
FIG. 5



**FIG. 7**



**FIG. 6**



**FIG. 8**

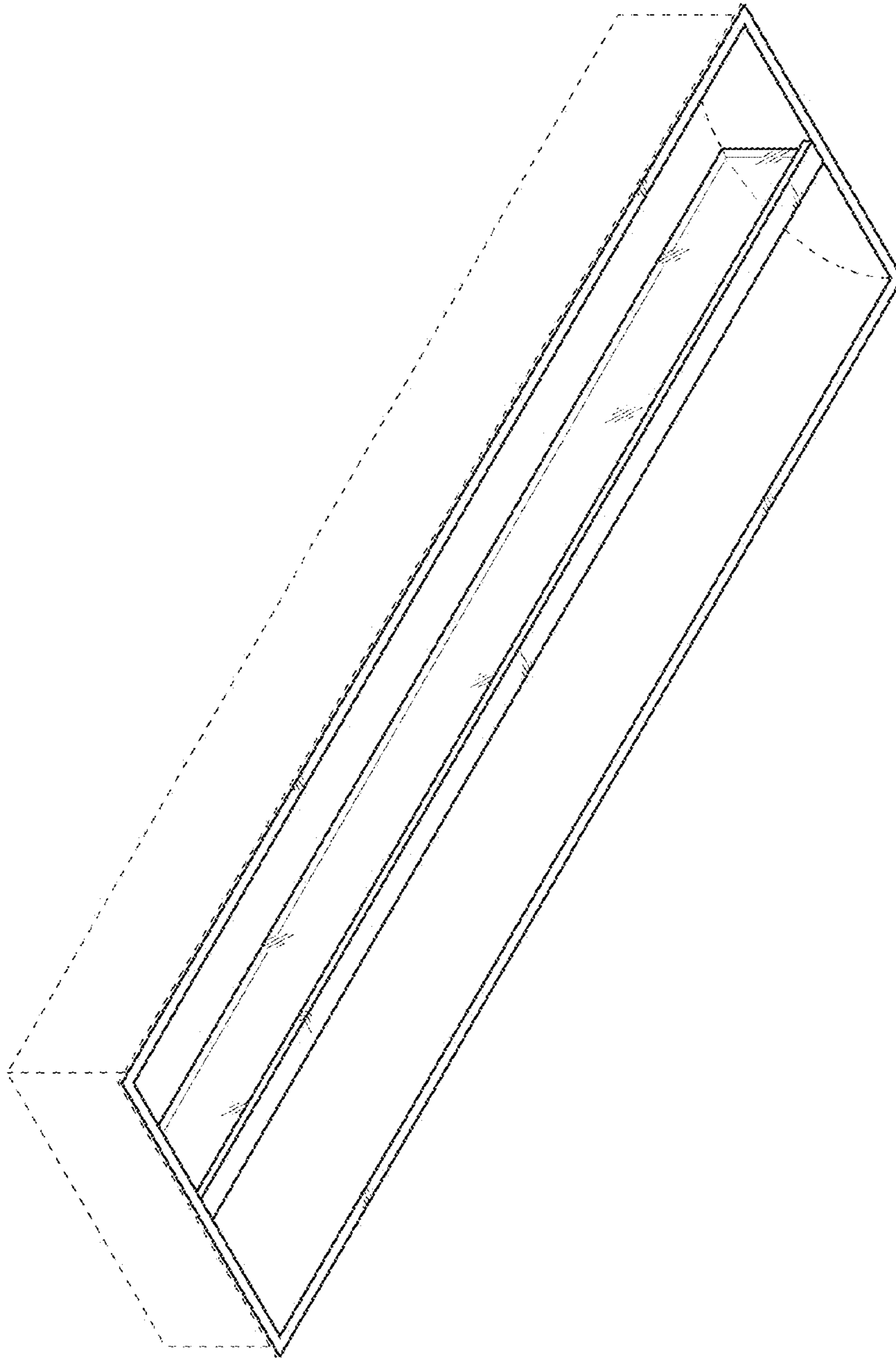
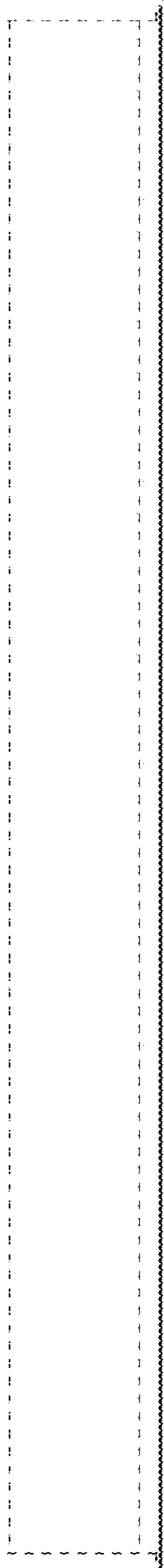
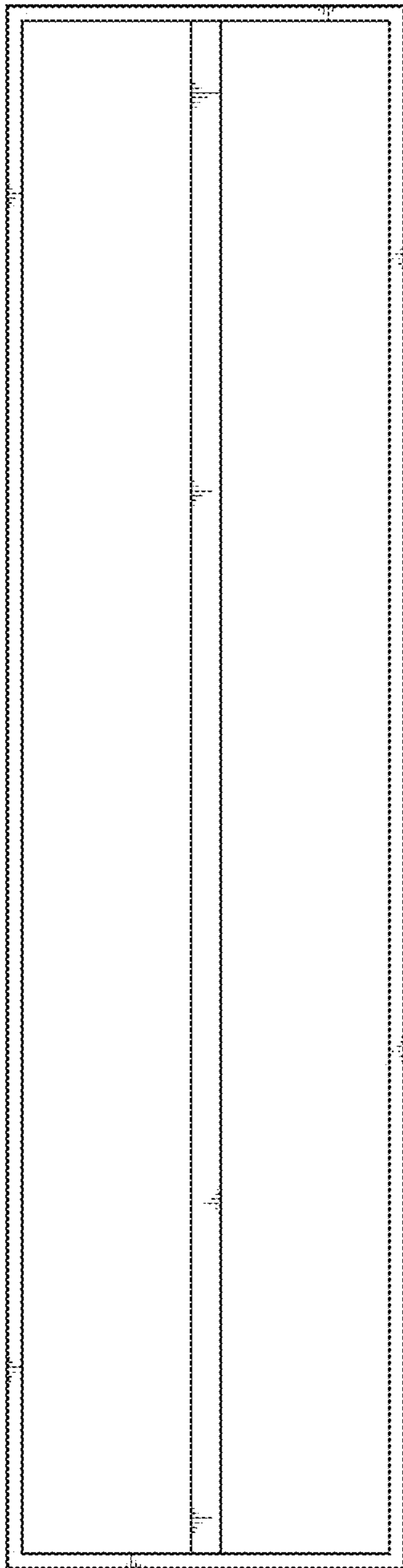


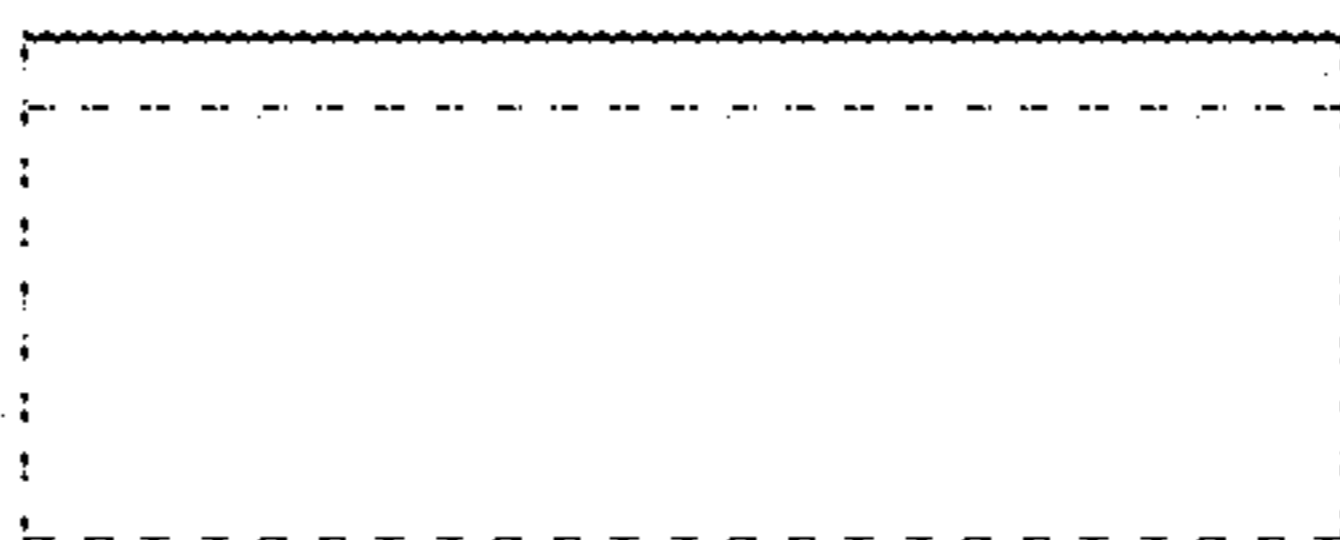
FIG. 9



**FIG. 11**



**FIG. 10**



**FIG. 12**