



US00D698962S

(12) **United States Design Patent**
Waldmann

(10) **Patent No.:** **US D698,962 S**
(45) **Date of Patent:** **** Feb. 4, 2014**

(54) **LAMP**

(75) Inventor: **Gerhard Waldmann**, Stein am Rhein
(CH)

(73) Assignee: **Herbert Waldmann GmbH & Co. KG**,
Villingen-Schwenningen (DE)

(**) Term: **14 Years**

(21) Appl. No.: **29/399,775**

(22) Filed: **Aug. 18, 2011**

(30) **Foreign Application Priority Data**

Feb. 24, 2011 (DE) 40 2011 001 009

(51) **LOC (10) Cl.** **26-05**

(52) **U.S. Cl.**
USPC **D26/51; D16/135**

(58) **Field of Classification Search**
USPC D26/51, 56, 61, 63, 65; D16/135;
362/275, 287, 401, 402, 410, 413, 414
See application file for complete search history.

(56) **References Cited**

U.S. PATENT DOCUMENTS

D426,008	S	*	5/2000	Gilmer	D26/51
D505,219	S	*	5/2005	Jacquelin	D26/51
D526,340	S	*	8/2006	Hodgson	D16/135
D597,238	S	*	7/2009	Lu et al.	D26/61
D597,239	S	*	7/2009	Hodgson	
D636,513	S	*	4/2011	Furtsch	D26/51
D644,367	S	*	8/2011	Fu	D26/65
D644,368	S	*	8/2011	Fu	D26/65
D648,057	S	*	11/2011	Copeland	D26/65
D656,527	S	*	3/2012	May	D16/135
D669,626	S	*	10/2012	Huang	D26/107
D669,627	S	*	10/2012	Huang	D26/107
D688,289	S	*	8/2013	Hodgson	D16/135
D690,046	S	*	9/2013	Ng et al.	D26/65

FOREIGN PATENT DOCUMENTS

JP	D1253535	9/2005
TW	118464	9/1989
TW	D112682	8/2006
TW	D140052	4/2011

OTHER PUBLICATIONS

Taiwan Pat. Appln. Ser. No. 100 304 236 Search Report dated Feb. 13, 2012, 1 page—English, 1—page Chinese.

Taiwan Pat. Appln. Ser. No. 100 304 236 Decision on Patent Examination dated Feb. 21, 2012, 1 page—English, 2 pages—Chinese.

* cited by examiner

Primary Examiner — Ian Simmons

Assistant Examiner — Carissa C Fitts

(74) *Attorney, Agent, or Firm* — Andrew F. Young, Esq.;
Lackebach Siegel, LLP

(57) **CLAIM**

The ornamental design for a lamp, as shown and described.

DESCRIPTION

FIG. 1 is a front perspective view of the invention shown tilted in a first position.

FIG. 2 is a right side elevation view of the invention in a second position.

FIG. 3 is a top plan view of FIG. 2.

FIG. 4 is a left side elevation view of FIG. 2.

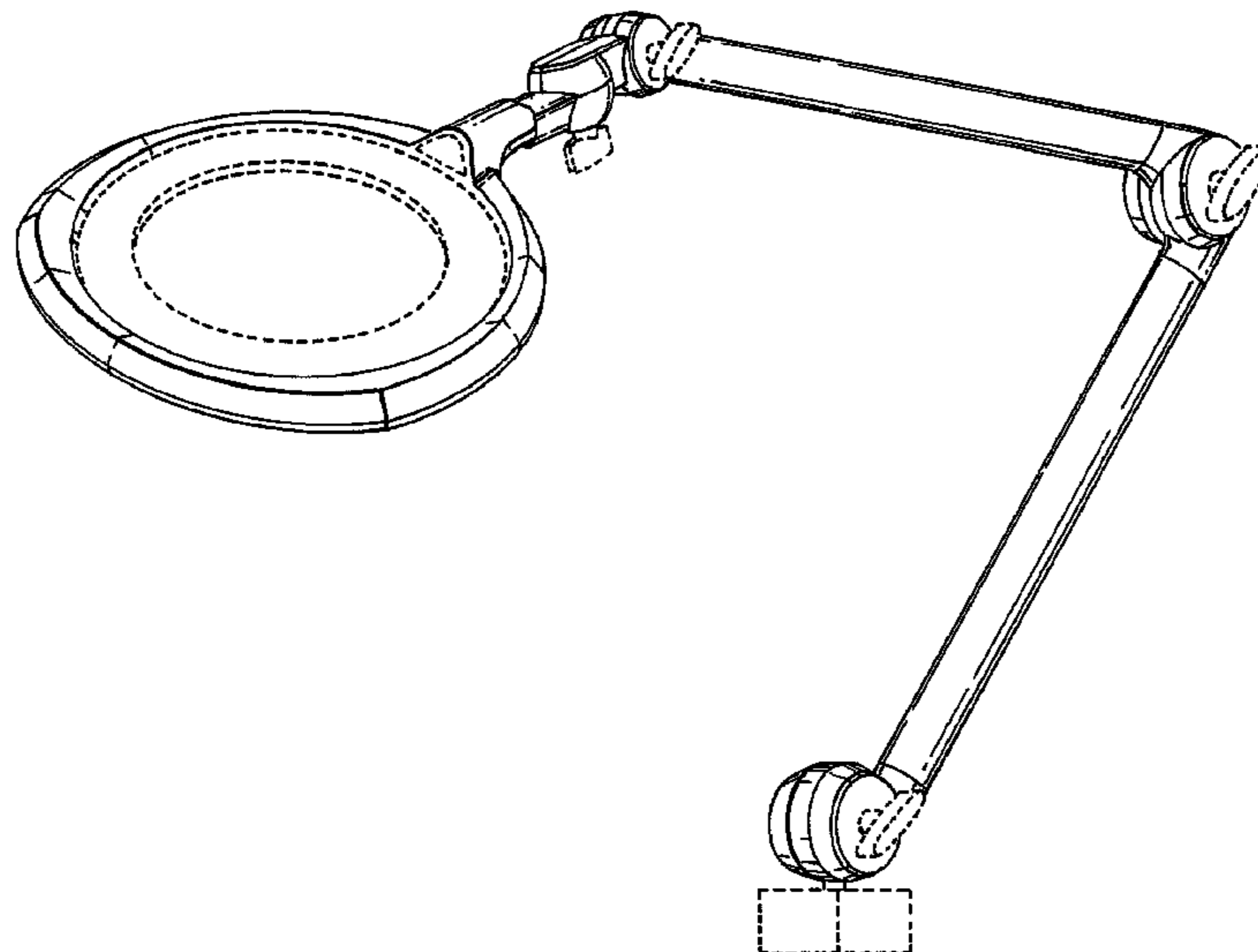
FIG. 5 is a bottom plan view of FIG. 2.

FIG. 6 is a front elevation view of FIG. 2; and,

FIG. 7 is a rear elevation view of FIG. 2.

The dashed lines indicate features which form no part of the claimed design and are for illustrative purpose only. No claim is made to the magnifying glass portion in FIGS. 1 and 2, or the noted top and bottom portions of the magnifying glass support in FIGS. 1, 3, and 5. No claim is made to the joint-fixing handles or the lamp support block feature in FIGS. 1-7.

1 Claim, 6 Drawing Sheets



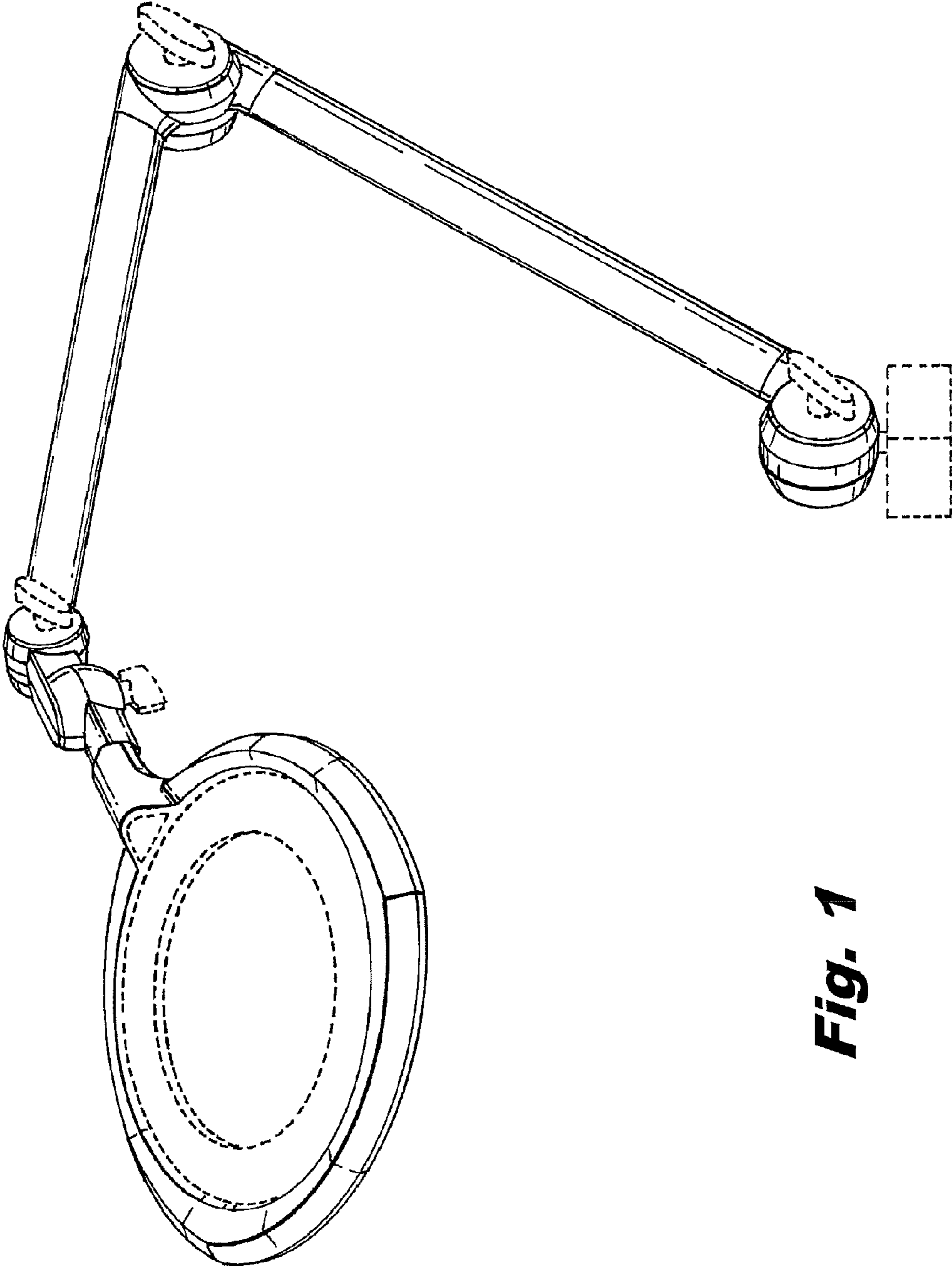


Fig. 1

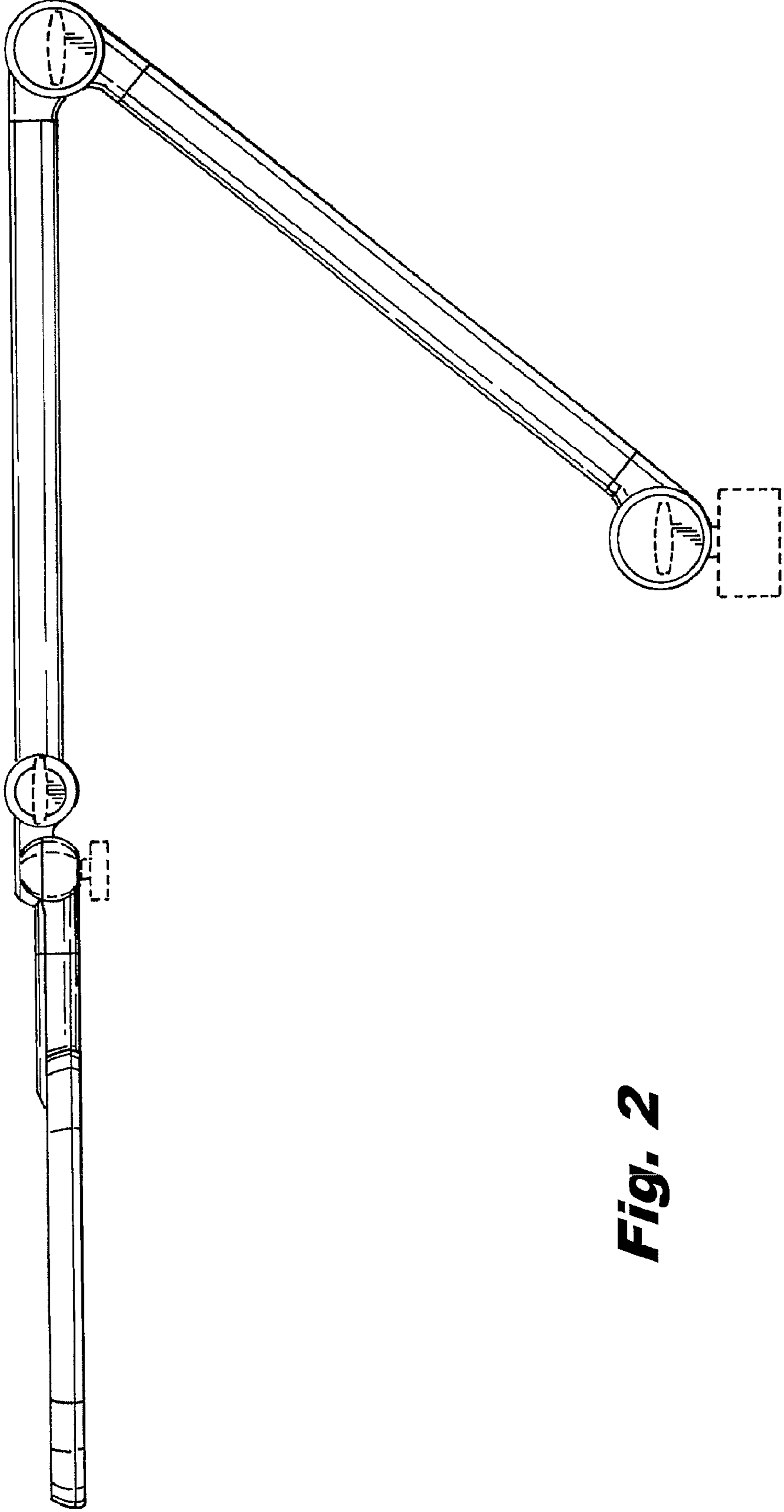


Fig. 2

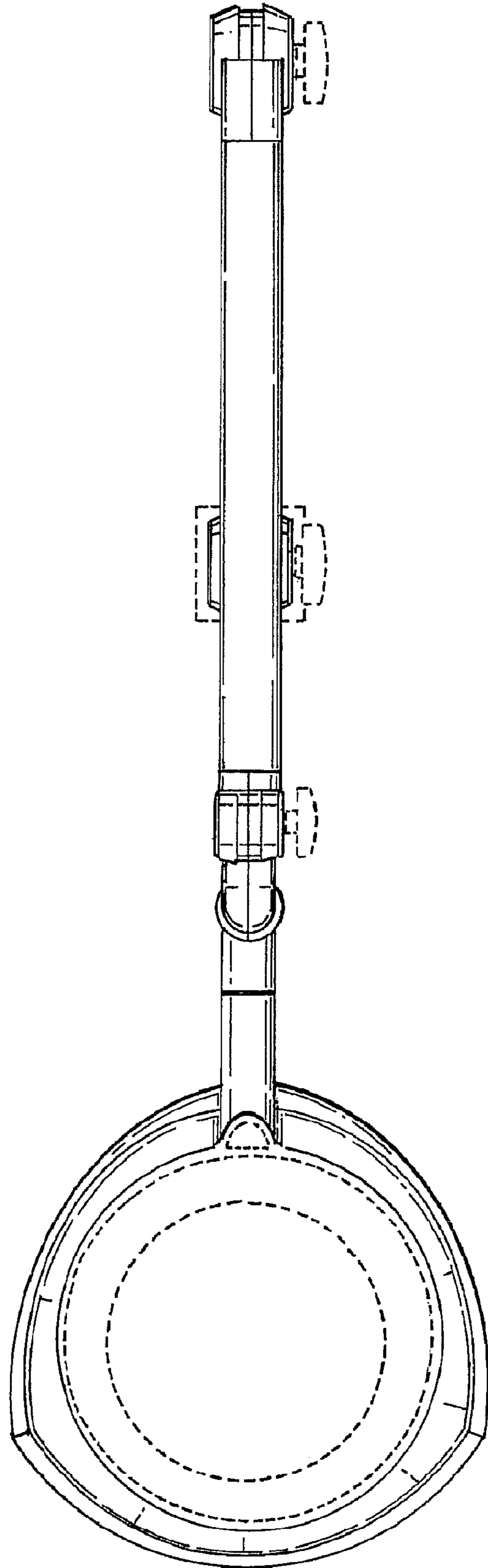


Fig. 3

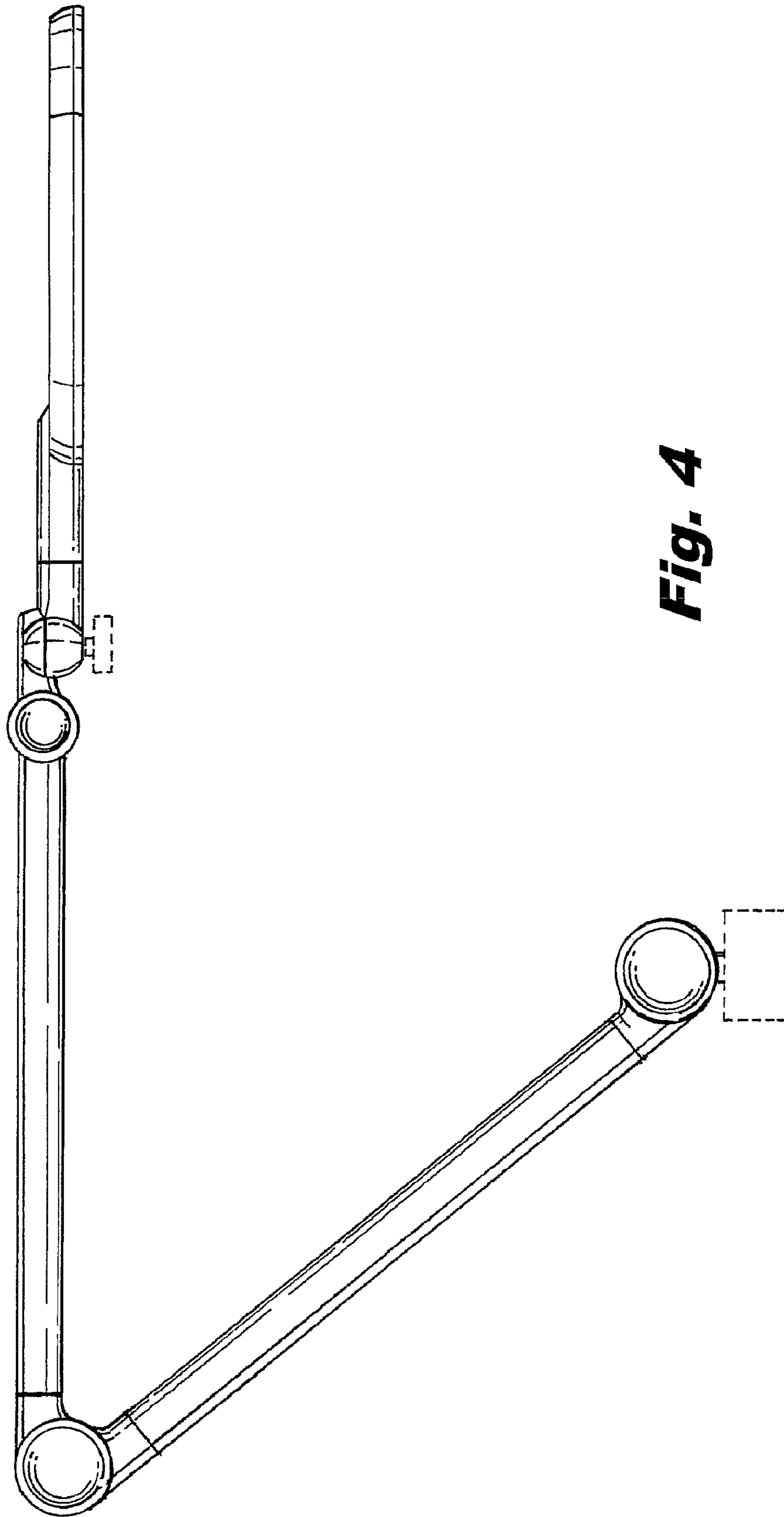


Fig. 4

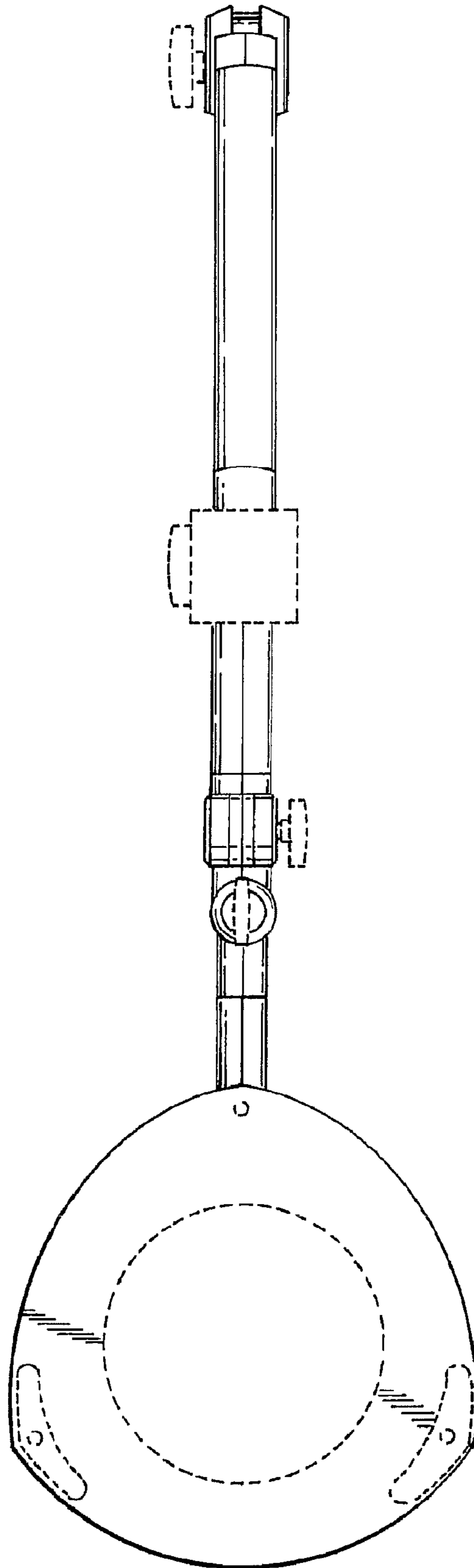


Fig. 5

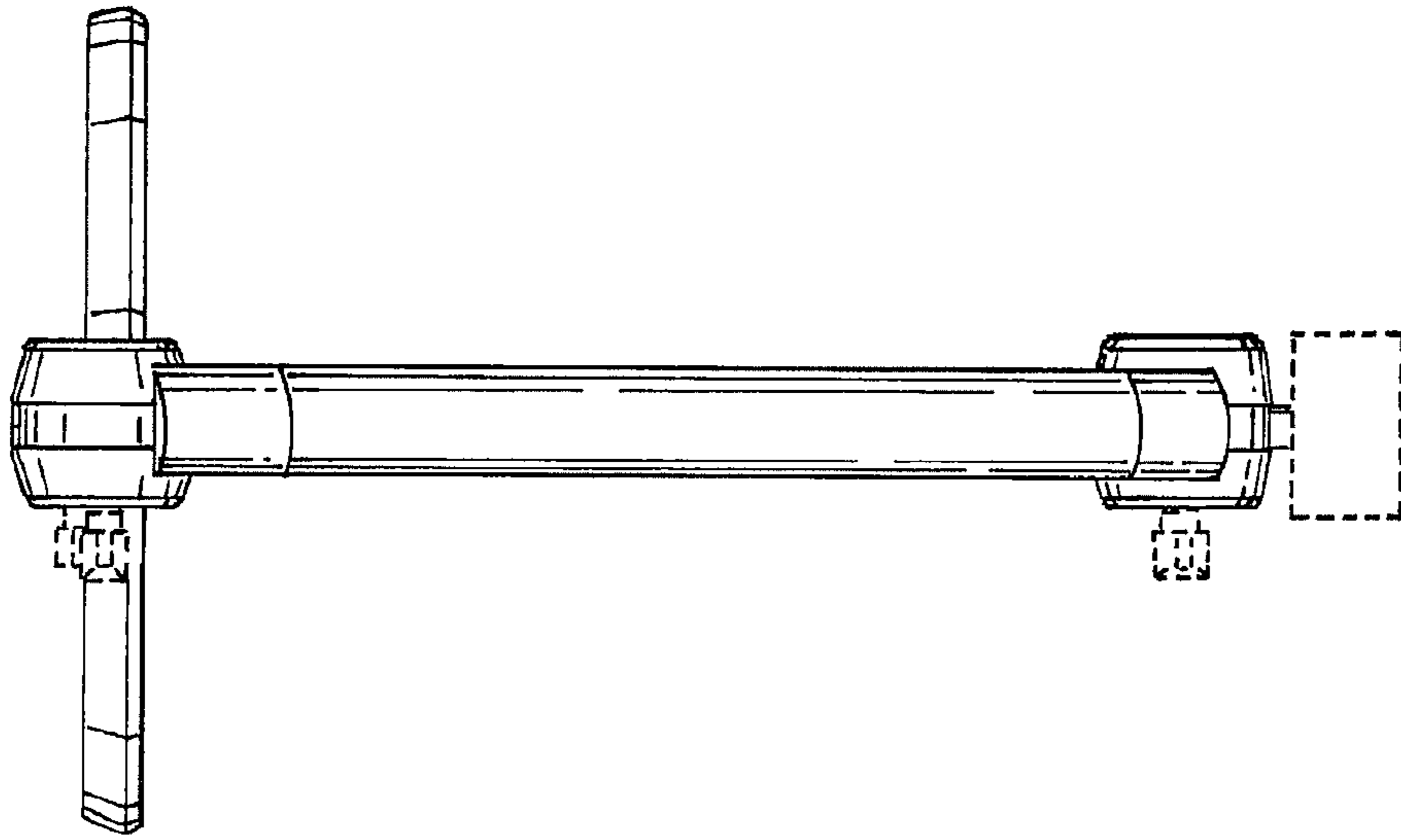


Fig. 7

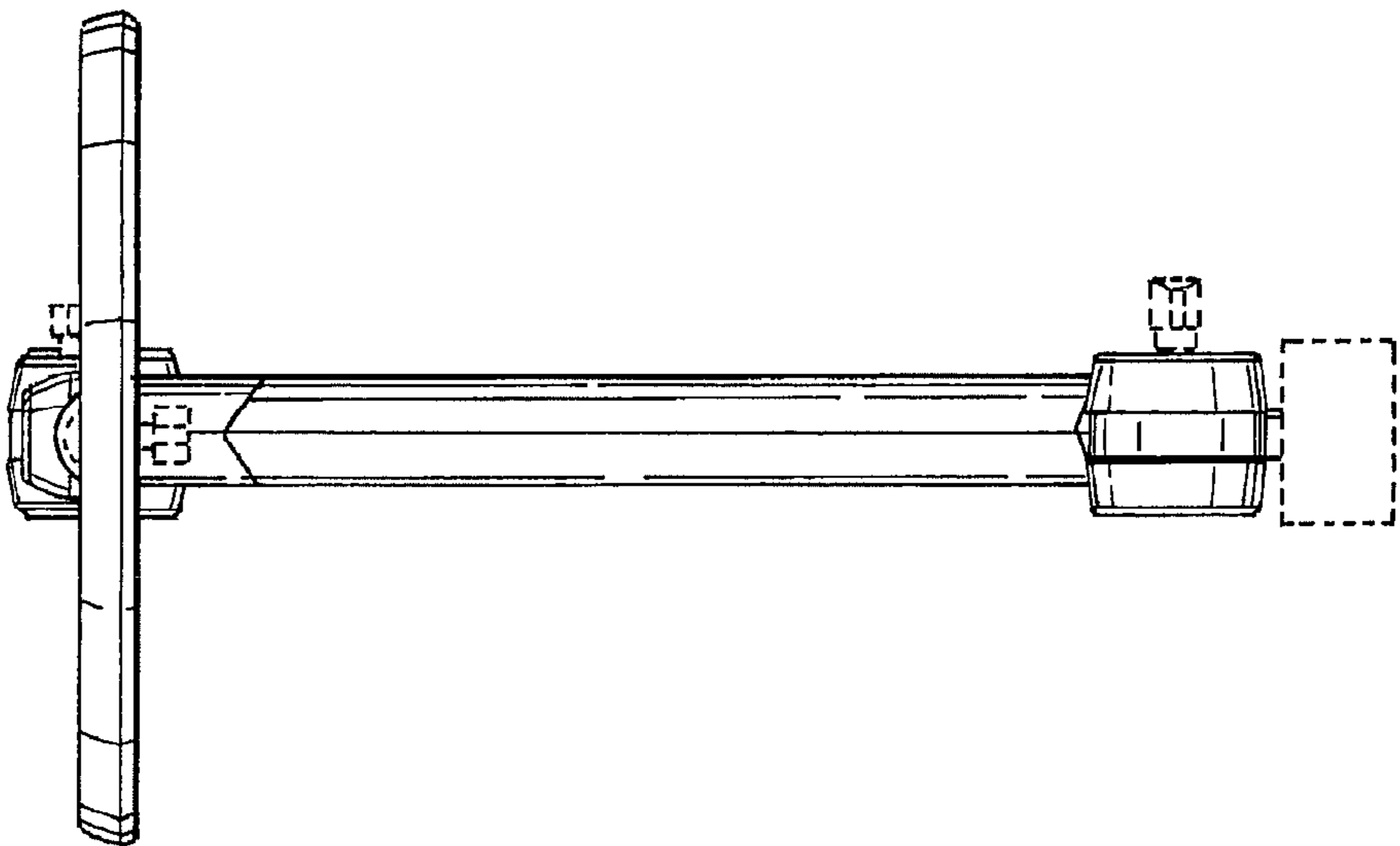


Fig. 6