



US00D698961S

(12) **United States Design Patent**
Dalton

(10) **Patent No.:** **US D698,961 S**

(45) **Date of Patent:** **** Feb. 4, 2014**

(54) **PORTABLE LIGHT**

(75) **Inventor:** **Matthew B. Dalton**, Elkins Park, PA (US)

(73) **Assignee:** **Streamlight, Inc.**, Eagleville, PA (US)

(**) **Term:** **14 Years**

(21) **Appl. No.:** **29/427,352**

(22) **Filed:** **Jul. 17, 2012**

(51) **LOC (10) Cl.** **26-02**

(52) **U.S. Cl.**
USPC **D26/49**

(58) **Field of Classification Search**
USPC D26/49, 46, 37, 38, 42, 44; 362/157,
362/158, 183, 184, 194-196, 202-208
See application file for complete search history.

(56) **References Cited**

U.S. PATENT DOCUMENTS

D481,816 S	11/2003	Sharrah	
D521,170 S *	5/2006	Craft et al.	D26/49
D521,666 S	5/2006	Chean	
D521,667 S	5/2006	Chean	
D527,476 S	8/2006	Craft	
D530,438 S *	10/2006	Maglica	D26/49
D531,746 S *	11/2006	Zhu	D26/49
D532,138 S *	11/2006	Wang et al.	D26/49
D532,543 S *	11/2006	Julius et al.	D26/49
D541,454 S *	4/2007	Galey	D26/49
D548,863 S	8/2007	Shiu	
D549,369 S	8/2007	DeBrunner	
D553,282 S *	10/2007	Zhu	D26/49
D557,838 S	12/2007	Shiu	
D557,840 S	12/2007	Shiu	
D564,116 S *	3/2008	Linardos	D26/49
D565,770 S	4/2008	Shiu	

(Continued)

OTHER PUBLICATIONS

Streamlight, PT Series Professional Tactical Lights, 2 pages, Feb. 2010.

(Continued)

Primary Examiner — Ian Simmons

Assistant Examiner — Carissa C Fitts

(74) *Attorney, Agent, or Firm* — Clement A. Berard, Esq.;
Dann, Dorfman, Herrell & Skillman, PC

(57) **CLAIM**

The ornamental design for a portable light, substantially as shown and described.

DESCRIPTION

FIG. 1 is a perspective view of an ornamental design for a portable light as seen from a first end thereof;

FIG. 2 is a perspective view of the design for a portable light as seen from a second end thereof;

FIG. 3 is a side view of a first side of the design for a portable light;

FIG. 4 is a side view of a second side of the design for a portable light viewed 90 degrees rotated from FIG. 3;

FIG. 5 is a side view of a third side of the design for a portable light viewed 180 degrees rotated from FIG. 4;

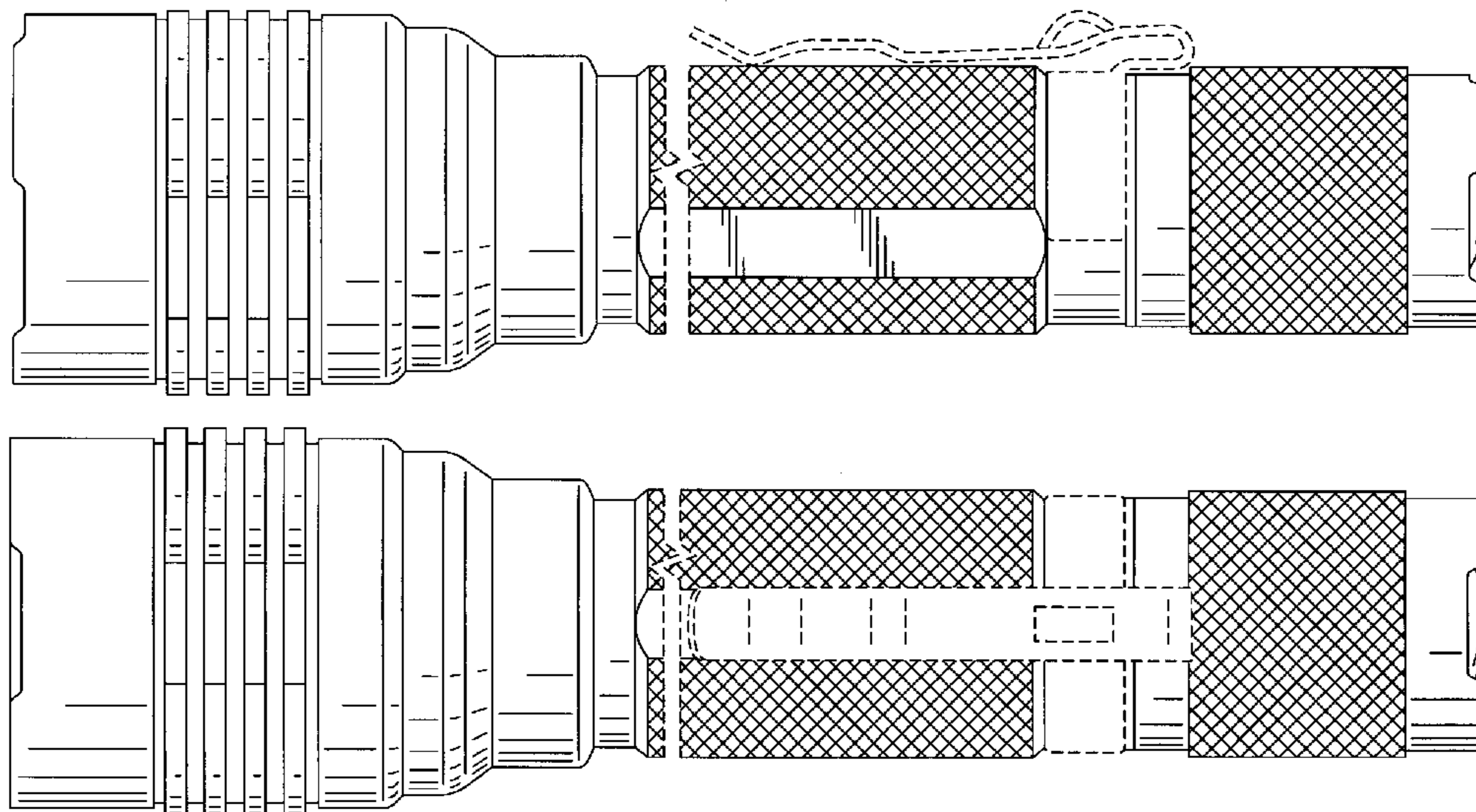
FIG. 6 is an end view of a first end of the design for a portable light; and,

FIG. 7 is an end view of a second end of the design for a portable light.

Break lines in FIGS. 1-5 are applied to show indeterminate length, and undisclosed portions of the portable light not shown in the drawings form no part of the claimed design.

Broken lines in the illustrations of the DRAWING indicate unclaimed parts of the article that are not part of the design illustrated and claimed herein. The claimed design includes only those portions of the portable light that are shown in solid lines.

1 Claim, 6 Drawing Sheets



(56)

References Cited

U.S. PATENT DOCUMENTS

D566,309	S	4/2008	Kornfeld et al.	
D568,515	S	5/2008	Liu	
D572,395	S	7/2008	Guelzow et al.	
D574,982	S	8/2008	Lau	
D576,757	S *	9/2008	Hesse et al.	D26/49
D577,845	S *	9/2008	Shiu	D26/49
D578,236	S *	10/2008	Dalton	D26/49
D586,025	S	2/2009	Bonis	
D586,489	S	2/2009	Shiu	
D595,440	S *	6/2009	Rivera et al.	D26/49
D603,988	S	11/2009	Sharrah	
D603,989	S	11/2009	Gardner et al.	
D622,428	S	8/2010	Crawford	
D629,542	S	12/2010	Robinson	
D629,544	S	12/2010	Deguglimo et al.	
D629,940	S *	12/2010	Osterhout	D26/49
D643,561	S *	8/2011	Maglica	D26/49
D647,232	S	10/2011	Liu	
D647,654	S	10/2011	Li	
D655,027	S	2/2012	Milz et al.	
D668,806	S *	10/2012	Chapman et al.	D26/49
D674,943	S *	1/2013	Sheikh et al.	D26/38
D675,358	S *	1/2013	Brands et al.	D26/49
D683,877	S *	6/2013	Brands et al.	D26/49
D685,940	S *	7/2013	Lee	D26/49
D688,402	S *	8/2013	Roshak et al.	D26/49
2009/0323344	A1	12/2009	Crawford	

OTHER PUBLICATIONS

Streamlight, NightFighter LED Flashlight, 1 page, Sep. 2009.
 Streamlight, Stylus Pro Alkaline Battery-Powered LED Pen Light, 1 page, Apr. 2007.
 Streamlight, Stylus Series, Stylus Pro, www.streamlight.com/product/product, 4 pages, 2010.

Streamlight, Product Fact Sheet, Streamlight Stylus Pro LED Flashlight, 1 page, Nov. 2007, 2008.
 Streamlight, Polystylus Ultra-Tough Fiberglass Penlight, 2 pages, Feb. 2009.
 Streamlight, Stylus Series, PolyStylus, www.streamlight.com/product/product, 4 pages, Mar. 15, 2010.
 Energizer, Lighting products, 3 sheets, 2010.
 Streamlight, TL-2 L Shock-Proof Flashlight, 2 pages, Aug. 2007.
 Streamlight, TL-3 LED Flashlight, 2 pages, Aug. 2007.
 Streamlight, Tactical Hand-Held Series, 4 pages, 2010.
 Eveready Industries India Ltd., “Flashlights—digiLED Torches”, 2 pages, © 2009, <http://www.evereadyindustries.com/business/flashlights/led-torches.asp>.
 Eveready Industries India Ltd., “Flashlights—Aluminium & Plastic Torches”, 2 pages, © 2009, <http://www.evereadyindustries.com/business/flashlights/aluminium-plastic.asp>.
 4SEVENS, “Products meeting the search criteria [‘quark’]” and pages for “Neutral White Quark 123²”, “Neutral White Quark AA²”, and “Quark Regular Titanium Collector’s Set”, 23 pages, © 2010, <http://www.4sevens.com/>. . . .
 4SEVENS, “Fenix Lights” and pages for “Fenix E20”, “Fenix Digital LD10+”, “Fenix Digital LD20+”, “Fenix PD20+”, and “Fenix PD30+ R4 Edition”, 19 pages, © 2010, <http://www.4sevens.com/>. . . .
 Fenix Light, Fenix’s Homepages: “New Products”, and pages for “E21 Neutral White”, “LD20 R4”, “LD10 R4”, “PD30 R4”, “PD30”, “LD20”, “TK12”, and “L Series”, 46 pages, © 2007, <http://www.fenixlight.com/>. . . .
 Gregory A. Roshak et al., “Portable Light—U.S. Appl. No. 29/357,211” filed Mar. 9, 2010, 11 pages.
 Streamlight, Inc., “ProTac HL—High Lumen Tactical Light”, printed Jun. 18, 2012, 5 pages, www.streamlight.com/product/product.aspx?pid=254.

* cited by examiner

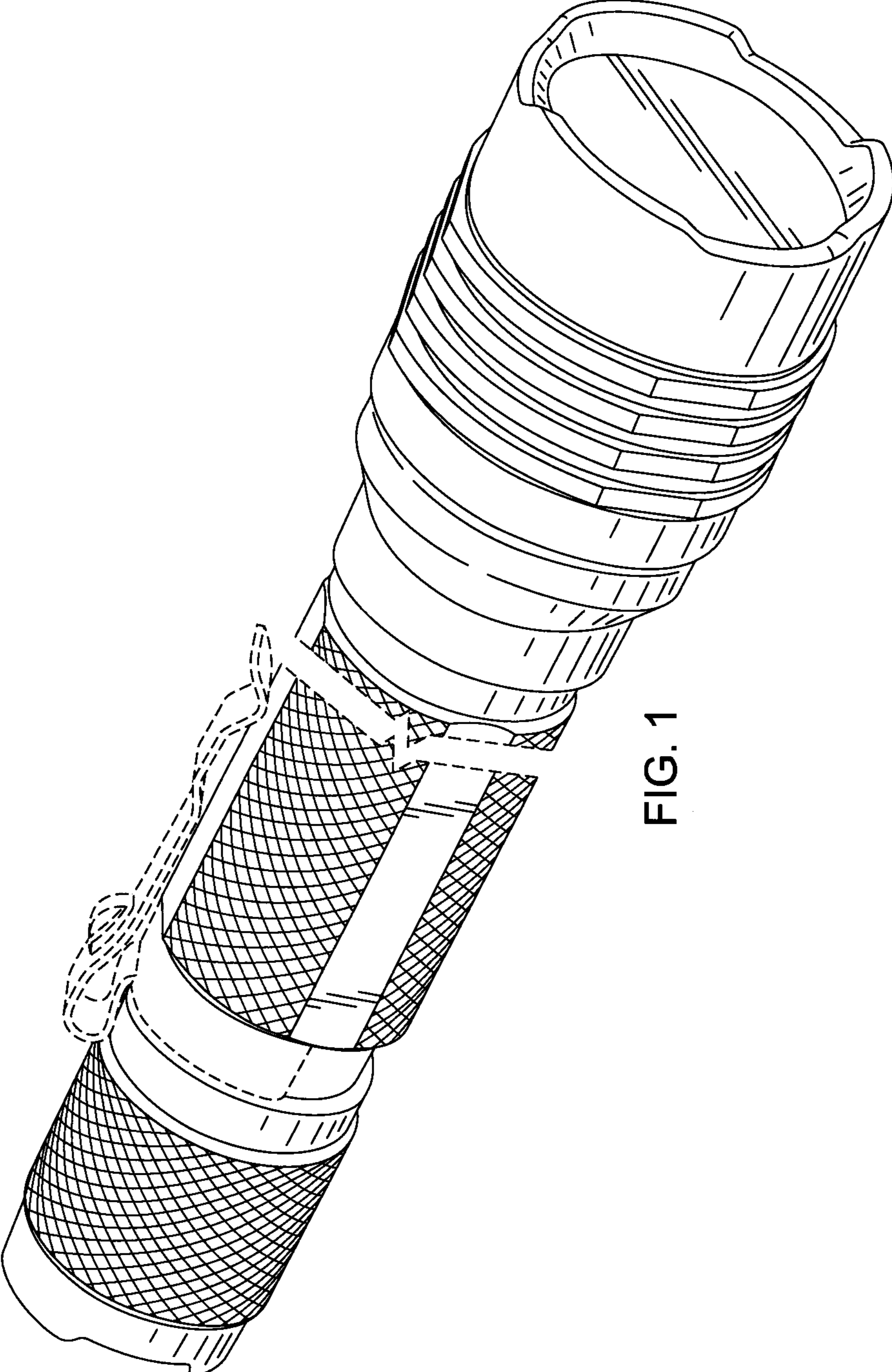


FIG. 1

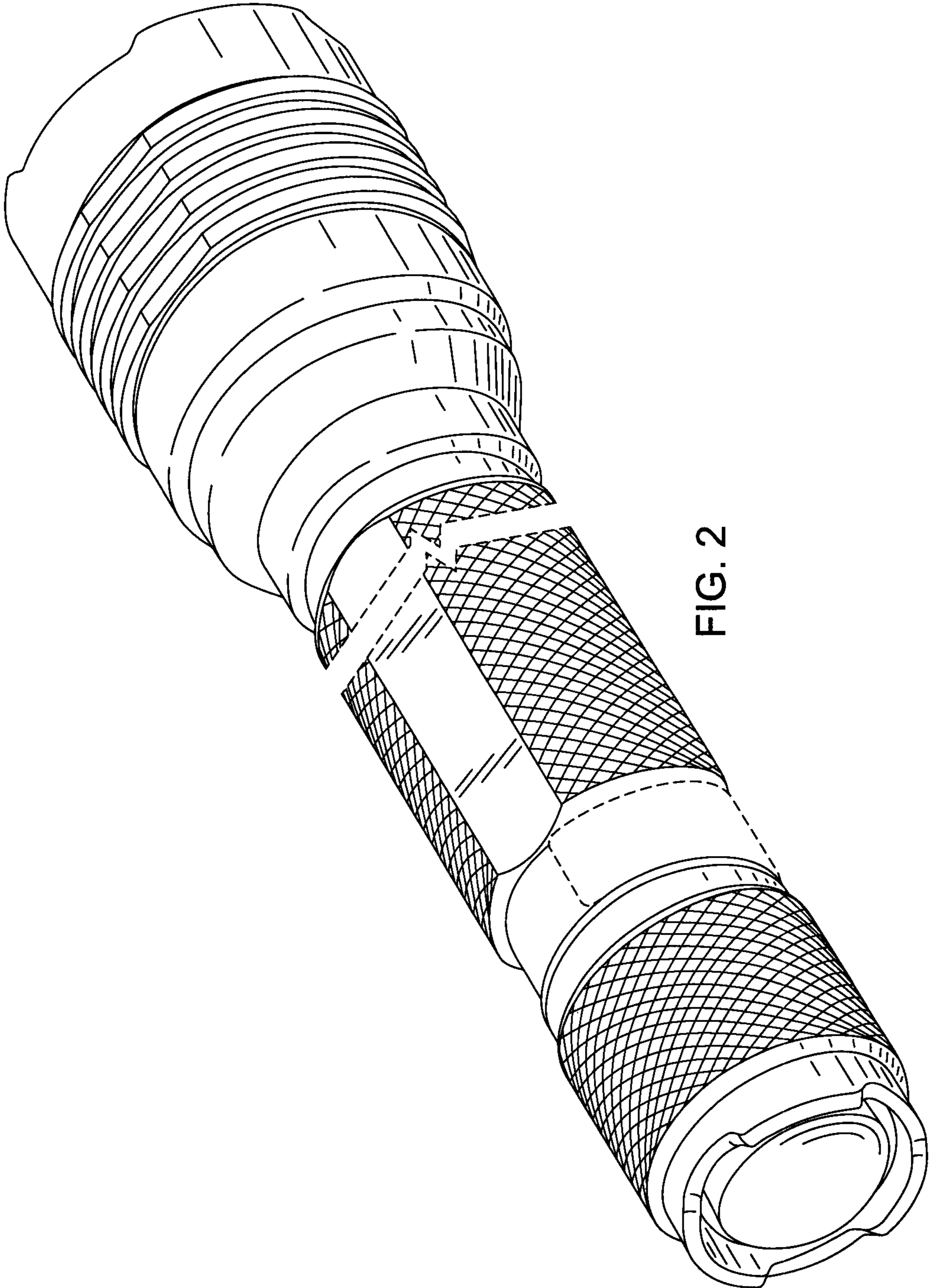


FIG. 2

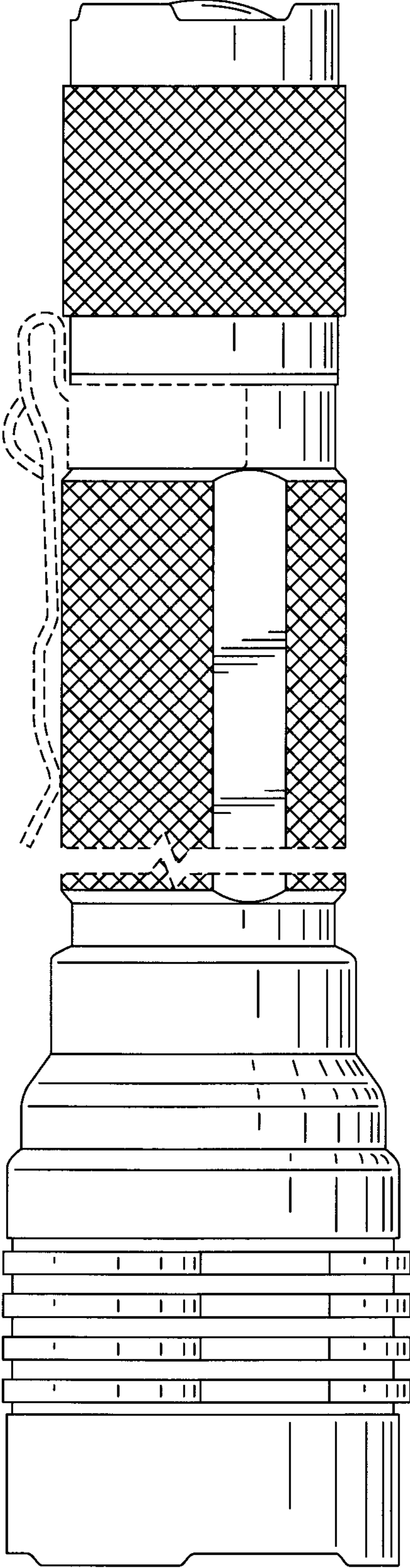


FIG. 3

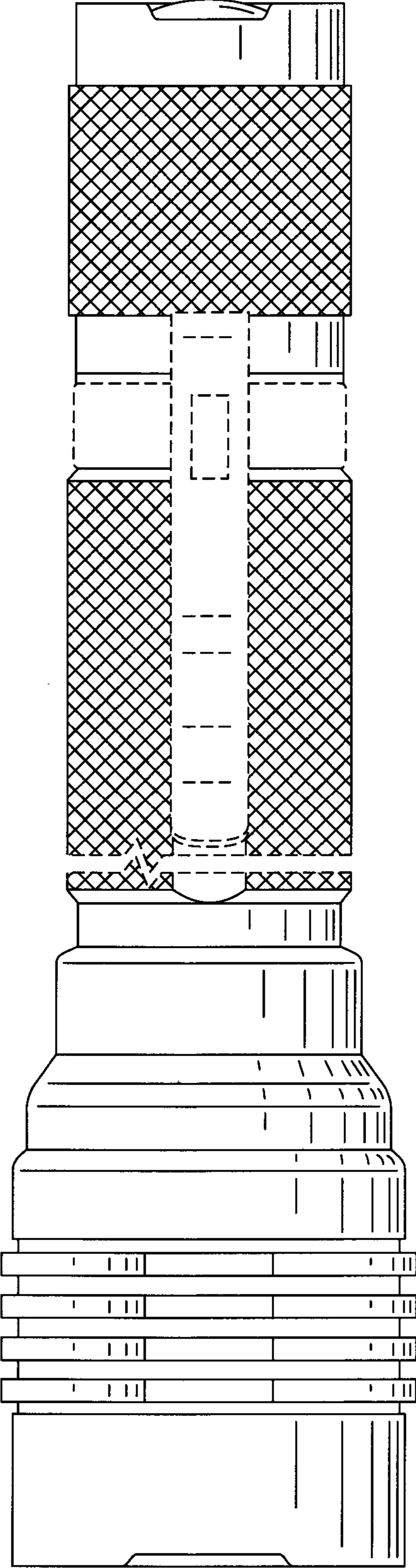


FIG. 4

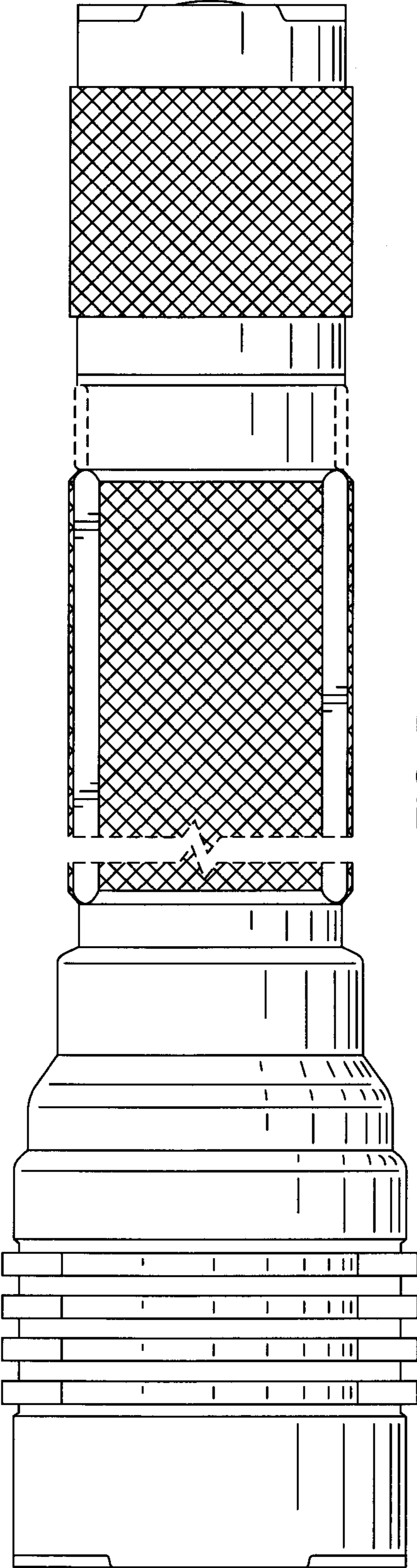


FIG. 5

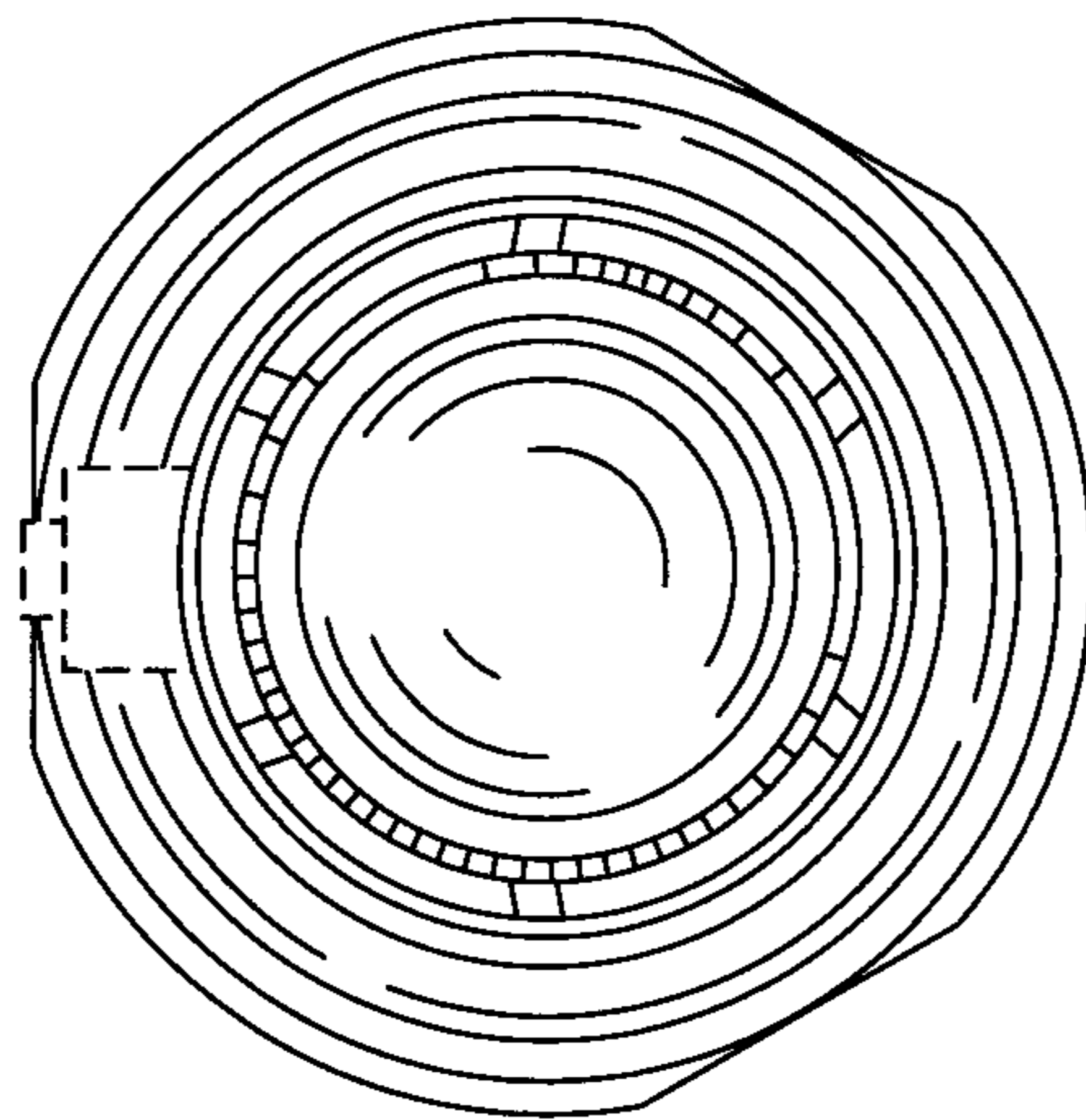


FIG. 7

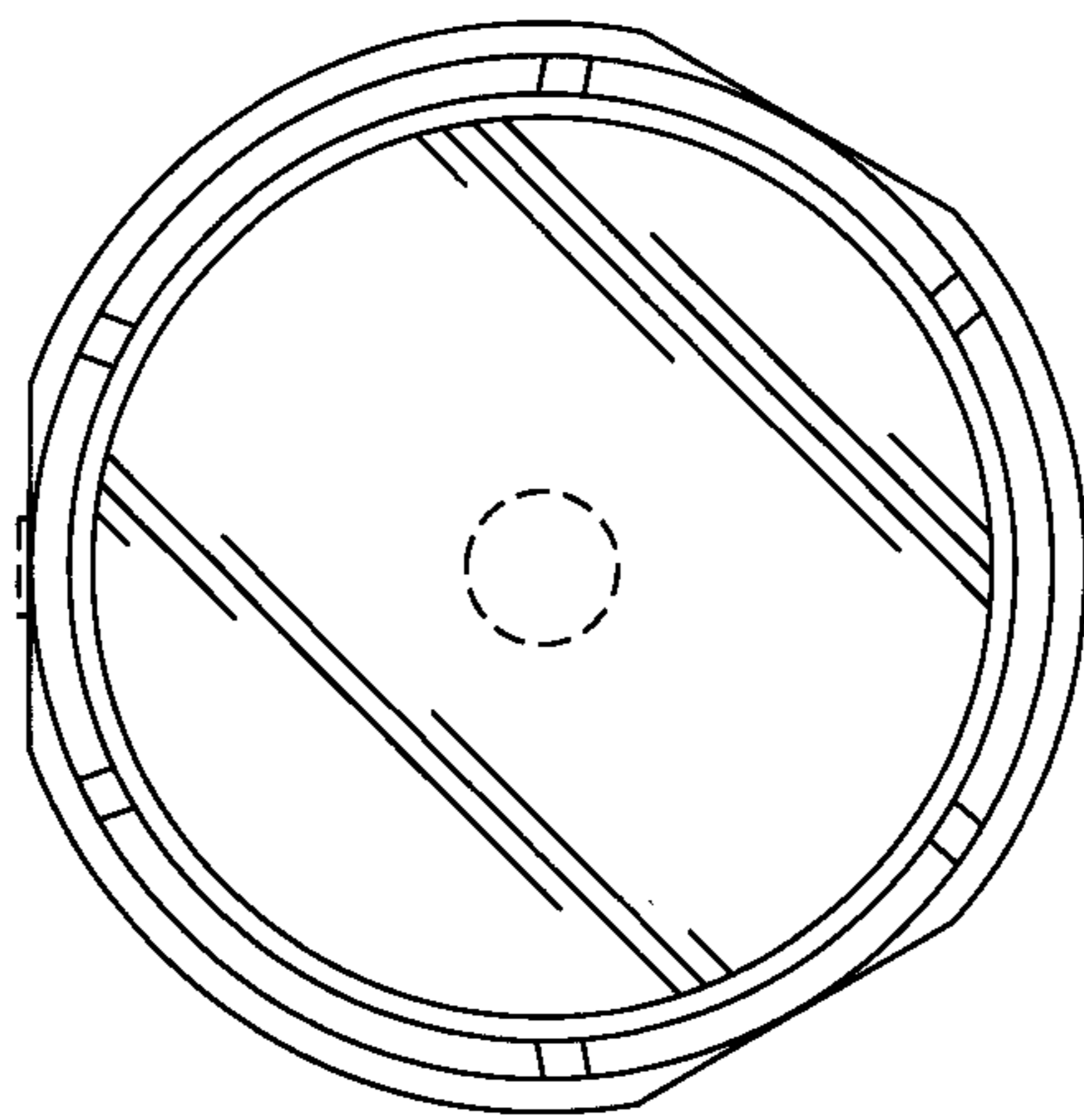


FIG. 6