



US00D698959S

(12) **United States Design Patent**
Shen

(10) **Patent No.:** **US D698,959 S**

(45) **Date of Patent:** **** Feb. 4, 2014**

(54) **WORKING LIGHT**

(75) Inventor: **Guilian Shen**, Ningbo (CN)

(73) Assignee: **Ningbo Taiweite Electric Appliance Co., Ltd**, Ningbo (CN)

(**) Term: **14 Years**

(21) Appl. No.: **29/428,094**

(22) Filed: **Jul. 26, 2012**

(30) **Foreign Application Priority Data**

Apr. 13, 2012 (CN) 2012 3 0108292

(51) **LOC (10) Cl.** **26-02**

(52) **U.S. Cl.**
USPC **D26/46**

(58) **Field of Classification Search**
USPC D26/37, 38, 42, 44, 46, 49; 362/157,
362/158, 183, 184, 194-196, 202-208
See application file for complete search history.

(56) **References Cited**

U.S. PATENT DOCUMENTS

D428,173 S *	7/2000	Lynch et al.	D26/42
D477,432 S *	7/2003	Parsons	D26/37
D491,300 S *	6/2004	Cormier et al.	D26/37
D491,301 S *	6/2004	Chen	D26/37
D500,376 S *	12/2004	Cormier et al.	D26/37
D505,217 S *	5/2005	Bayat et al.	D26/42

D567,977 S *	4/2008	Jianwei	D26/42
D567,978 S *	4/2008	Jianwei	D26/42
D598,151 S *	8/2009	McGraw	D26/49
D606,688 S *	12/2009	Ma	D26/46
D620,163 S *	7/2010	Kang et al.	D26/49
D620,627 S *	7/2010	Kovacik et al.	D26/42
D628,727 S *	12/2010	Risch et al.	D26/49
D640,400 S *	6/2011	Huang	D26/49

* cited by examiner

Primary Examiner — Ian Simmons

Assistant Examiner — Carissa C Fitts

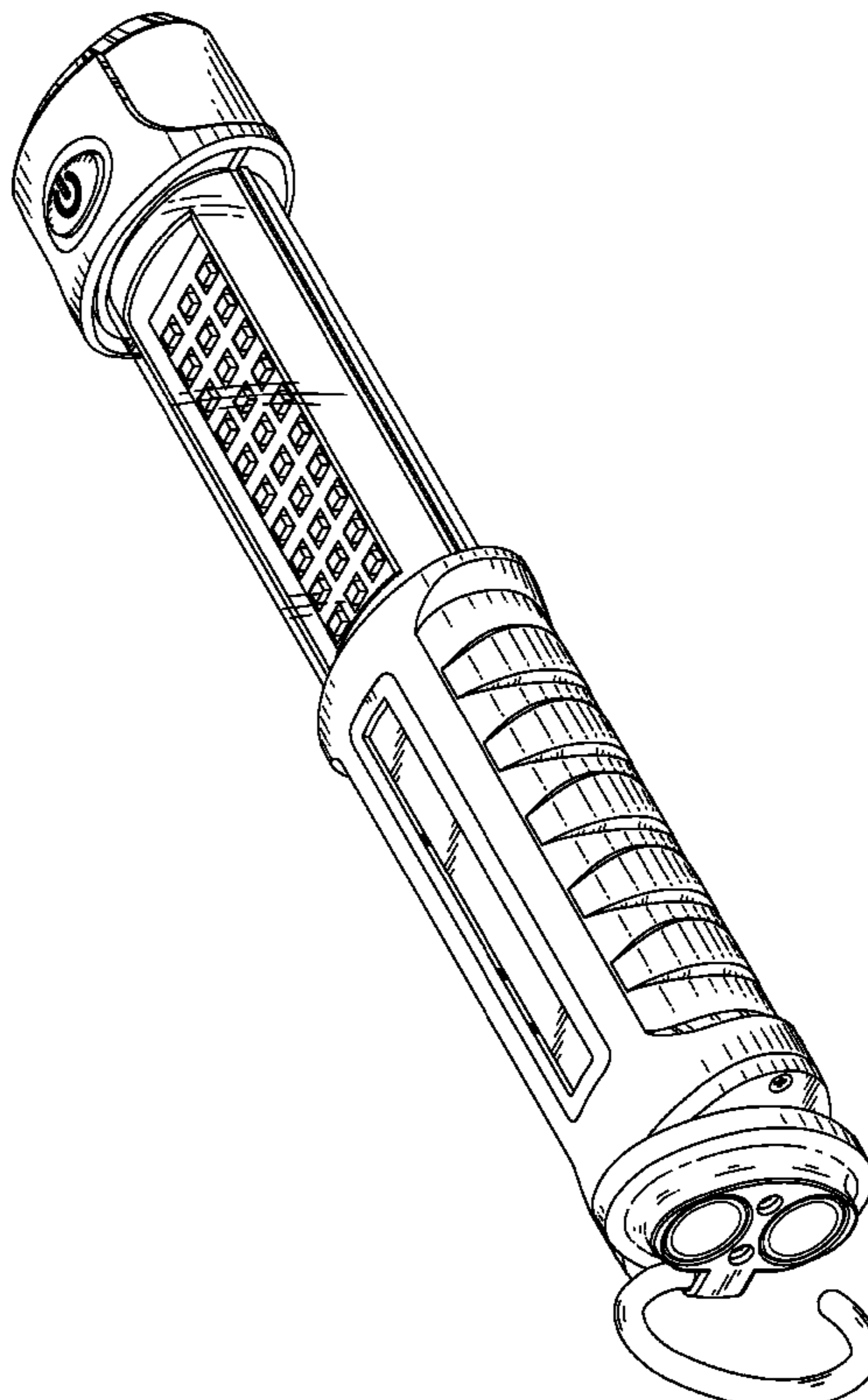
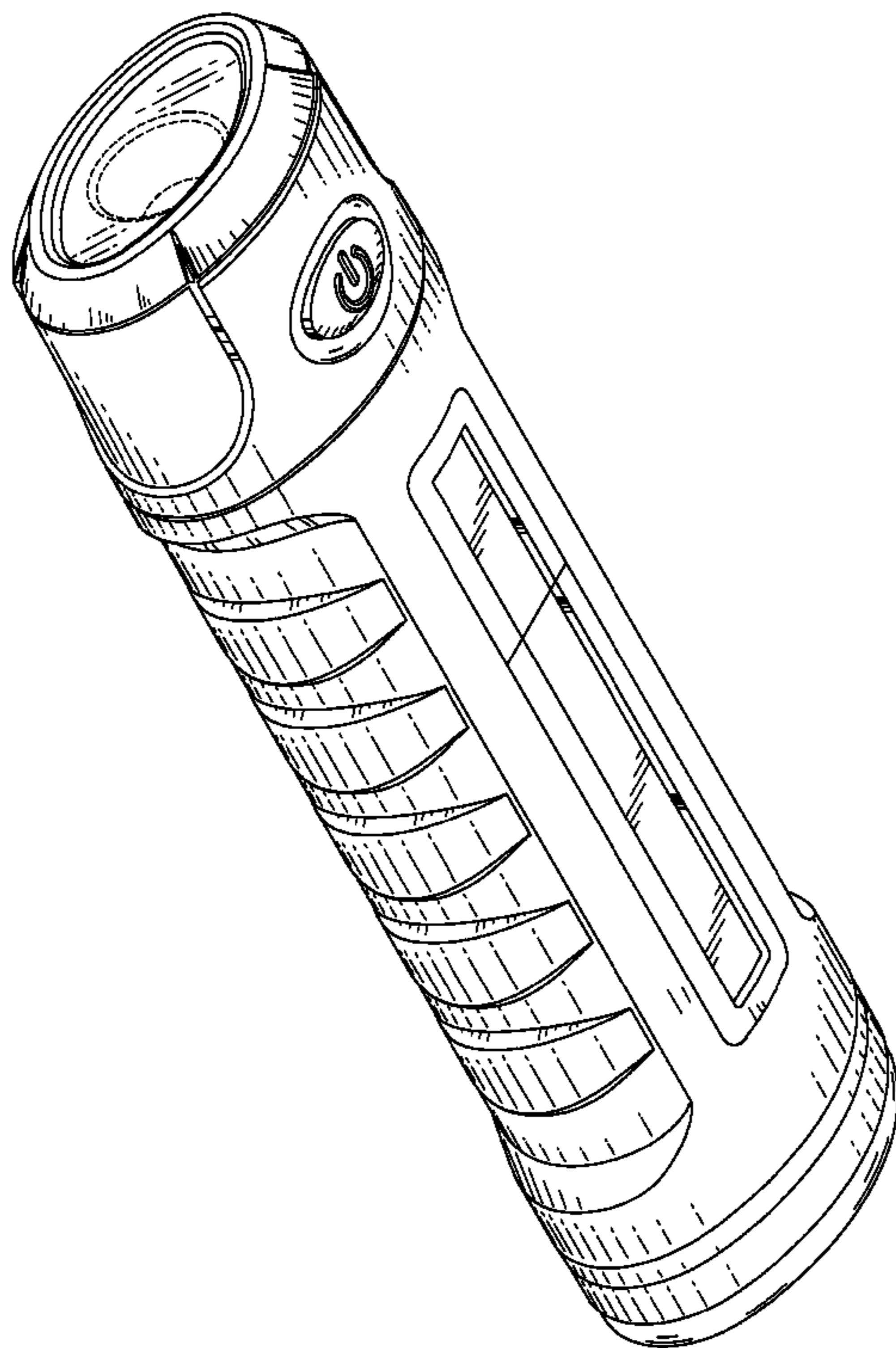
(57) **CLAIM**

The ornamental design for a working light, as shown and described.

DESCRIPTION

FIG. 1 is a front view of a working light of my new design; FIG. 2 is a rear view of the working light thereof; FIG. 3 is a top view of the working light thereof; FIG. 4 is a bottom view of the working light thereof; FIG. 5 is a left view of the working light thereof; FIG. 6 is a right view of the working light thereof; FIG. 7 is a perspective view of the working light thereof; FIG. 8 is a perspective view of the working light thereof with the light shown in an extended position; FIG. 9 is a perspective view of the working light thereof with the hook detail in an extended position; and, FIG. 10 is a perspective view of the working light thereof with the end cap detail shown in a rotated position. The broken line showing is for environmental purposes only and forms no part of the claimed design.

1 Claim, 10 Drawing Sheets



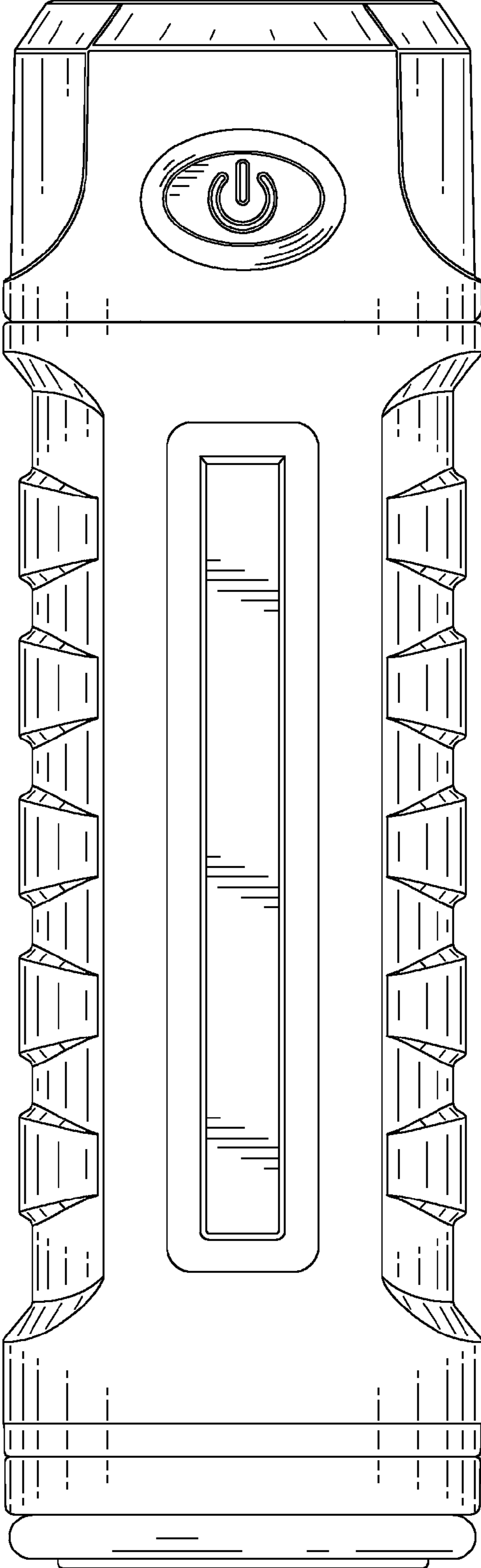


FIG.1

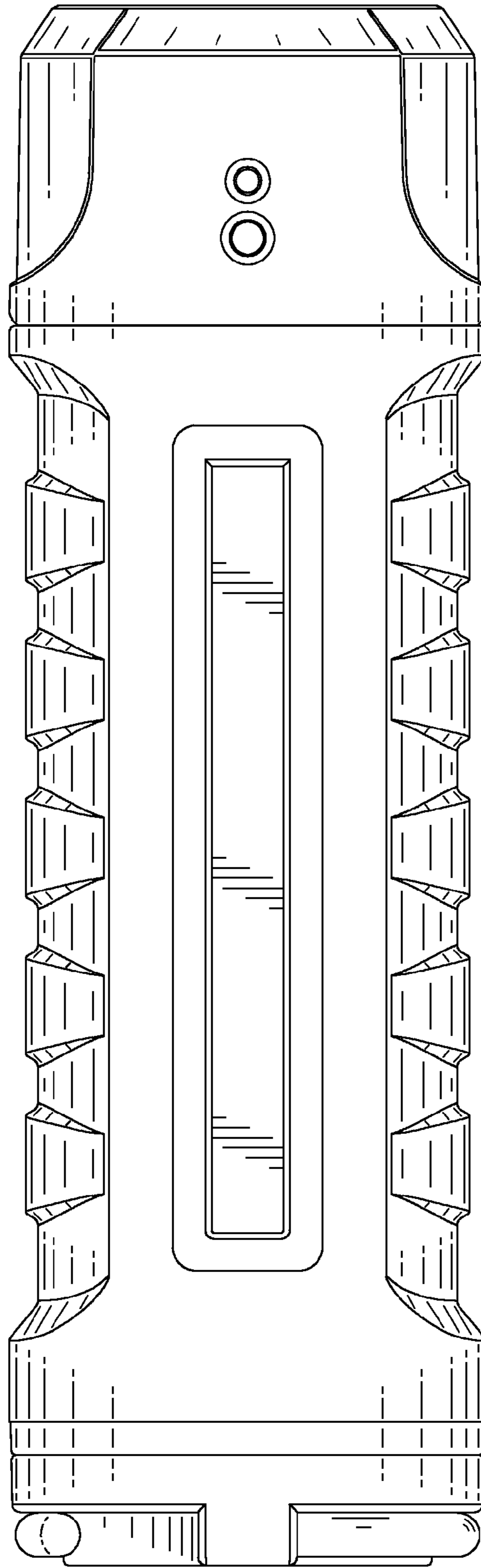


FIG. 2

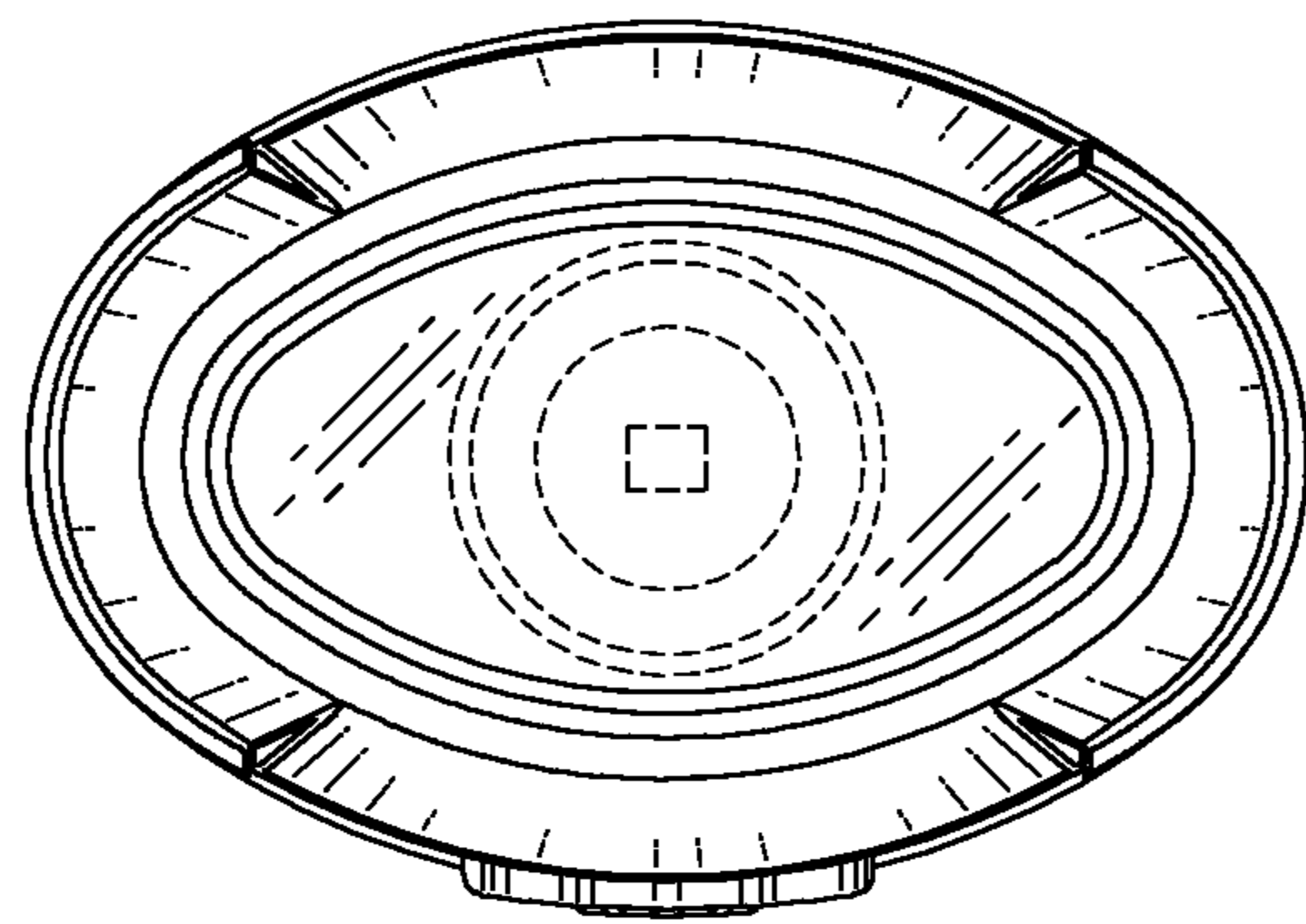


FIG. 3

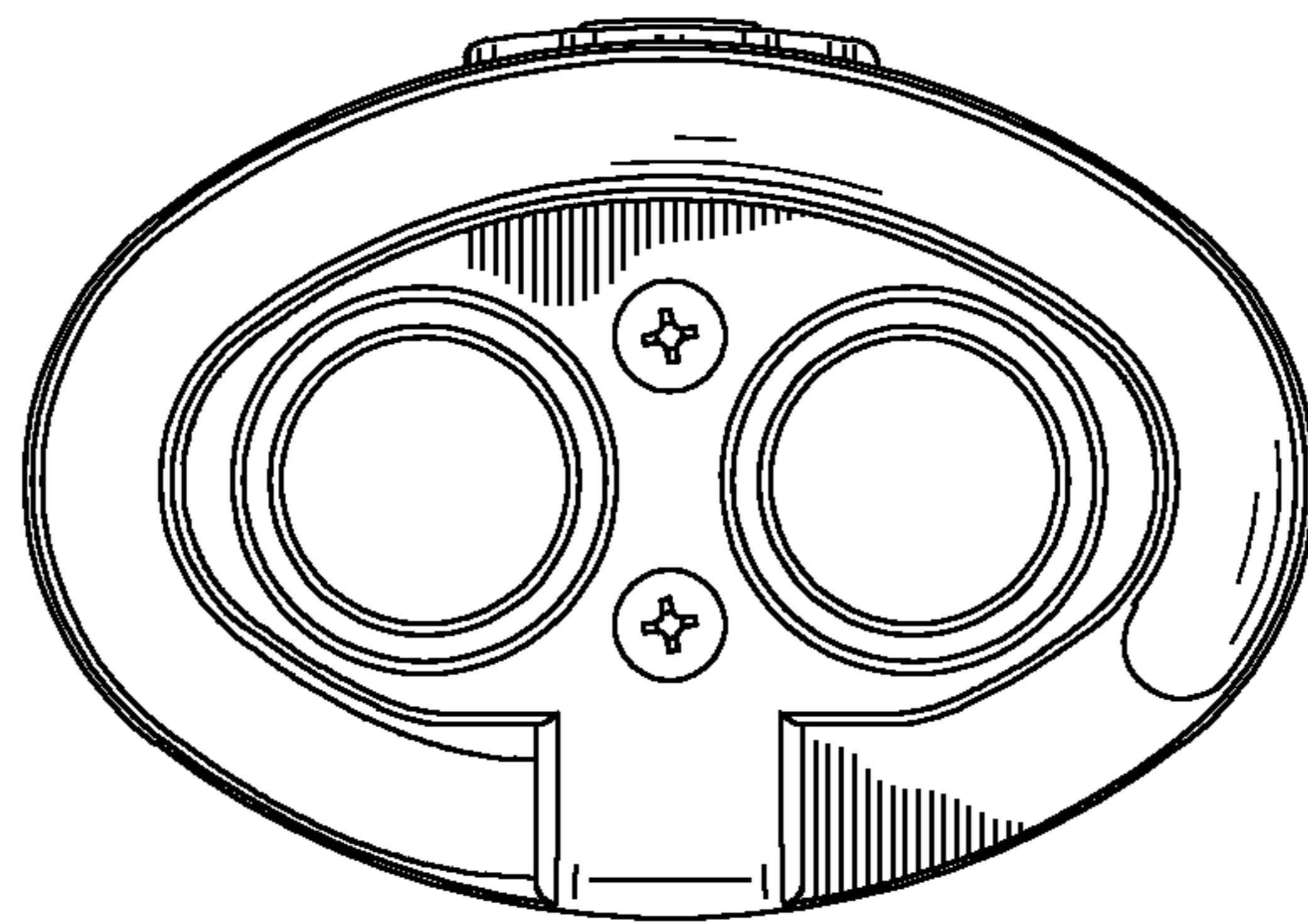


FIG. 4

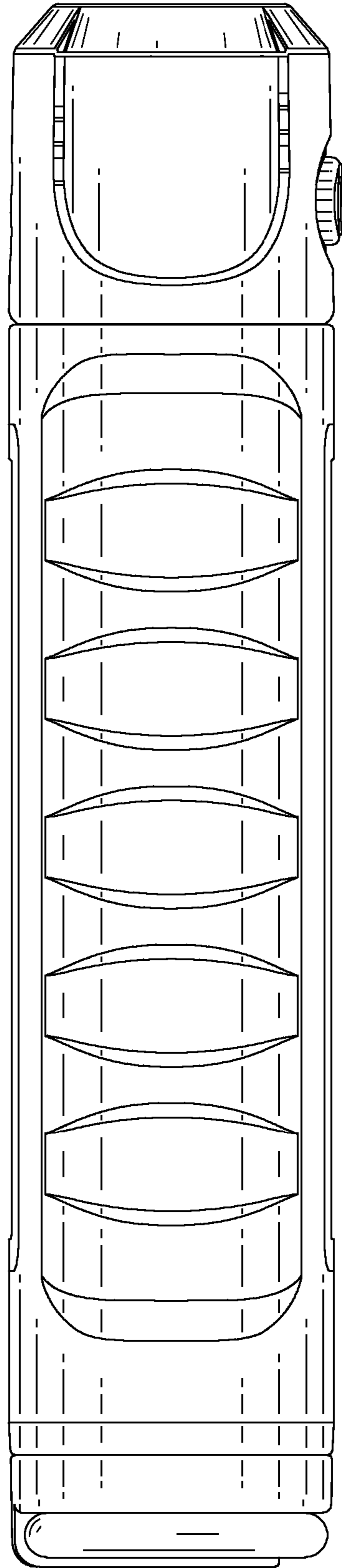


FIG.5

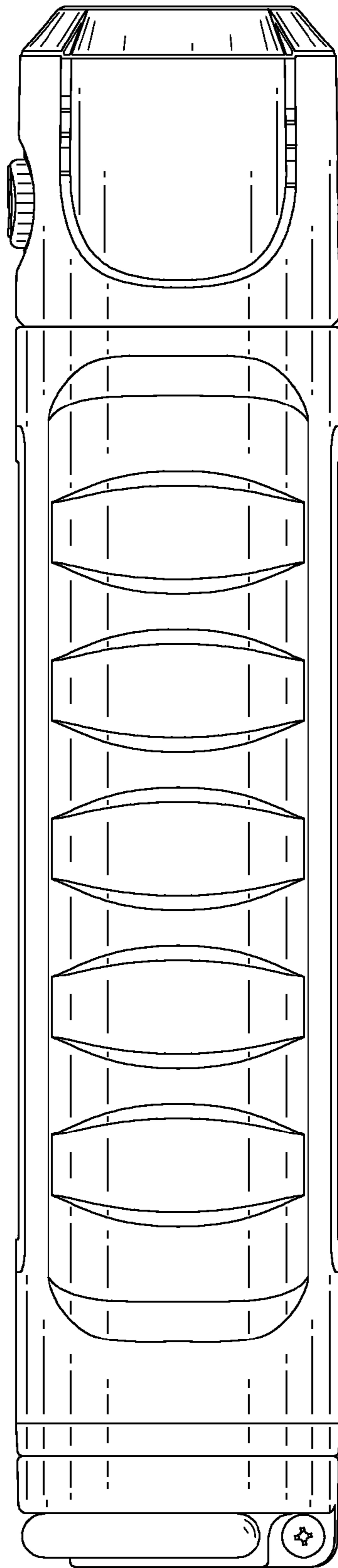


FIG.6

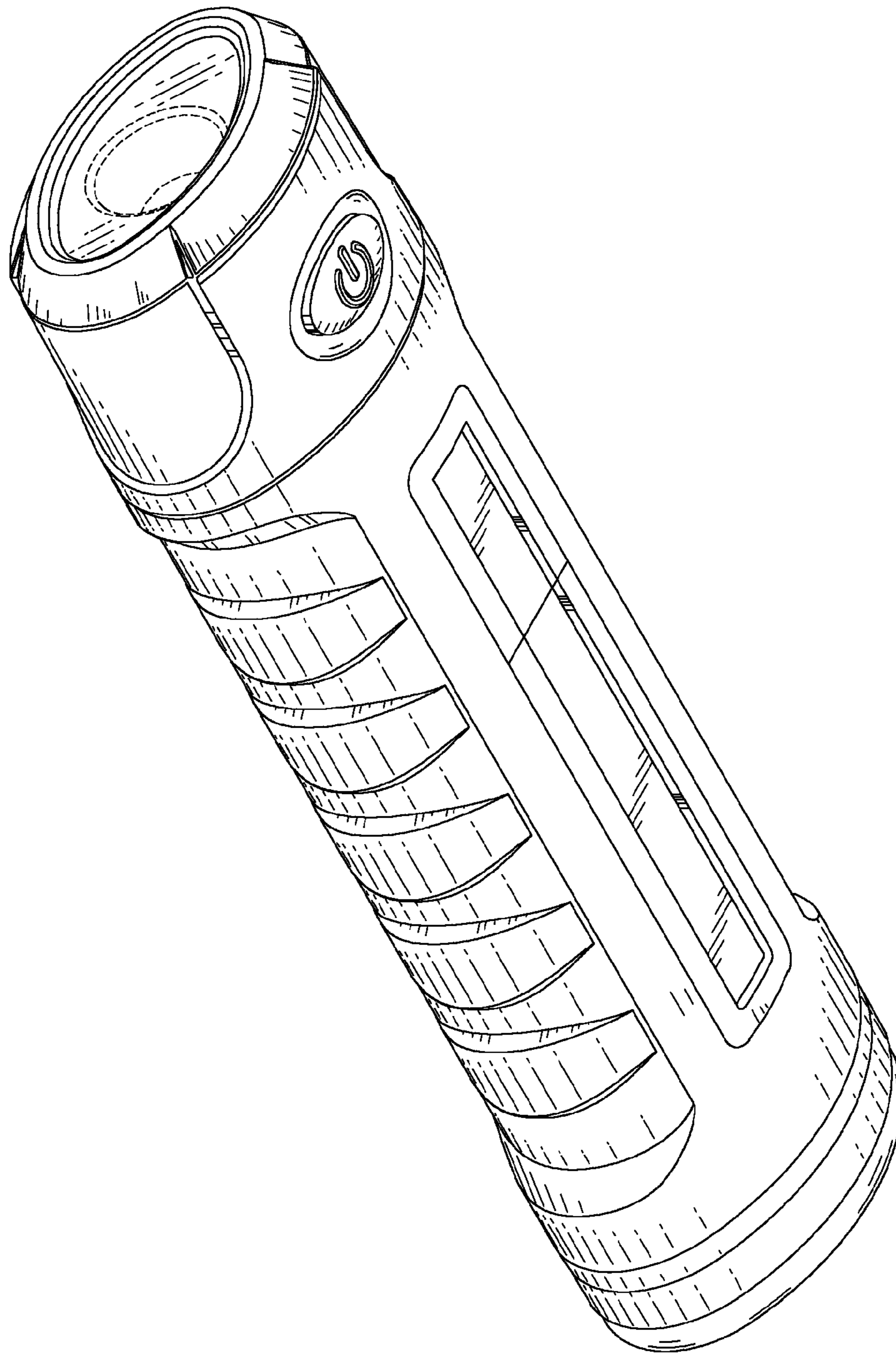


FIG. 7

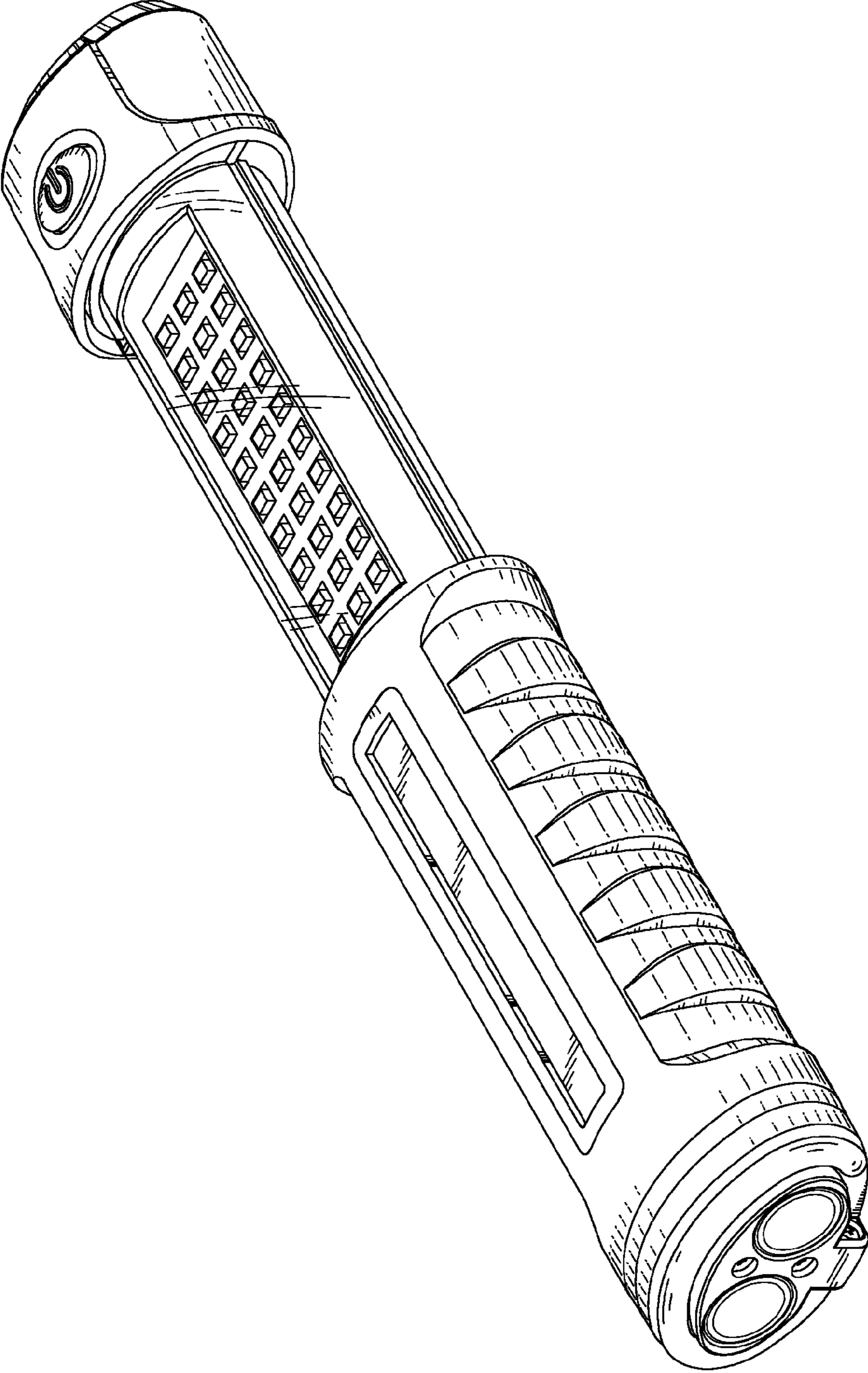


FIG. 8

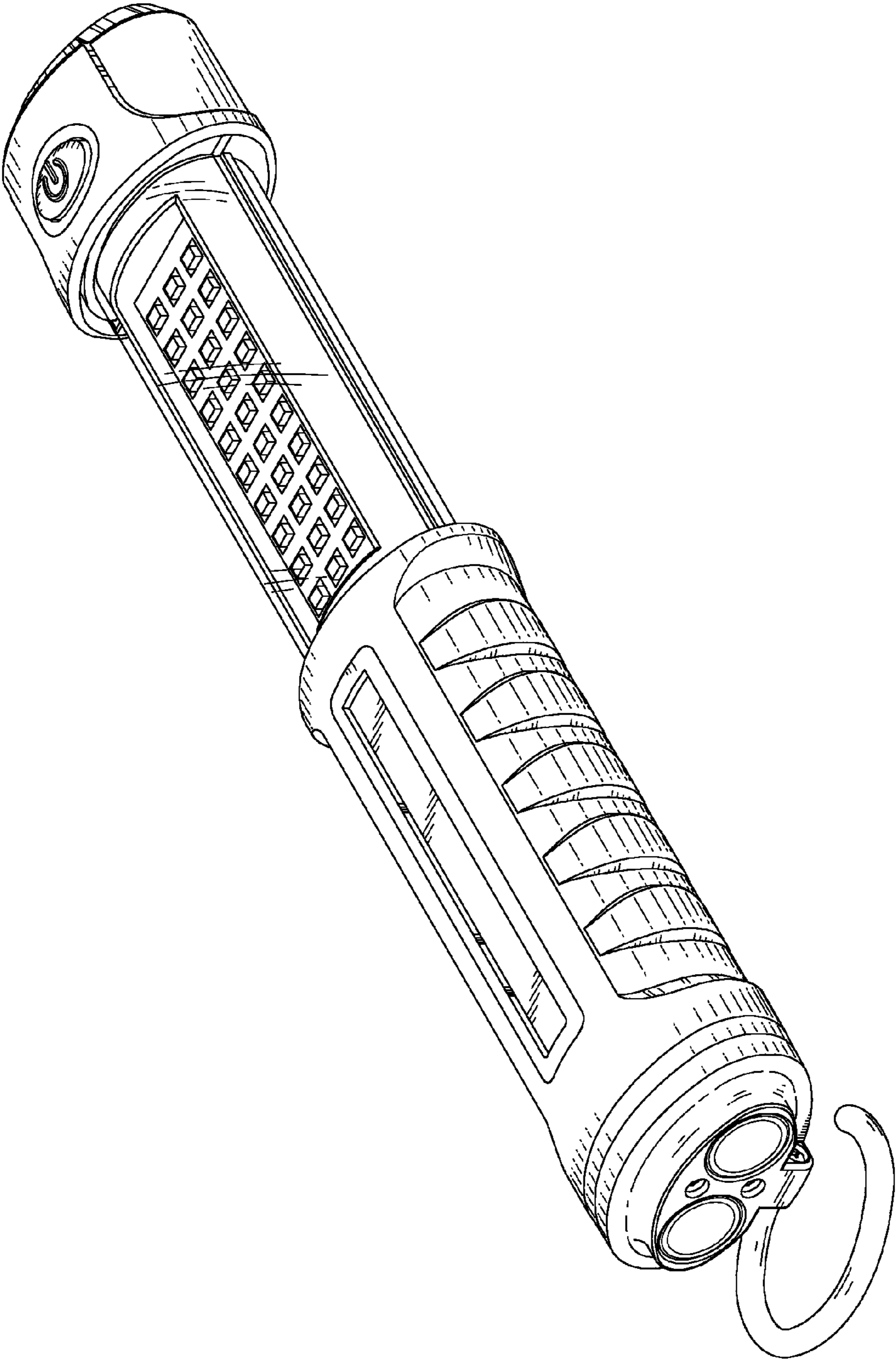


FIG.9

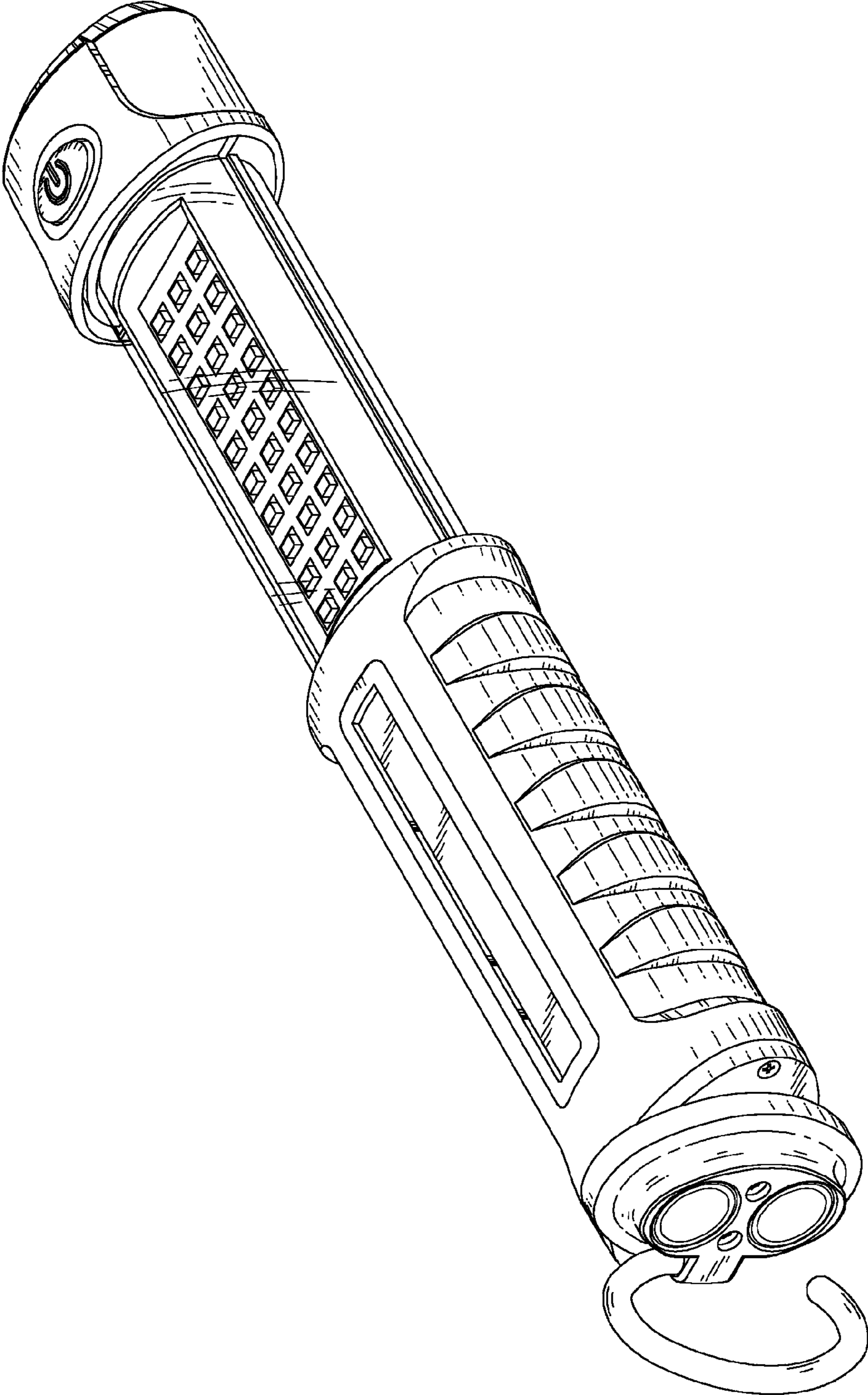


FIG.10