

US00D698958S

(12) **United States Design Patent**
Wang et al.

(10) **Patent No.:** **US D698,958 S**

(45) **Date of Patent:** **** Feb. 4, 2014**

- (54) **LUMINOUS STICK**
- (71) Applicants: **Connie Wang**, Irvine, CA (US); **Wei Hung Yu**, New Taipei (TW)
- (72) Inventors: **Connie Wang**, Irvine, CA (US); **Wei Hung Yu**, New Taipei (TW)
- (**) Term: **14 Years**
- (21) Appl. No.: **29/439,866**
- (22) Filed: **Dec. 17, 2012**
- (51) **LOC (10) Cl.** **26-02**
- (52) **U.S. Cl.**
USPC **D26/38**
- (58) **Field of Classification Search**
USPC D26/37, 38, 39, 40, 43, 45, 46, 49, 51,
D26/47, 3, 7, 16, 17, 57, 94, 98; 362/157,
362/158, 183, 185, 194-197, 200-208,
362/253; D21/398, 402, 406, 413-415
See application file for complete search history.

D542,453 S *	5/2007	Osiecki et al.	D26/60
D547,234 S *	7/2007	Tsai	D11/124
D553,274 S *	10/2007	Hill et al.	D26/37
D575,428 S *	8/2008	Nelson et al.	D26/37
D593,237 S *	5/2009	Chernick et al.	D26/37
D605,321 S *	12/2009	Schupp	D26/40
D612,523 S *	3/2010	Peng	D26/37
D615,228 S *	5/2010	Gilmore et al.	D26/47
D622,327 S *	8/2010	Roos et al.	D21/398
D622,431 S *	8/2010	Bayat et al.	D26/46
D637,239 S *	5/2011	Walterscheid	D21/398
D653,784 S *	2/2012	Kelly et al.	D26/38
2002/0068505 A1 *	6/2002	Williams	446/485
2004/0077264 A1 *	4/2004	Walker et al.	446/175
2004/0161289 A1 *	8/2004	Silberman	401/195
2005/0036313 A1 *	2/2005	Daucher et al.	362/255

* cited by examiner

Primary Examiner — Ian Simmons

Assistant Examiner — Carissa C Fitts

(74) *Attorney, Agent, or Firm* — Bacon & Thomas, PLLC

(57) **CLAIM**

The ornamental design for a luminous stick, as shown and described.

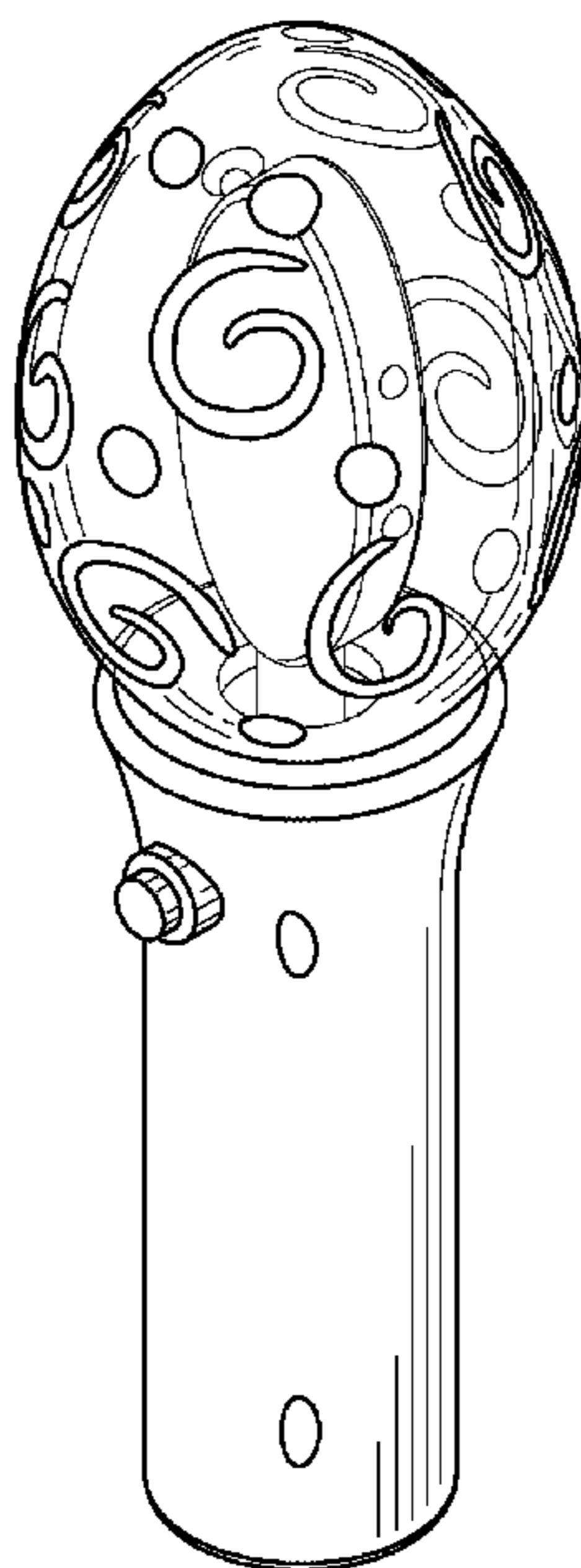
DESCRIPTION

FIG. 1 is a perspective view of a luminous stick showing my design;
 FIG. 2 is a front elevational view thereof;
 FIG. 3 is a rear elevational view thereof;
 FIG. 4 is a left side elevational view thereof;
 FIG. 5 is a right side elevational view thereof;
 FIG. 6 is a top plan view thereof; and,
 FIG. 7 is a bottom plan view thereof.
 The broken line showing is for environmental purposes only and forms no part of the claimed design.

1 Claim, 4 Drawing Sheets

(56) **References Cited**
U.S. PATENT DOCUMENTS

D211,392 S *	6/1968	Grebow	D26/38
D226,818 S *	5/1973	Feuer	D26/47
D262,466 S *	12/1981	Lieberman et al.	D21/311
D263,508 S *	3/1982	Hubachek	D26/47
D403,093 S *	12/1998	Tseng	D26/38
D412,212 S *	7/1999	Kato et al.	D26/3
D425,935 S *	5/2000	Schimmel	D19/57
D428,185 S *	7/2000	Lau	D26/110
D437,078 S *	1/2001	Chen	D26/94
D437,435 S *	2/2001	Spangler	D26/47
D504,706 S *	5/2005	Bennett	D21/398
D509,257 S *	9/2005	Yamamoto	D21/398
D535,420 S *	1/2007	Cohen	D26/47



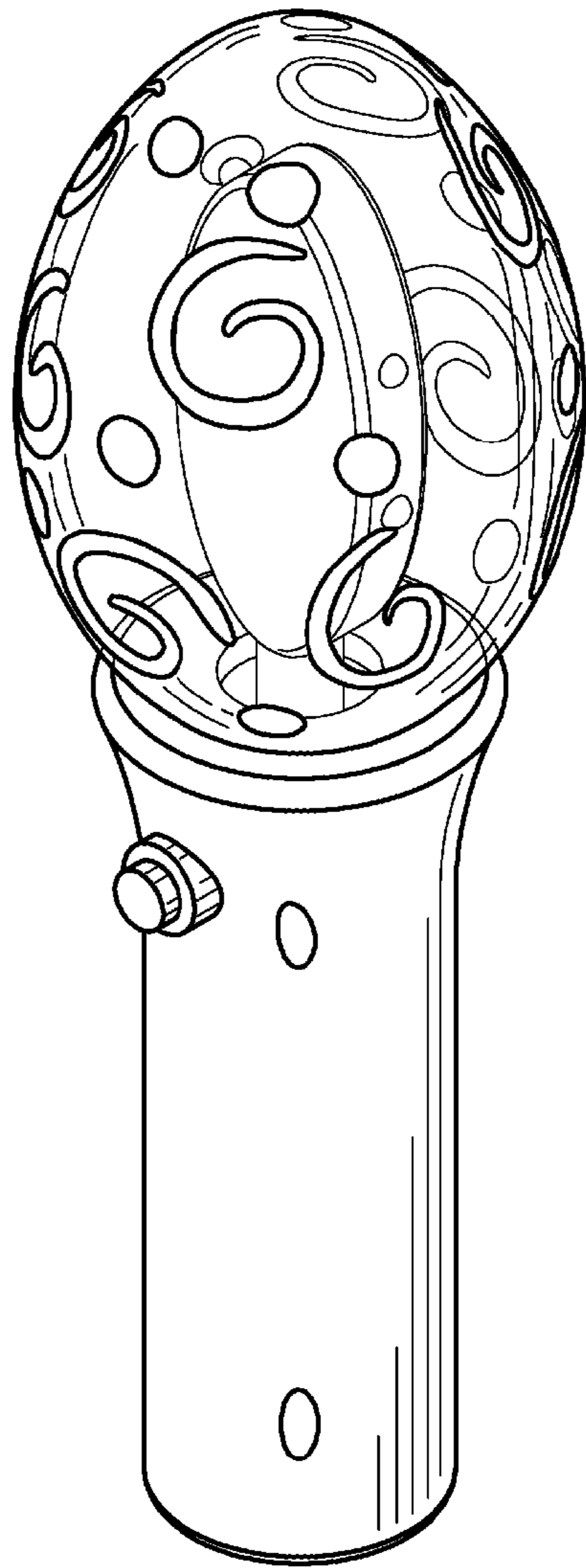


FIG. 1

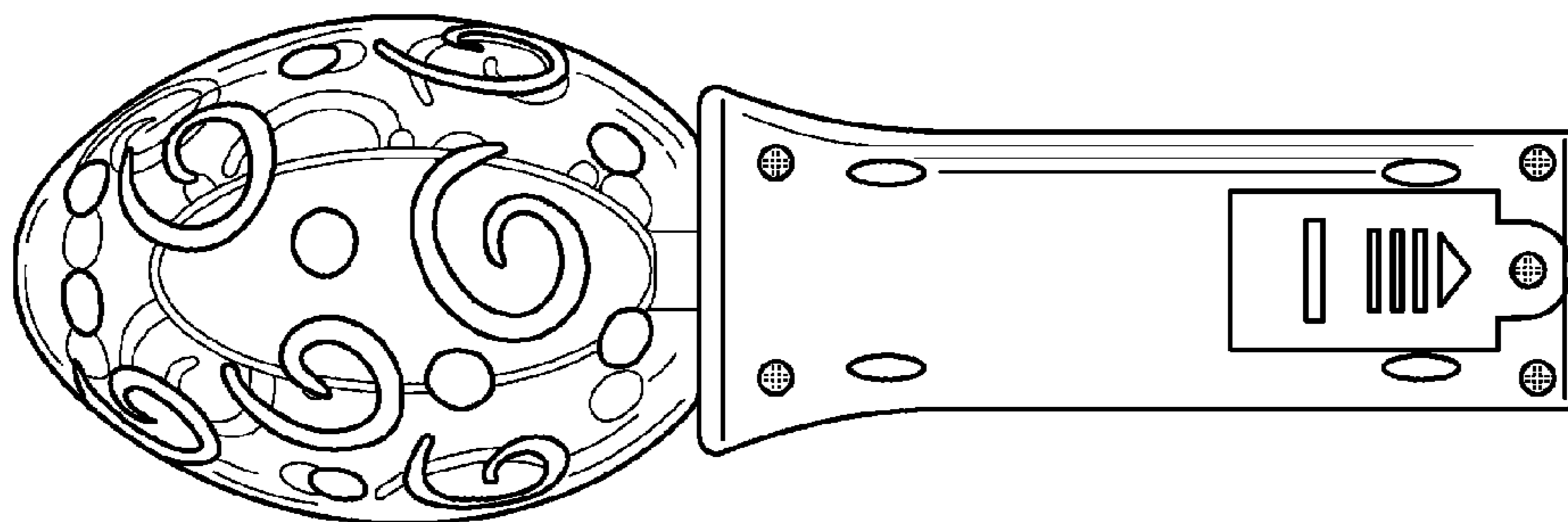


FIG. 3

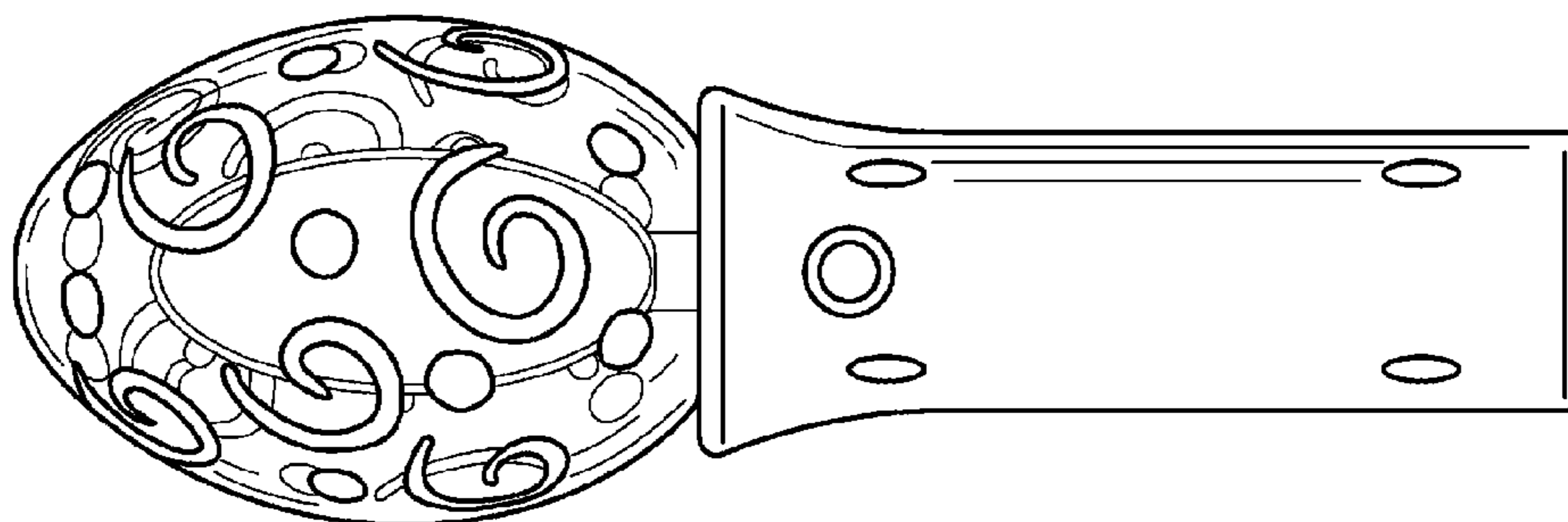


FIG. 2

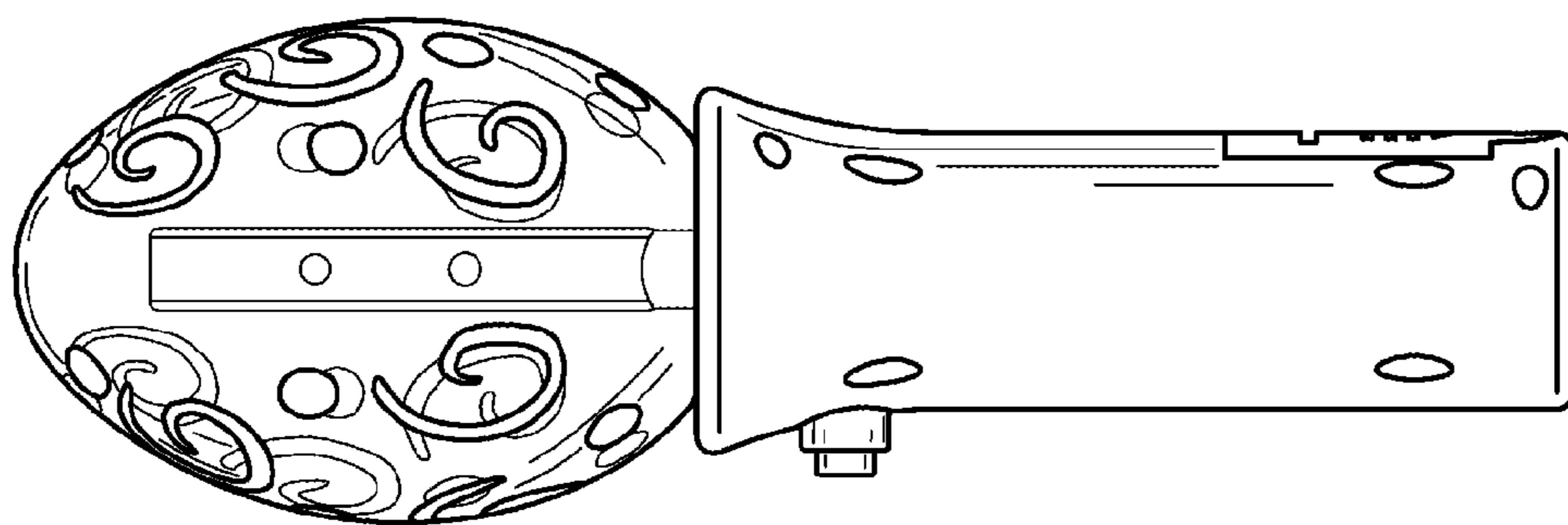


FIG. 5

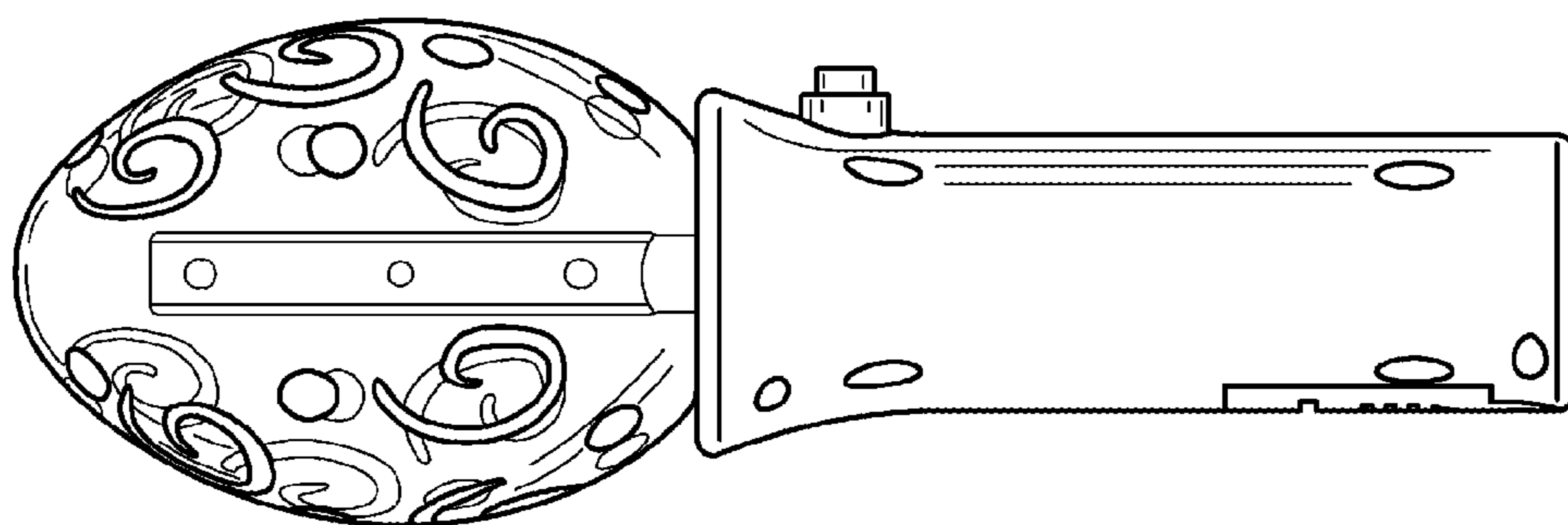


FIG. 4

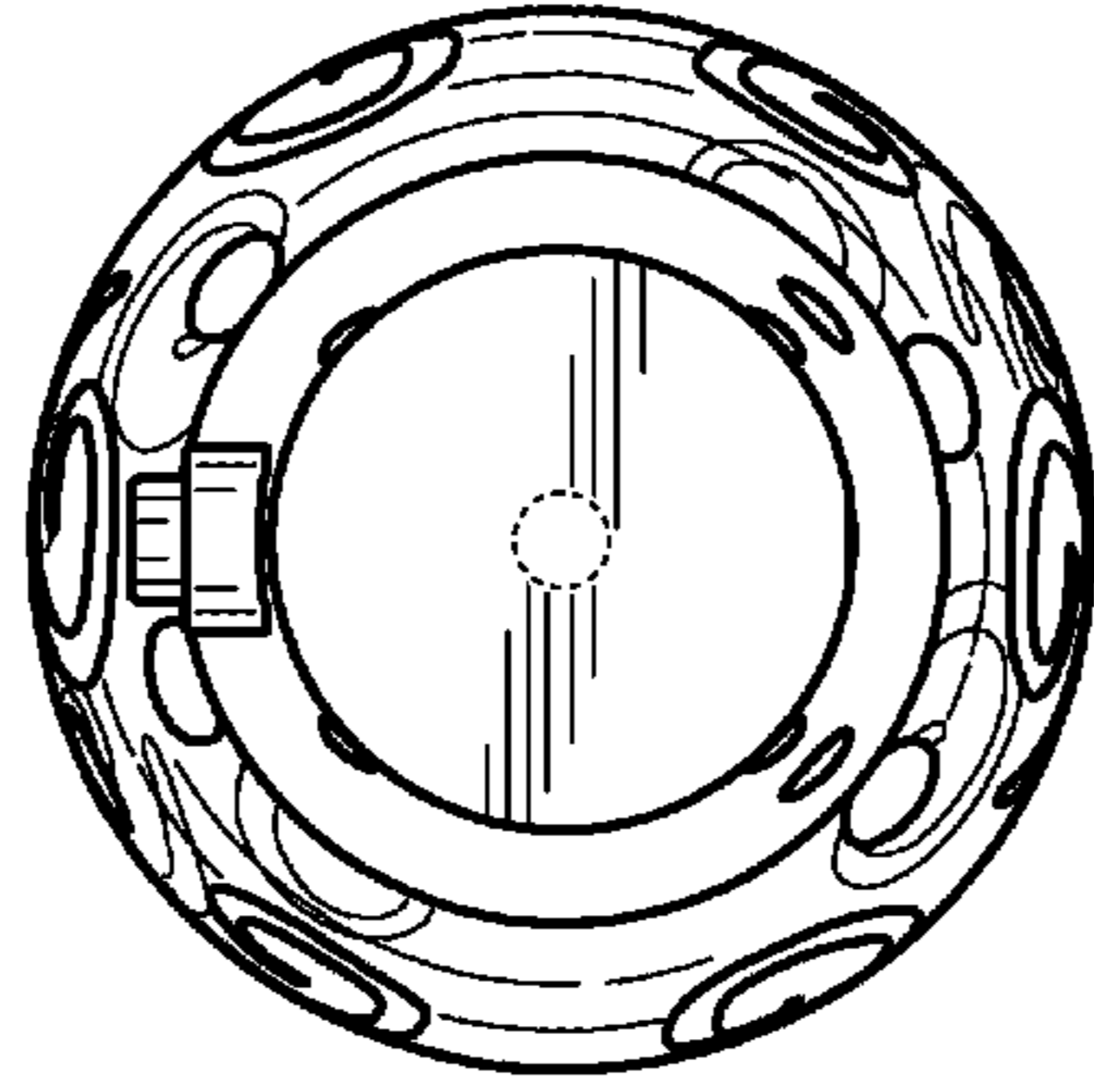


FIG. 7

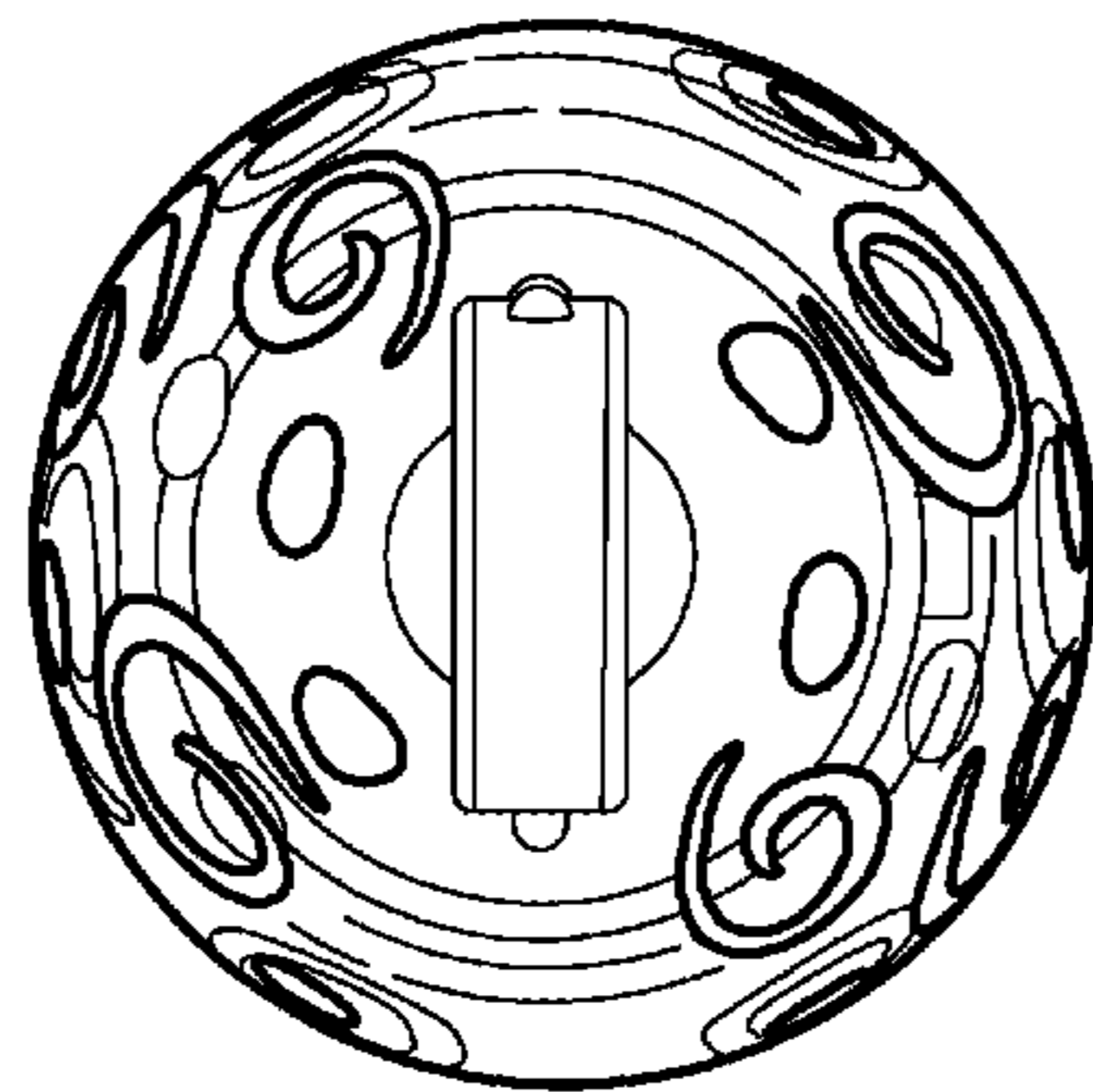


FIG. 6