

US00D698957S

(12) **United States Design Patent**  
**Wang et al.**

(10) **Patent No.:** **US D698,957 S**  
(45) **Date of Patent:** **\*\* Feb. 4, 2014**

- (54) **LUMINOUS STICK**
- (71) Applicants: **Connie Wang**, Irvine, CA (US); **Wei Hung Yu**, New Taipei (TW)
- (72) Inventors: **Connie Wang**, Irvine, CA (US); **Wei Hung Yu**, New Taipei (TW)
- (\*\*) Term: **14 Years**
- (21) Appl. No.: **29/439,603**
- (22) Filed: **Dec. 13, 2012**
- (51) **LOC (10) Cl.** ..... **26-02**
- (52) **U.S. Cl.**  
USPC ..... **D26/38**
- (58) **Field of Classification Search**  
USPC ..... D26/37, 38, 39, 40, 43, 45, 46, 49, 51, 52, 57, 94, 98; 362/157, 362/158, 183, 185, 194–197, 200–208, 362/253; D21/398, 402, 406, 413–415  
See application file for complete search history.

D553,274 S *	10/2007	Hill et al.	.....	D26/37
D575,428 S *	8/2008	Nelson et al.	.....	D26/37
D593,237 S *	5/2009	Chernick et al.	.....	D26/37
D605,321 S *	12/2009	Schupp	.....	D26/40
D612,523 S *	3/2010	Peng	.....	D26/37
D615,228 S *	5/2010	Gilmore et al.	.....	D26/47
D622,327 S *	8/2010	Roos et al.	.....	D21/398
D622,431 S *	8/2010	Bayat et al.	.....	D26/46
D637,239 S *	5/2011	Walterscheid	.....	D21/398
D653,784 S *	2/2012	Kelly et al.	.....	D26/38
D669,798 S *	10/2012	van der Lande	.....	D10/40
2002/0068505 A1 *	6/2002	Williams	.....	446/485
2004/0077264 A1 *	4/2004	Walker et al.	.....	446/175
2004/0161289 A1 *	8/2004	Silberman	.....	401/195
2005/0036313 A1 *	2/2005	Daucher et al.	.....	362/255

\* cited by examiner

*Primary Examiner* — Ian Simmons  
*Assistant Examiner* — Carissa C Fitts  
(74) *Attorney, Agent, or Firm* — Bacon & Thomas, PLLC

(57) **CLAIM**  
The ornamental design for a luminous stick, as shown and described.

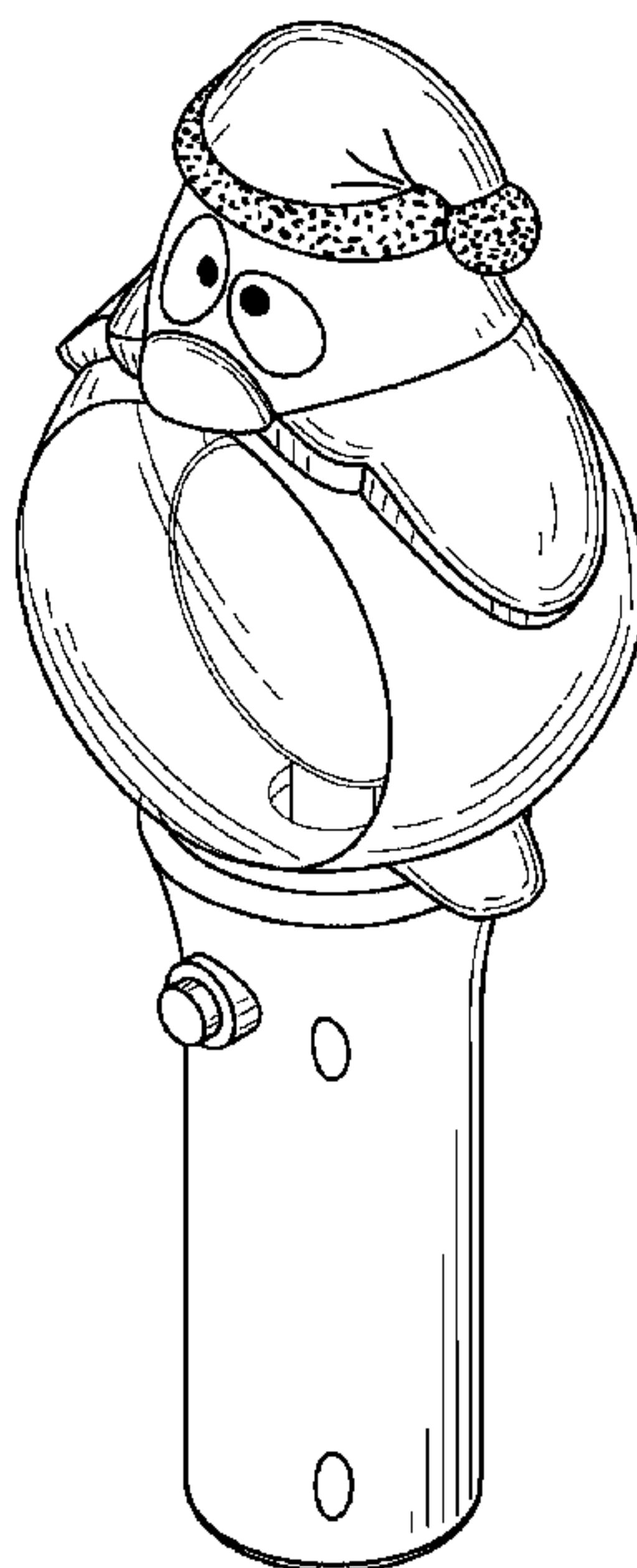
(56) **References Cited**  
U.S. PATENT DOCUMENTS

D211,392 S *	6/1968	Grebow	.....	D26/38
D226,818 S *	5/1973	Feuer	.....	D26/47
D262,466 S *	12/1981	Lieberman et al.	.....	D21/311
D263,508 S *	3/1982	Hubachek	.....	D26/47
D300,441 S *	3/1989	Ryland	.....	D21/653
5,434,761 A *	7/1995	Lesnick et al.	.....	362/189
D403,093 S *	12/1998	Tseng	.....	D26/38
D437,435 S *	2/2001	Spangler	.....	D26/47
D452,538 S *	12/2001	Heller	.....	D21/607
D504,706 S *	5/2005	Bennett	.....	D21/398
D509,257 S *	9/2005	Yamamoto	.....	D21/398
D542,453 S *	5/2007	Osiecki et al.	.....	D26/60
D547,234 S *	7/2007	Tsai	.....	D11/124

**DESCRIPTION**

FIG. 1 is a perspective view of a luminous stick showing my design;  
FIG. 2 is a front elevational view thereof;  
FIG. 3 is a rear elevational view thereof;  
FIG. 4 is a left side elevational view thereof;  
FIG. 5 is a right side elevational view thereof;  
FIG. 6 is a top plan view thereof; and,  
FIG. 7 is a bottom plan view thereof.  
The broken line showing is for environmental purposes only and forms no part of the claimed design.

**1 Claim, 4 Drawing Sheets**



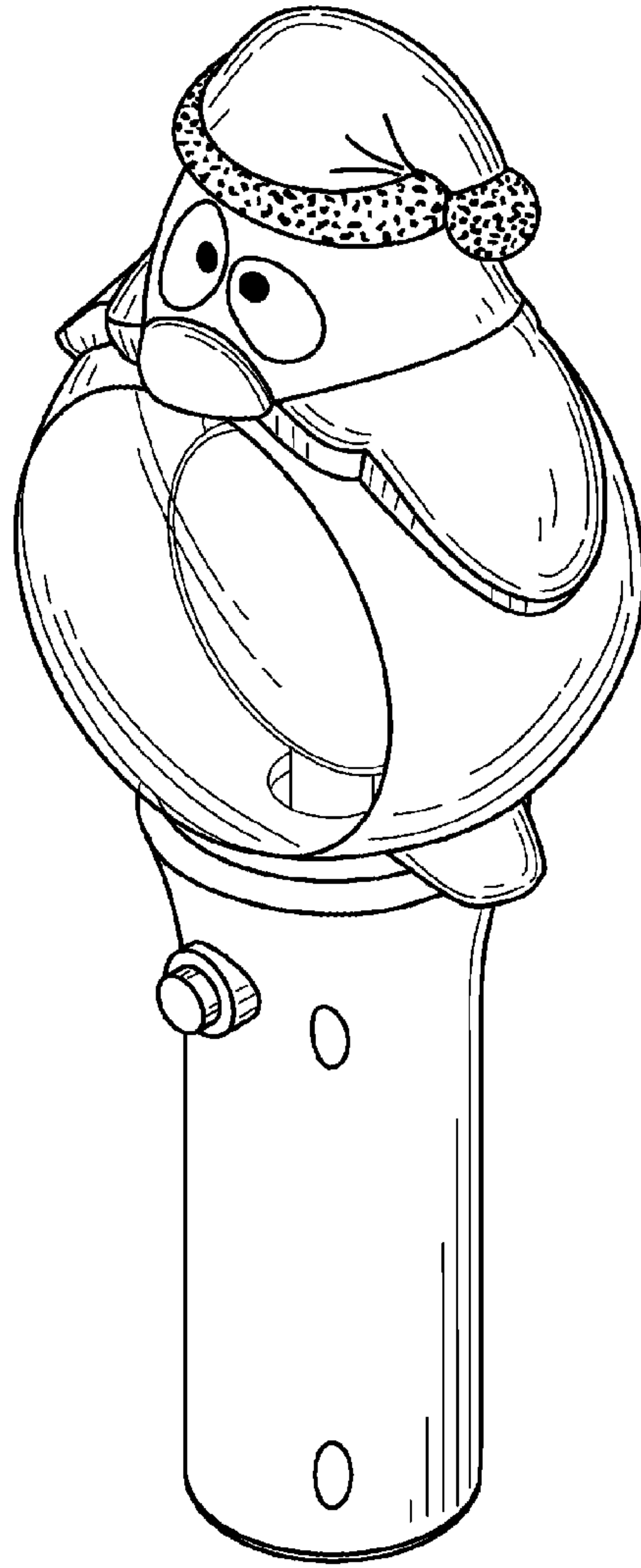


FIG. 1

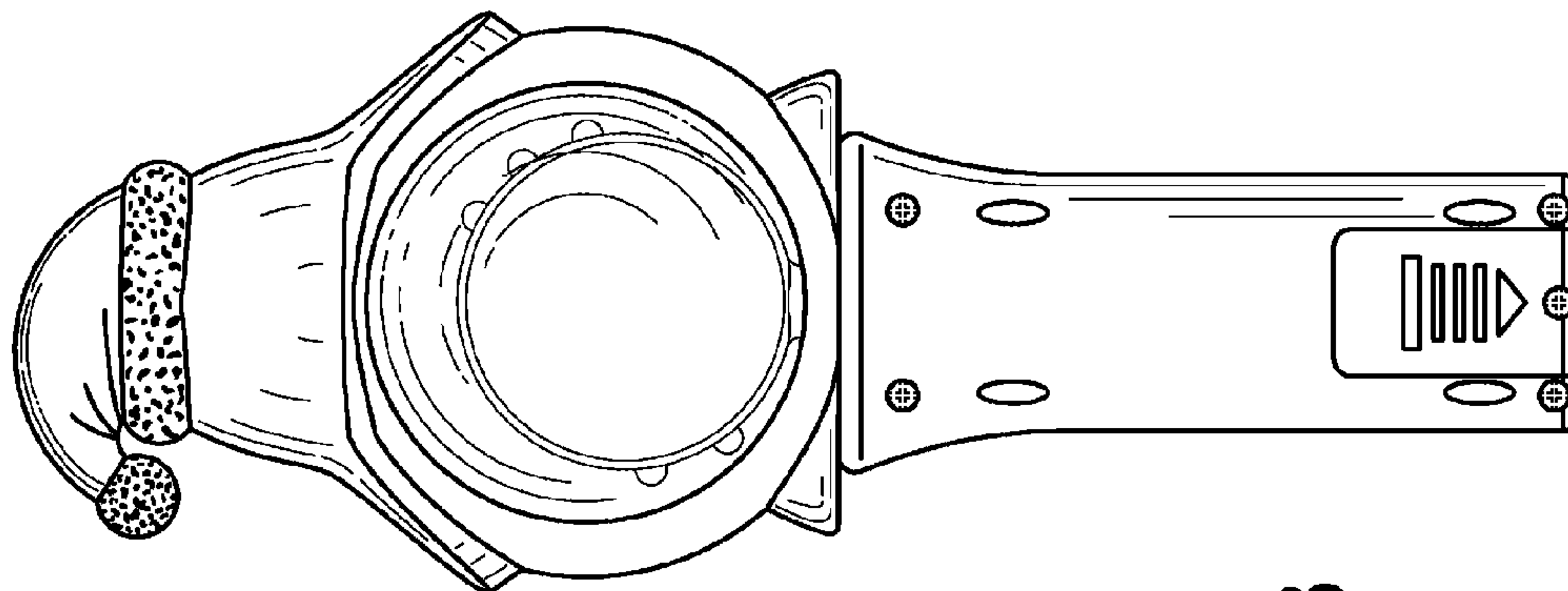


FIG. 3

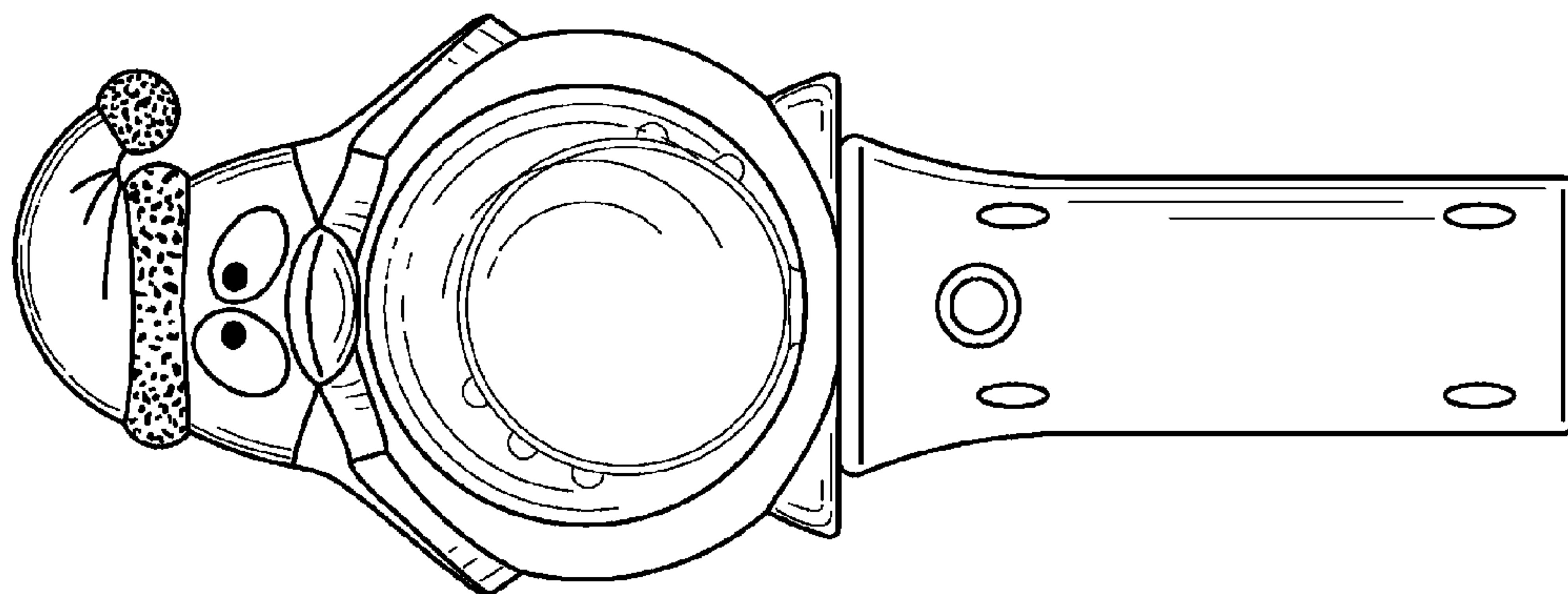


FIG. 2

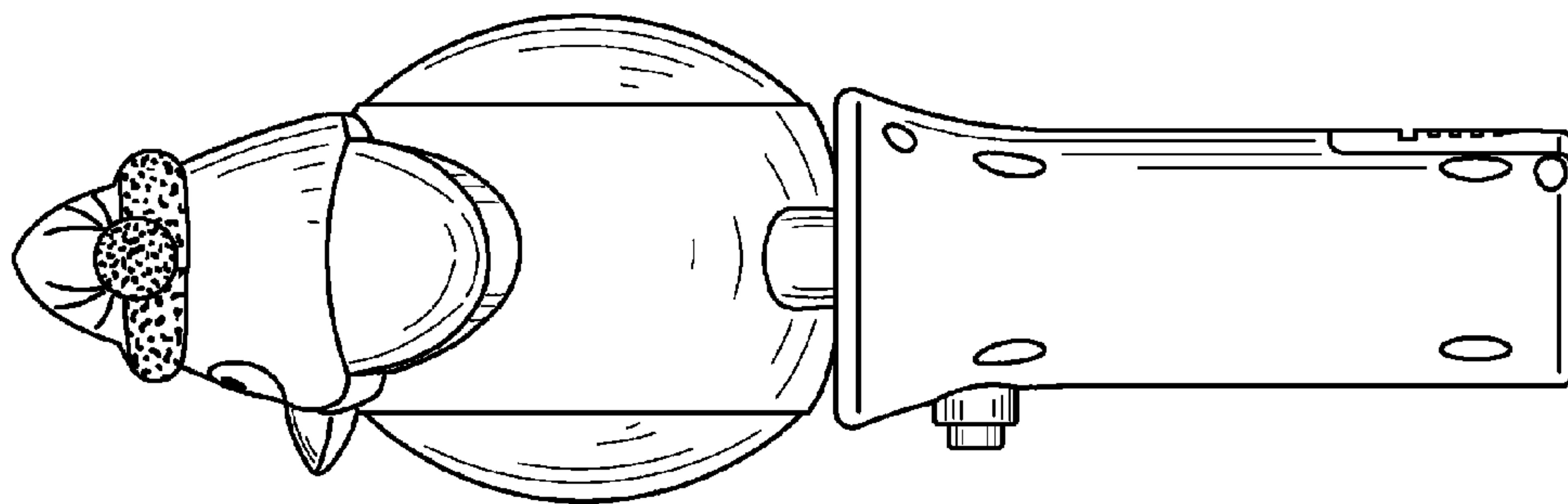


FIG. 5

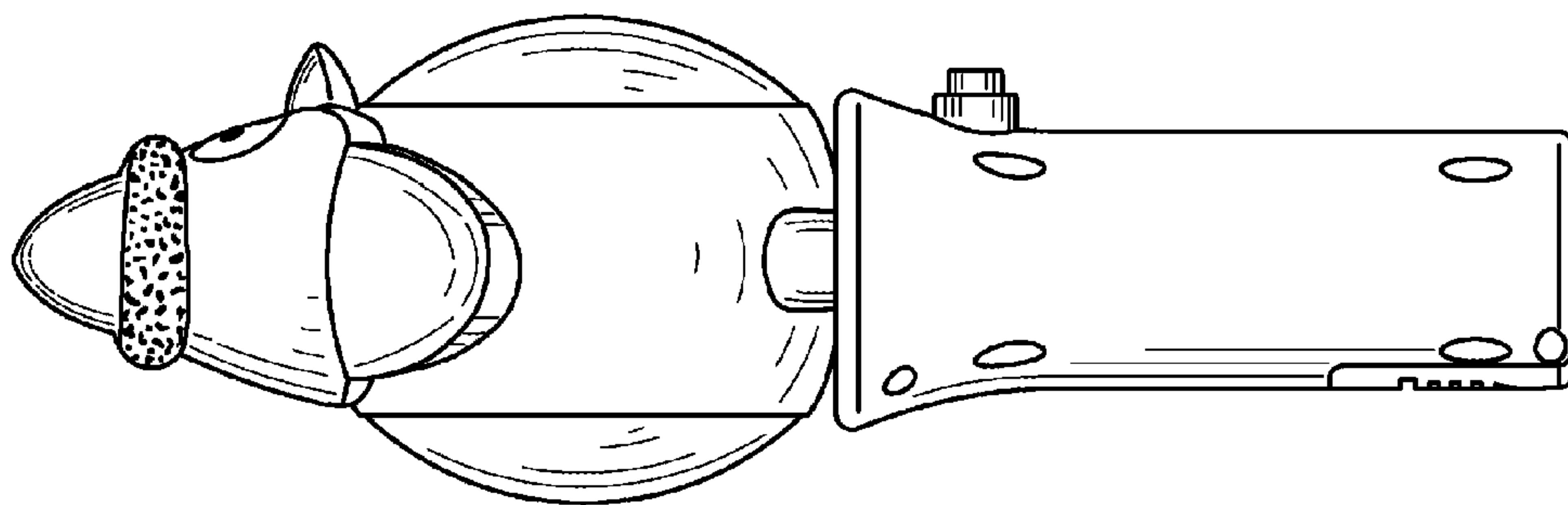


FIG. 4

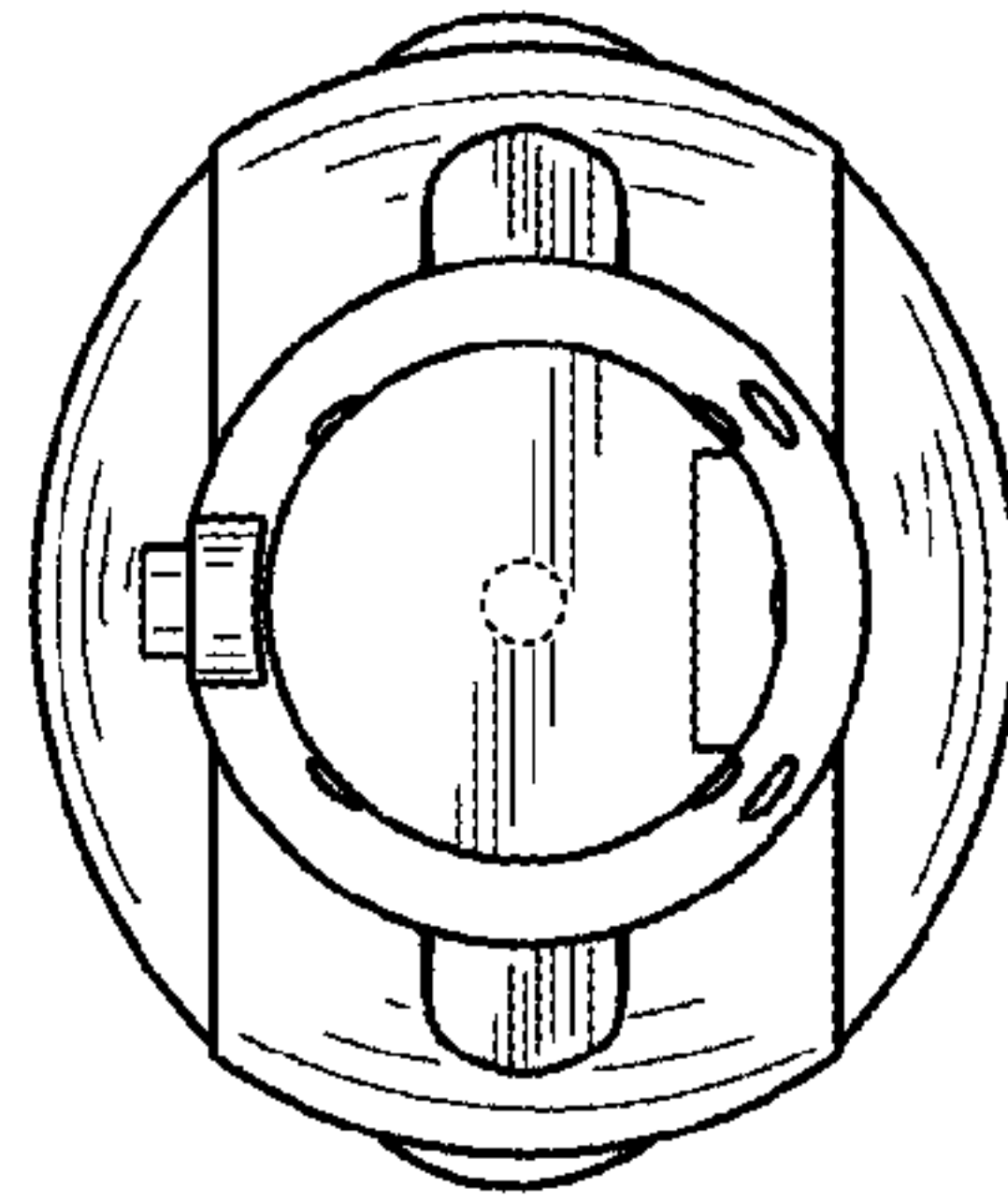


FIG. 7

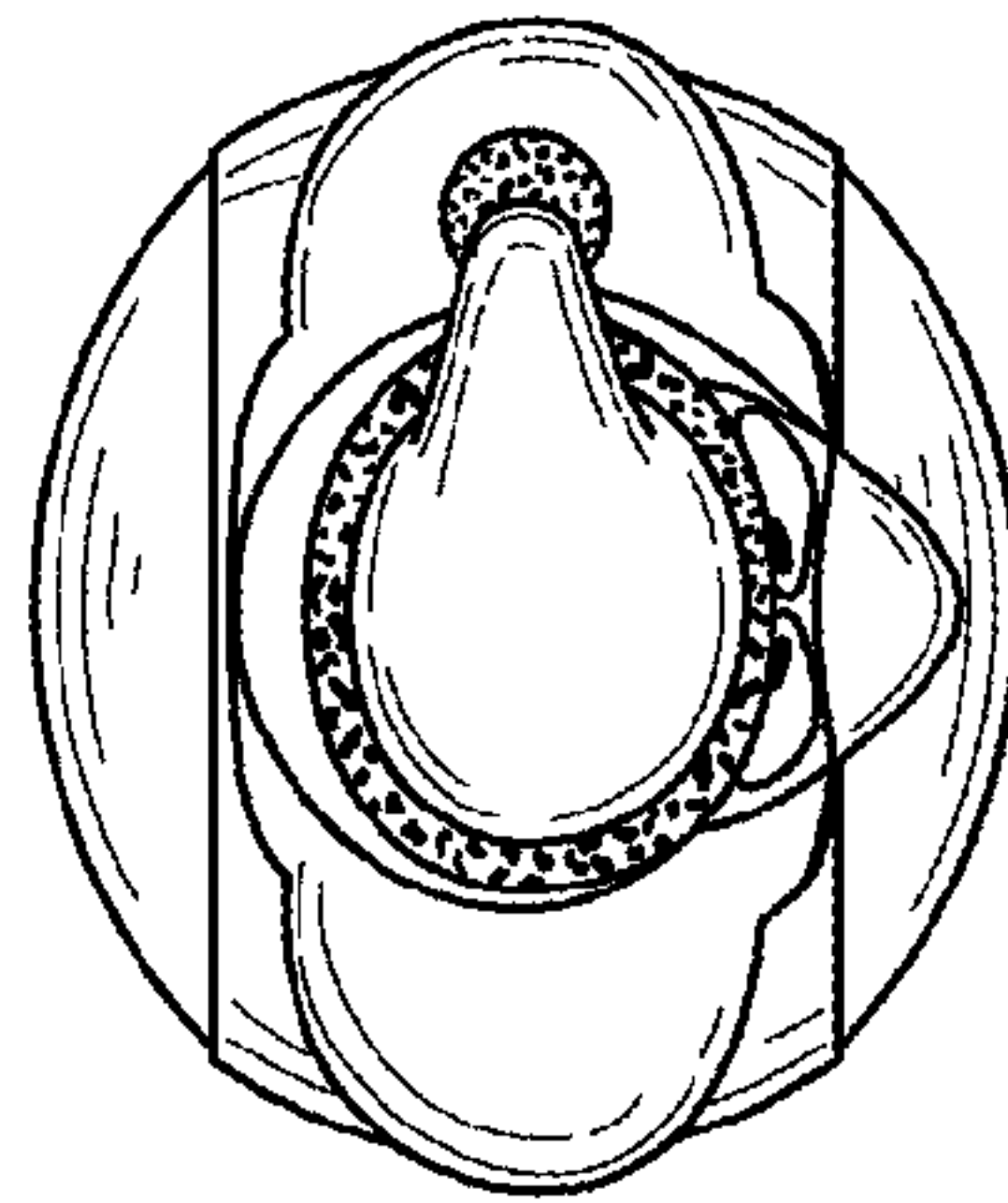


FIG. 6