



US00D698951S

(12) **United States Design Patent**
Cheng

(10) **Patent No.:** **US D698,951 S**

(45) **Date of Patent:** **** Feb. 4, 2014**

(54) **LED LIGHT**

(76) Inventor: **Yung Pun Cheng**, Hong Kong (CN)

(**) Term: **14 Years**

(21) Appl. No.: **29/413,928**

(22) Filed: **Feb. 22, 2012**

(30) **Foreign Application Priority Data**

Aug. 25, 2011 (CN) 2011 3 0310909

(51) **LOC (10) Cl.** **26-04**

(52) **U.S. Cl.**
USPC **D26/2**

(58) **Field of Classification Search**
USPC D26/1-4; 313/313, 315, 316, 317, 318,
313/493; 315/52, 53, 56, 57, 58
See application file for complete search history.

(56) **References Cited**

U.S. PATENT DOCUMENTS

D433,166 S *	10/2000	Noll	D26/2
D435,306 S *	12/2000	McBride	D26/2
D498,007 S *	11/2004	Bobel	D26/2
D534,664 S *	1/2007	Geens	D26/2
D545,456 S *	6/2007	Foo	D26/2

* cited by examiner

Primary Examiner — Marcus Jackson

(74) *Attorney, Agent, or Firm* — Christie, Parker & Hale, LLP

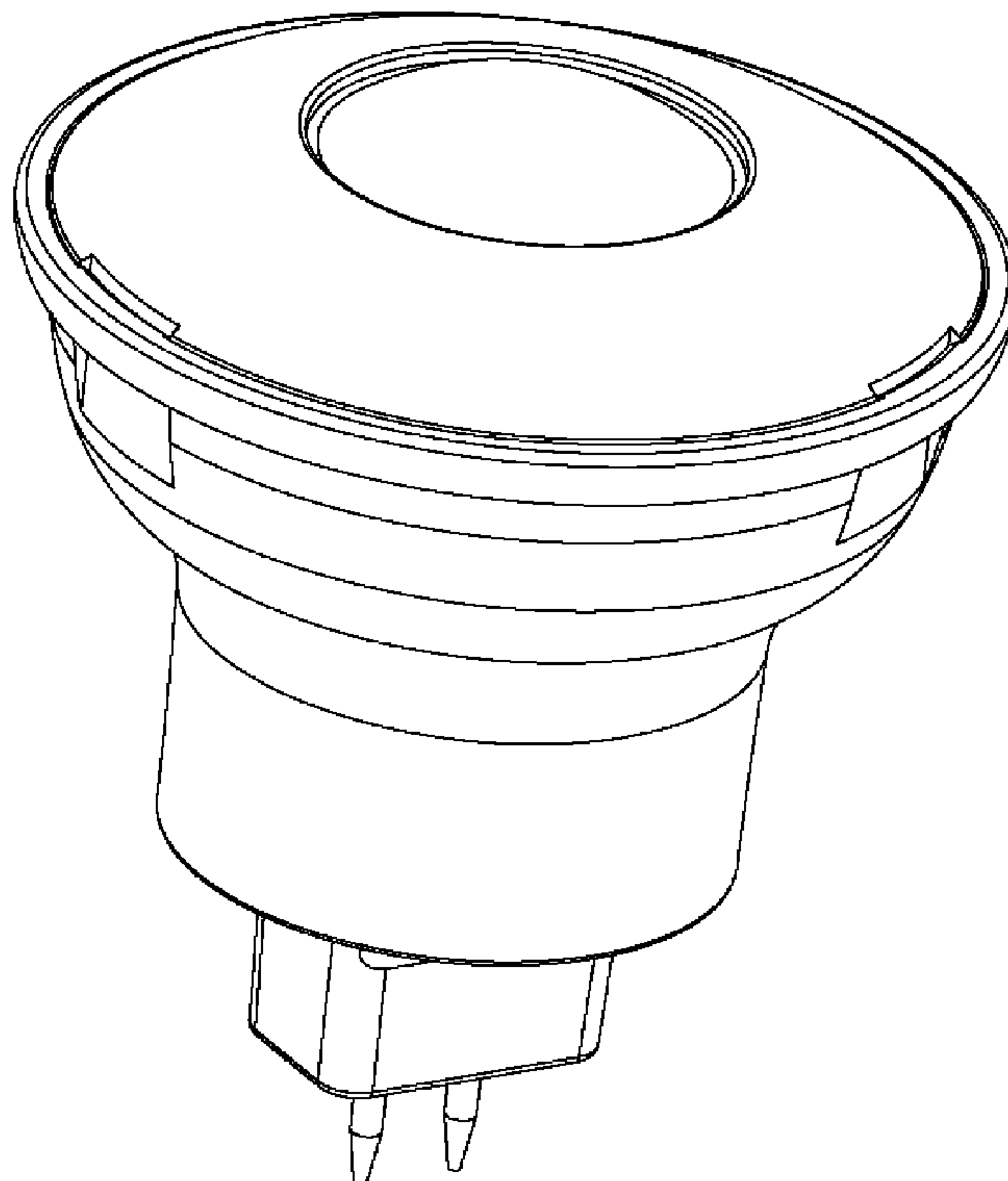
(57) **CLAIM**

The ornamental design for an LED light, as shown and described.

DESCRIPTION

FIG. 1 is a perspective view of a first embodiment of an LED light;
 FIG. 2 is a front view of the first embodiment;
 FIG. 3 is a back view of the first embodiment;
 FIG. 4 is a left side view of the first embodiment;
 FIG. 5 is a right side view of the first embodiment;
 FIG. 6 is a top view of the first embodiment;
 FIG. 7 is a bottom view of the first embodiment;
 FIG. 8 is a cross-section view of the first embodiment taken as indicator A-A of FIG. 2;
 FIG. 9 is a perspective view of a second embodiment of an LED light;
 FIG. 10 is a front view of the second embodiment;
 FIG. 11 is a back view of the second embodiment;
 FIG. 12 is a left side view of the second embodiment;
 FIG. 13 is a right side view of the second embodiment;
 FIG. 14 is a top view of the second embodiment;
 FIG. 15 is a bottom view of the second embodiment; and,
 FIG. 16 is a cross-section view of the second embodiment taken as indicator A-A of FIG. 10.

1 Claim, 16 Drawing Sheets



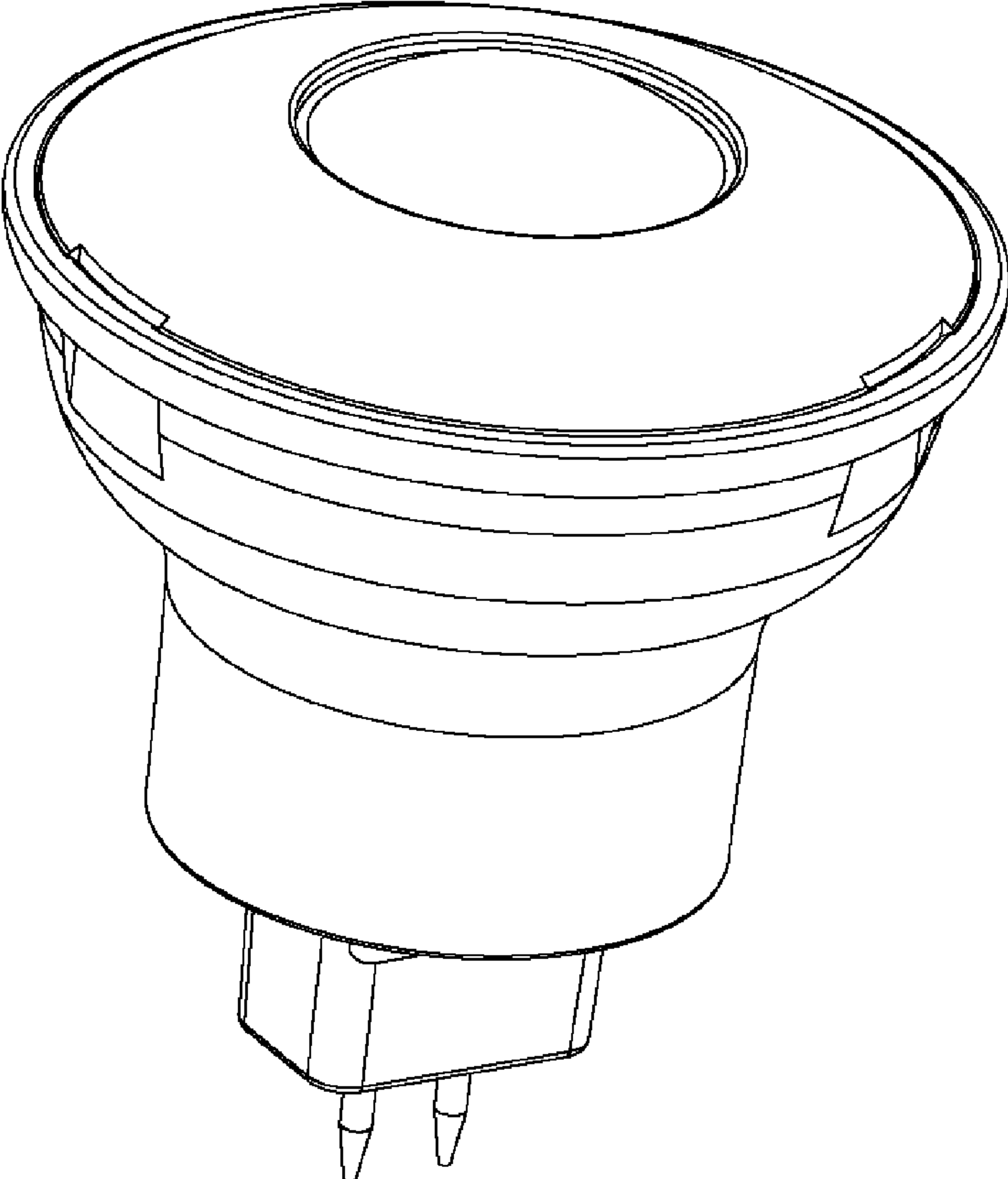


Fig. 1

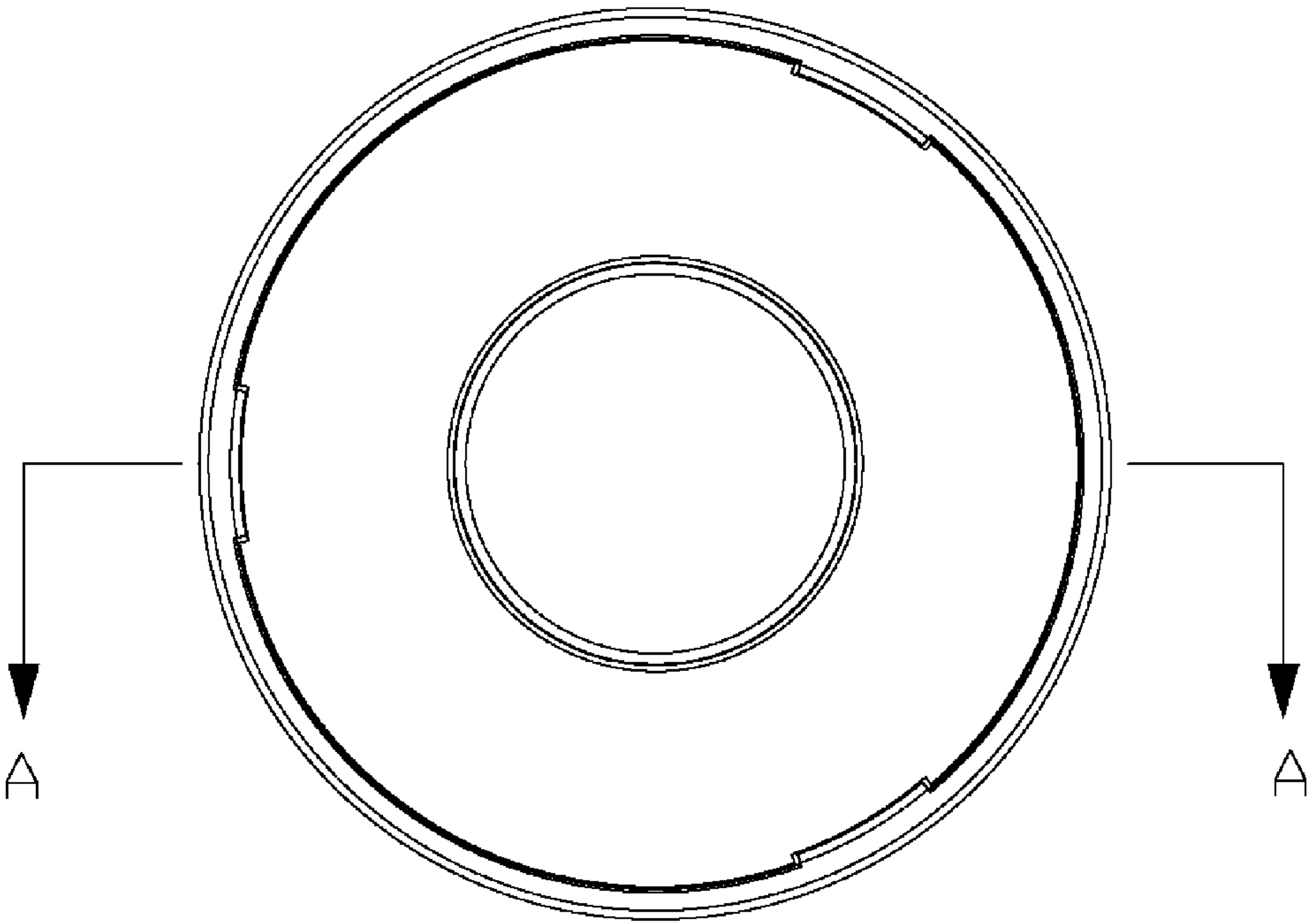


Fig. 2

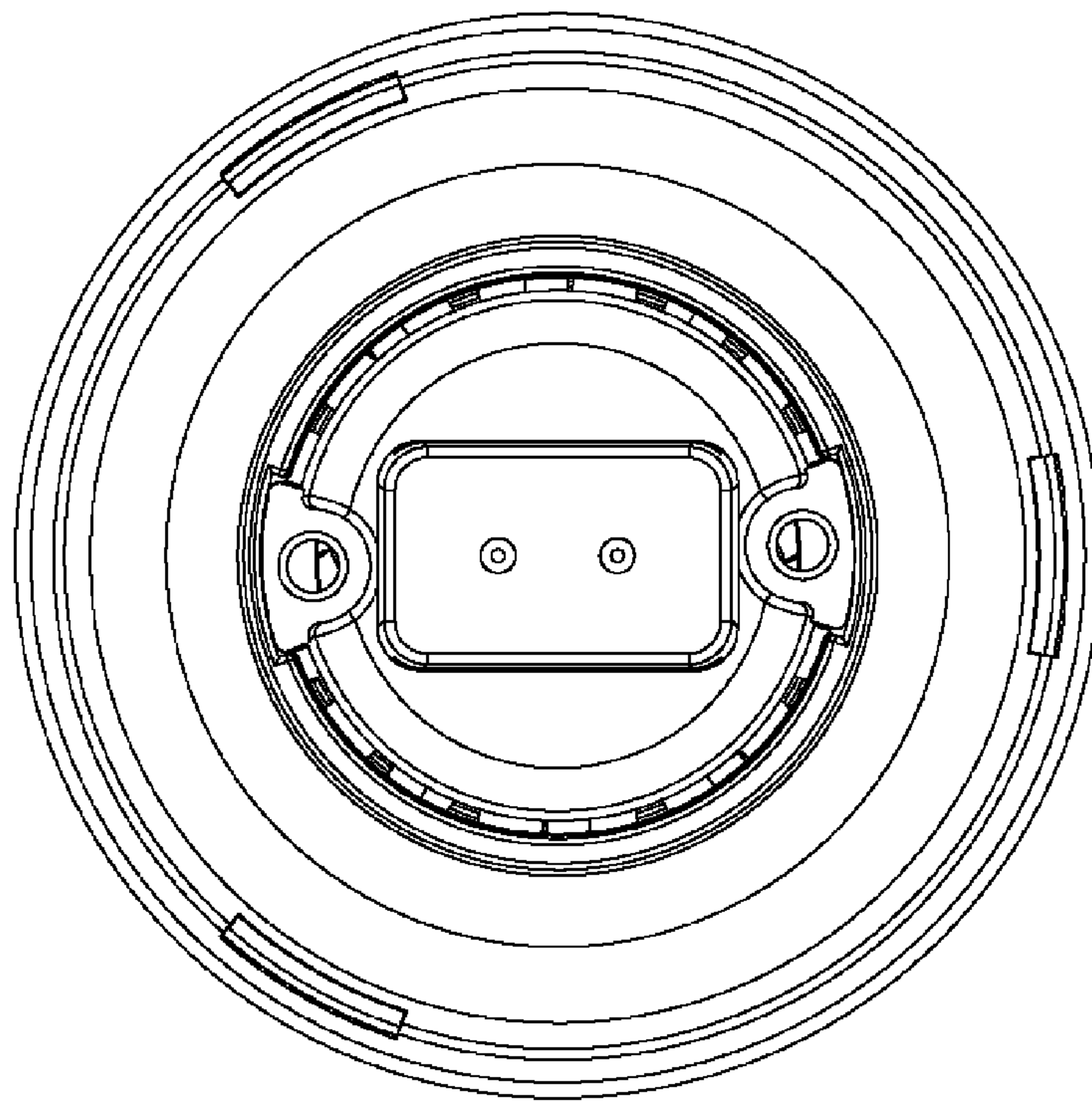


Fig. 3

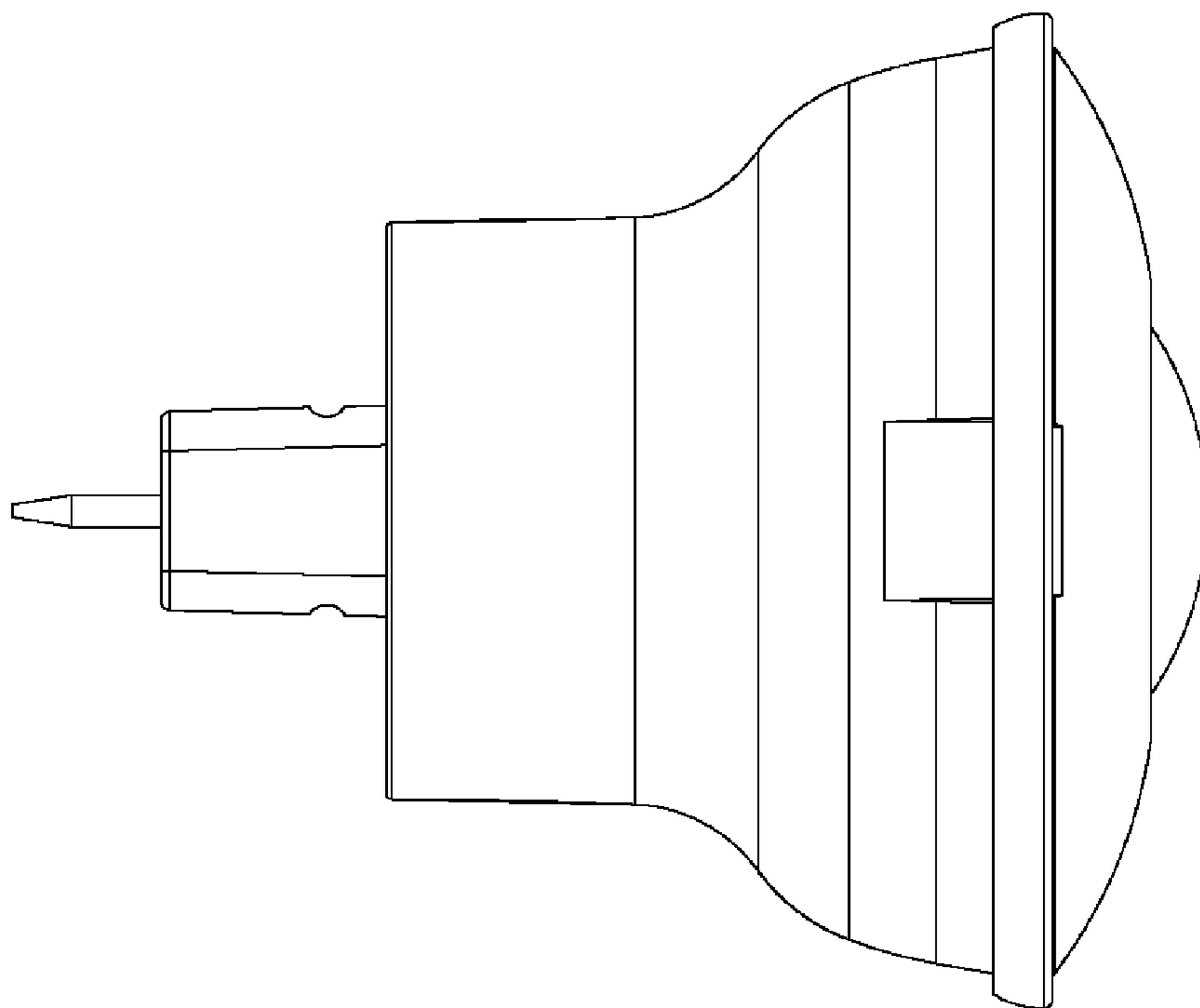


Fig. 4

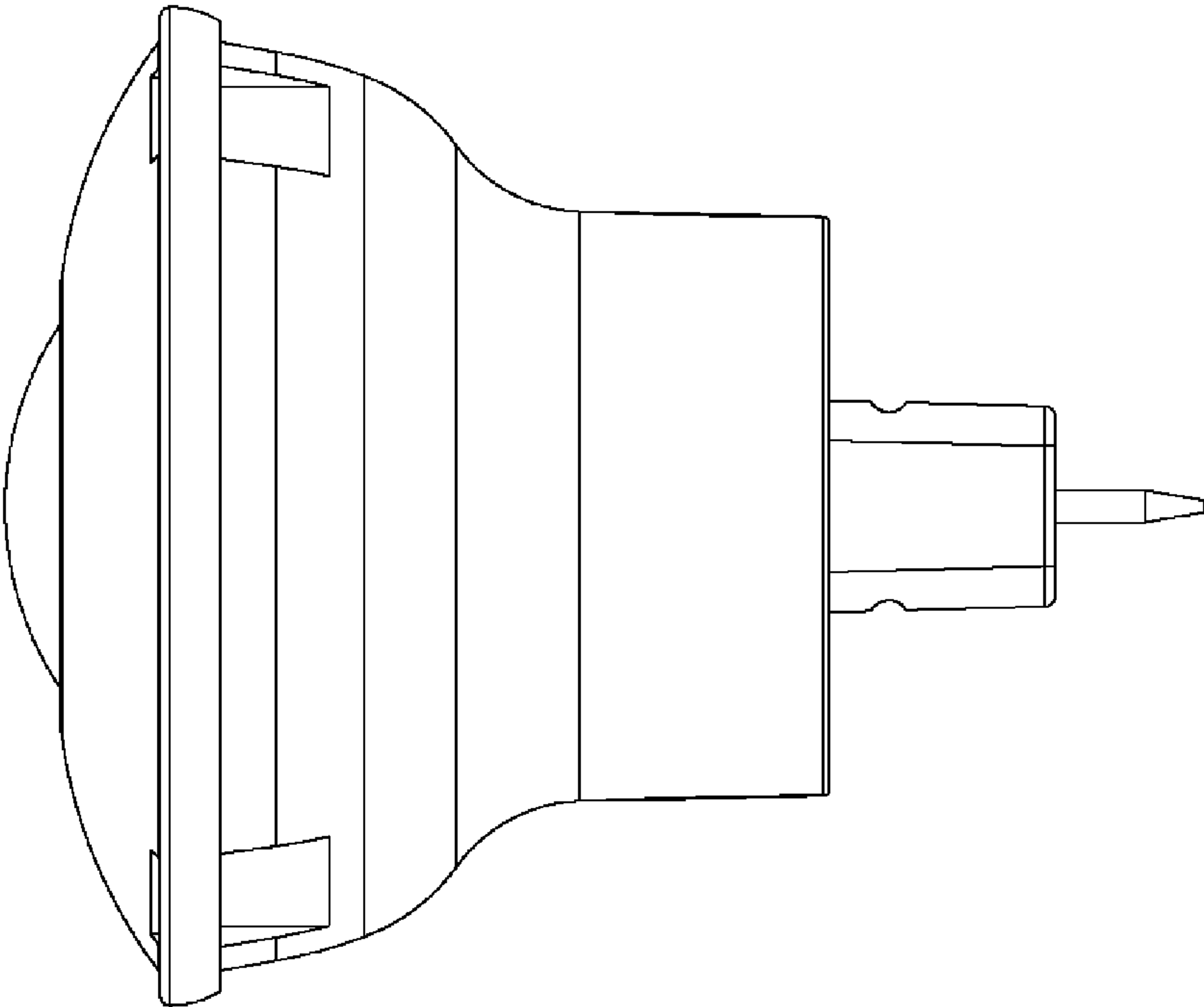


Fig. 5

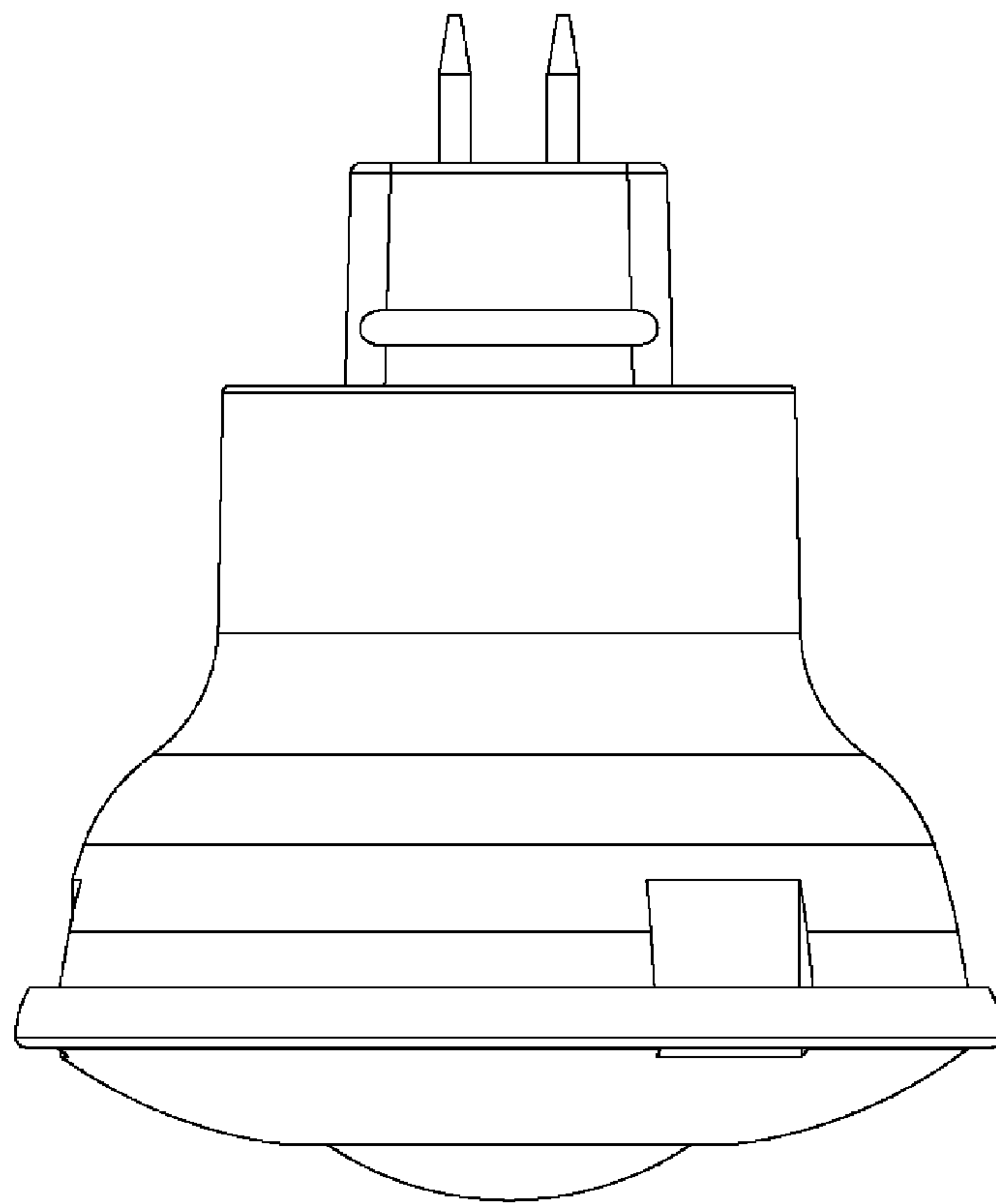


Fig. 6

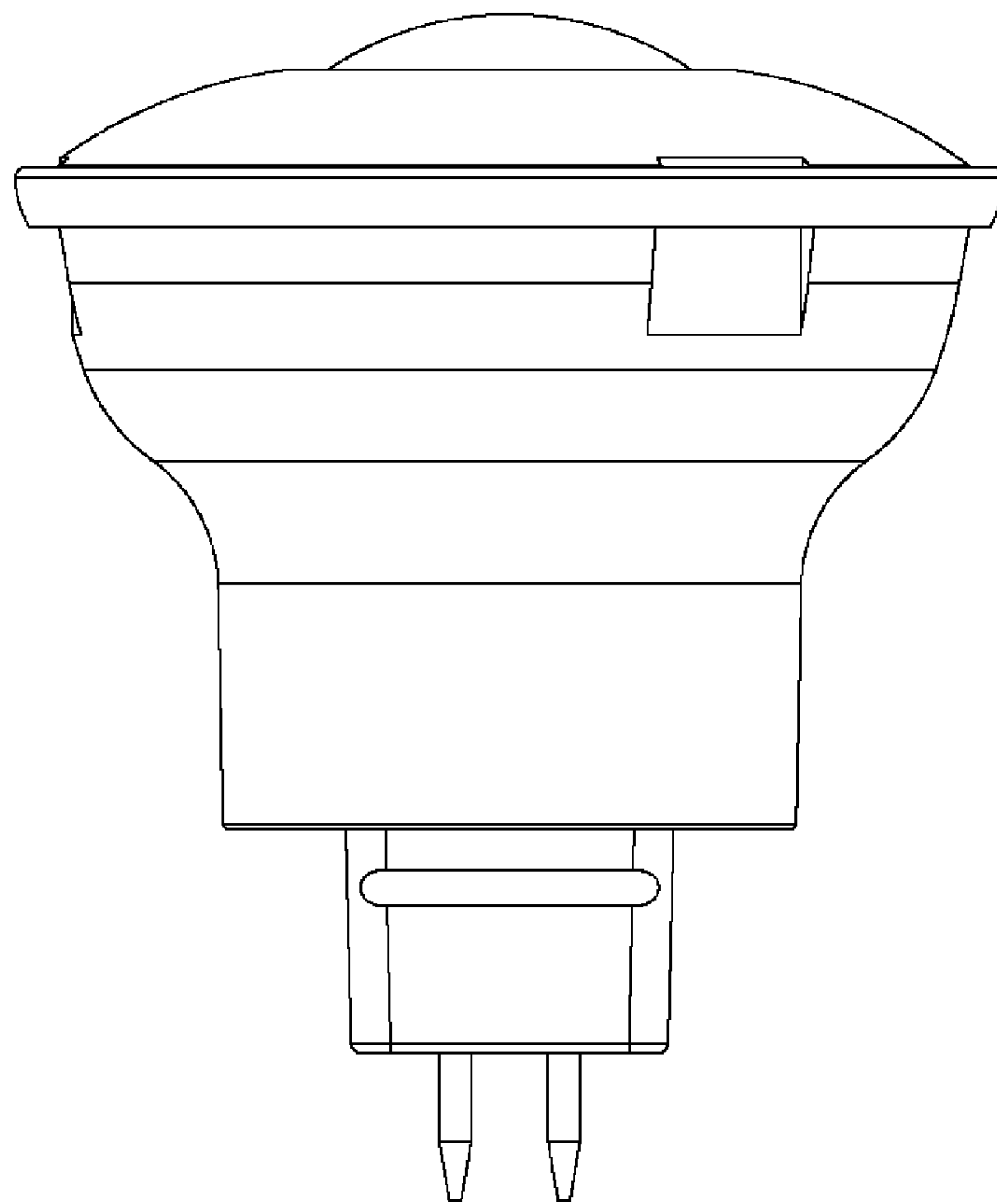


Fig. 7

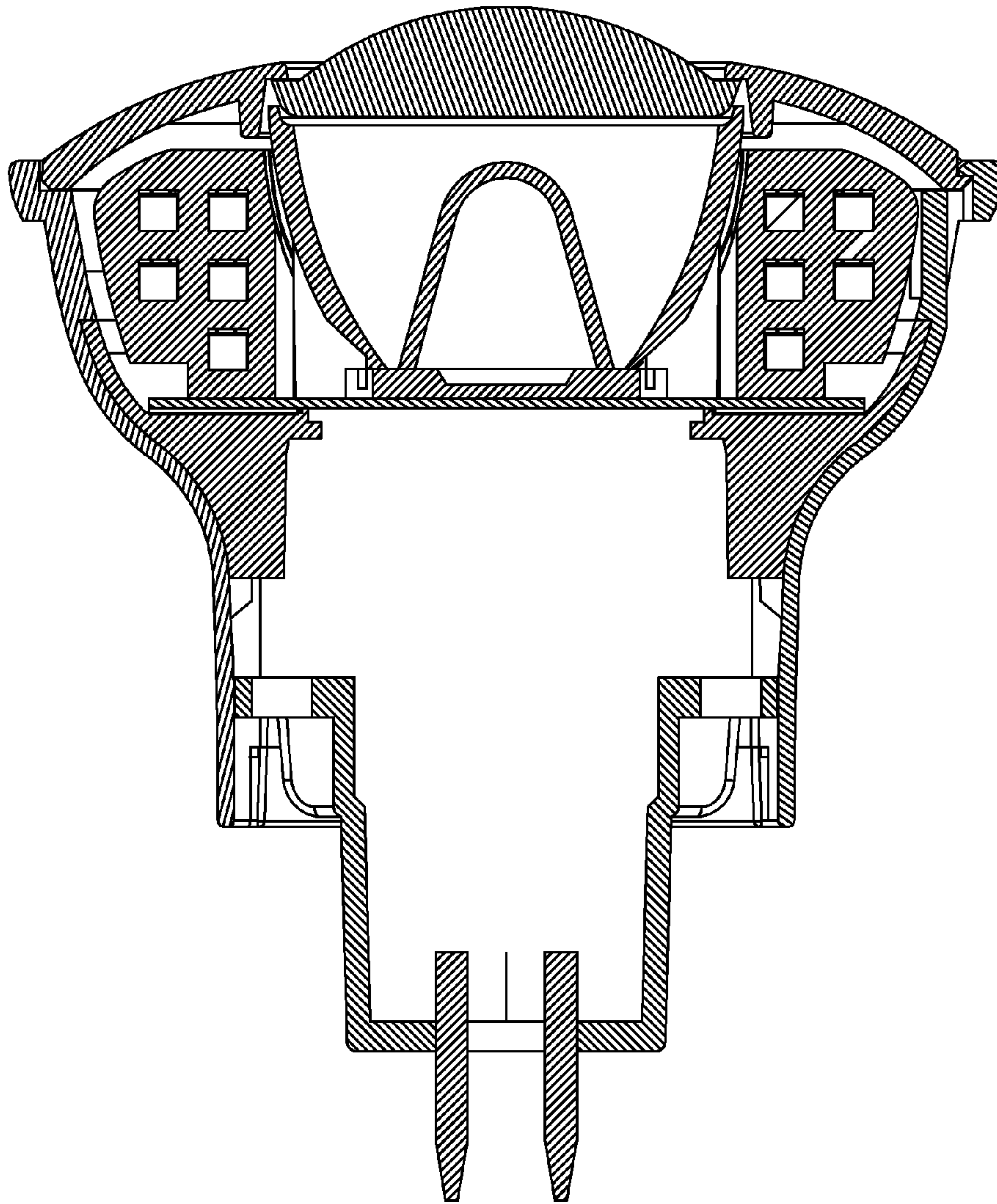


FIG. 8

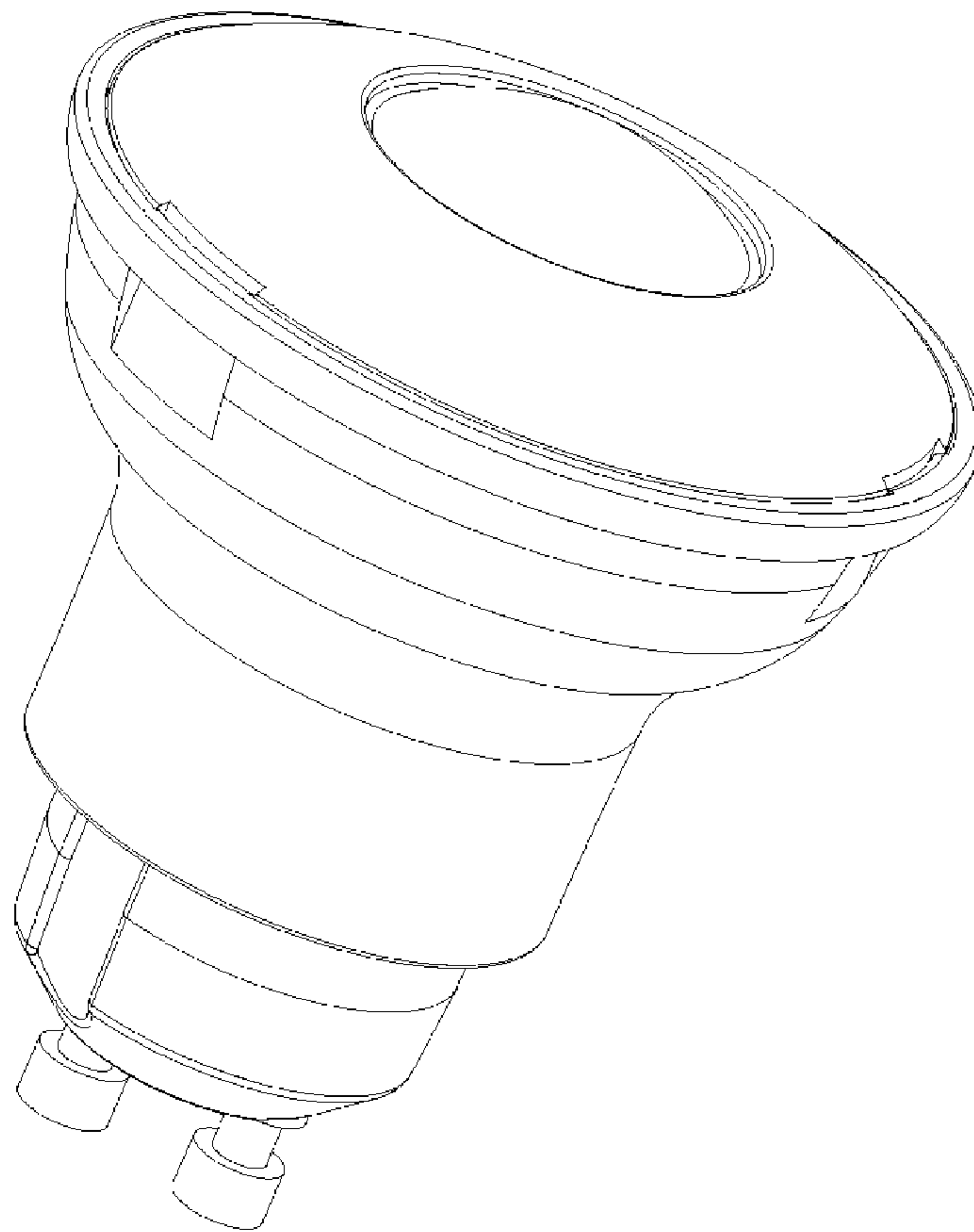


Fig. 9

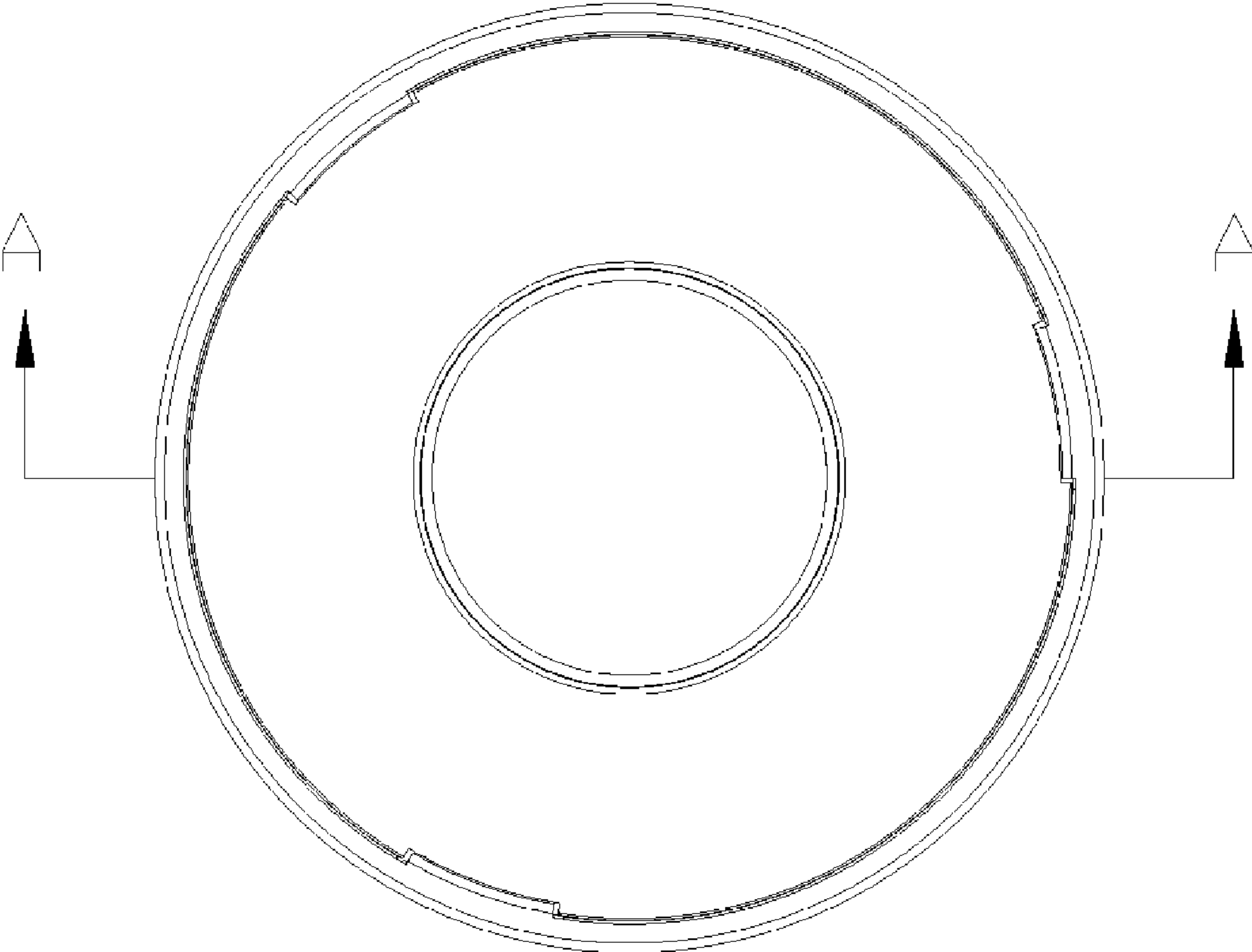


Fig. 10

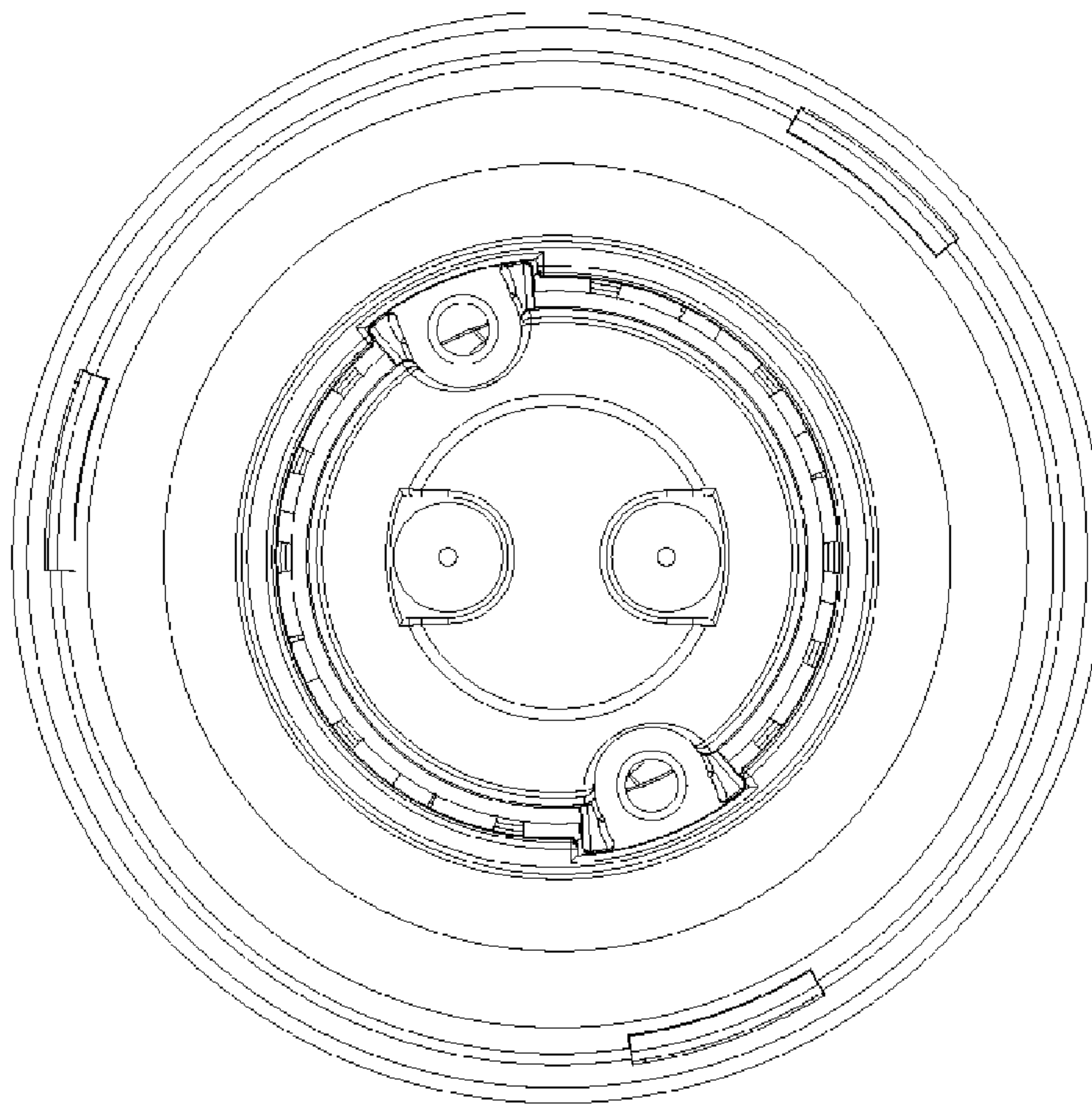


Fig. 11

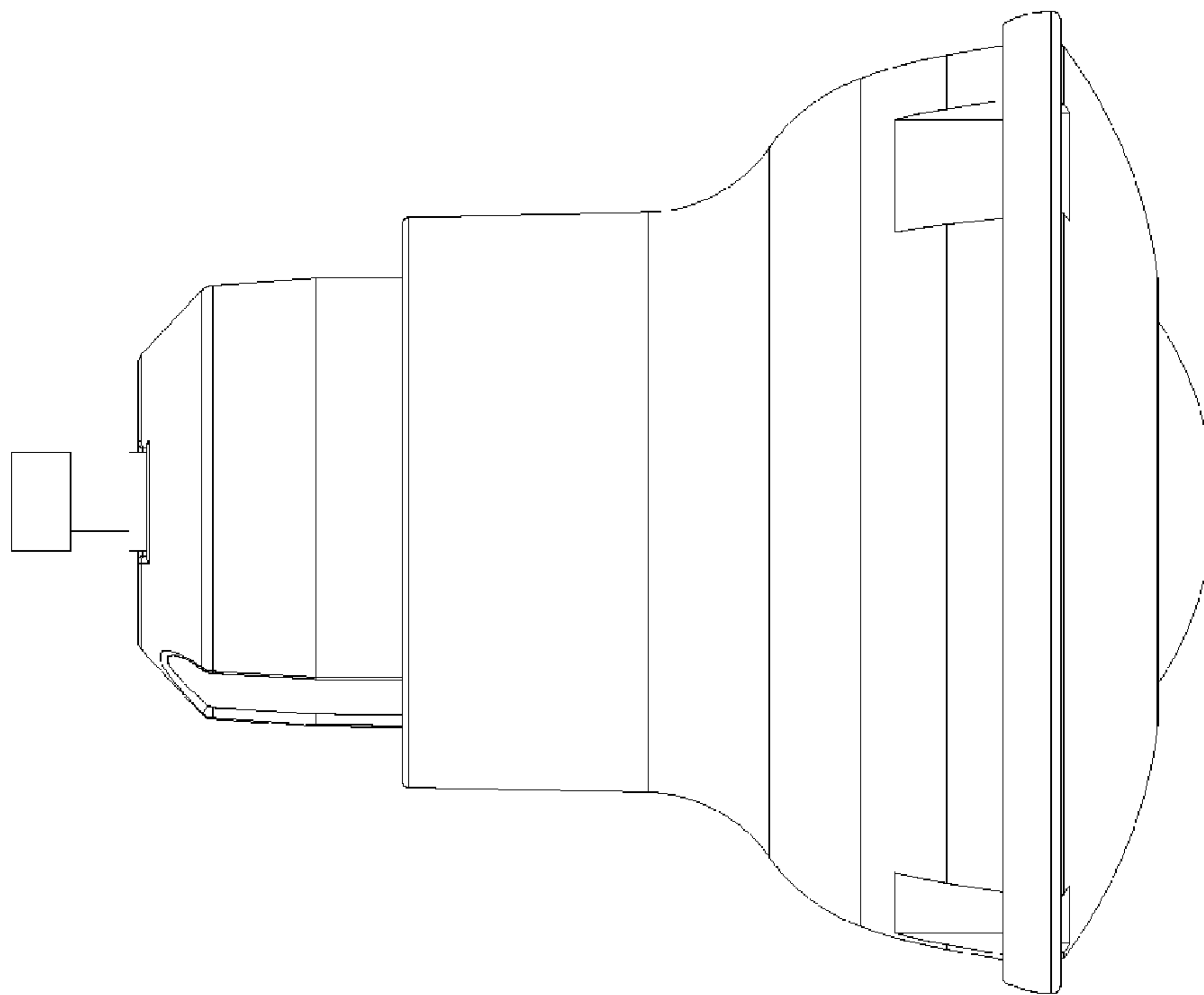


Fig. 12

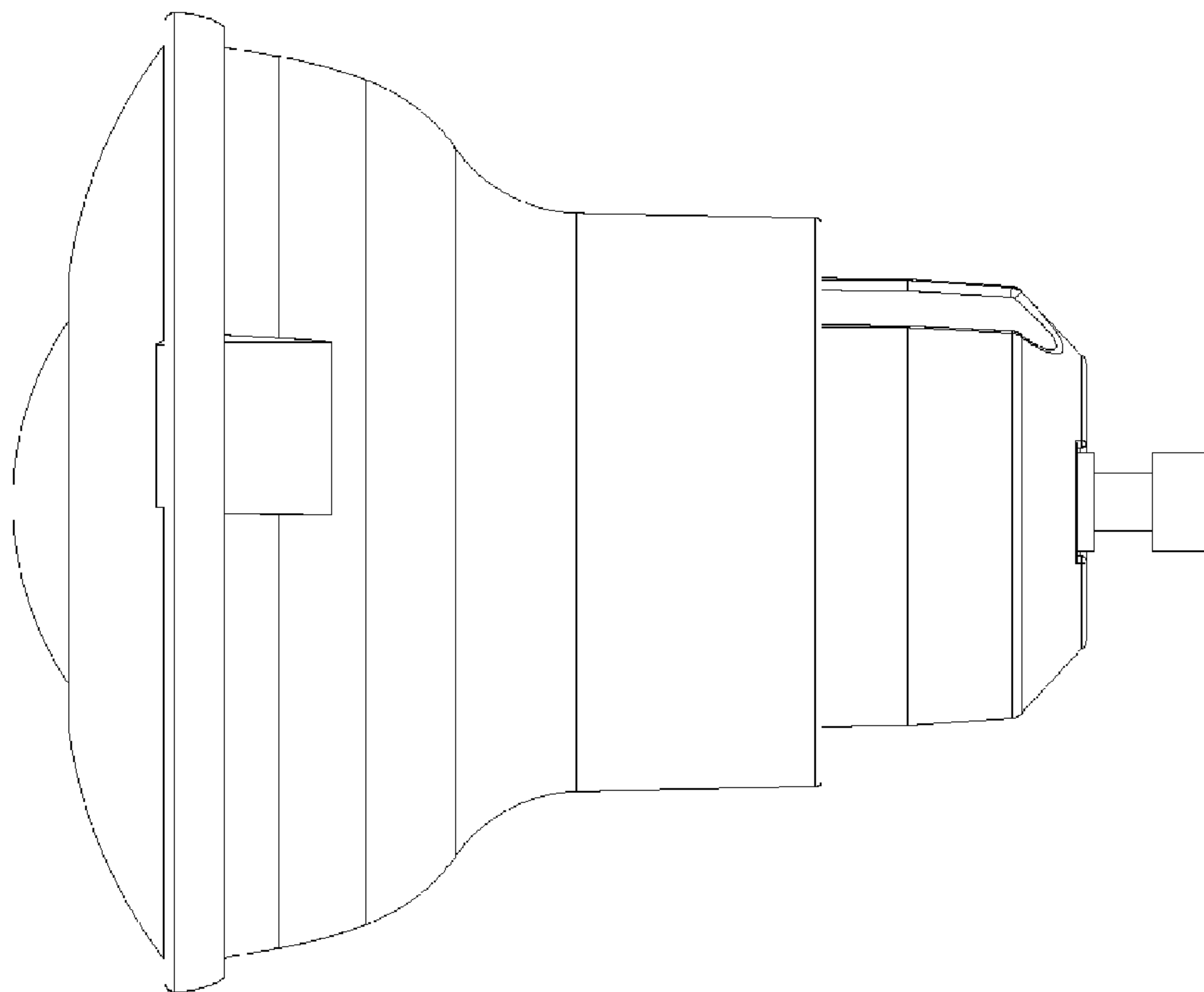


Fig. 13

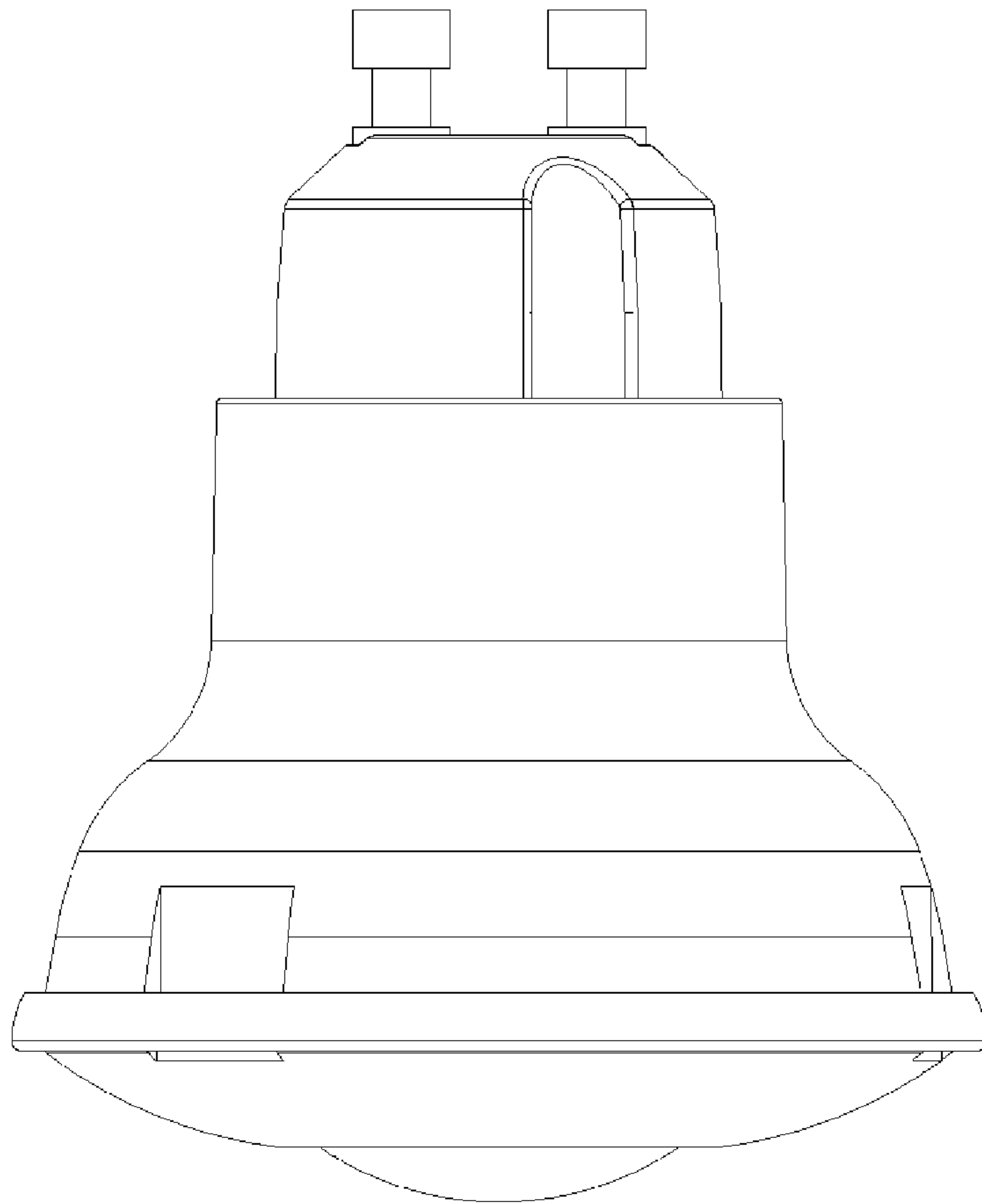


Fig. 14

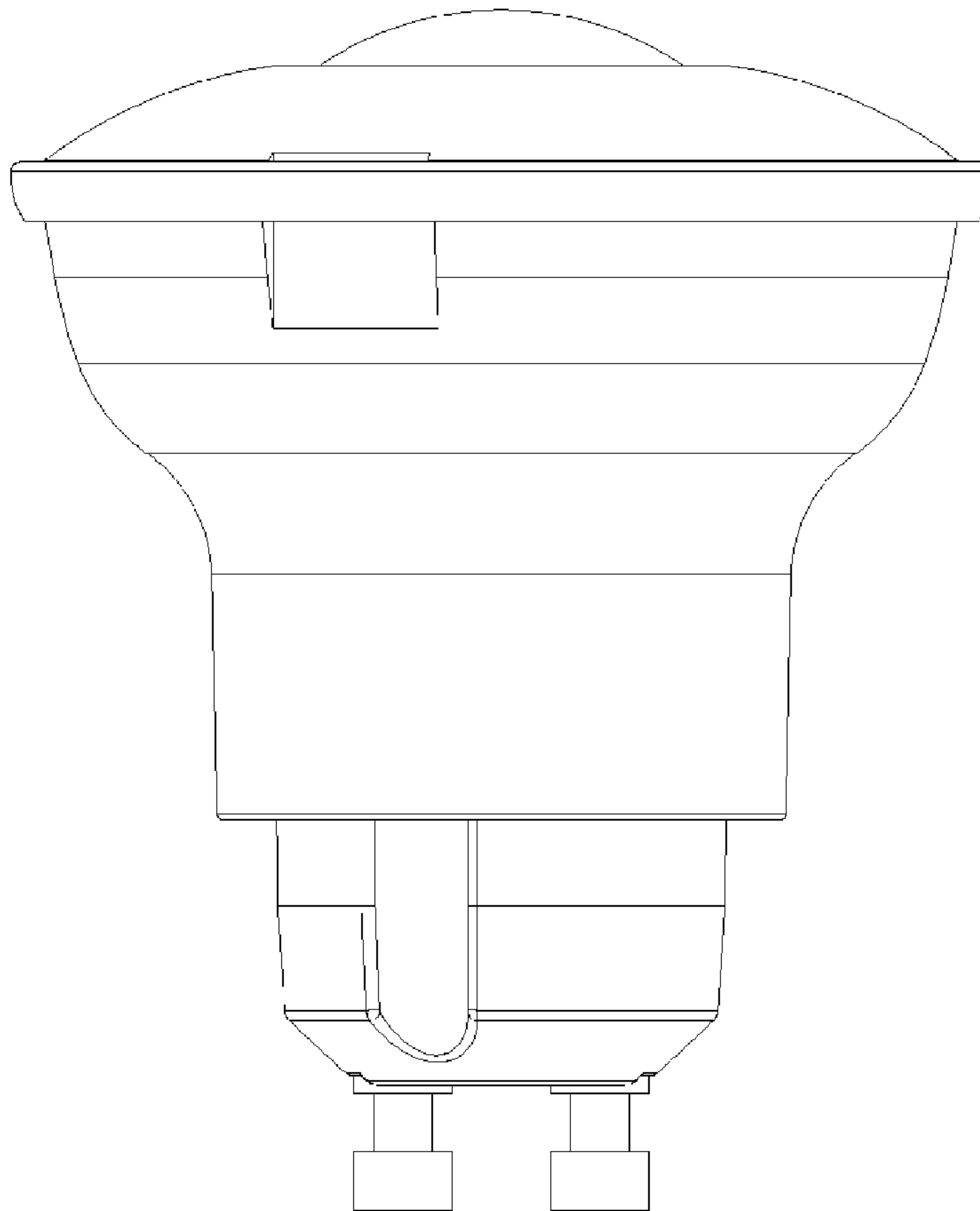


Fig. 15

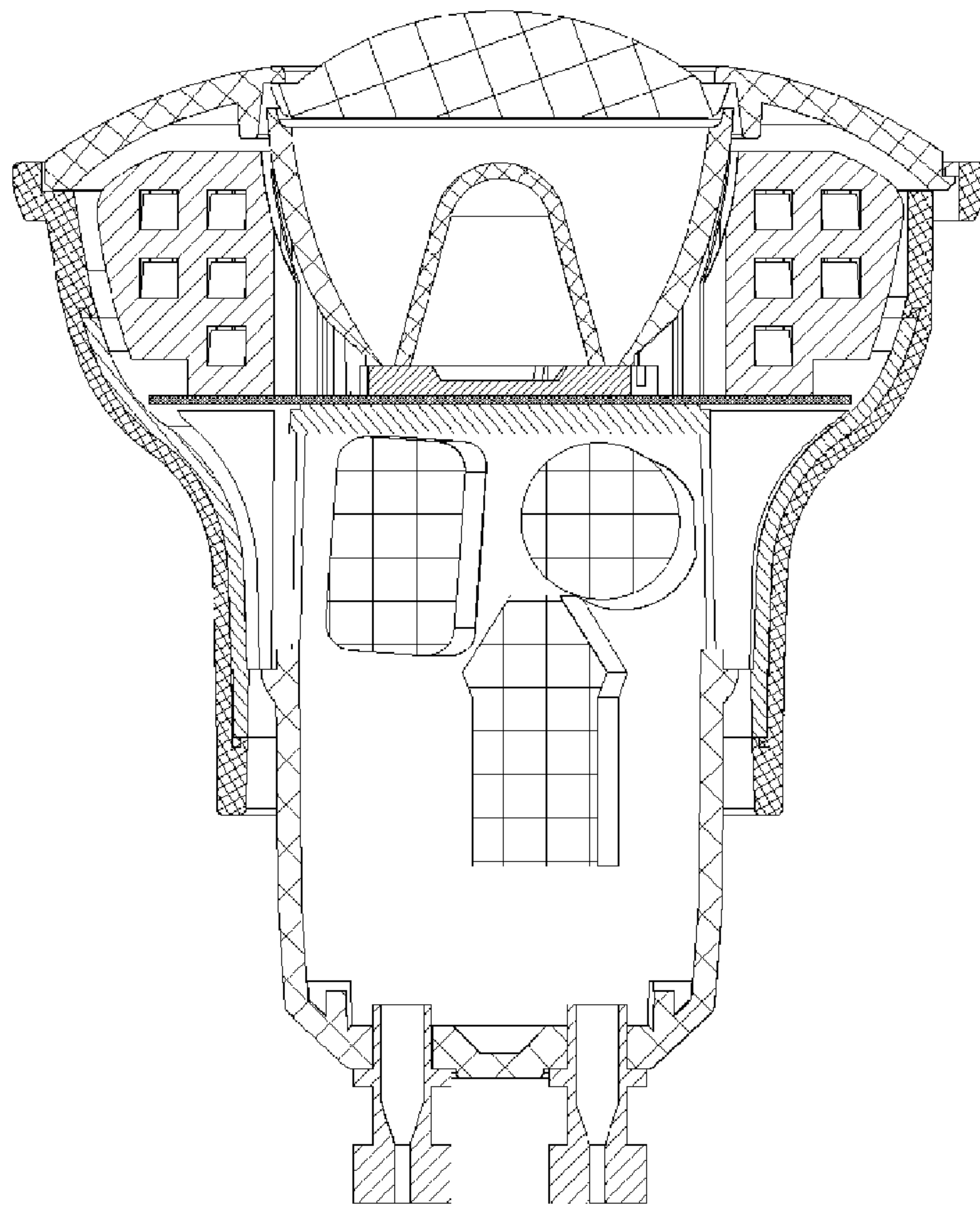


Fig. 16