

US00D698950S

(12) **United States Design Patent**
Wink

(10) **Patent No.:** **US D698,950 S**

(45) **Date of Patent:** **** Feb. 4, 2014**

(54) **LANDSCAPE EDGING**

(76) Inventor: **John A. Wink**, Riverview, FL (US)

(**) Term: **14 Years**

(21) Appl. No.: **29/425,419**

(22) Filed: **Jun. 22, 2012**

(51) **LOC (10) Cl.** **25-01**

(52) **U.S. Cl.**
USPC **D25/164**

(58) **Field of Classification Search**
USPC D25/164; 47/32.7, 33; 52/102
See application file for complete search history.

(56) **References Cited**

U.S. PATENT DOCUMENTS

D615,673 S * 5/2010 Flynn D25/164
2005/0034362 A1 * 2/2005 Anderson et al. 47/33

* cited by examiner

Primary Examiner — Doris Clark

(74) *Attorney, Agent, or Firm* — Miller, Matthias & Hull LLP

(57) **CLAIM**

The ornamental design for an landscape edging, as shown and described.

DESCRIPTION

This application claims priority to presently pending US. patent application Ser. No. 12/291,315, filed on Nov. 7, 2008, and entitled Landscape Edging System, which is herein incorporated by reference for all that it teaches without exclusion of any part thereof.

FIG. 1 is a front perspective view of my landscape edging showing my new design;

FIG. 2 is a rear perspective view of the landscape edging of FIG. 1;

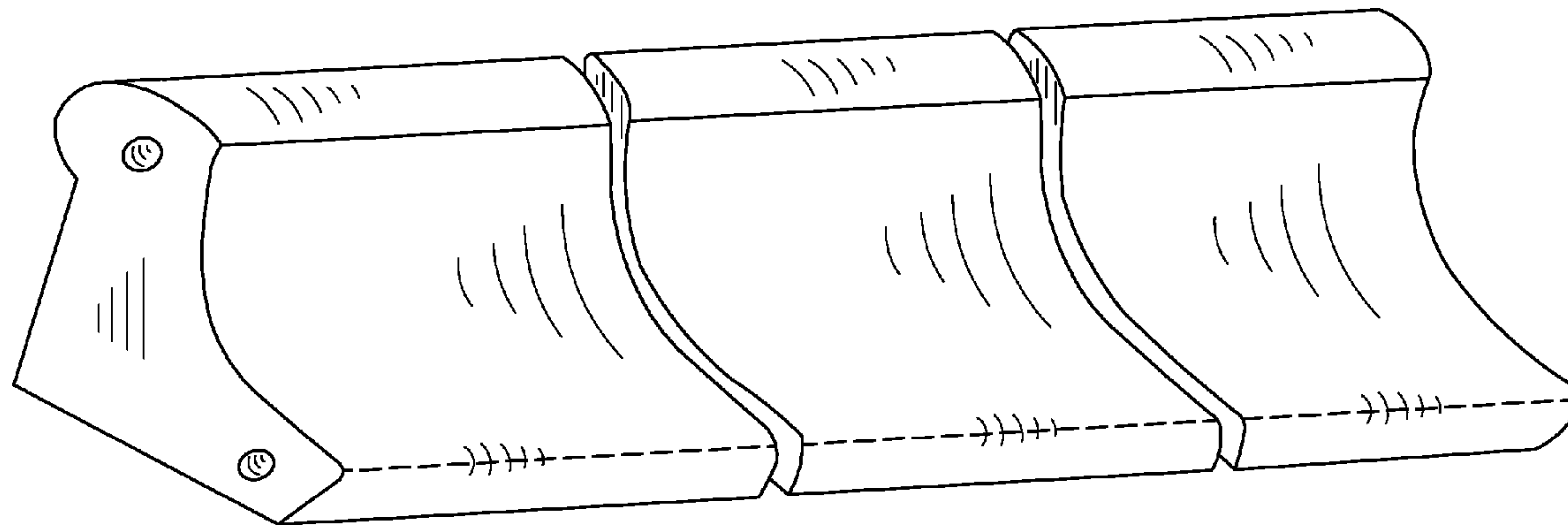
FIG. 3 is a side view of the landscape edging of FIG. 1;

FIG. 4 is a top view of the landscape edging of FIG. 1; and,

FIG. 5 is an underside view of the landscape edging of FIG. 1.

The broken lines depicted in the foregoing figures are for purposes of illustration only, and form no part of the claimed design.

1 Claim, 5 Drawing Sheets



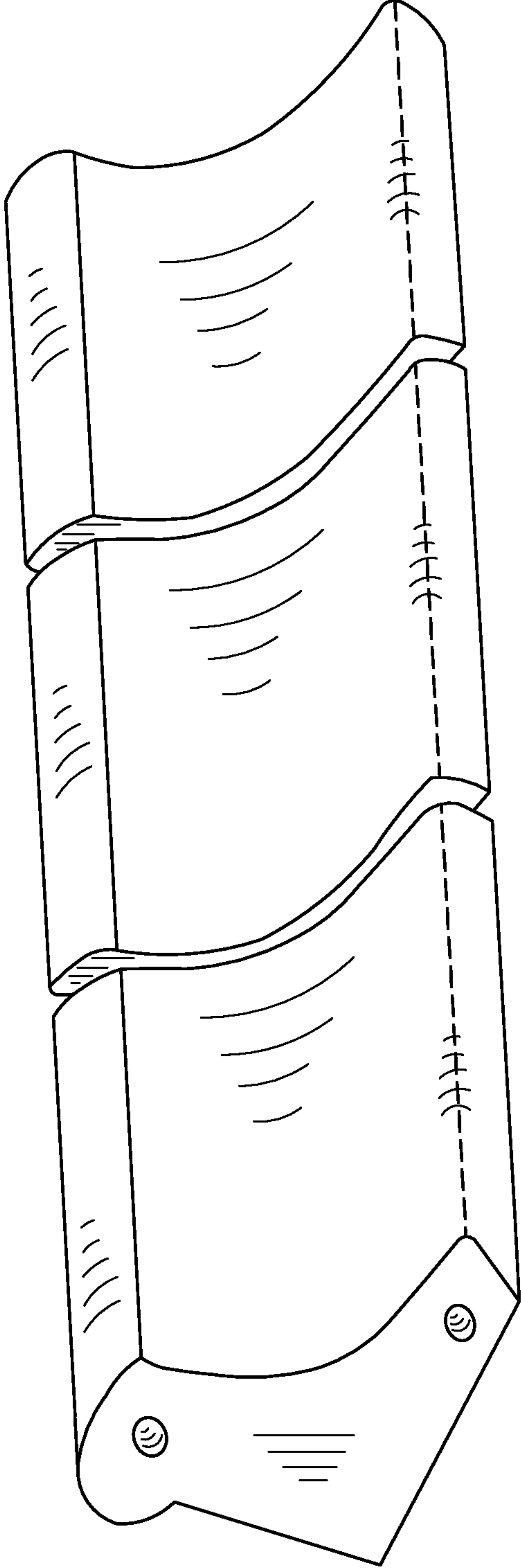


FIG. 1

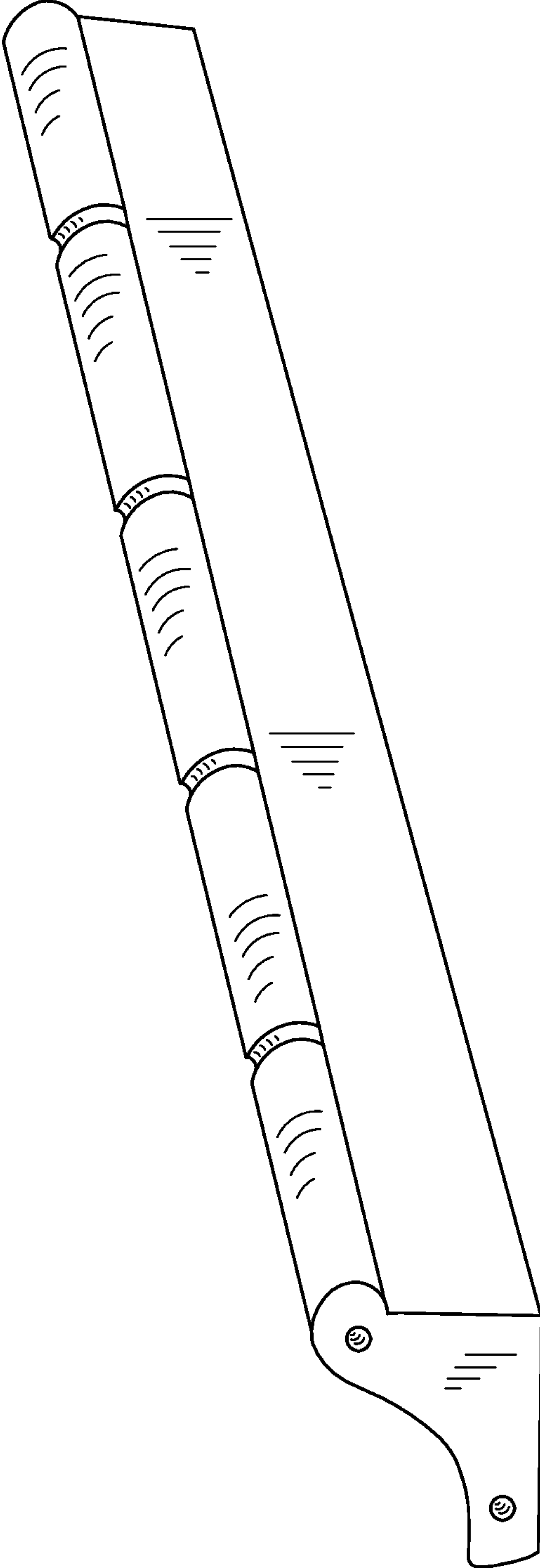


FIG. 2

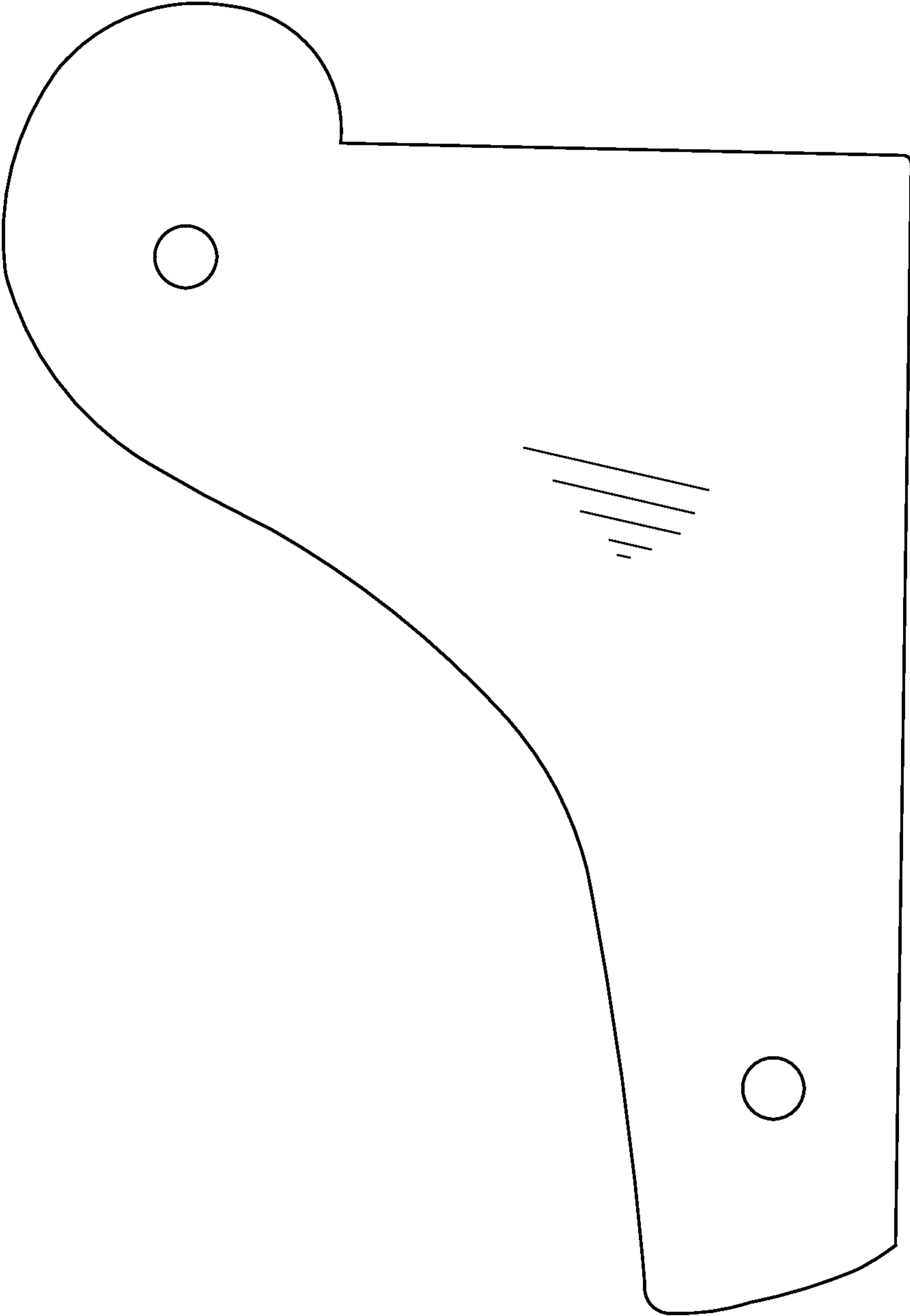


FIG. 3

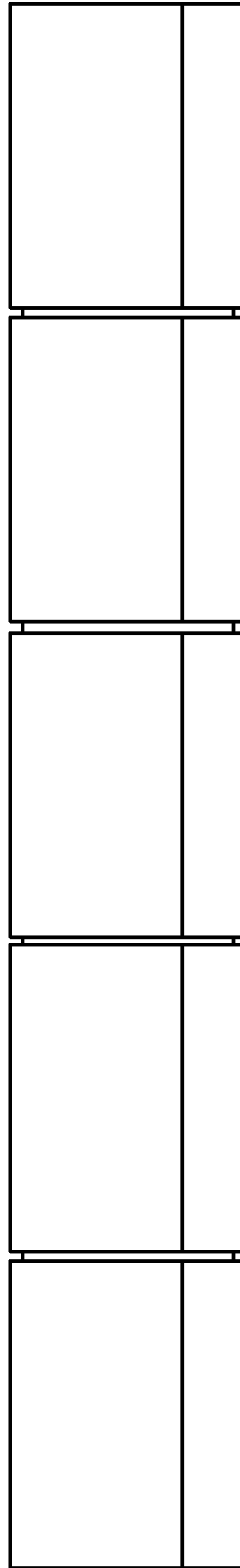


FIG. 4

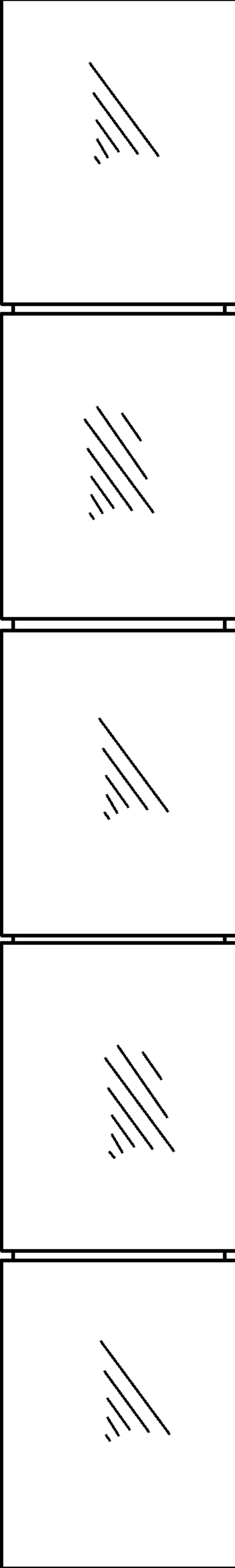


FIG. 5