



US00D698949S

(12) **United States Design Patent**
Rozas Andreu

(10) **Patent No.:** **US D698,949 S**
(45) **Date of Patent:** **** Feb. 4, 2014**

(54) **PROTECTOR AND SHOCK ABSORBER FOR A PILLAR OF A STORAGE STRUCTURE**

Primary Examiner — Doris Clark
(74) *Attorney, Agent, or Firm* — Ladas & Parry LLP

(75) Inventor: **Martin Rozas Andreu**, Santiago (CL)

(57) **CLAIM**

(73) Assignee: **Energias Naturales Limitada**, Santiago (CL)

The ornamental design for a protector and shock absorber for a pillar of a storage structure, as shown and described.

(**) Term: **14 Years**

DESCRIPTION

(21) Appl. No.: **29/424,540**

FIG. 1 is a perspective view from the front, top, and left side of the protector and shock absorber for a pillar of a storage structure;

(22) Filed: **Jun. 13, 2012**

FIG. 2 is a perspective view from the front, below and left side thereof;

(51) **LOC (10) CL.** **25-01**

FIG. 3 is a perspective view from the rear, below and the right side thereof;

(52) **U.S. CL.**

USPC **D25/126**

FIG. 4 is a front elevational view thereof;

(58) **Field of Classification Search**

USPC D25/126; 52/147, 150, 151; 256/65.02, 256/65.04, 65.14

FIG. 5 is a rear elevational view thereof;

See application file for complete search history.

FIG. 6 is a top plan view thereof;

FIG. 7 is a bottom plan view thereof;

FIG. 8 is a left side elevational view thereof, the right side elevational view being a mirror image thereof; and,

(56) **References Cited**

U.S. PATENT DOCUMENTS

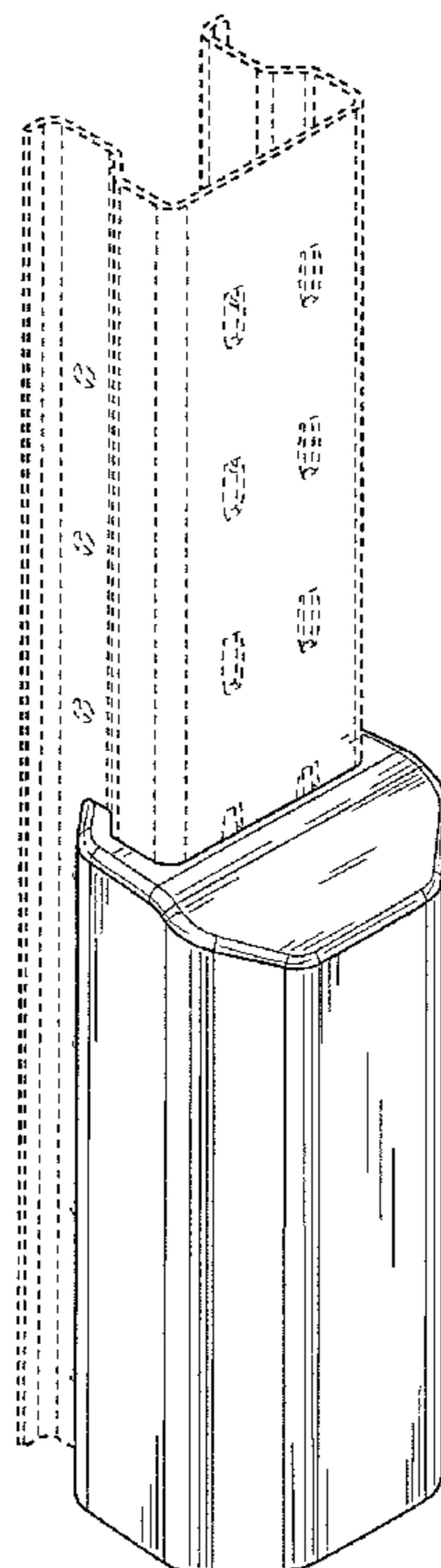
1,552,485	A *	9/1925	Hughes	52/147
3,798,856	A *	3/1974	Gloskowski	52/127.2
4,926,592	A *	5/1990	Nehls	52/98
6,988,340	B2 *	1/2006	Paulshus et al.	52/223.1
7,334,370	B2 *	2/2008	Fordyce et al.	52/165
D583,081	S *	12/2008	Ryan	D25/126

FIG. 9 is a perspective view showing the protector and shock absorber for a pillar of a storage structure in place of a pillar which is shown in dotted lines.

The broken lines in FIGS. 2, 3 and 7 are by way of illustration only and form no part of the claimed design and the broken lines defining the pillar in FIG. 9 illustrate environment only and form no part of the claimed designs.

* cited by examiner

1 Claim, 8 Drawing Sheets



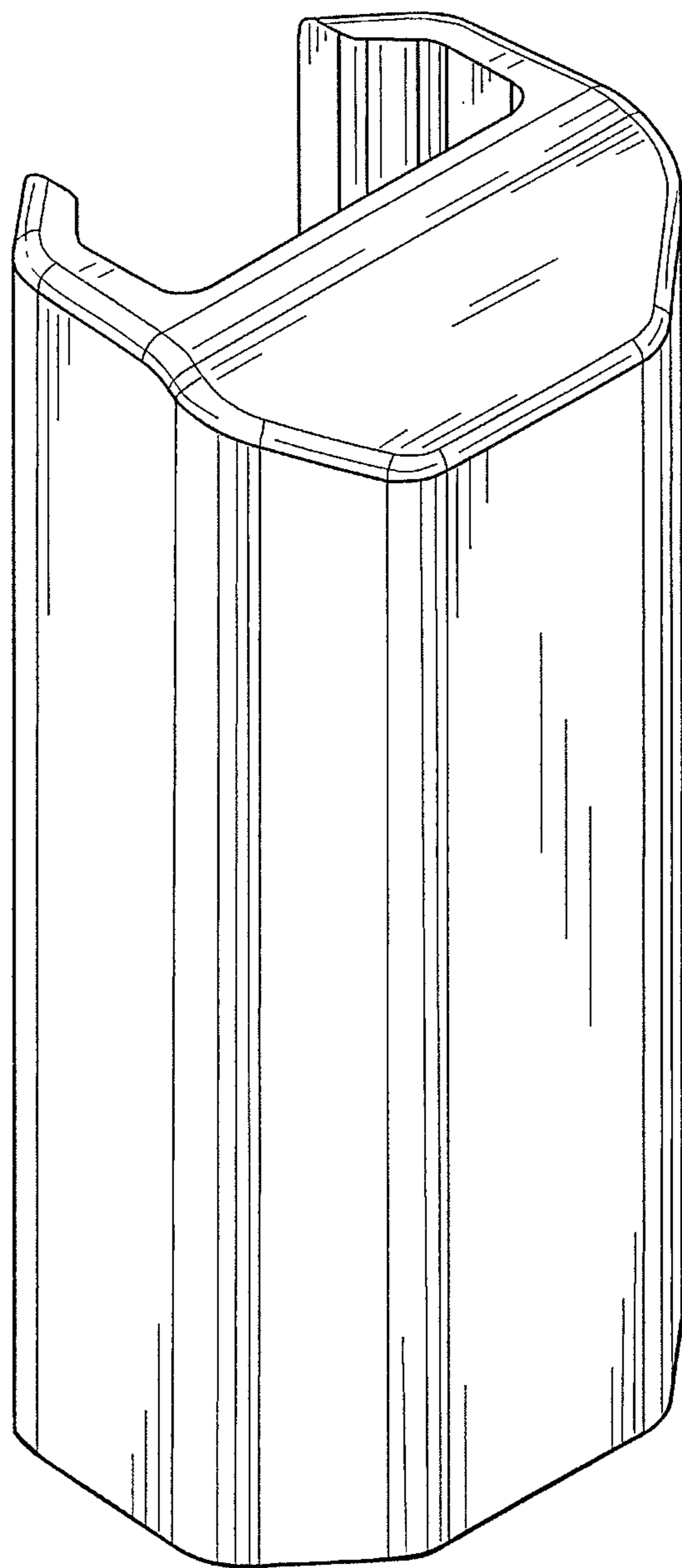


FIG. 1

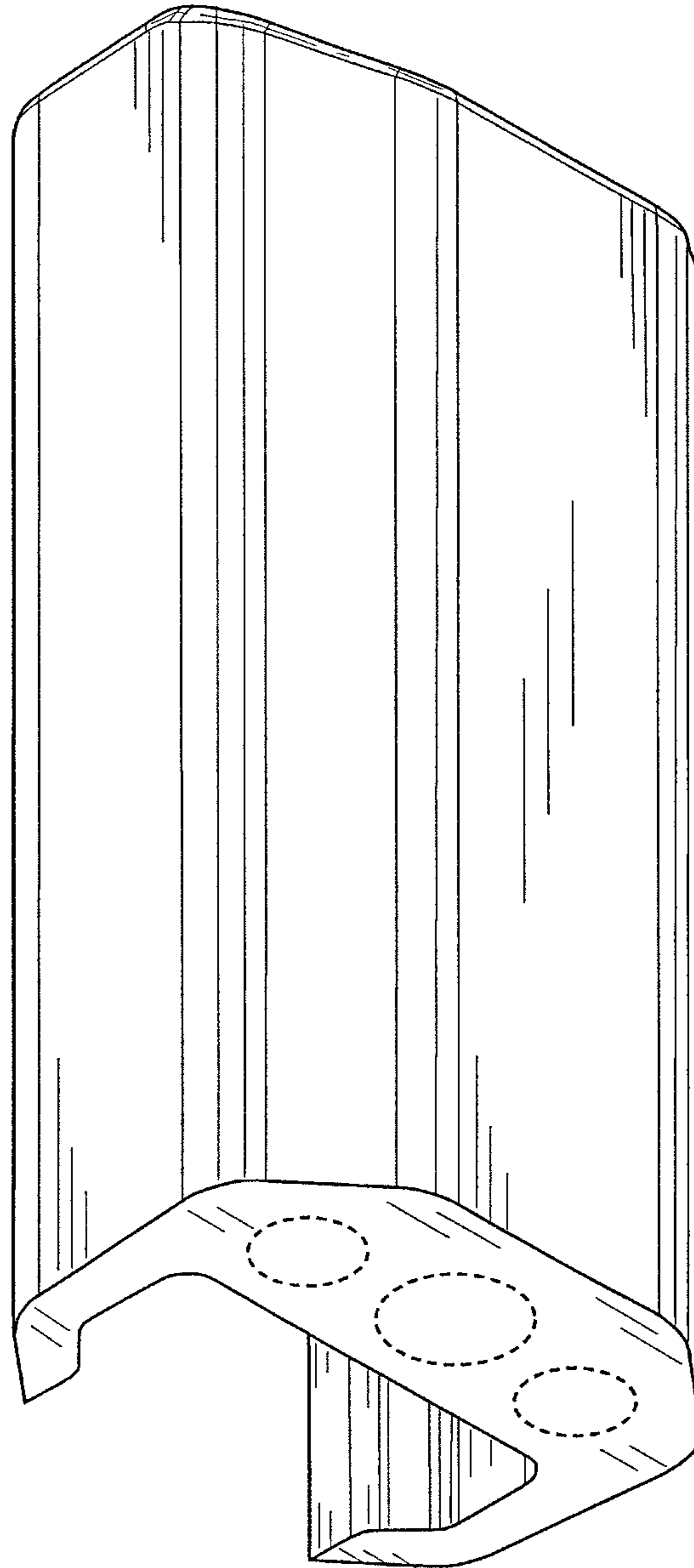


FIG. 2

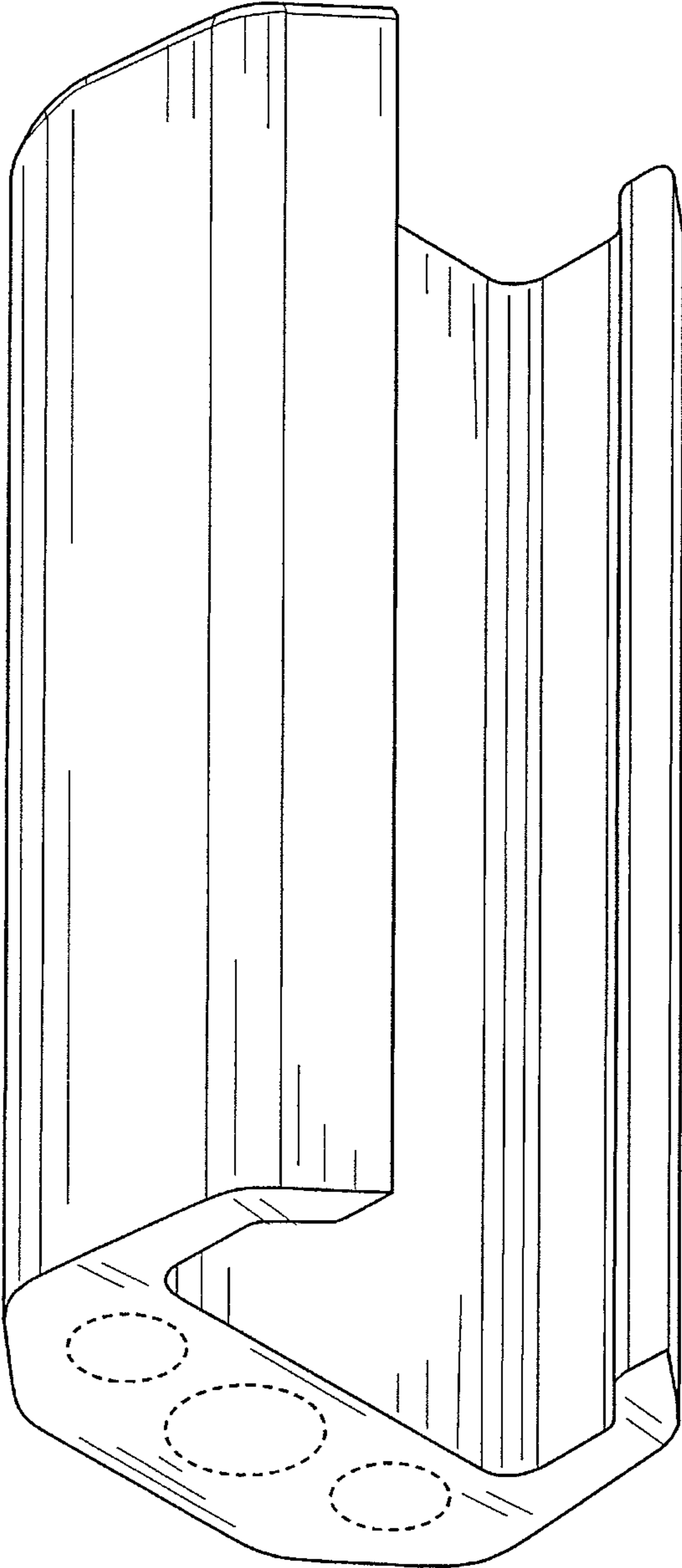


FIG. 3

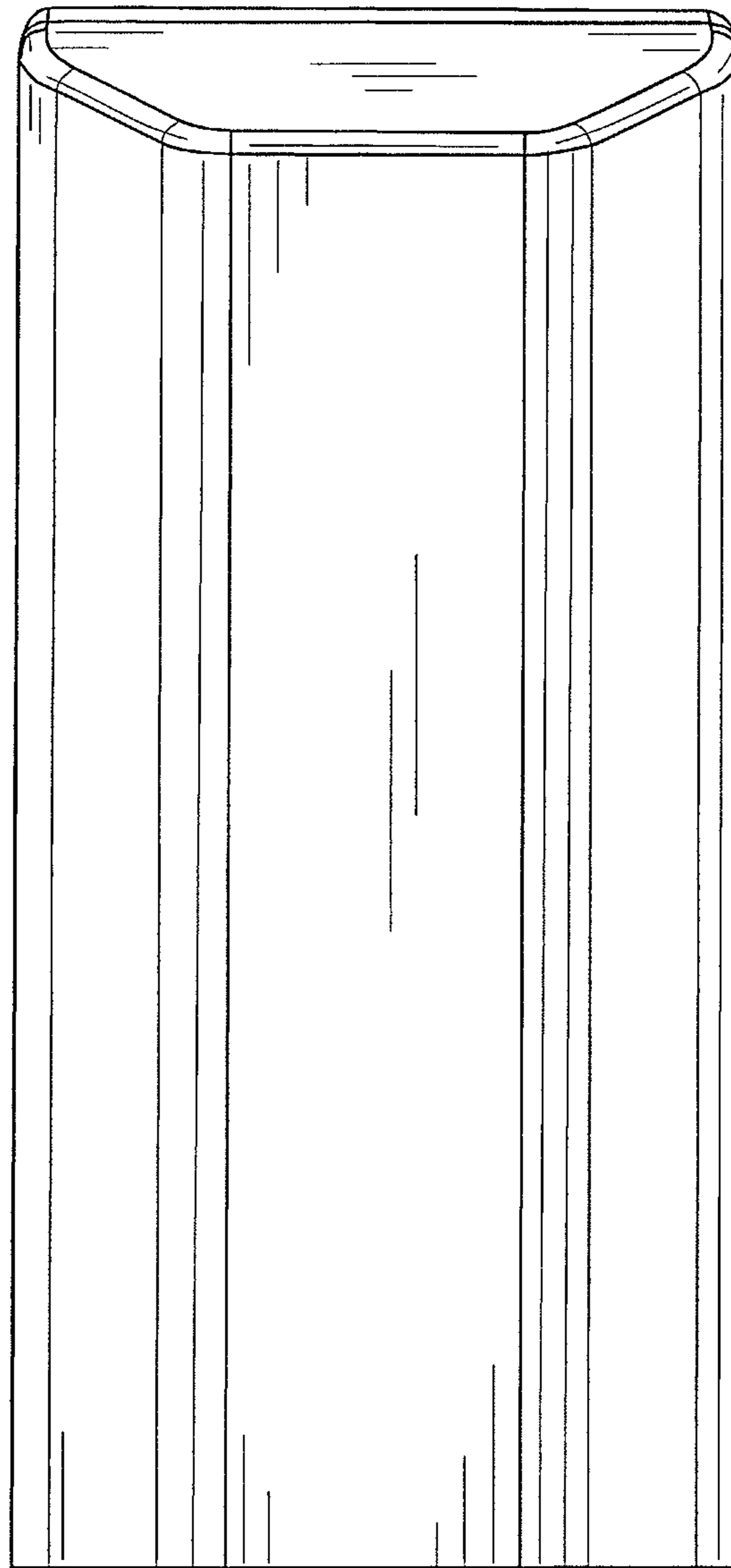


FIG. 4

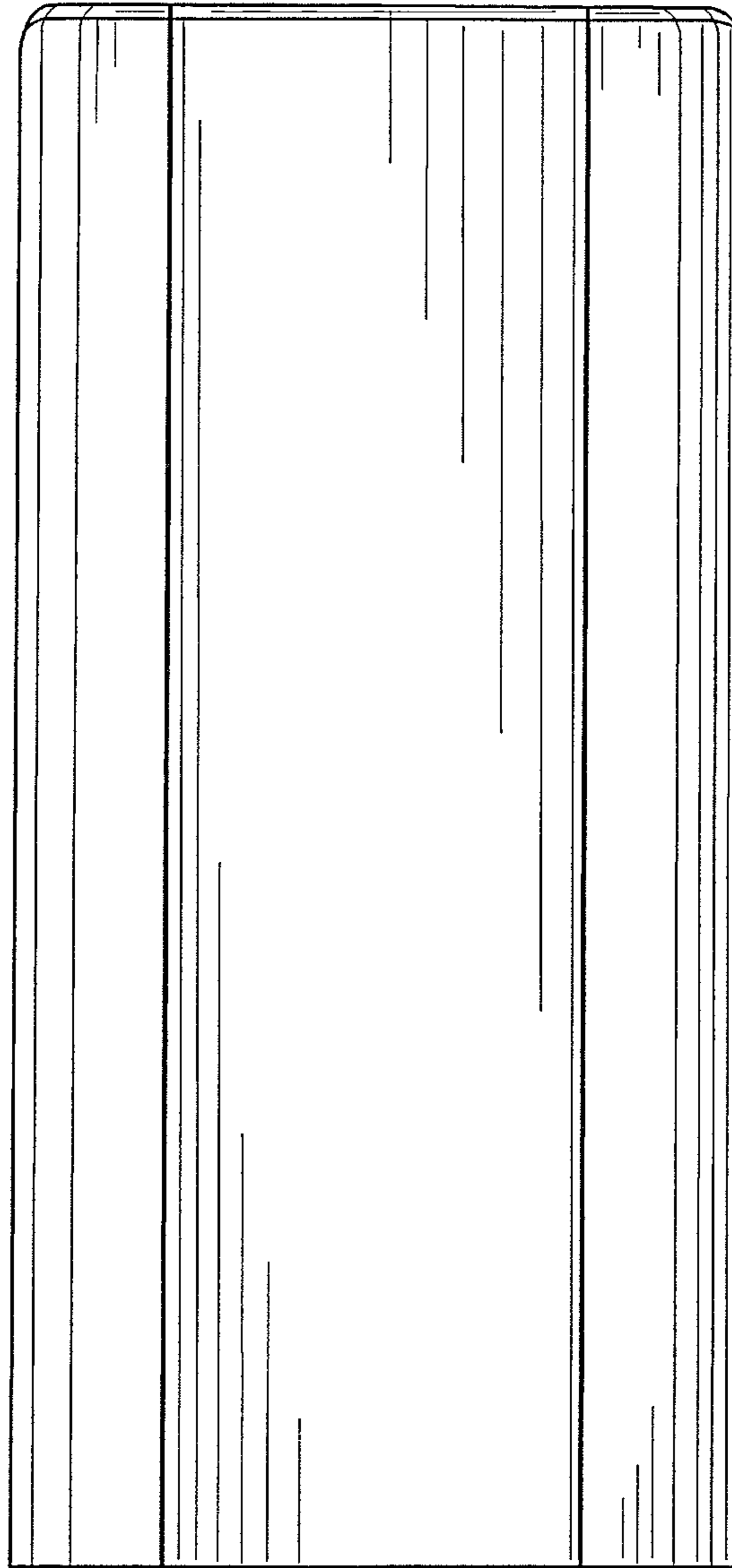


FIG. 5

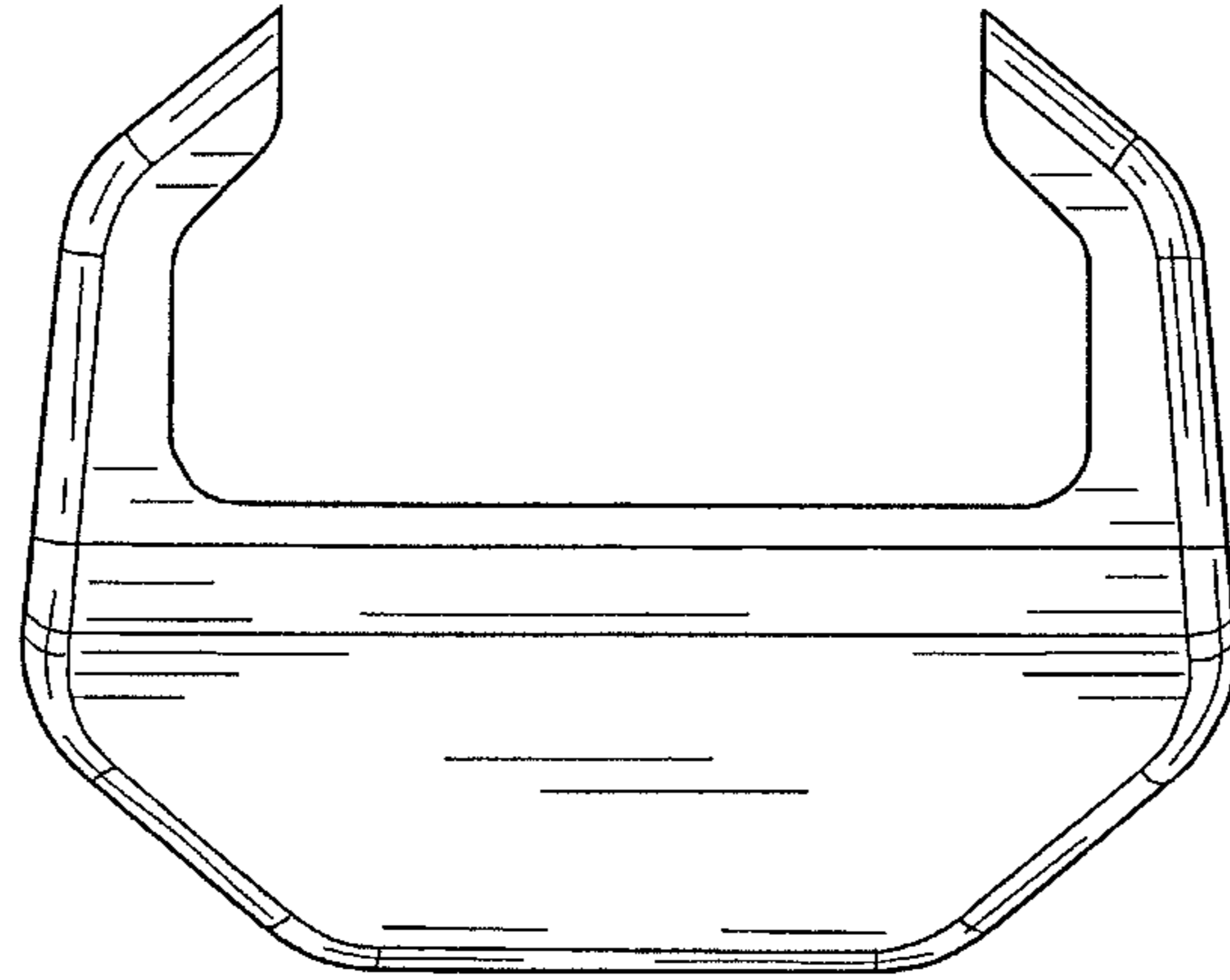


FIG. 6

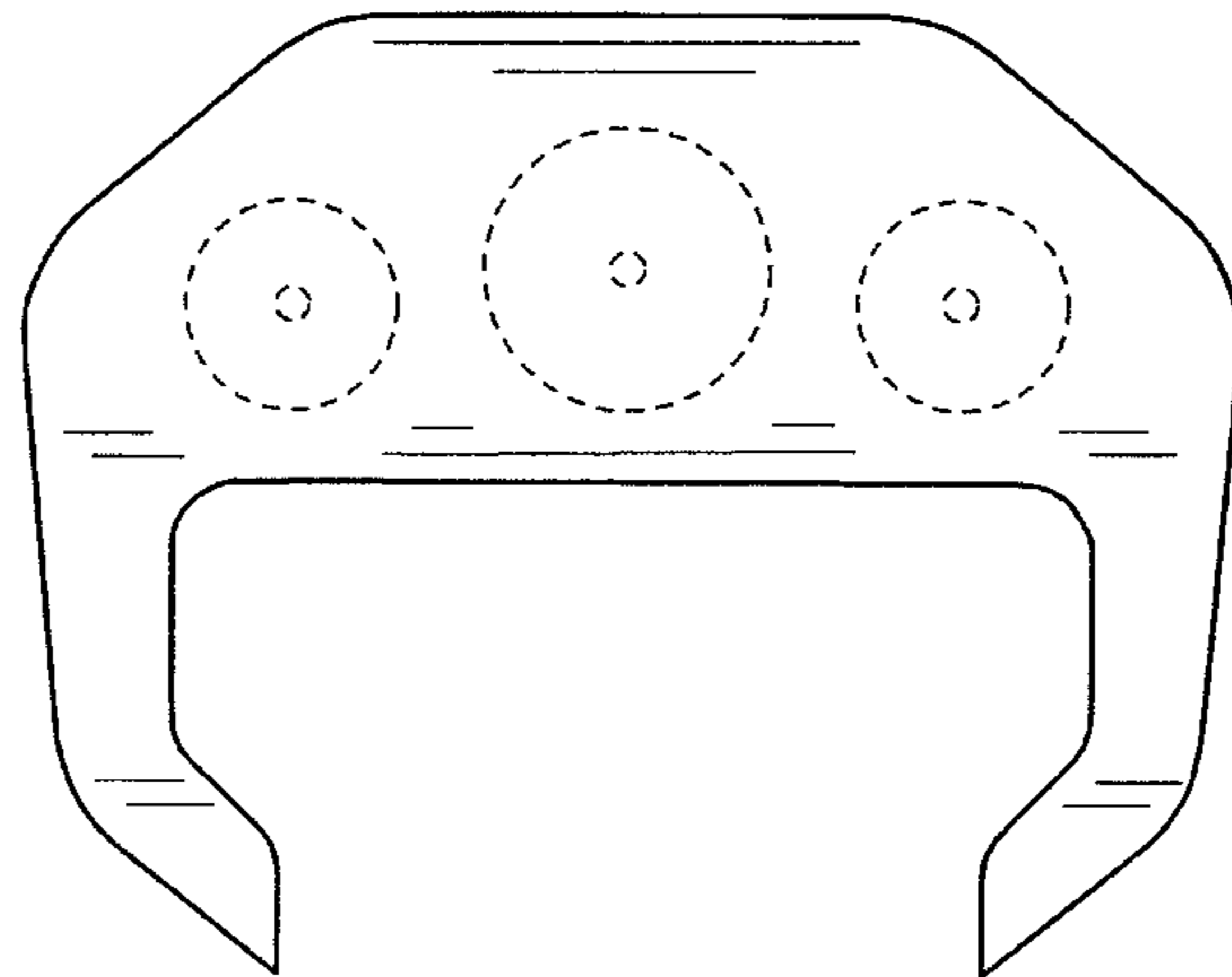


FIG. 7

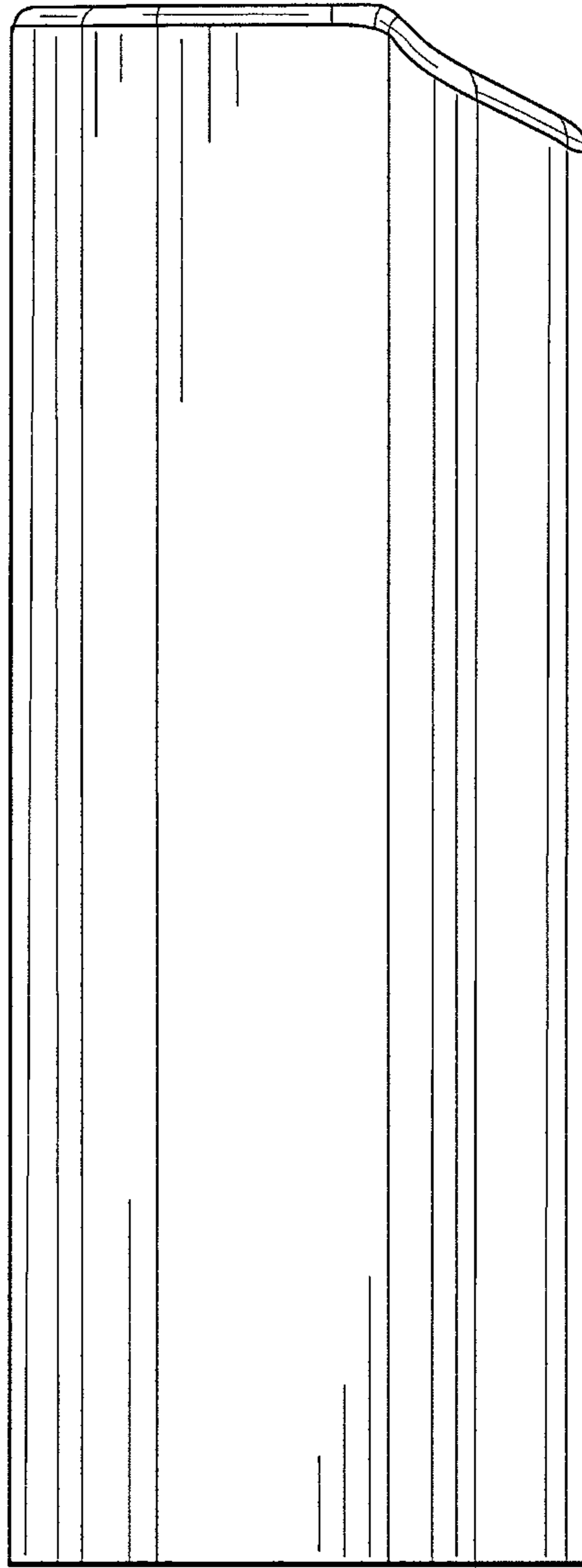


FIG. 8

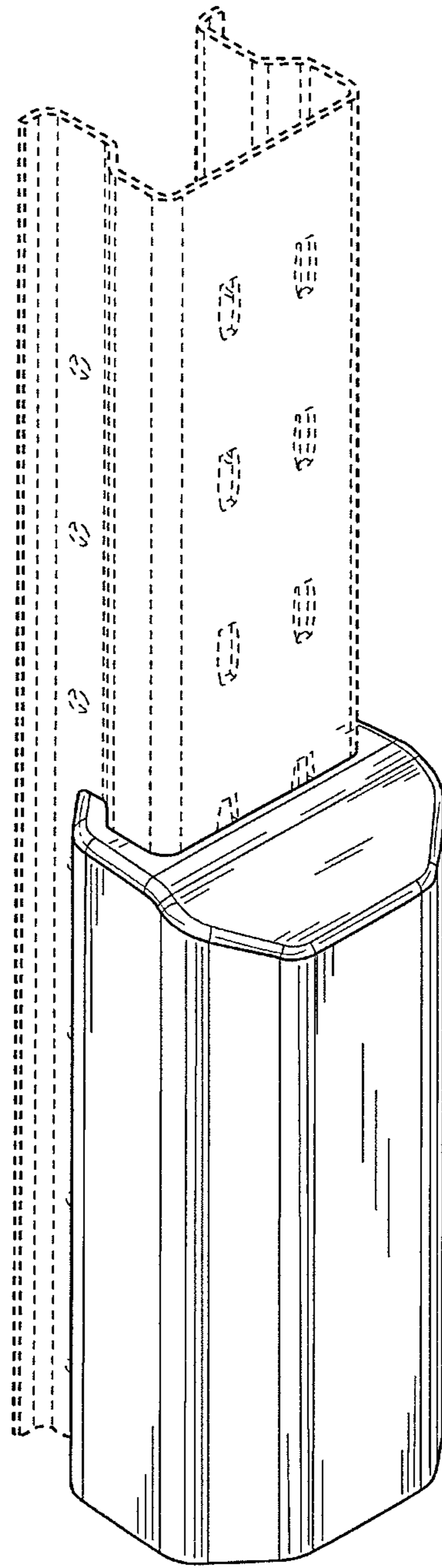


FIG. 9