



US00D698940S

(12) **United States Design Patent**  
**Pribenszky**

(10) **Patent No.:** **US D698,940 S**

(45) **Date of Patent:** **\*\* Feb. 4, 2014**

(54) **CULTURE DISH**

D578,654 S \* 10/2008 Chianea ..... D24/224  
D608,900 S \* 1/2010 Giraud et al. .... D24/216  
D629,120 S \* 12/2010 Lafond ..... D24/224

(71) Applicant: **Vitrolife Kft**, Budapest (HU)

\* cited by examiner

(72) Inventor: **Csaba Pribenszky**, Budapest (HU)

*Primary Examiner* — Anhdao Doan

(73) Assignee: **Vitrolife Kft** (HU)

(74) *Attorney, Agent, or Firm* — Banner & Witcoff, Ltd.

(\*\*) Term: **14 Years**

(57) **CLAIM**

(21) Appl. No.: **29/453,159**

The ornamental design for a culture dish, as shown and described.

(22) Filed: **Apr. 25, 2013**

**DESCRIPTION**

(51) **LOC (10) Cl.** ..... **24-01**

(52) **U.S. Cl.**

USPC ..... **D24/224**

(58) **Field of Classification Search**

USPC ..... D24/216, 223, 224, 225, 226, 227, 229,  
D24/230, 231, 232; D10/81; D9/756, 759,  
D9/760, 503, 504, 435, 436, 444, 445,  
D9/454; D7/550.1, 553.1, 553.2, 553.5,  
D7/553.6, 553.8, 554.2, 554.3, 538, 542;  
435/288.1–288.4, 304.1–304.3, 305.1,  
435/305.2, 307, 294.1; 422/547, 549,  
422/550–559

See application file for complete search history.

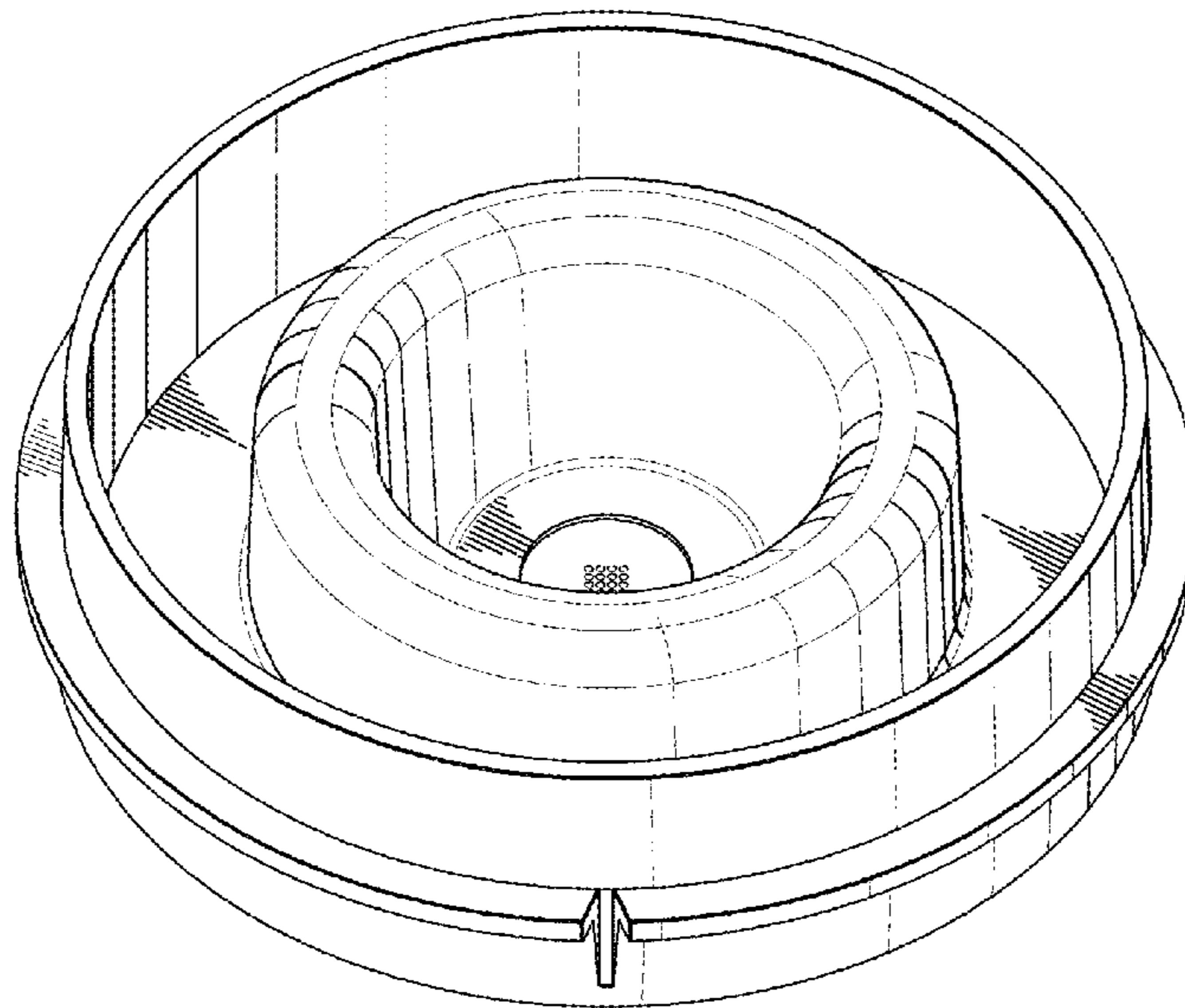
FIG. 1 is a top perspective view for a culture dish showing my new design;  
FIG. 2 is a bottom perspective view thereof;  
FIG. 3 is a top plan view thereof;  
FIG. 4 is a bottom plan view thereof;  
FIG. 5 is a front view thereof;  
FIG. 6 is a rear view thereof;  
FIG. 7 is a cross sectional view thereof taken through the center line between the front and the rear of the culture dish;  
FIG. 8 is a top perspective view for a culture dish showing a second embodiment of my new design;  
FIG. 9 is a bottom perspective view thereof;  
FIG. 10 is a top plan view thereof;  
FIG. 11 is a bottom plan view thereof;  
FIG. 12 is a front view thereof;  
FIG. 13 is a rear view thereof; and,  
FIG. 14 is a cross sectional view thereof taken through the center line between the front and the rear of the culture dish.

(56) **References Cited**

**U.S. PATENT DOCUMENTS**

D278,931 S \* 5/1985 Larsson et al. .... D24/224  
4,668,633 A \* 5/1987 Walton ..... 435/305.2  
D425,624 S \* 5/2000 Choi ..... D24/224  
D563,560 S \* 3/2008 Copeland ..... D24/224

**1 Claim, 8 Drawing Sheets**



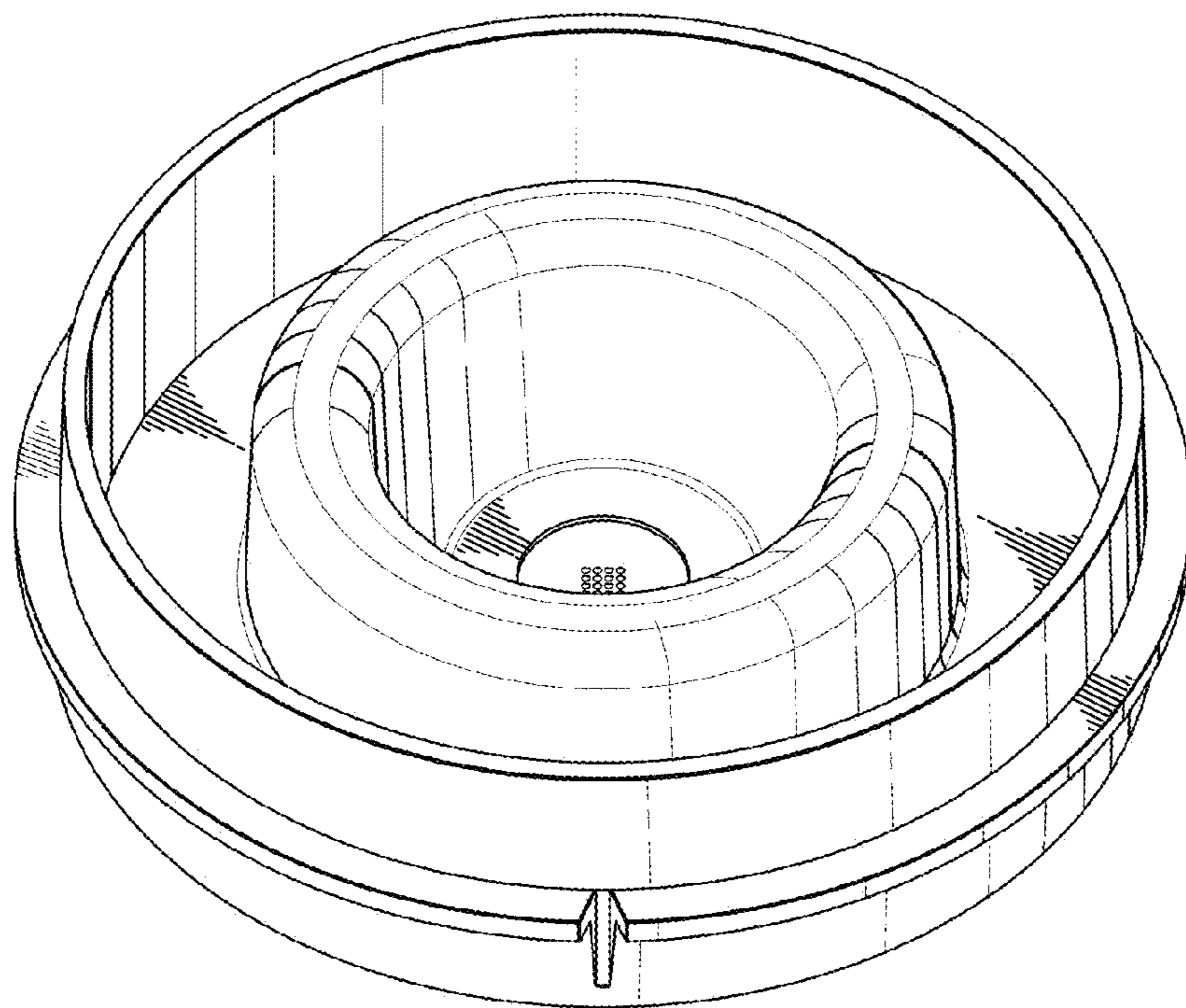


FIG. 1

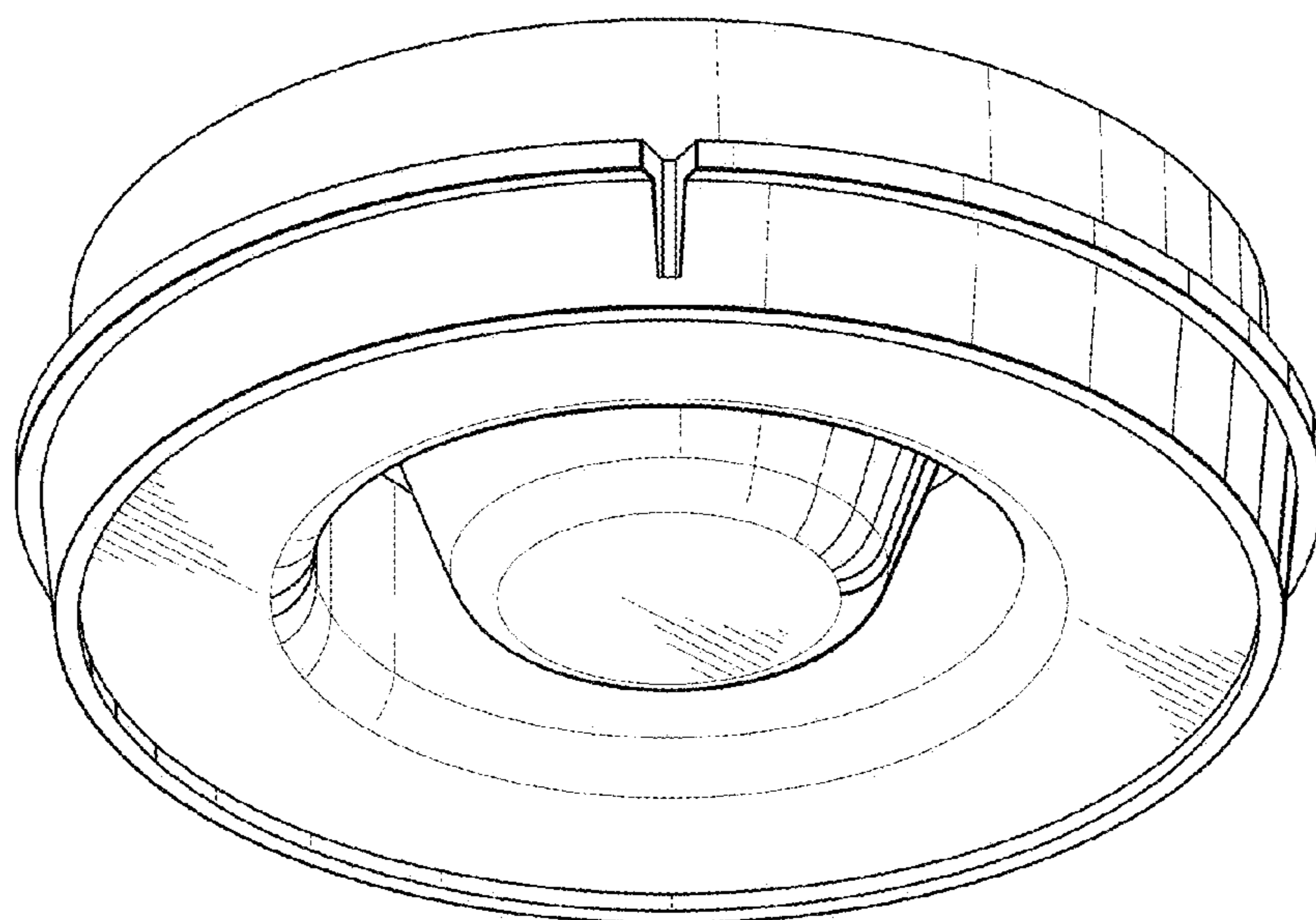
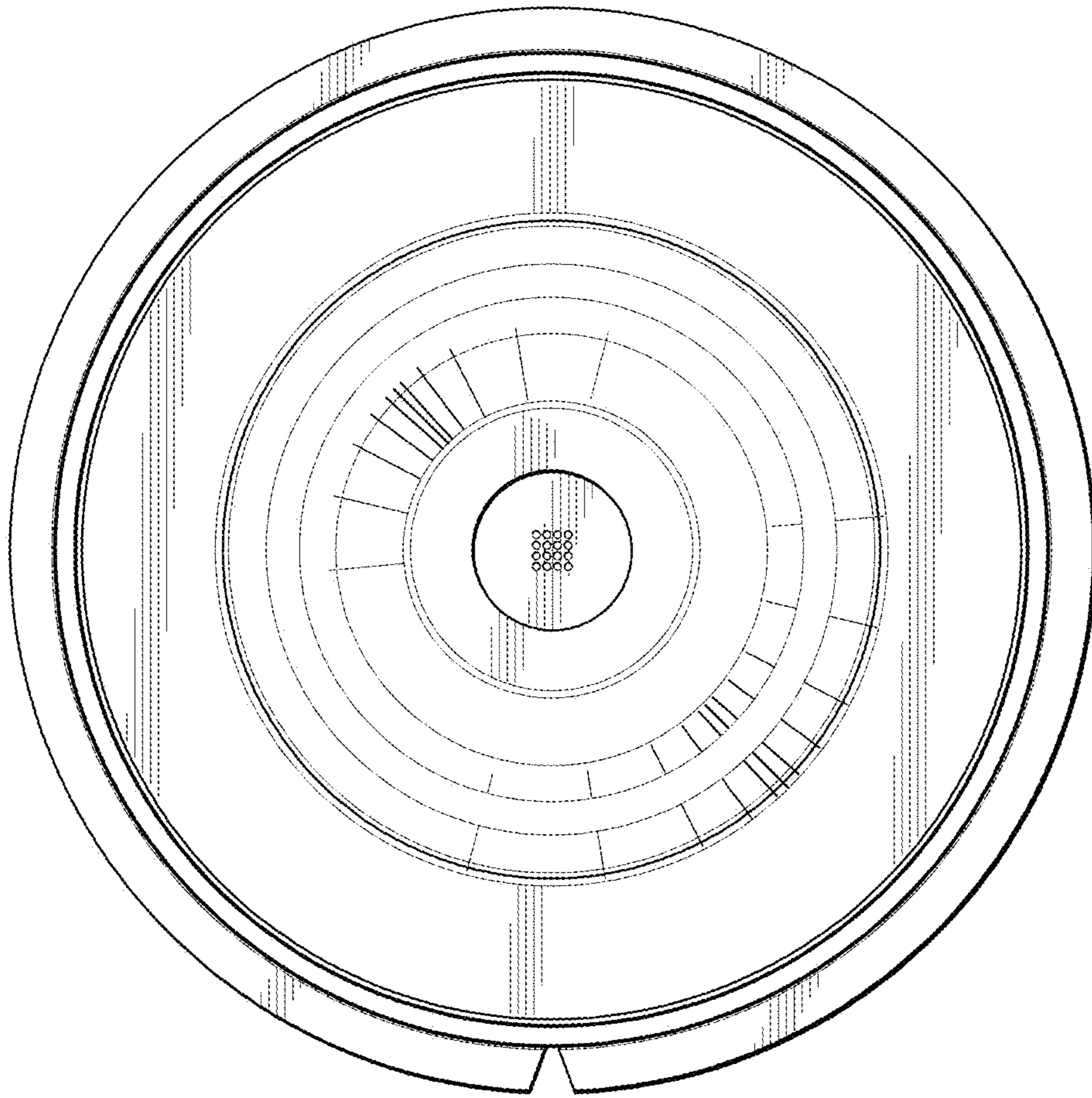
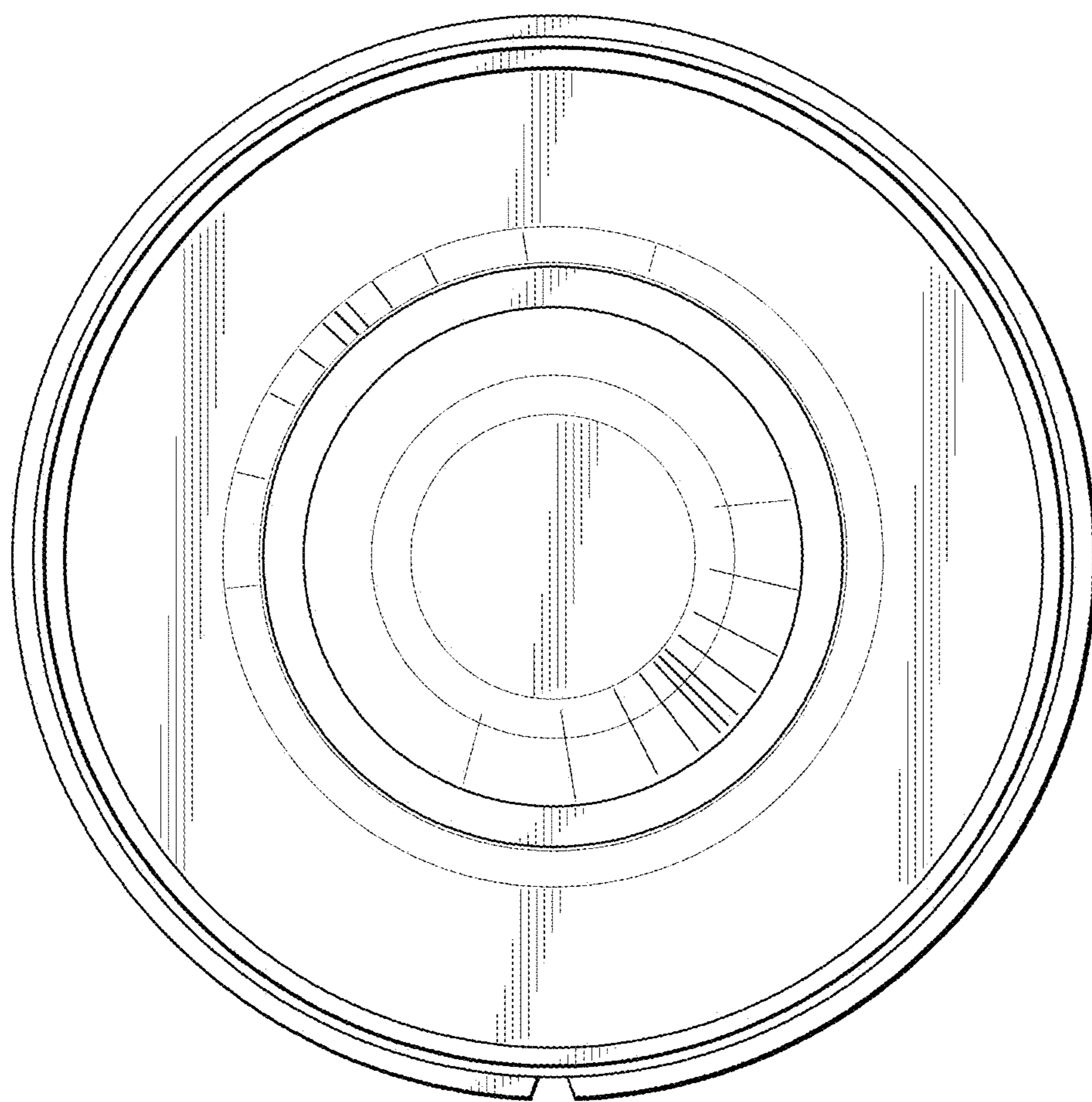


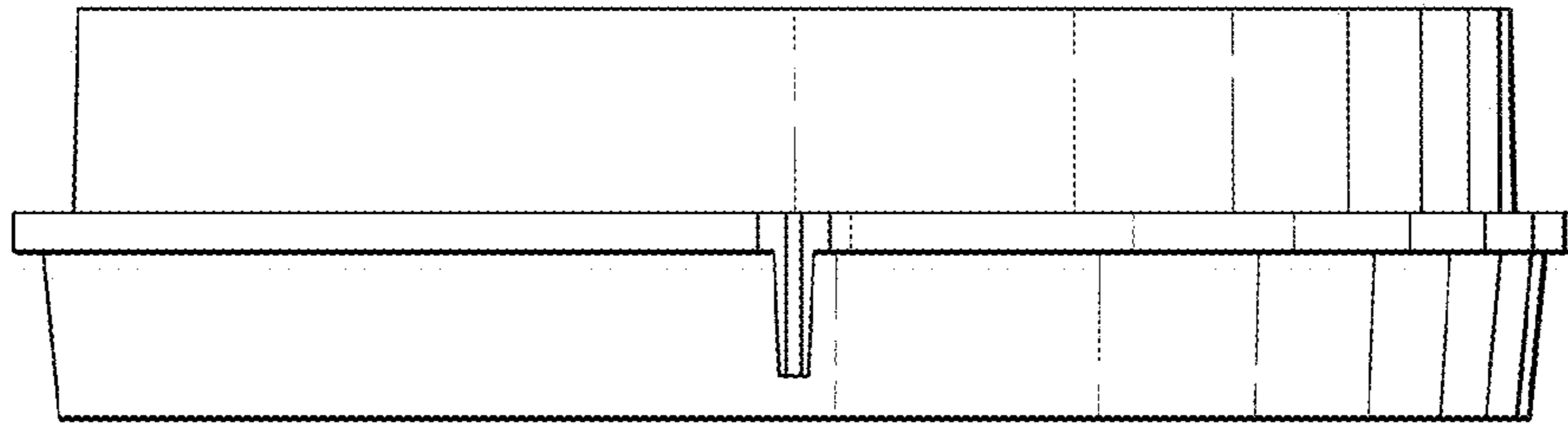
FIG. 2



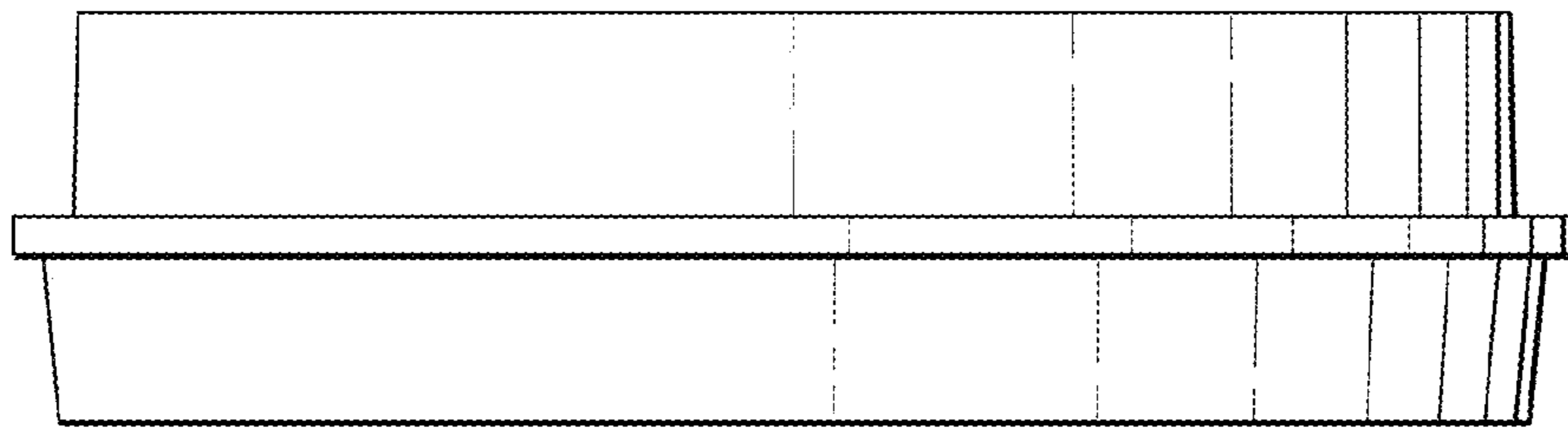
*FIG. 3*



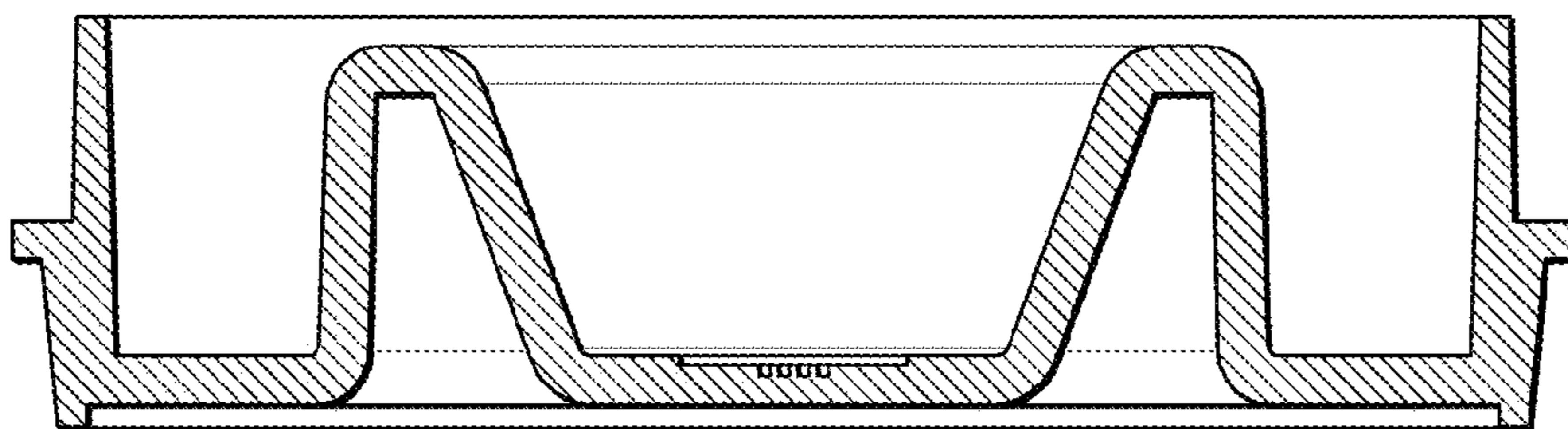
*FIG. 4*



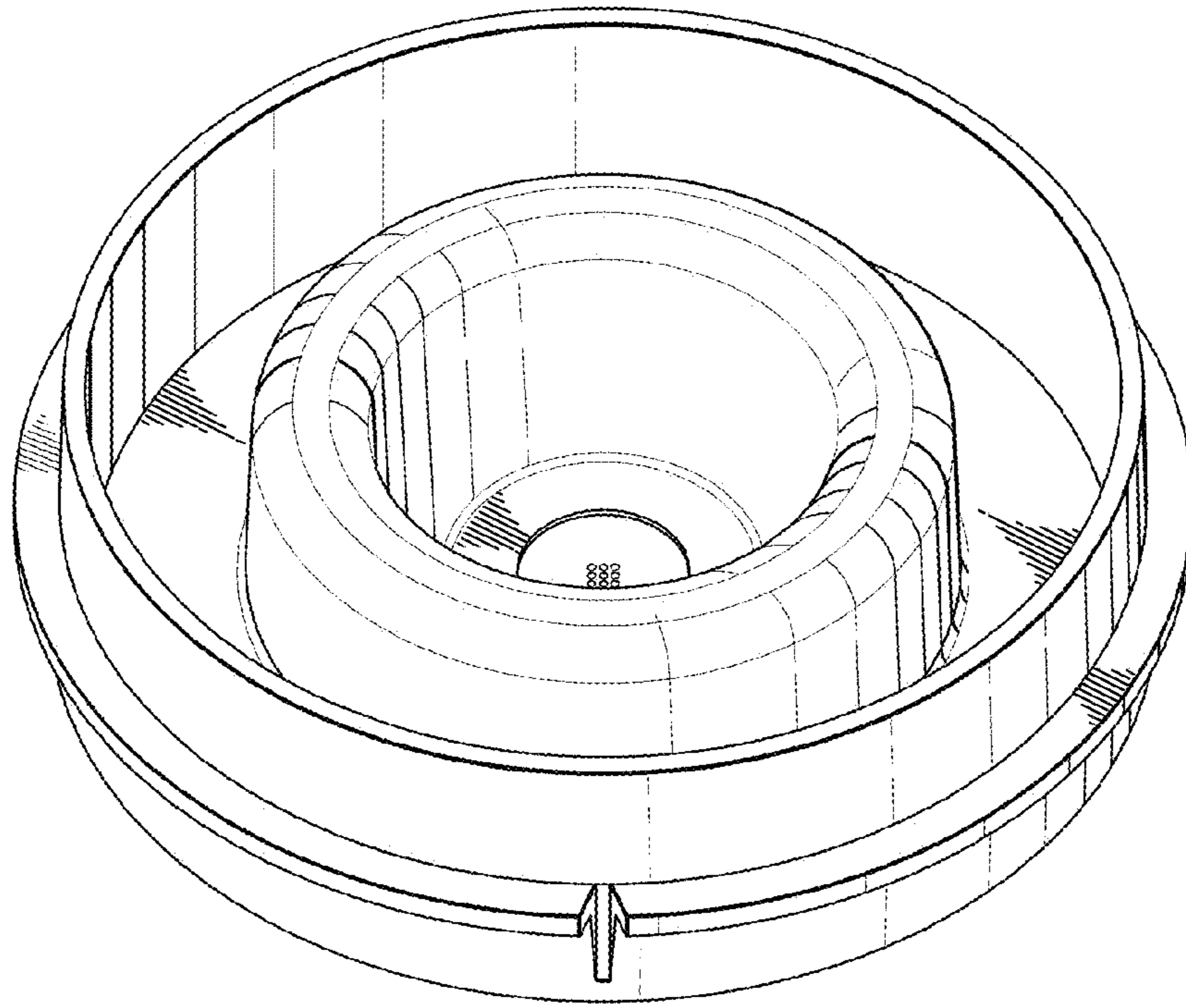
*FIG. 5*



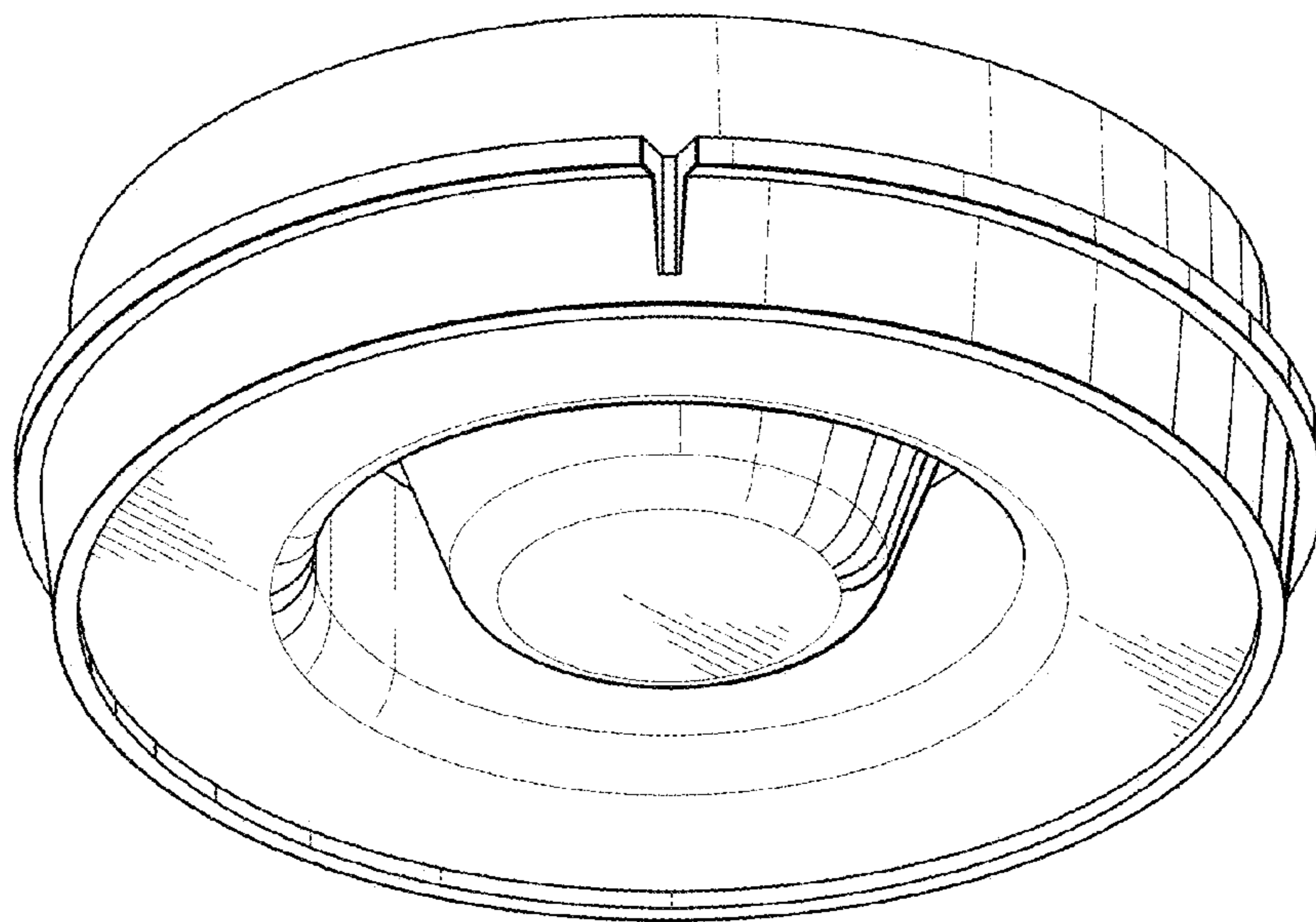
*FIG. 6*



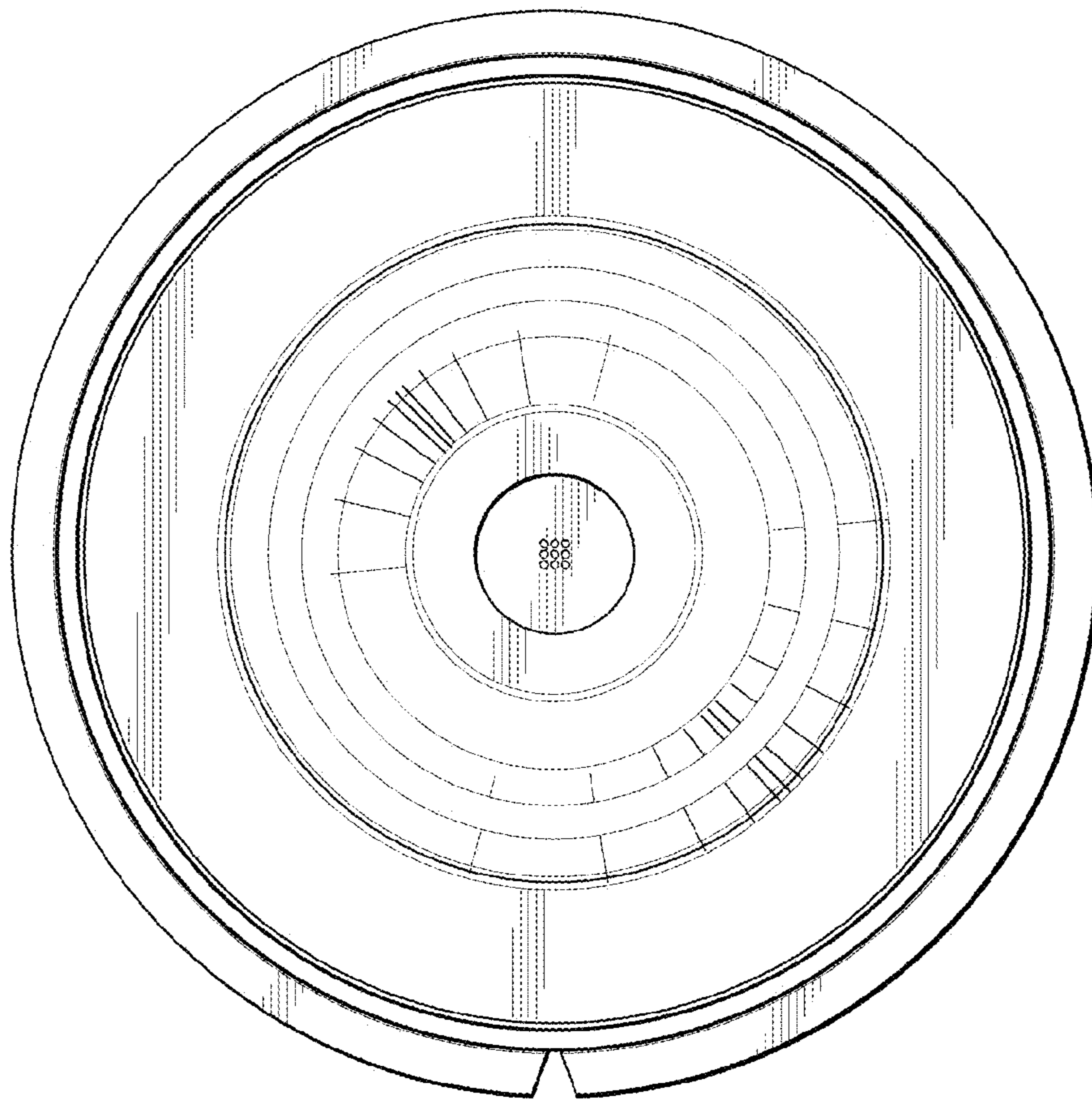
*FIG. 7*



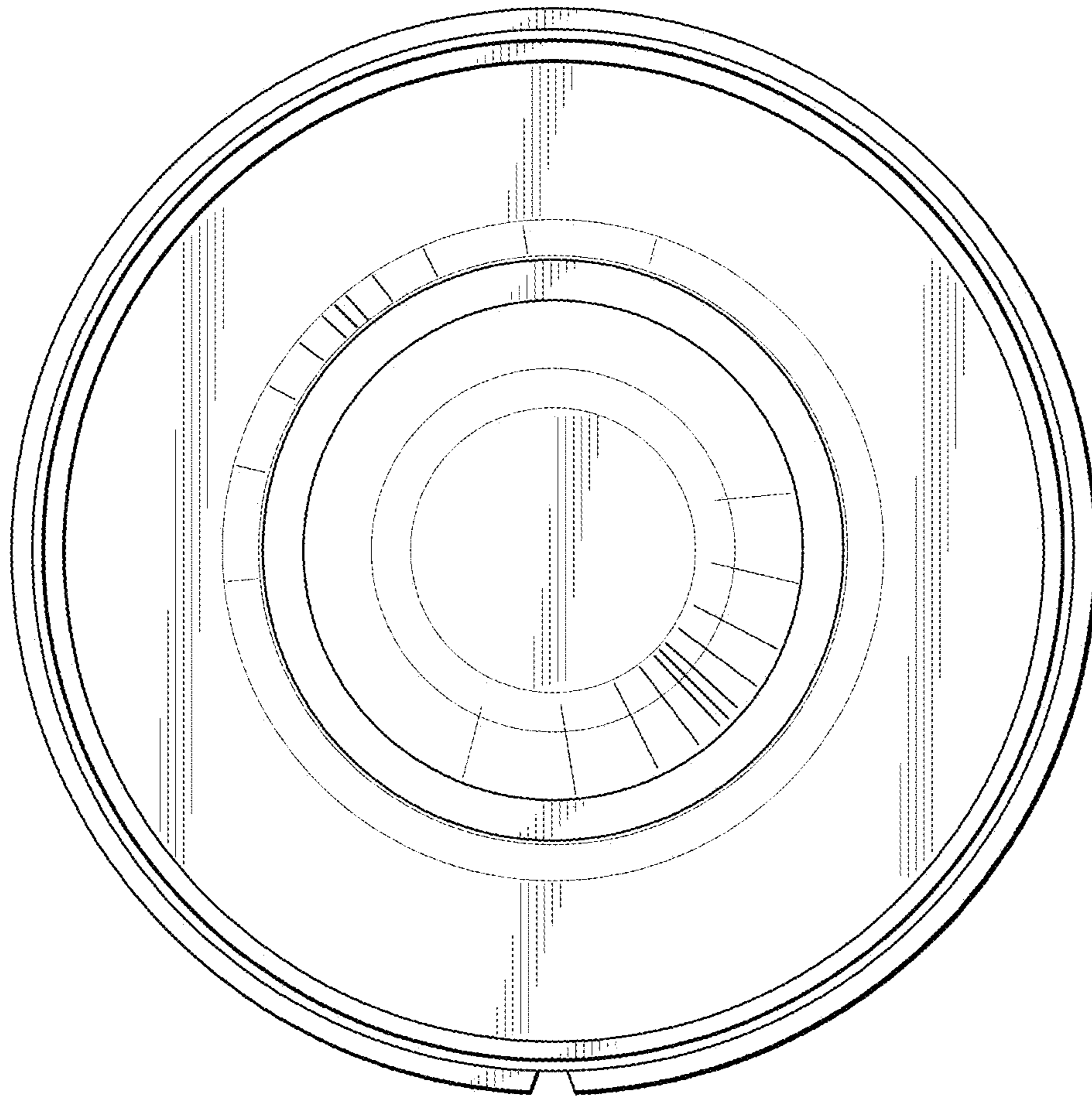
*FIG. 8*



*FIG. 9*

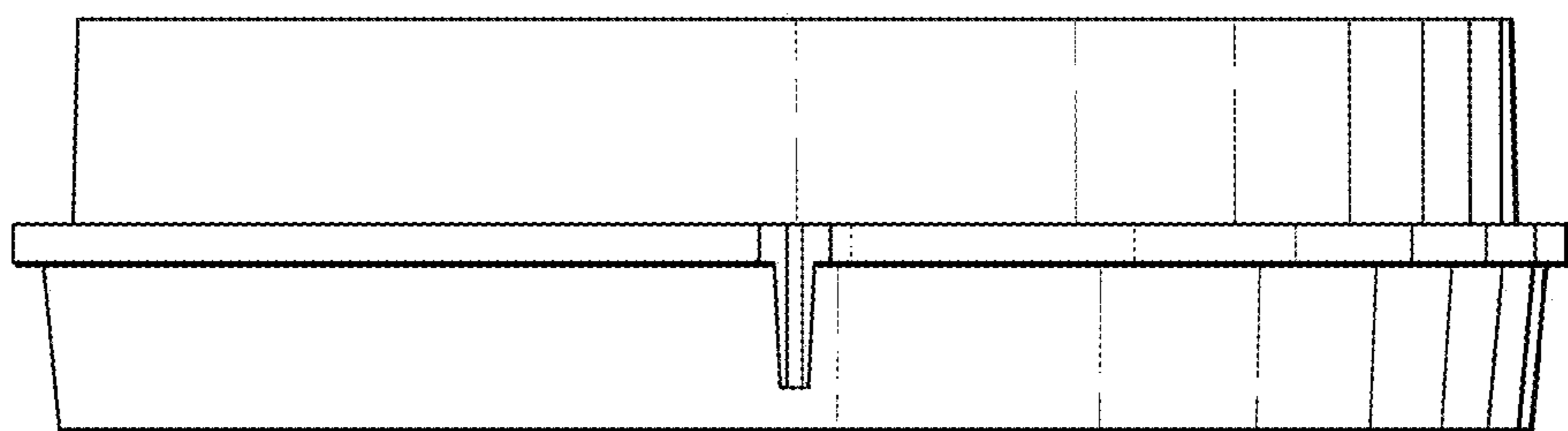


**FIG. 10**

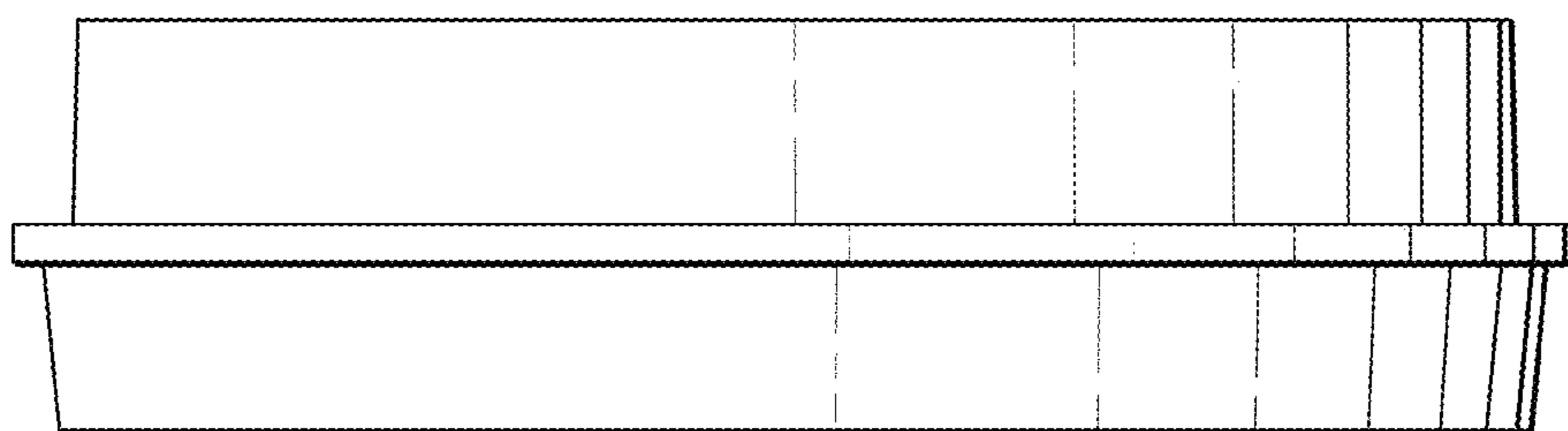


*FIG. 11*

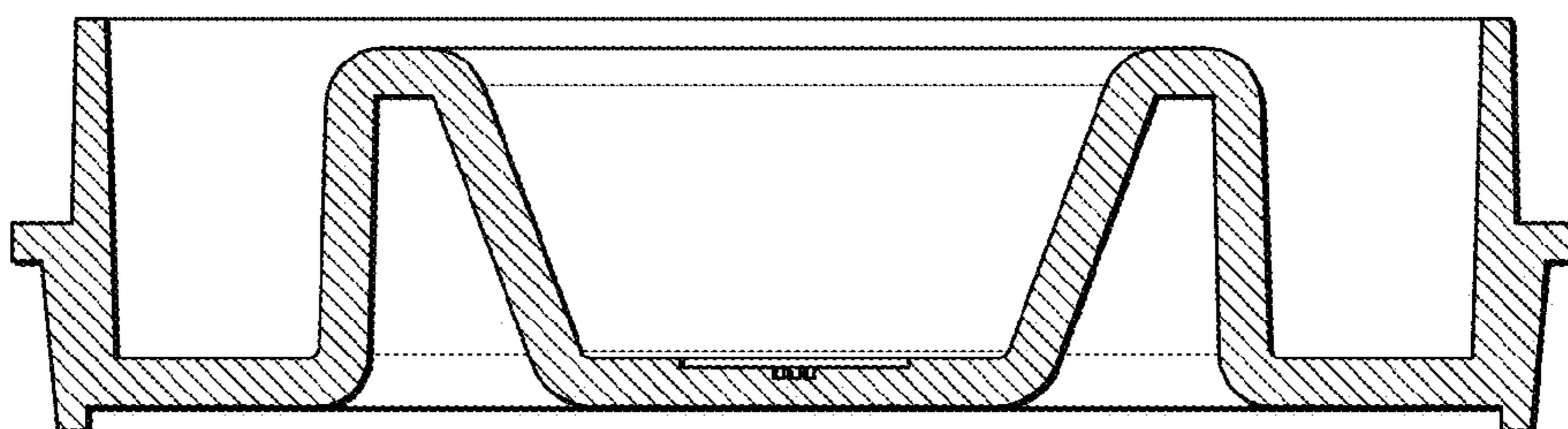




*FIG. 12*



*FIG. 13*



*FIG. 14*