

US00D698934S

(12) **United States Design Patent**
Manseau

(10) **Patent No.:** **US D698,934 S**

(45) **Date of Patent:** **** Feb. 4, 2014**

(54) **VIBRATING DEVICE**

(71) Applicant: **Justin C. Manseau**, Tilton, NH (US)

(72) Inventor: **Justin C. Manseau**, Tilton, NH (US)

(**) Term: **14 Years**

(21) Appl. No.: **29/460,404**

(22) Filed: **Jul. 10, 2013**

(51) **LOC (10) Cl.** **28-03**

(52) **U.S. Cl.**
USPC **D24/215**

(58) **Field of Classification Search**
USPC D24/200, 211, 212, 213, 214, 215;
601/114, 120, 121, 124, 125, 130, 131,
601/134, 135, 136, 137
See application file for complete search history.

(56) **References Cited**

U.S. PATENT DOCUMENTS

D545,444 S * 6/2007 Cianfrani D24/200

7,718,906 B2 * 5/2010 Au et al. 200/52 R

* cited by examiner

Primary Examiner — Sandra Snapp

(74) *Attorney, Agent, or Firm* — Maier & Maier, PLLC

(57) **CLAIM**

The ornamental design for a vibrating device, as shown and described.

DESCRIPTION

FIG. 1 is an isometric view of a vibrating device, showing my design;

FIG. 2 is a top view thereof;

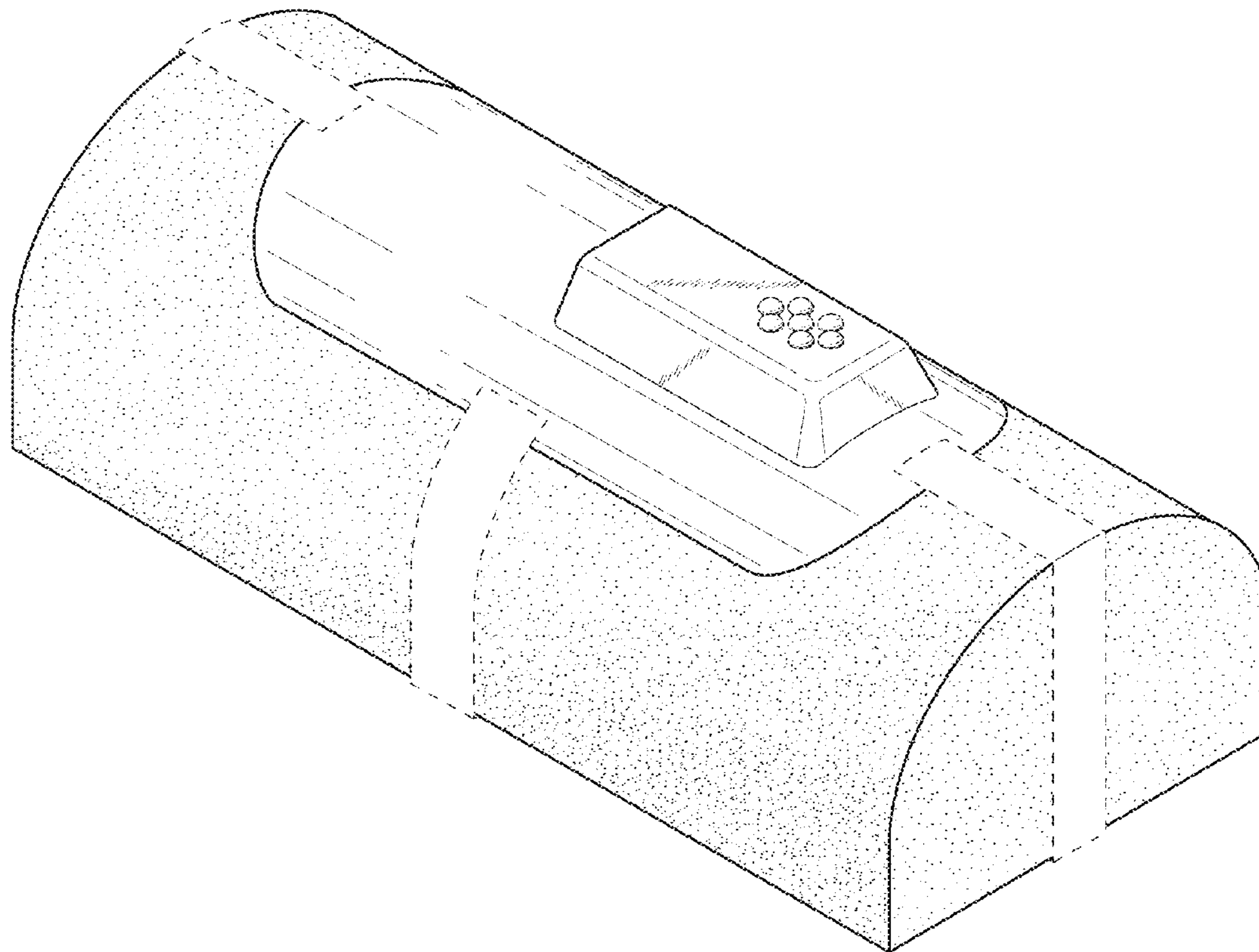
FIG. 3 is a left side view thereof, the right side view being a mirror image of the left side view;

FIG. 4 is a front view thereof, the rear view being identical; and,

FIG. 5 is a bottom view thereof.

The broken line showing in the drawings illustrates portions of the vibrating device and forms no part of the claimed design.

1 Claim, 2 Drawing Sheets



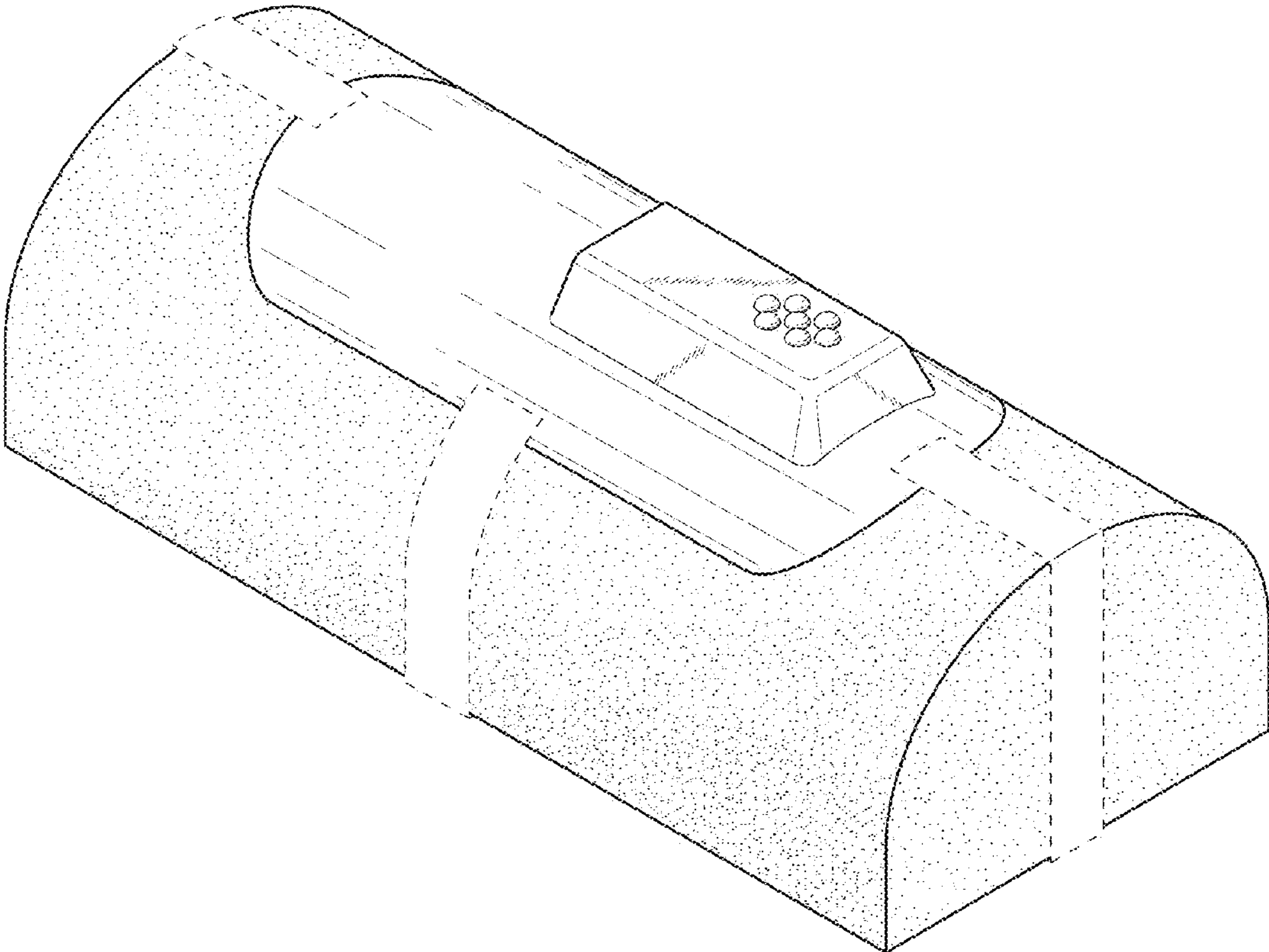


Fig. 1

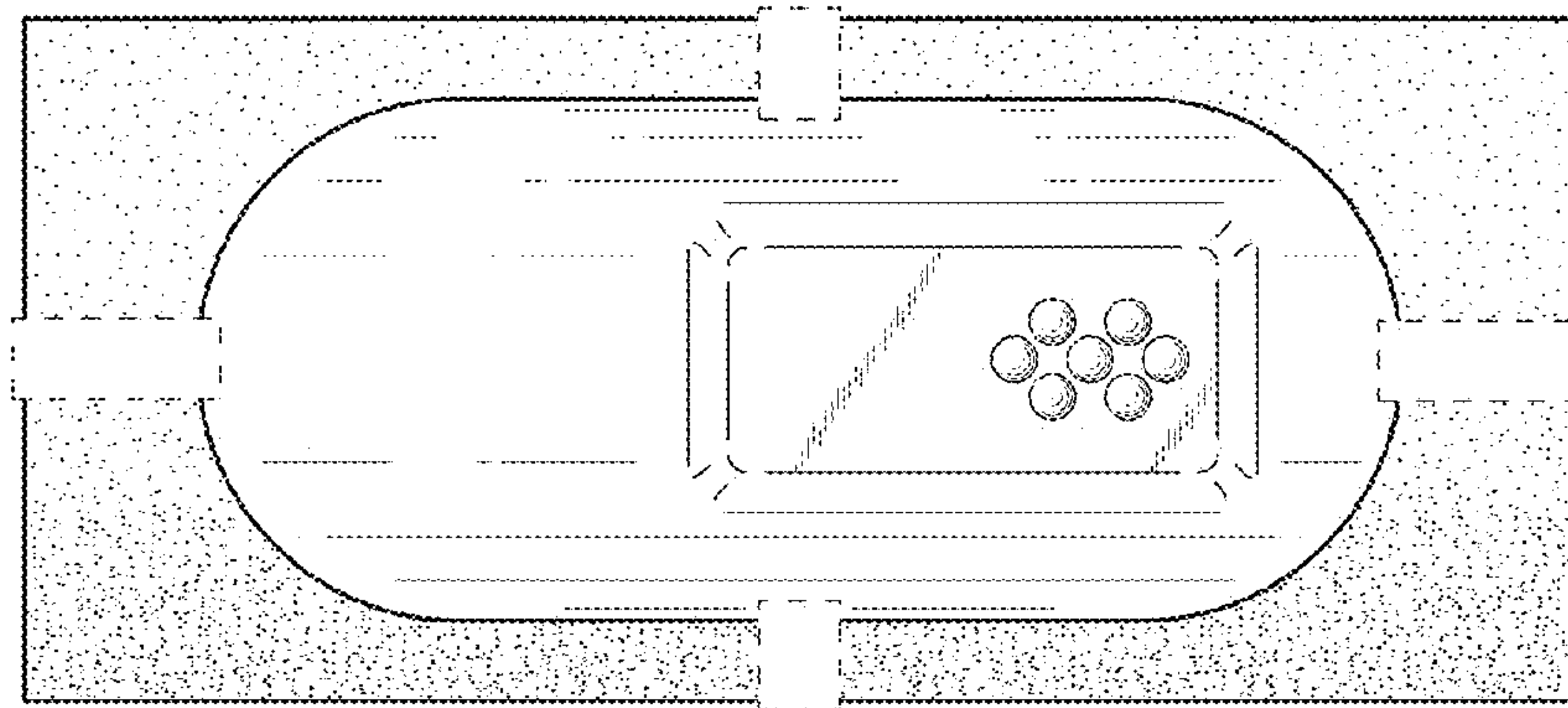


Fig. 2

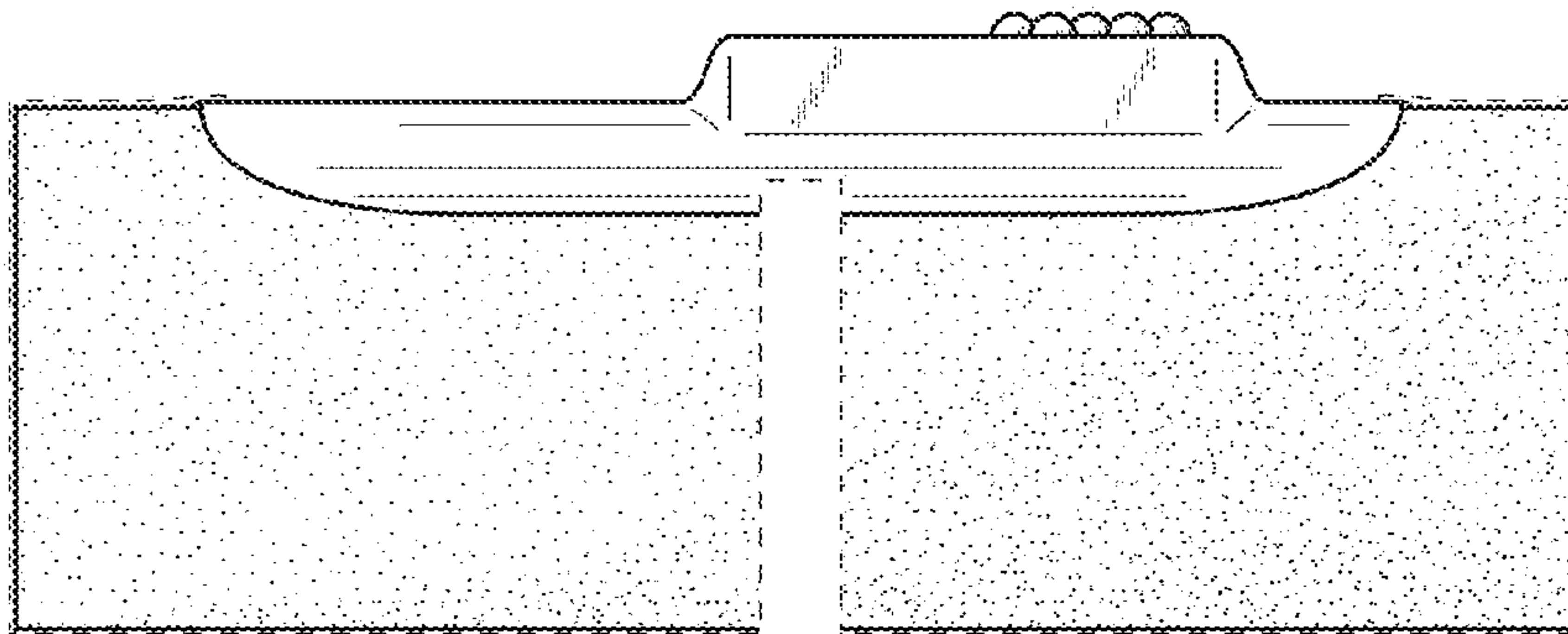


Fig. 3

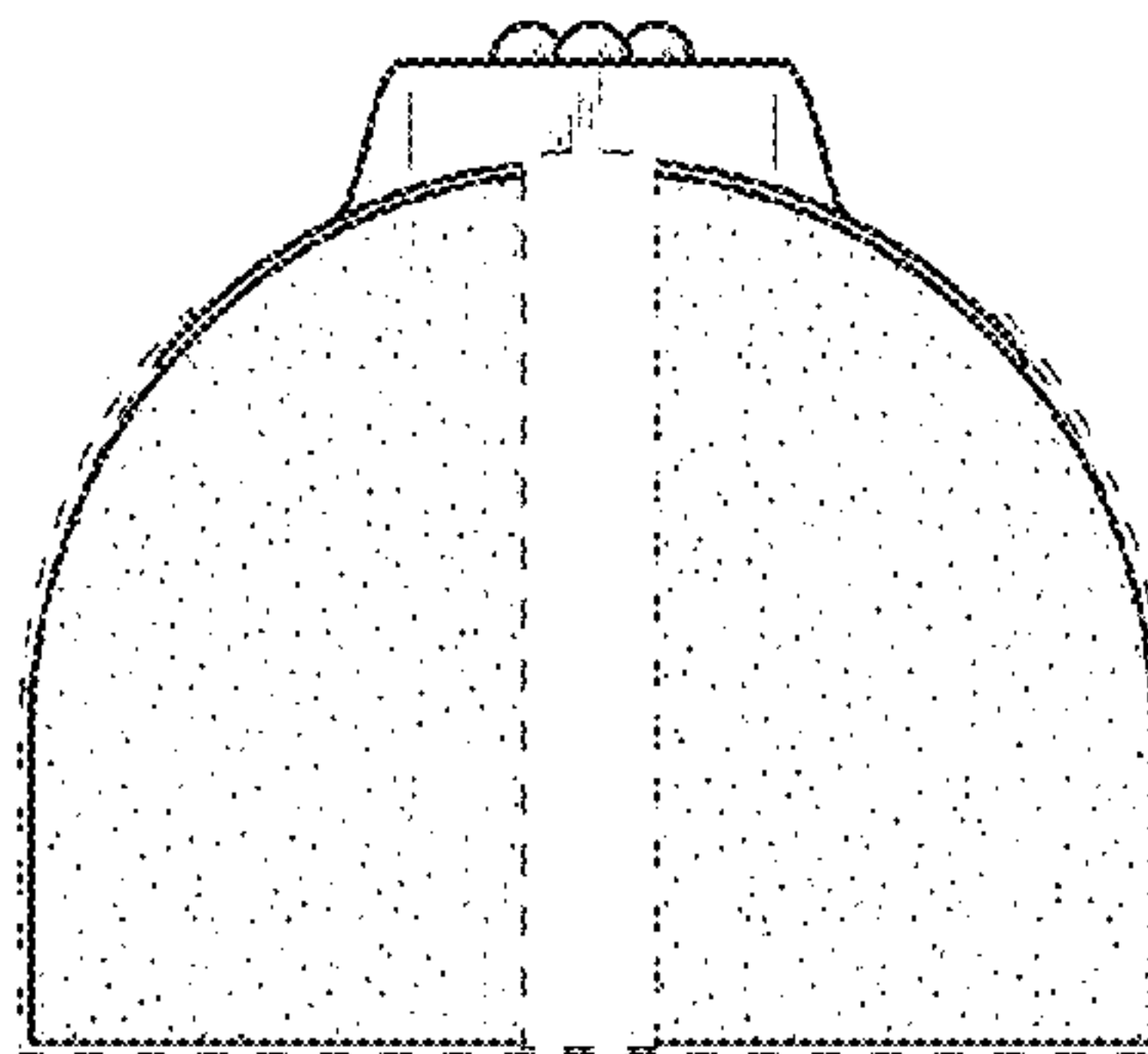


Fig. 4

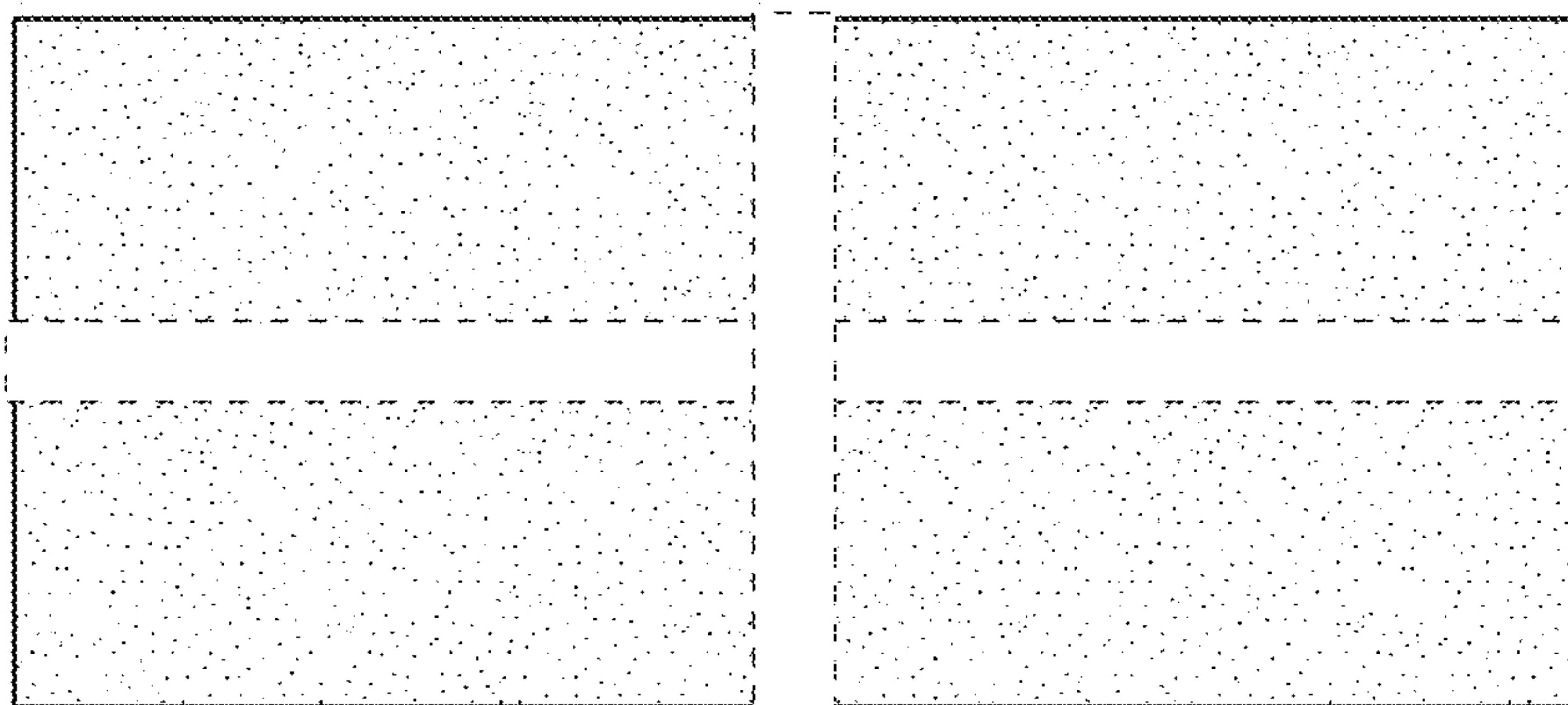


Fig. 5