



US00D698930S

(12) **United States Design Patent**
Sun

(10) **Patent No.:** **US D698,930 S**

(45) **Date of Patent:** **** Feb. 4, 2014**

(54) **NAIL DEFORMITY CORRECTION DEVICE**

(71) Applicants: **Dong Jun Sun**, Seongnam-si (KR); **GD Korea**, Seongnam-si (KR)

(72) Inventor: **Dong Jun Sun**, Seongnam-si (KR)

(73) Assignees: **Dong Jun Sun**, Seongnam-si, Gyeonggi-do (KR); **GD Korea**, Seongnam-si, Gyeonggi-do (KR)

(**) Term: **14 Years**

(21) Appl. No.: **29/439,715**

(22) Filed: **Dec. 14, 2012**

(30) **Foreign Application Priority Data**

Jun. 14, 2012 (KR) 30-2012-0029196

(51) **LOC (10) Cl.** **24-01**

(52) **U.S. Cl.**
USPC **D24/192; D24/107**

(58) **Field of Classification Search**
USPC D24/107, 192, 231; 128/893, 894;
602/31

See application file for complete search history.

(56) **References Cited**

U.S. PATENT DOCUMENTS

1,451,311	A *	4/1923	Smith	602/31
1,708,716	A *	4/1929	Andersen	602/31
1,772,130	A *	8/1930	Crenshaw	602/31
1,785,376	A *	12/1930	Buckner	602/31
2,567,601	A *	9/1951	Heinold et al.	602/31

2,613,667	A *	10/1952	Stanley	602/31
2,632,441	A *	3/1953	Tuve	602/31
2,920,621	A *	1/1960	Fettig	602/31
3,032,032	A *	5/1962	Gifford	602/31
3,799,160	A *	3/1974	Hahn	602/31
D365,637	S *	12/1995	Queen	D24/192
6,050,966	A *	4/2000	Wilberscheid	602/31
2009/0204045	A1 *	8/2009	Kim	602/31

* cited by examiner

Primary Examiner — Ian Simmons

Assistant Examiner — Richelle G Shelton

(74) *Attorney, Agent, or Firm* — Revolution IP, PLLC

(57) **CLAIM**

The ornamental design for a “nail deformity correction device,” as shown and described.

DESCRIPTION

FIG. 1 is a perspective view of nail deformity correction device showing my new design;
FIG. 2 is a front elevational view thereof;
FIG. 3 is a back elevational view thereof;
FIG. 4 is a left side elevational view thereof;
FIG. 5 is a right side elevational view thereof;
FIG. 6 is a top view thereof;
FIG. 7 is a bottom view thereof; and,
FIG. 8 is a reference view thereof.

The broken line showing of a finger is for the purpose of illustrating environment and forms no part of the claimed design.

1 Claim, 3 Drawing Sheets

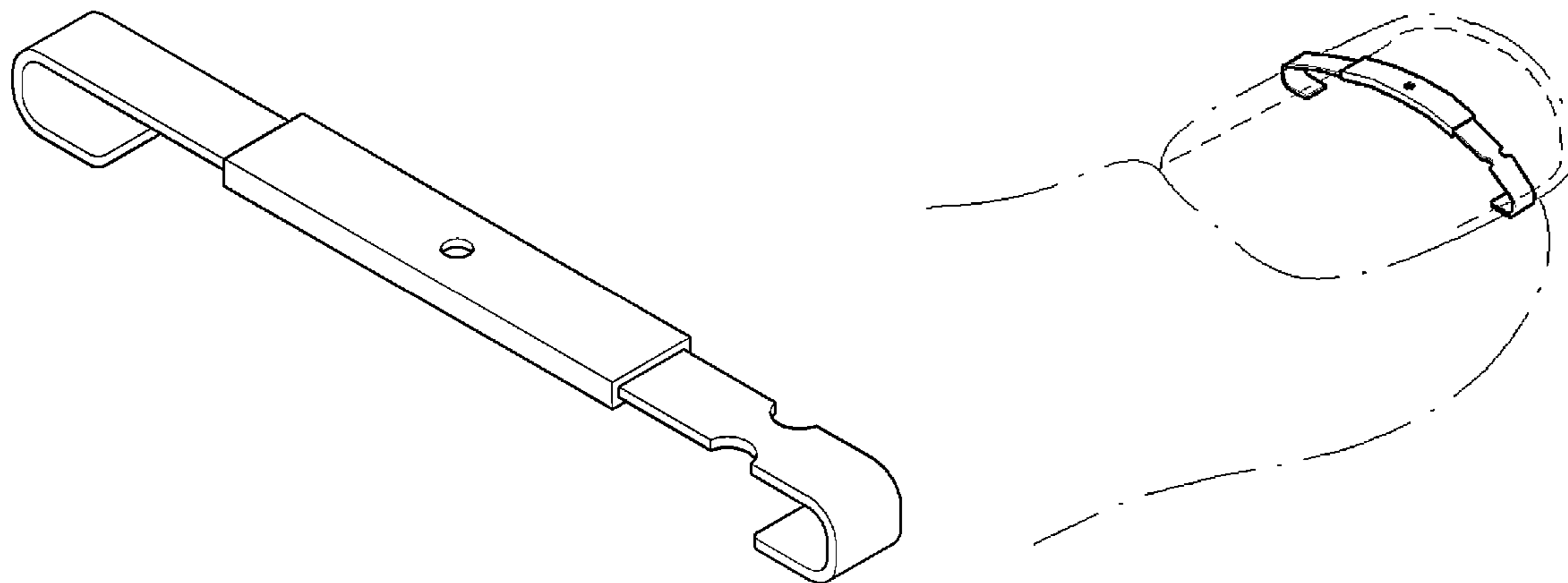


FIG. 1

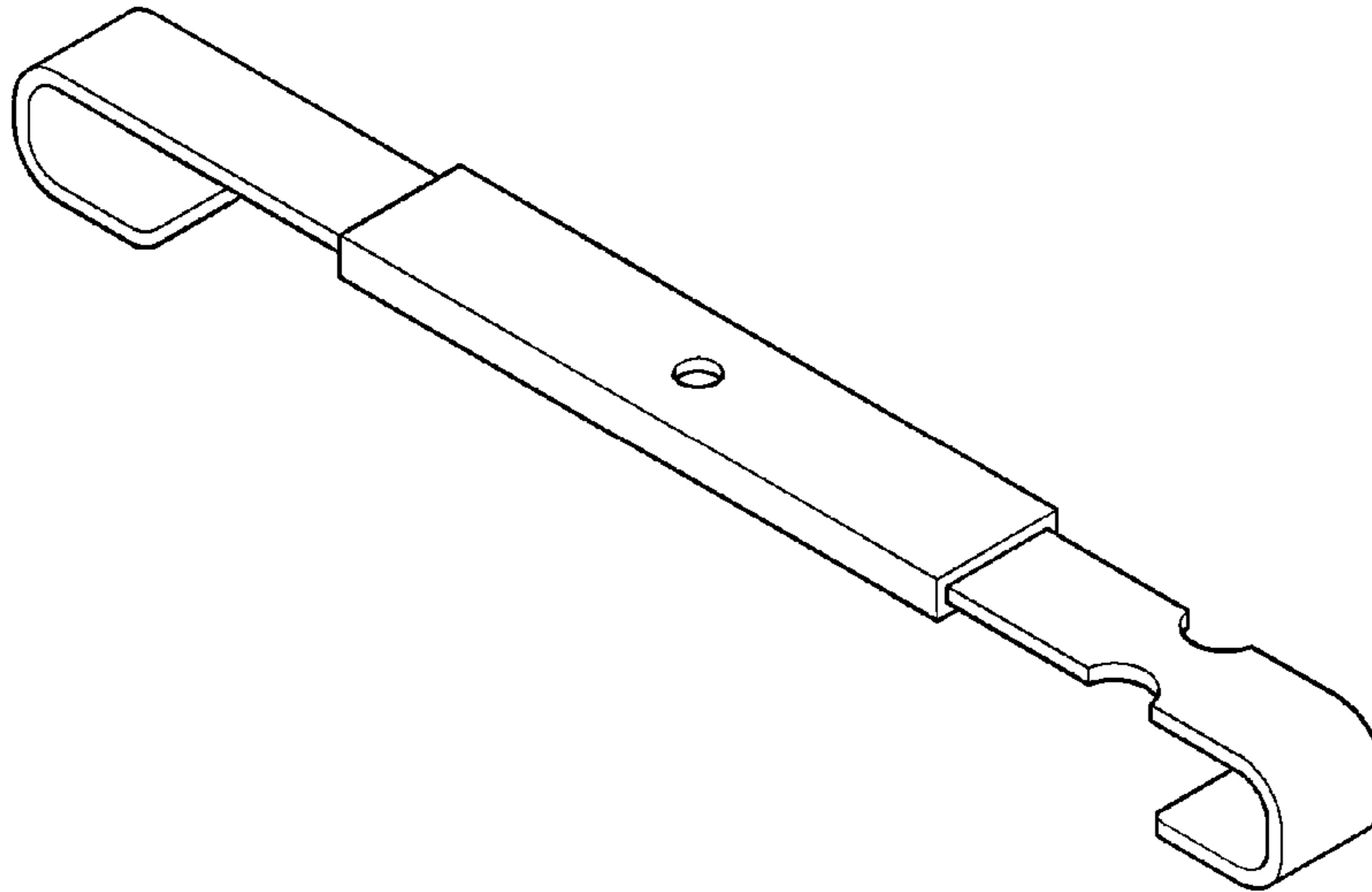


FIG. 2

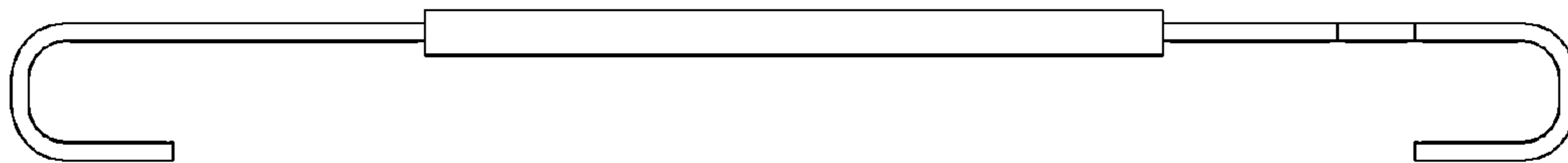


FIG. 3

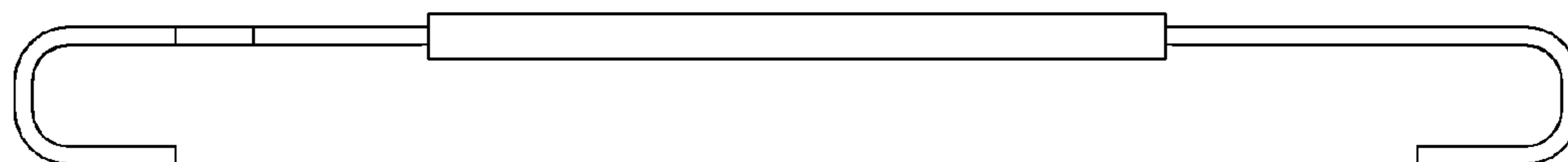


FIG. 4

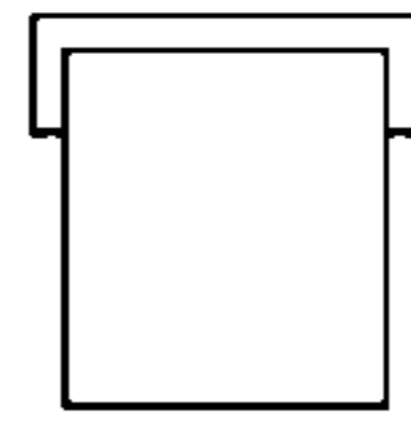


FIG. 5

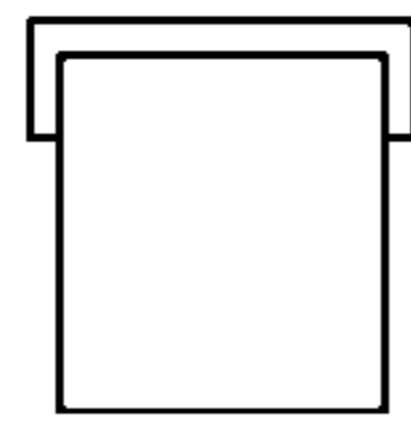


FIG. 6

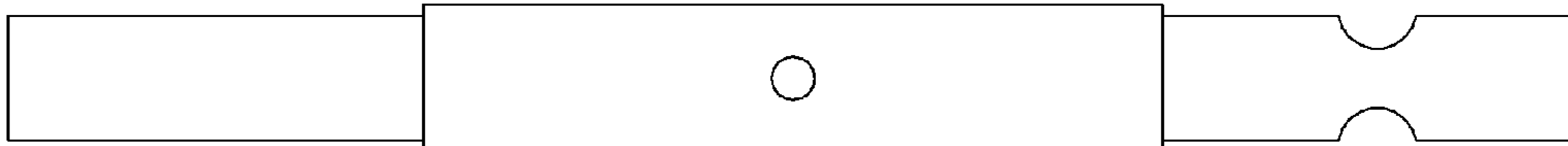


FIG. 7



FIG. 8

