

US00D698928S

(12) **United States Design Patent**  
**Tsuruta et al.**

(10) **Patent No.:** **US D698,928 S**  
(45) **Date of Patent:** **\*\* Feb. 4, 2014**

(54) **MEDICAL PATCH**

(75) Inventors: **Mitsutoshi Tsuruta**, Tokyo (JP);  
**Kentaro Ishimatsu**, Tokyo (JP);  
**Kiyotaka Takada**, Tosu (JP)

(73) Assignee: **Hisamitsu Pharmaceutical Co., Inc.**,  
Saga (JP)

(\*\*) Term: **14 Years**

(21) Appl. No.: **29/390,774**

(22) Filed: **Apr. 29, 2011**

(30) **Foreign Application Priority Data**

Nov. 5, 2010 (JP) ..... 2010-026614  
Nov. 5, 2010 (JP) ..... 2010-026615

(51) **LOC (10) Cl.** ..... **24-04**

(52) **U.S. Cl.**  
USPC ..... **D24/189**

(58) **Field of Classification Search**  
USPC ..... D24/189; 602/41-47, 53, 54, 57, 58;  
128/DIG. 26  
See application file for complete search history.

(56) **References Cited**

**U.S. PATENT DOCUMENTS**

2,233,209 A \* 2/1941 Herzog ..... 602/58  
(Continued)

**FOREIGN PATENT DOCUMENTS**

CN 1333672 A 1/2002  
(Continued)

**OTHER PUBLICATIONS**

Vietnamese Office Action, Application No. 3-2011-00502, dated  
Apr. 10, 2012.

(Continued)

*Primary Examiner* — T. Chase Nelson  
*Assistant Examiner* — Michelle E Wilson

(74) *Attorney, Agent, or Firm* — Leydig, Voit & Mayer, Ltd.

(57) **CLAIM**

The ornamental design for a medical patch, as shown and  
described.

**DESCRIPTION**

The patent or application file contains at least one drawing  
executed in color. Copies of this patent or patent application  
publication with color drawing(s) will be provided by the  
Office upon request and payment of the necessary fee.

FIG. 1 is a front view of a medical patch of the present  
invention.

FIG. 2 is a rear view of the medical patch of FIG. 1.

FIG. 3 is a top plan view of the medical patch of FIG. 1.

FIG. 4 is a bottom view of the medical patch of FIG. 1.

FIG. 5 is a right side view of the medical patch of FIG. 1.

FIG. 6 is a left side view of the medical patch of FIG. 1.

FIG. 7 is an enlarged 7-7 sectional view of the 7,8-7,8 portion  
of the medical patch of FIG. 1.

FIG. 8 is an enlarged 8-8 sectional view of the 7,8-7,8 portion  
of the medical patch of FIG. 1.

FIG. 9 is a bottom view of the medical patch of FIG. 1 with the  
pull tab raised.

FIG. 10 is a bottom view of the medical patch of FIG. 1 with  
the coversheet partly removed.

FIG. 11 is a perspective view of the medical patch of FIG. 1  
with the coversheet partly removed.

FIG. 12 is a front view of another medical patch of the present  
invention.

FIG. 13 is a rear view of the medical patch of FIG. 12.

FIG. 14 is a top plan view of the medical patch of FIG. 12.

FIG. 15 is a bottom view of the medical patch of FIG. 12.

FIG. 16 is a right side view of the medical patch of FIG. 12.

FIG. 17 is a left side view of the medical patch of FIG. 12.

FIG. 18 is an enlarged 18-18 sectional view of the 18,19-18,  
19 portion of the medical patch of FIG. 12.

FIG. 19 is an enlarged 19-19 sectional view of the 18,19-18,  
19 portion of the medical patch of FIG. 12.

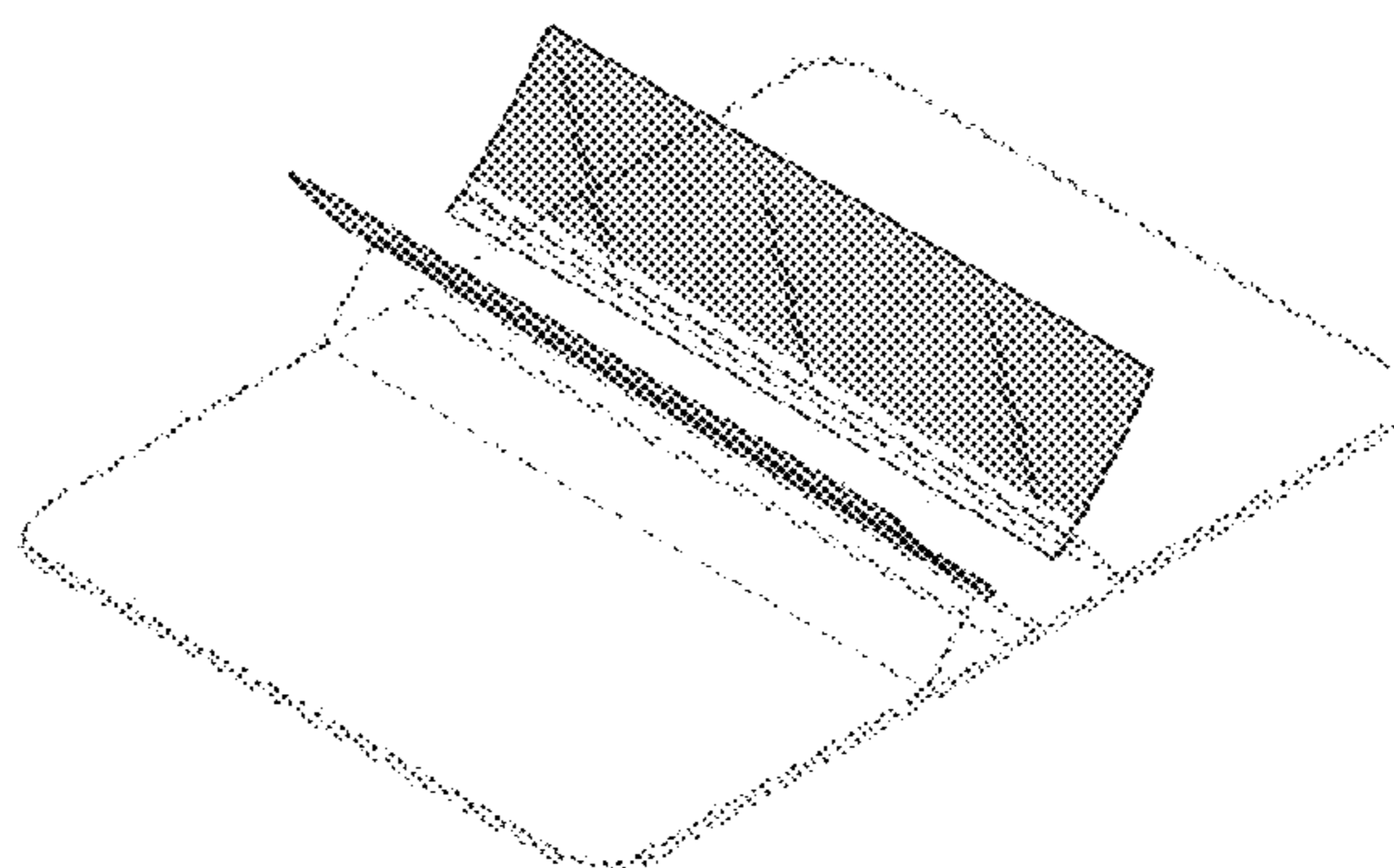
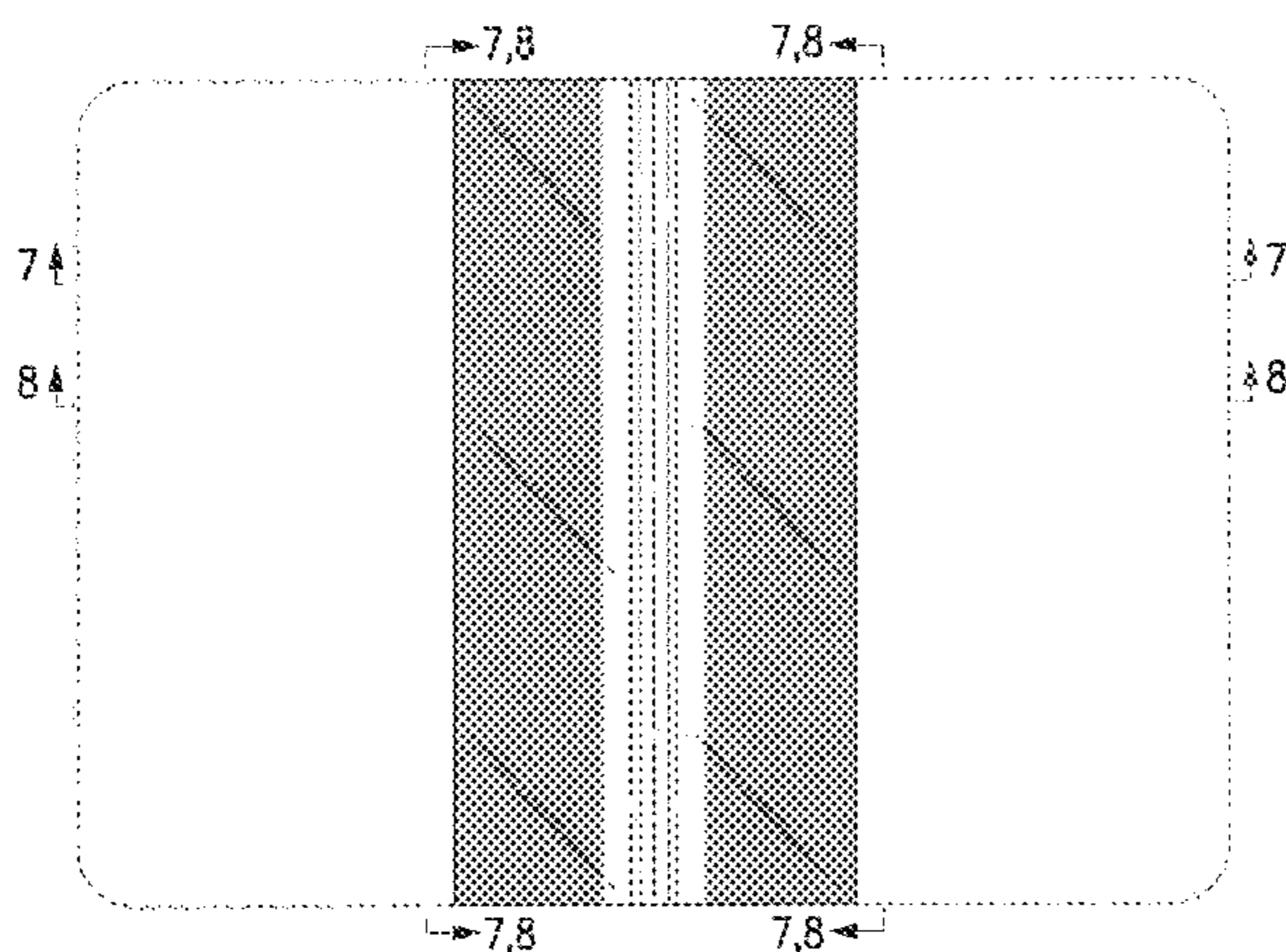
FIG. 20 is a bottom view of the medical patch of FIG. 12 with  
the pull tab raised.

FIG. 21 is a bottom view of the medical patch of FIG. 12 with  
the coversheet partly removed; and,

FIG. 22 is a perspective view of the medical patch of FIG. 12  
with the coversheet partly removed.

The features shown in dotted lines depict environmental sub-  
ject matter only and form no part of the claimed design.

**1 Claim, 22 Drawing Sheets**  
**(4 of 22 Drawing Sheet(s) Filed in Color)**



(56)

References Cited

U.S. PATENT DOCUMENTS

2,280,506 A \* 4/1942 Betts ..... 128/894  
 2,992,644 A \* 7/1961 Plantinga et al. .... 602/47  
 3,156,242 A \* 11/1964 Crowe, Jr. .... 128/96.1  
 3,260,260 A 7/1966 Questel  
 3,367,329 A 2/1968 Dibelius  
 3,416,524 A \* 12/1968 Meier ..... 602/47  
 3,645,835 A 2/1972 Hodgson  
 3,811,438 A 5/1974 Economou  
 3,885,559 A 5/1975 Economou  
 3,989,040 A 11/1976 Lofgren et al.  
 4,265,234 A 5/1981 Schaar  
 4,374,520 A 2/1983 Grossmann et al.  
 4,513,739 A 4/1985 Johns  
 4,600,001 A 7/1986 Gilman  
 4,649,909 A \* 3/1987 Thompson ..... 602/42  
 4,664,106 A 5/1987 Snedeker  
 4,685,455 A 8/1987 Vrouenraets  
 4,743,232 A 5/1988 Kruger  
 4,744,355 A 5/1988 Faasse, Jr.  
 4,780,168 A 10/1988 Beisang et al.  
 4,781,293 A 11/1988 Johns  
 4,832,008 A 5/1989 Gilman  
 4,915,227 A 4/1990 Johns  
 4,915,228 A 4/1990 Johns  
 4,917,928 A 4/1990 Heinecke  
 4,917,929 A 4/1990 Heinecke  
 4,950,282 A 8/1990 Beisang et al.  
 RE33,353 E 9/1990 Heinecke  
 5,009,224 A 4/1991 Cole  
 5,042,466 A 8/1991 McKnight  
 5,052,381 A 10/1991 Gilbert et al.  
 5,074,293 A 12/1991 Lott et al.  
 5,088,483 A 2/1992 Heinecke  
 5,147,698 A 9/1992 Cole  
 5,153,040 A 10/1992 Faasse, Jr.  
 5,360,393 A 11/1994 Garth et al.  
 5,520,629 A \* 5/1996 Heinecke et al. .... 602/57  
 5,527,271 A 6/1996 Shah et al.  
 D377,529 S \* 1/1997 Nyqvist-Mayer ..... D24/189  
 5,599,289 A 2/1997 Castellana  
 5,637,080 A 6/1997 Geng  
 5,653,699 A 8/1997 Reed et al.  
 D385,038 S \* 10/1997 Shultz ..... D24/189  
 5,683,354 A \* 11/1997 Levy ..... 602/54  
 5,713,842 A 2/1998 Kay  
 5,733,251 A 3/1998 Johns  
 5,820,578 A 10/1998 Johansen  
 5,823,977 A 10/1998 Dalyea  
 5,840,052 A 11/1998 Johns  
 D408,541 S \* 4/1999 Dunshee et al. .... D24/189  
 D409,754 S \* 5/1999 Dunshee et al. .... D24/189  
 D410,087 S 5/1999 Dunshee et al.  
 5,979,450 A 11/1999 Baker et al.  
 5,985,395 A 11/1999 Comstock et al.  
 6,043,408 A 3/2000 Geng  
 6,093,465 A 7/2000 Gilchrist et al.  
 D430,674 S \* 9/2000 Dunshee et al. .... D24/189  
 D433,140 S \* 10/2000 Nielsen ..... D24/189  
 6,149,614 A 11/2000 Dunshee et al.  
 6,159,497 A 12/2000 LaPrade et al.  
 D454,955 S \* 3/2002 Dunshee et al. .... D24/189  
 D458,687 S 6/2002 Dale et al.  
 D473,947 S \* 4/2003 Jacobson ..... D24/189  
 D474,842 S \* 5/2003 Wolsing et al. .... D24/189  
 6,607,799 B1 8/2003 Heinecke et al.  
 D480,144 S \* 9/2003 Adams et al. .... D24/189  
 D484,601 S \* 12/2003 Griffiths et al. .... D24/189  
 D484,602 S \* 12/2003 Griffiths et al. .... D24/189  
 6,706,940 B2 3/2004 Worthley  
 6,742,522 B1 6/2004 Baker et al.  
 D493,230 S \* 7/2004 Liedtke et al. .... D24/189  
 D495,419 S 8/2004 Dunshee  
 6,797,855 B2 9/2004 Worthley  
 D501,559 S \* 2/2005 Shaw et al. .... D24/189

D501,926 S \* 2/2005 Shaw et al. .... D24/189  
 D503,982 S \* 4/2005 Liedtke et al. .... D24/189  
 D511,005 S \* 10/2005 Liedtke et al. .... D24/189  
 D516,729 S \* 3/2006 Liedtke et al. .... D24/189  
 D557,424 S \* 12/2007 Knight ..... D24/189  
 D572,824 S \* 7/2008 Propp ..... D24/189  
 D573,260 S 7/2008 Dunshee  
 D578,651 S 10/2008 Dunshee  
 7,442,849 B2 10/2008 Heinecke  
 D604,423 S 11/2009 Dunshee  
 D604,424 S \* 11/2009 Coubetergues ..... D24/189  
 D605,299 S 12/2009 Iwahashi et al.  
 D607,112 S \* 12/2009 Rogers et al. .... D24/189  
 D611,156 S 3/2010 Dunshee  
 D625,018 S \* 10/2010 Smith et al. .... D24/189  
 7,812,212 B2 10/2010 Propp et al.  
 8,057,885 B2 11/2011 Goyarts  
 8,080,703 B2 12/2011 Marcussen  
 8,110,718 B2 2/2012 Heinecke  
 8,212,101 B2 7/2012 Propp  
 D668,766 S 10/2012 Miyachi et al.  
 D670,395 S 11/2012 Wakamatsu et al.  
 D672,464 S \* 12/2012 Holm et al. .... D24/189  
 2005/0034731 A1 2/2005 Rousseau et al.  
 2011/0229676 A1 9/2011 Funakoshi et al.

FOREIGN PATENT DOCUMENTS

JP S50-133797 4/1974  
 JP 59-149141 8/1984  
 JP 08-112305 5/1996  
 JP 09-238975 9/1997  
 JP 2000-219622 8/2000  
 JP 2002531221 A 9/2002  
 JP 3754744 B2 3/2006  
 JP 3135535 U 7/2007  
 JP 2008-264170 11/2008  
 JP 2009-131583 6/2009  
 KR 300476900.0001 1/2008  
 KR 300496466.000 6/2008  
 NL 1 001 019 C2 2/1997  
 VN 3-2007-00220 6/2007  
 VN 3-2010-00235 5/2010  
 WO WO 00/33776 6/2000  
 WO WO 2010/044152 A1 4/2010

OTHER PUBLICATIONS

Notice of Allowance in Design U.S. Appl. No. 29/356,253, dated May 10, 2013.  
 Japanese Official Gazette for Registration of Design Registration No. 1296123, dated Mar. 12, 2007.  
 Japanese Official Gazette for Registration of Design Registration No. 1378701, dated Dec. 13, 2010.  
 Japanese Official Gazette for Registration of Design Registration No. 1378702, dated Dec. 13, 2010.  
 Japanese Official Gazette for Registration of Design Registration No. 1380357, dated Dec. 13, 2010.  
 Japanese Official Gazette for Registration of Design Registration No. 1408441, dated Feb. 28, 2011.  
 International Preliminary Report on Patentability, Application No. PCT/JP2010/067129, dated May 15, 2012.  
 International Preliminary Report on Patentability, Application No. PCT/JP2010/067140, dated May 15, 2012.  
 Office Action, U.S. Appl. No. 29/356,253, dated Mar. 30, 2012.  
 Notice of Allowance, U.S. Appl. No. 29/356,253, mailed Jan. 18, 2013.  
 Vietnamese Office Action, Application No. 3-2010-01527, dated: Apr. 6, 2012.  
 Notice of Allowance in Design U.S. Appl. No. 29/379,795, dated May 13, 2013.  
 European Search Report, EP Application No. 10823292.7, dated Jul 23, 2013.

\* cited by examiner

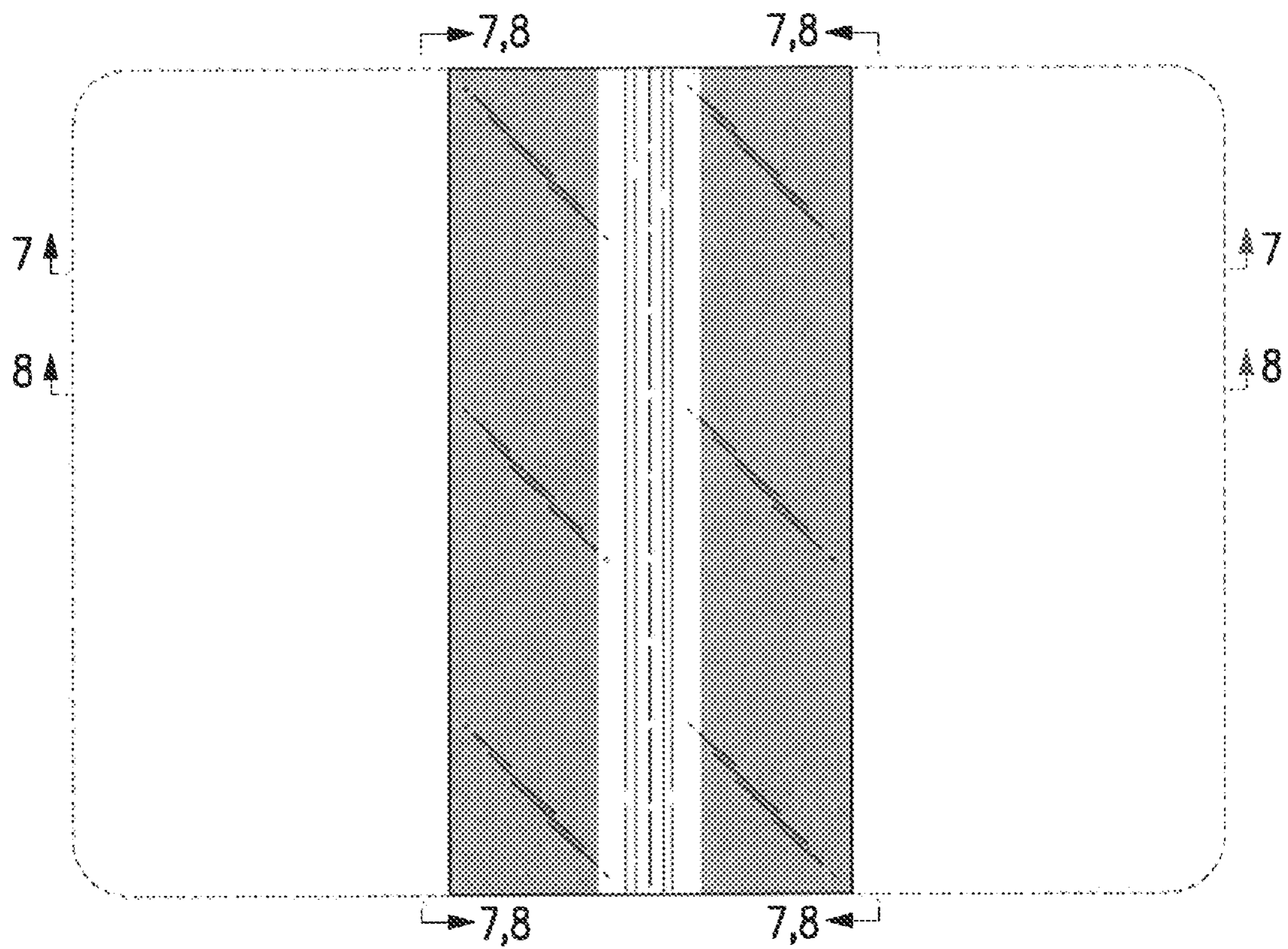


FIG. 1



**FIG. 2**



**FIG. 3**



**FIG. 4**

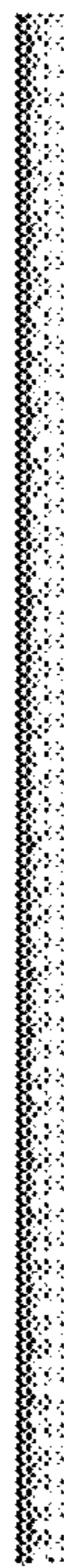


FIG. 5



**FIG. 6**



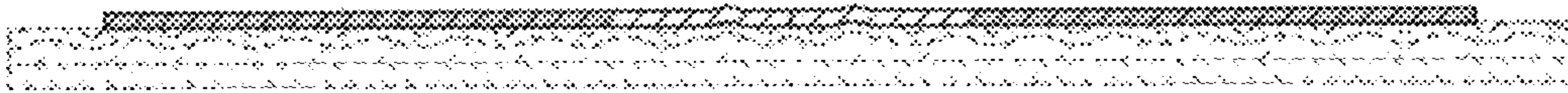
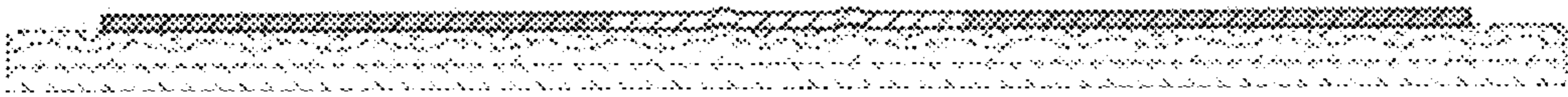


FIG. 7



**FIG. 8**



FIG. 9

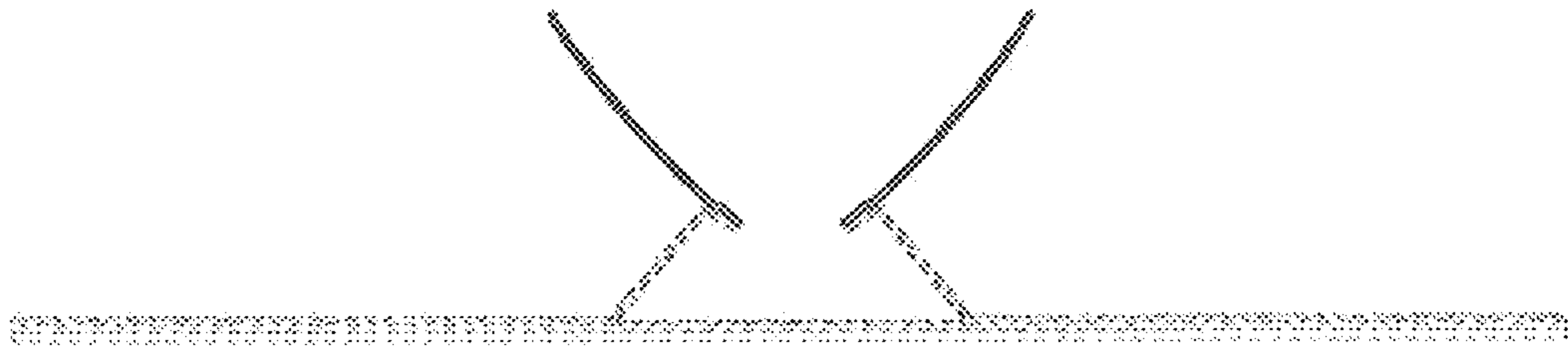


FIG. 10

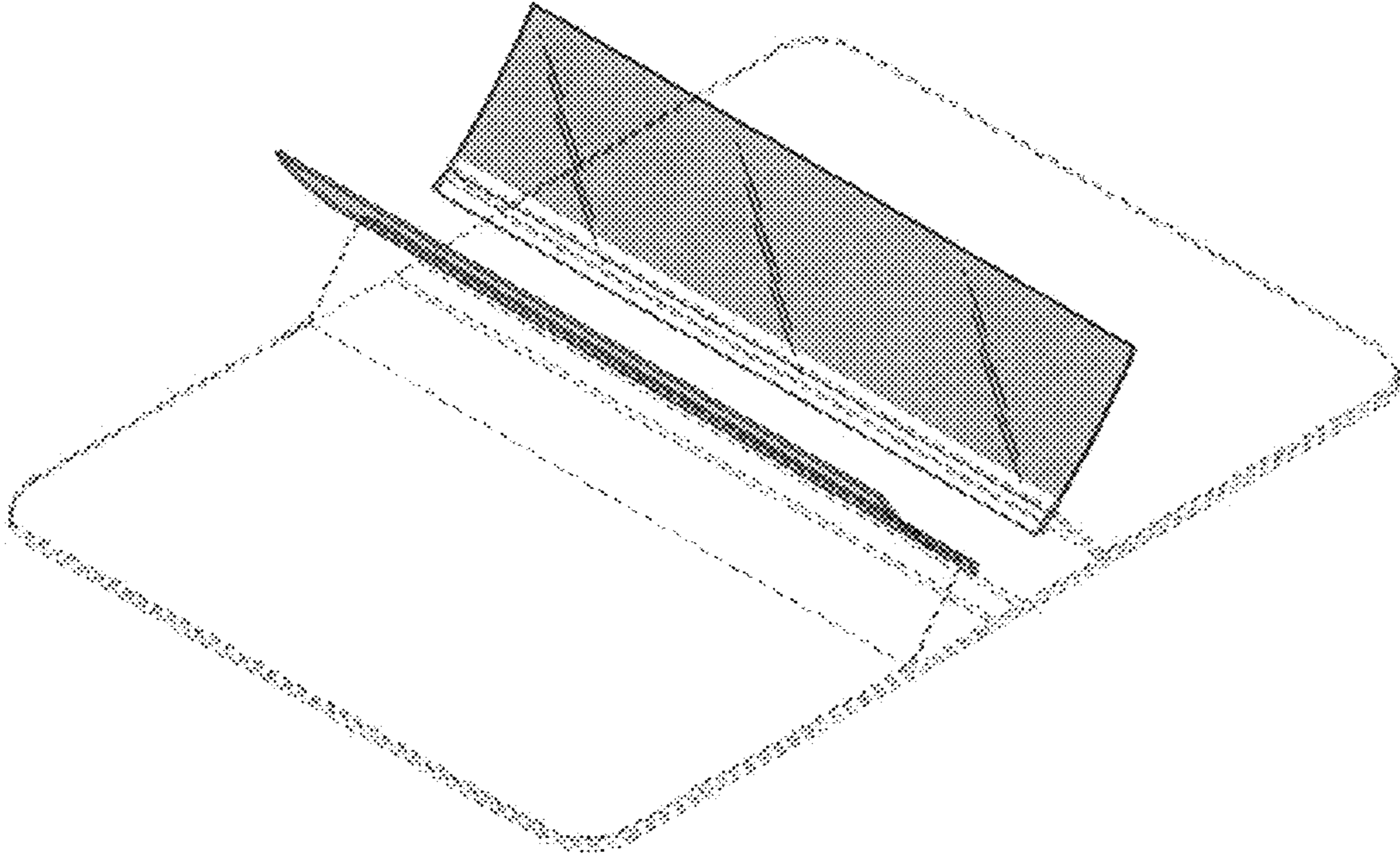


FIG. 11

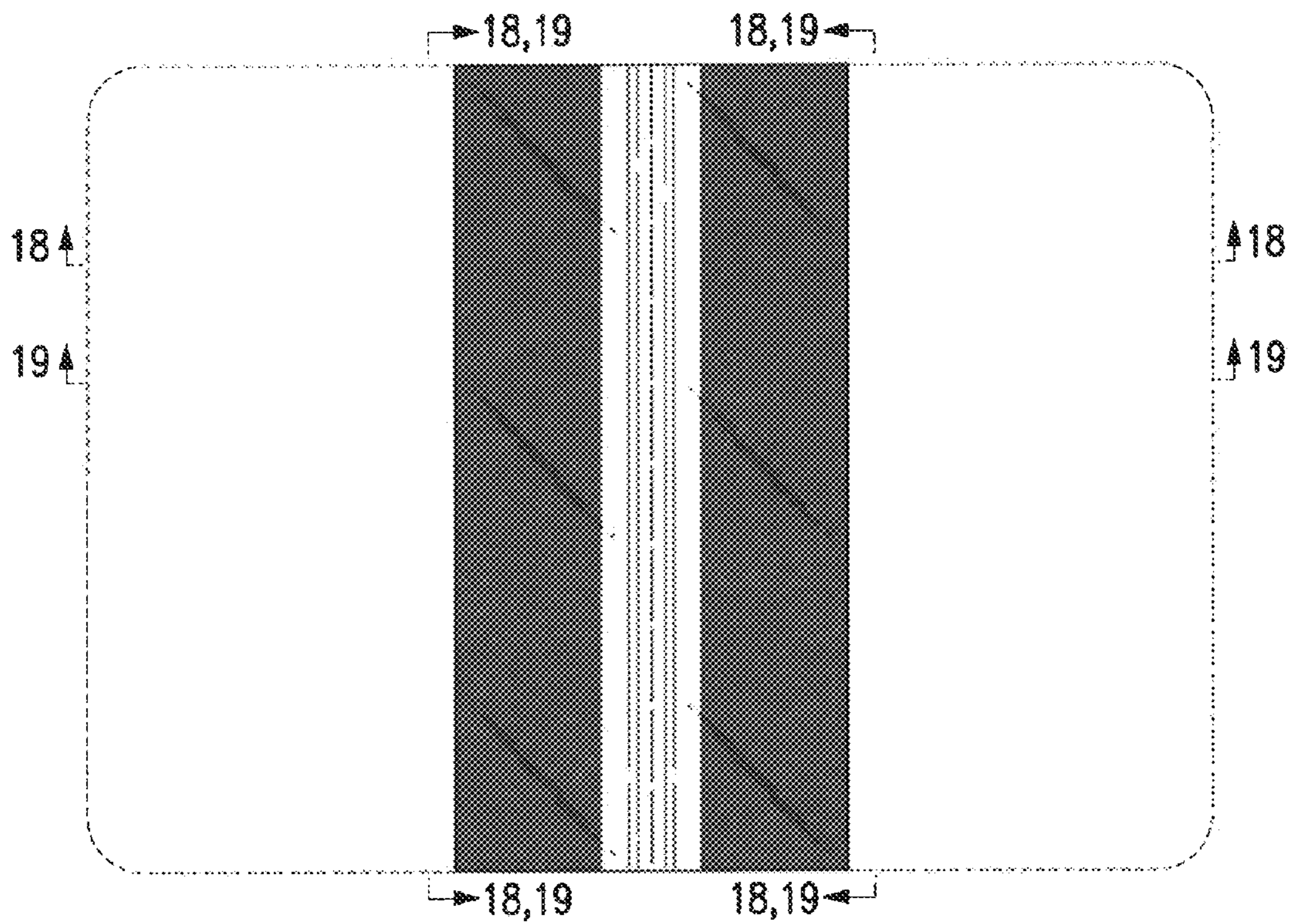


FIG. 12



**FIG. 13**



**FIG. 14**





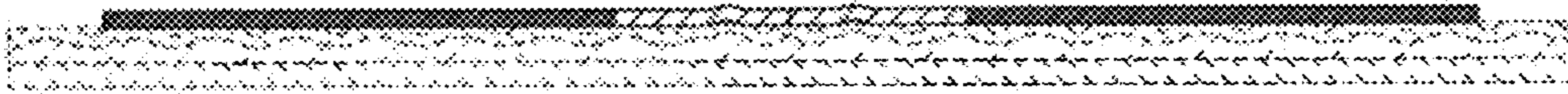
**FIG. 15**



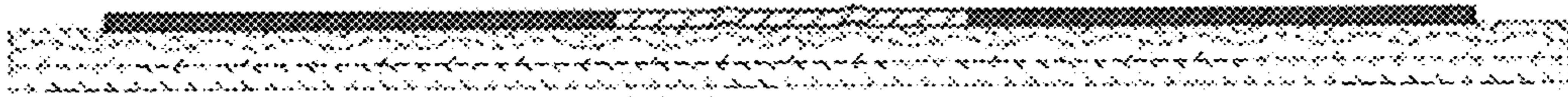
FIG. 16



FIG. 17



**FIG. 18**



**FIG. 19**

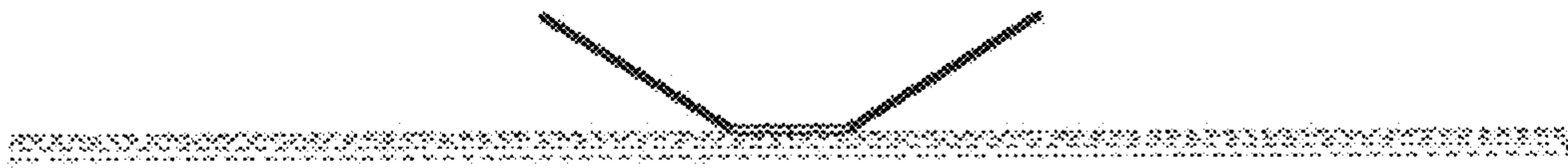


FIG. 20

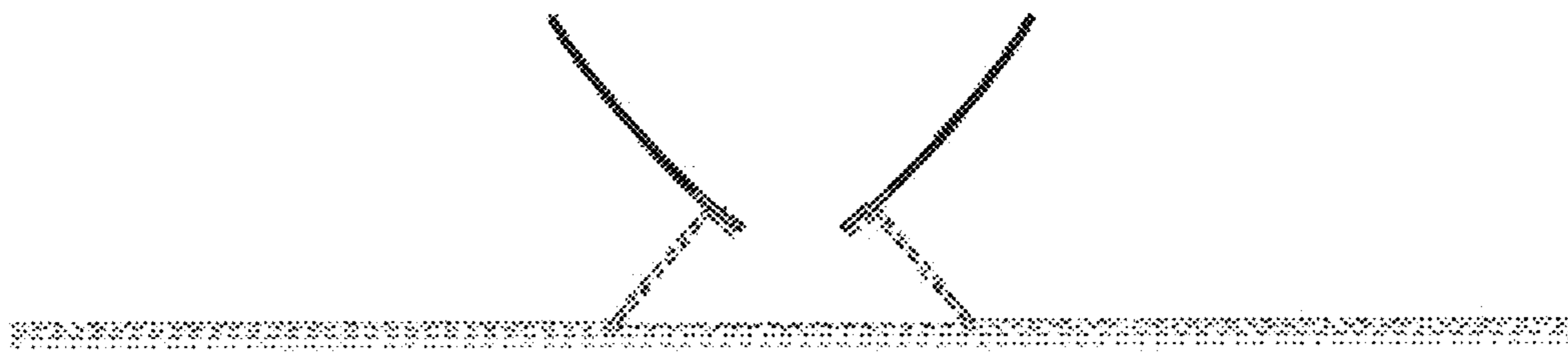


FIG. 21

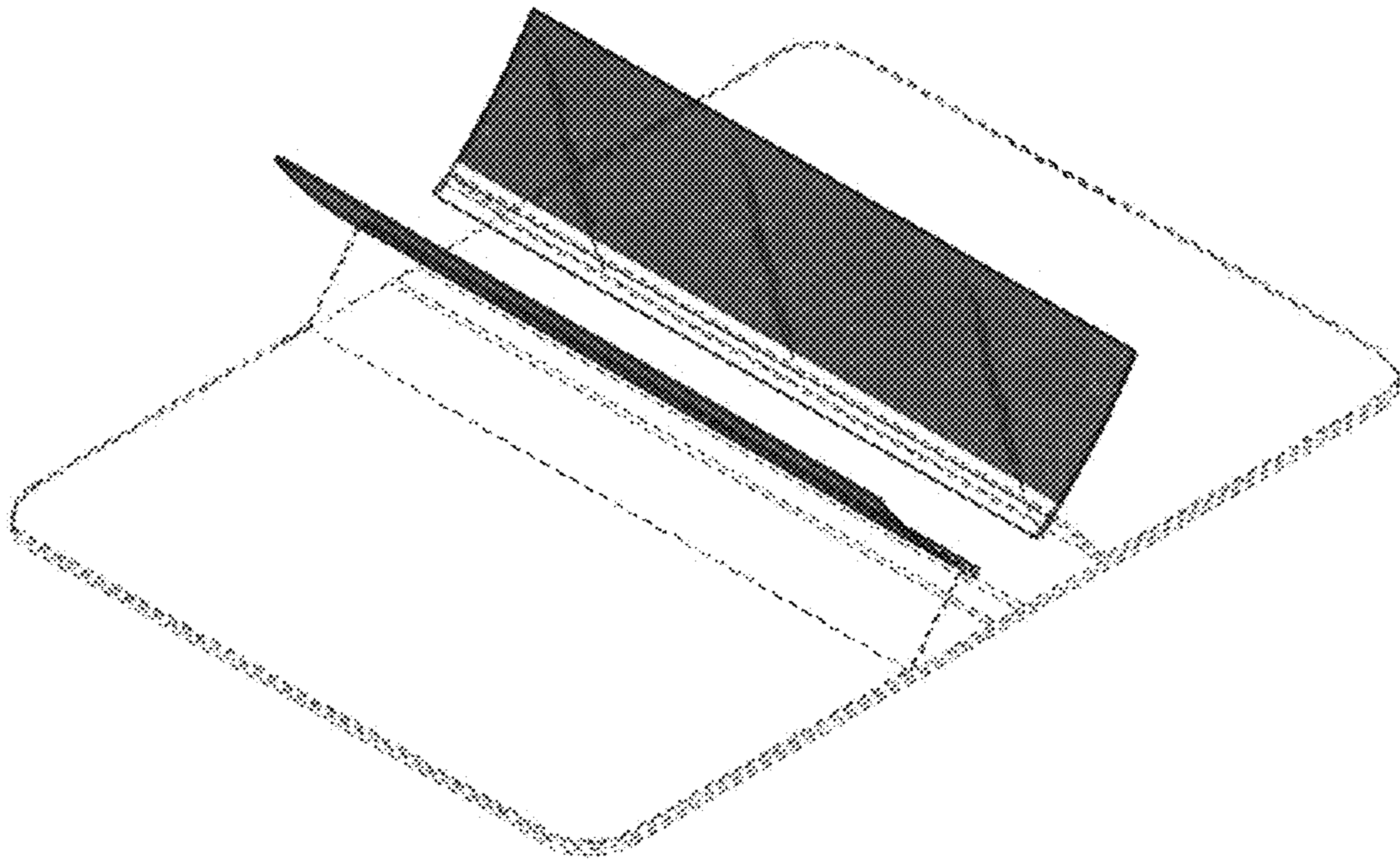


FIG. 22