



US00D698927S

(12) **United States Design Patent**  
**Caprio et al.**

(10) **Patent No.:** **US D698,927 S**  
(45) **Date of Patent:** **\*\* Feb. 4, 2014**

(54) **ELECTRICAL CONNECTOR**

(75) Inventors: **Matthew Caprio**, Seattle, WA (US);  
**Vanessa Beasley**, Clayton, NC (US);  
**Gerald J. McMorrow**, Redmond, WA  
(US); **Andrew Clay**, Everett, WA (US);  
**Ekaterina Filipova Ivanova**, Kirkland,  
WA (US); **Antonio Valenzuela**, Everett,  
WA (US)

(73) Assignee: **Verathon Inc.**, Bothell, WA (US)

(\*\*) Term: **14 Years**

(21) Appl. No.: **29/397,380**

(22) Filed: **Jul. 14, 2011**

(51) **LOC (10) Cl.** ..... **24-02**

(52) **U.S. Cl.**  
USPC ..... **D24/187**

(58) **Field of Classification Search**  
USPC ..... D24/107, 141, 158, 164, 165, 167, 170,  
D24/186-187, 231, 129, 138; D10/57, 60,  
D10/78, 80; 600/407, 461, 459; 378/98.7,  
378/98.8, 189  
See application file for complete search history.

(56) **References Cited**

U.S. PATENT DOCUMENTS

2,344,302	A *	3/1944	Harza	.....	D25/113
4,334,446	A *	6/1982	Field	.....	82/158
4,645,383	A *	2/1987	Lindsay	.....	407/36
5,004,113	A *	4/1991	Nogawa	.....	604/403
5,807,248	A *	9/1998	Mills	.....	600/322
D399,317	S *	10/1998	Nenye et al.	.....	D24/164
5,934,925	A *	8/1999	Tobler et al.	.....	439/325
D452,318	S *	12/2001	Merry et al.	.....	D24/168
D456,776	S *	5/2002	Lindekugel	.....	D24/169
D481,125	S *	10/2003	Hayamizu	.....	D24/138
D499,488	S *	12/2004	Chastain et al.	.....	D24/187

D551,344	S *	9/2007	Santora et al.	.....	D24/129
D566,839	S *	4/2008	Hayashi	.....	D24/129
D585,556	S *	1/2009	Kosaku	.....	D24/186
D603,520	S *	11/2009	Ninomiya et al.	.....	D24/187
D614,305	S *	4/2010	Al-Ali et al.	.....	D24/187
D615,853	S *	5/2010	Sullivan	.....	D8/380
D629,527	S *	12/2010	Crunkilton	.....	D24/187
D673,283	S *	12/2012	Mitchell	.....	D24/197

\* cited by examiner

*Primary Examiner* — T. Chase Nelson

*Assistant Examiner* — Mark Cavanna

(74) *Attorney, Agent, or Firm* — Foster Pepper PLLC;  
Richard T. Black; Richard A. Koske

(57) **CLAIM**

The ornamental design for electrical connector, as shown and described.

**DESCRIPTION**

FIG. 1 is a front perspective view of an electrical connector, including a top portion depicted in dashed lines, showing our new design;

FIG. 2 is a front perspective view of the electrical connector, without the top portion,

FIG. 3 is a top plan view of the electrical connector in FIG. 2; FIG. 4 is a front elevation view of the electrical connector in FIG. 2;

FIG. 5 is a right side elevation view of the electrical connector in FIG. 2;

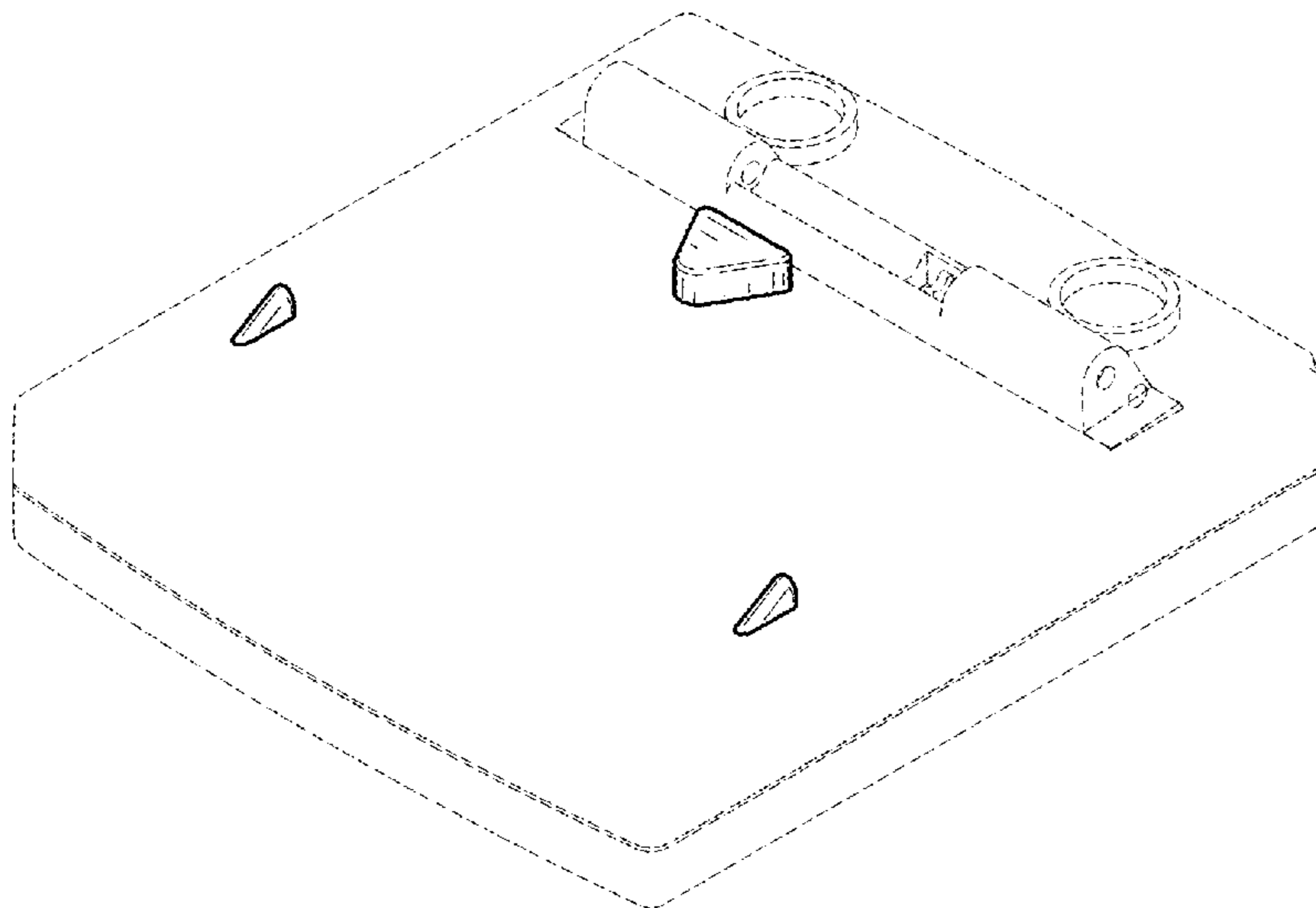
FIG. 6 is a left side elevation view of the electrical connector in FIG. 2;

FIG. 7 is a rear elevation view of the electrical connector in FIG. 2; and,

FIG. 8 is a bottom plan view of the electrical connector in FIG. 2.

The structural features shown in broken lines are for illustrative purposes only and form no part of the claimed design.

**1 Claim, 5 Drawing Sheets**



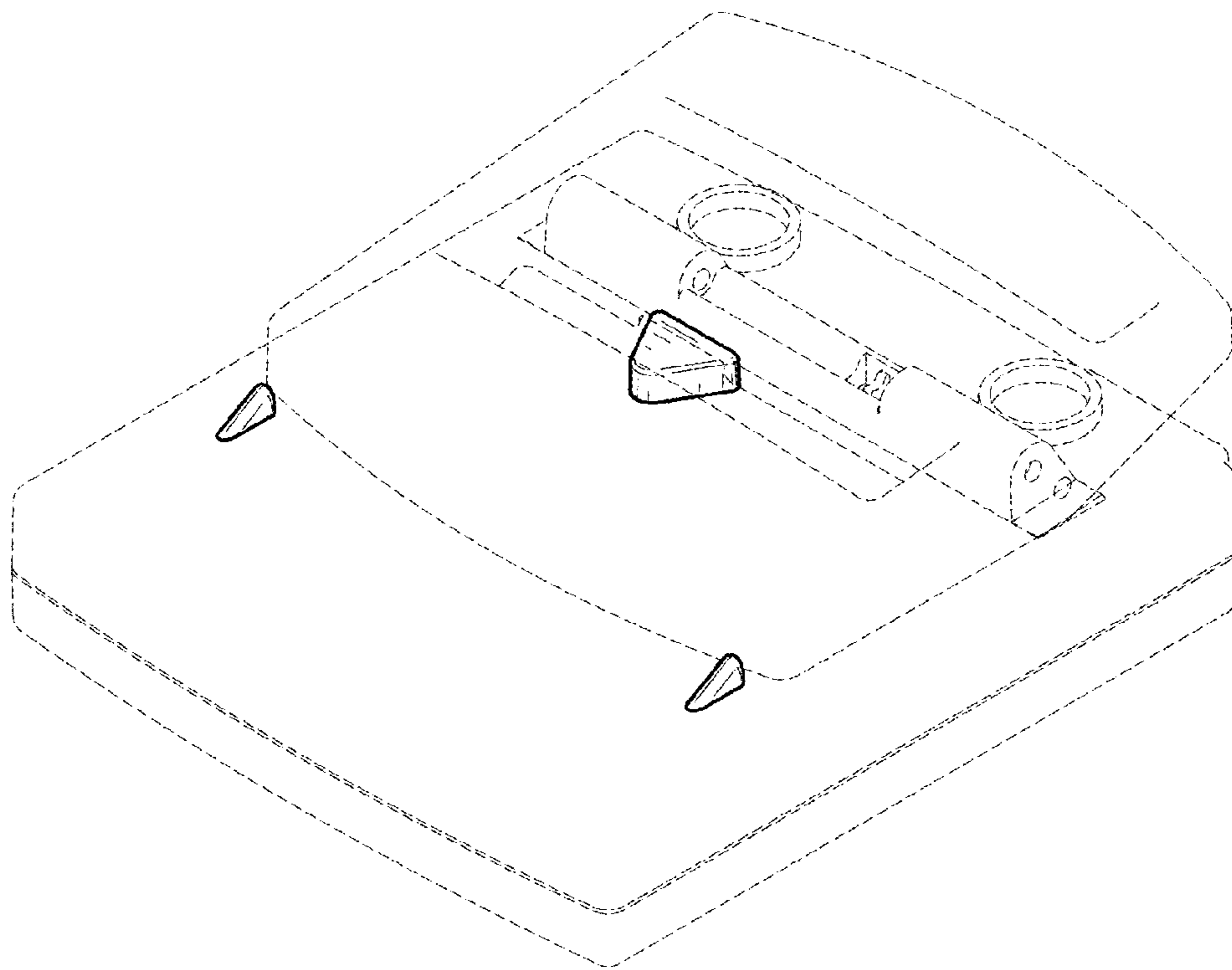


FIG.1

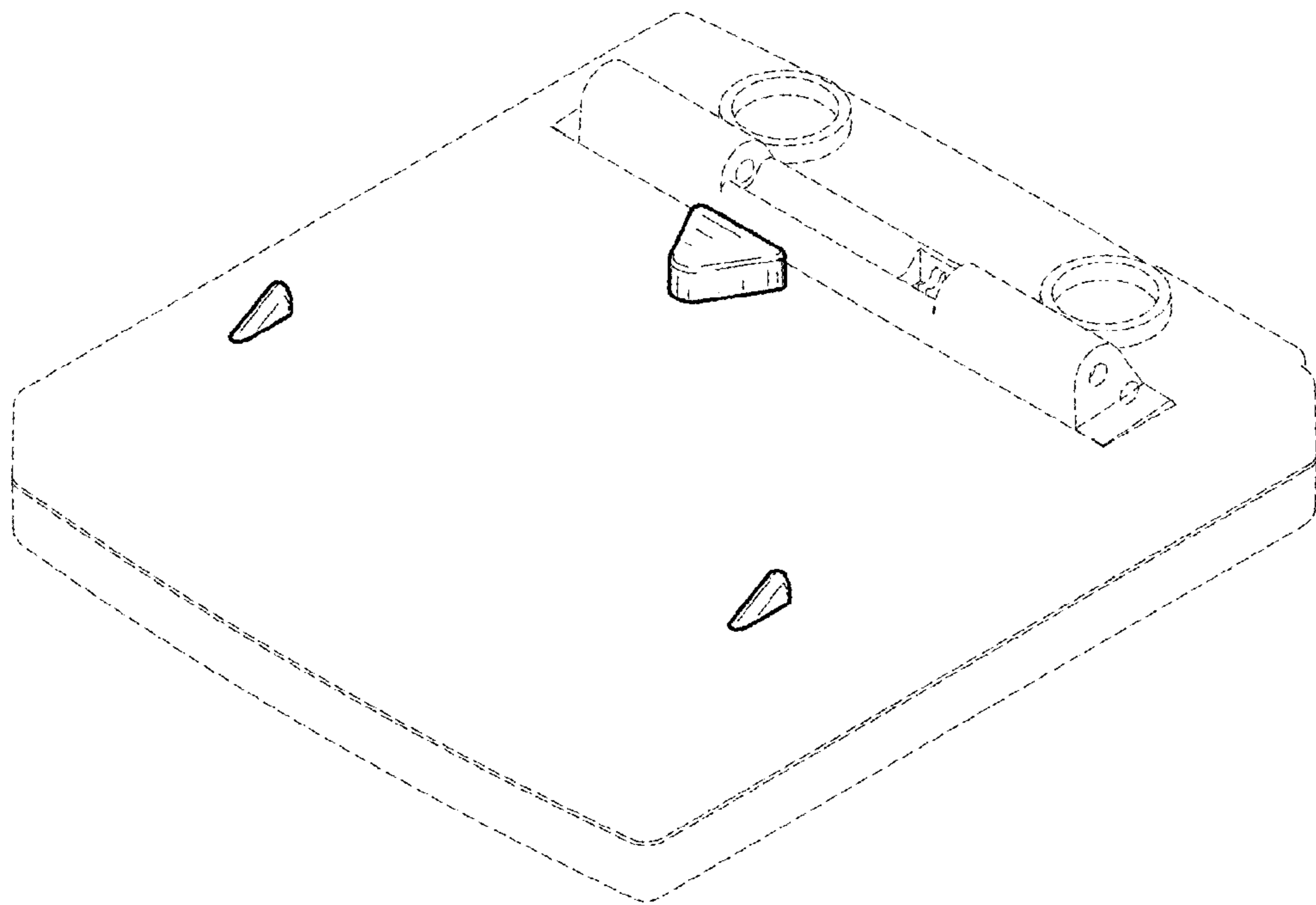


FIG. 2

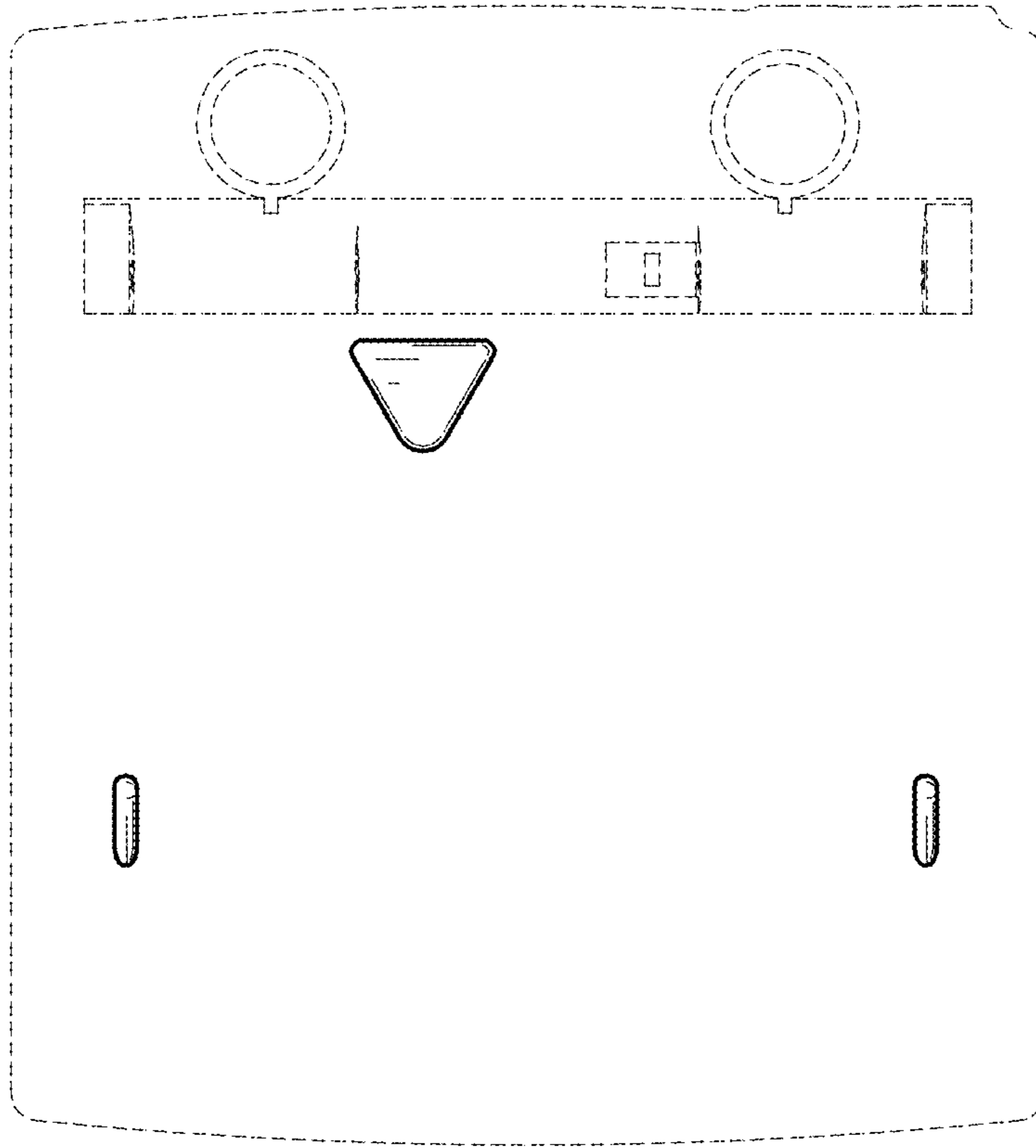


FIG. 3

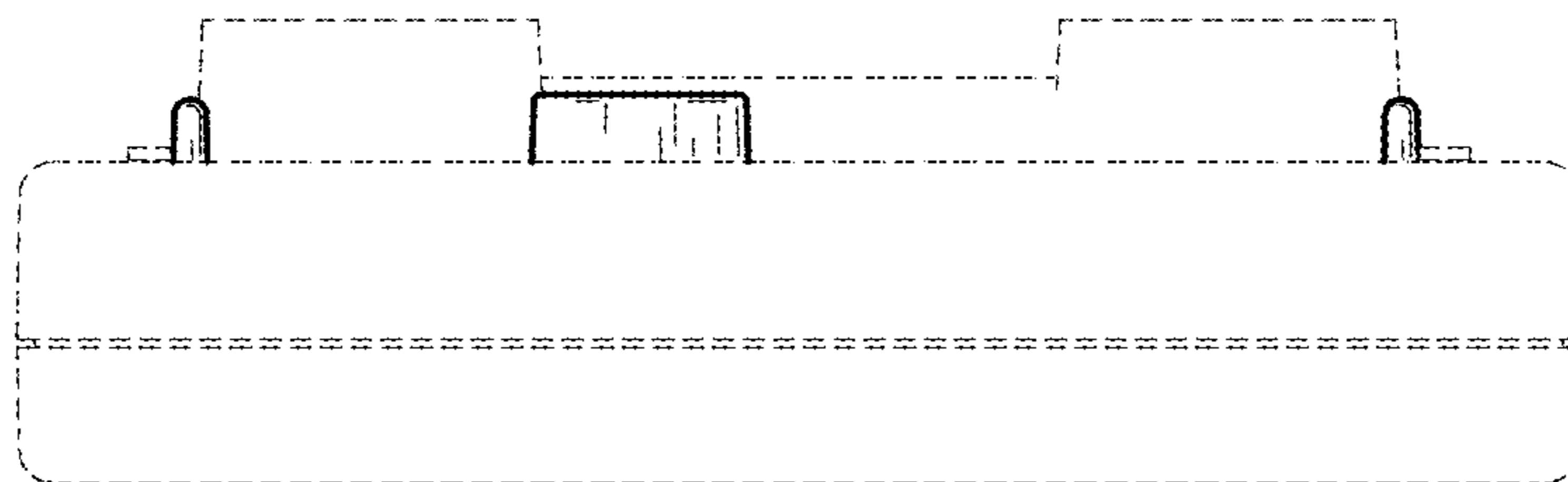


FIG. 4

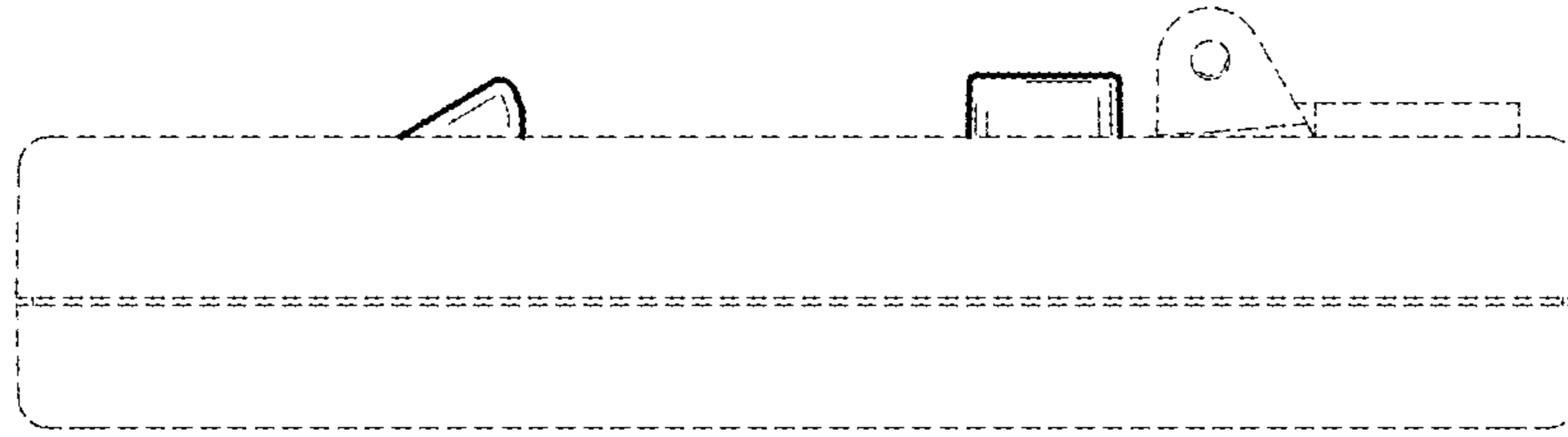


FIG. 5

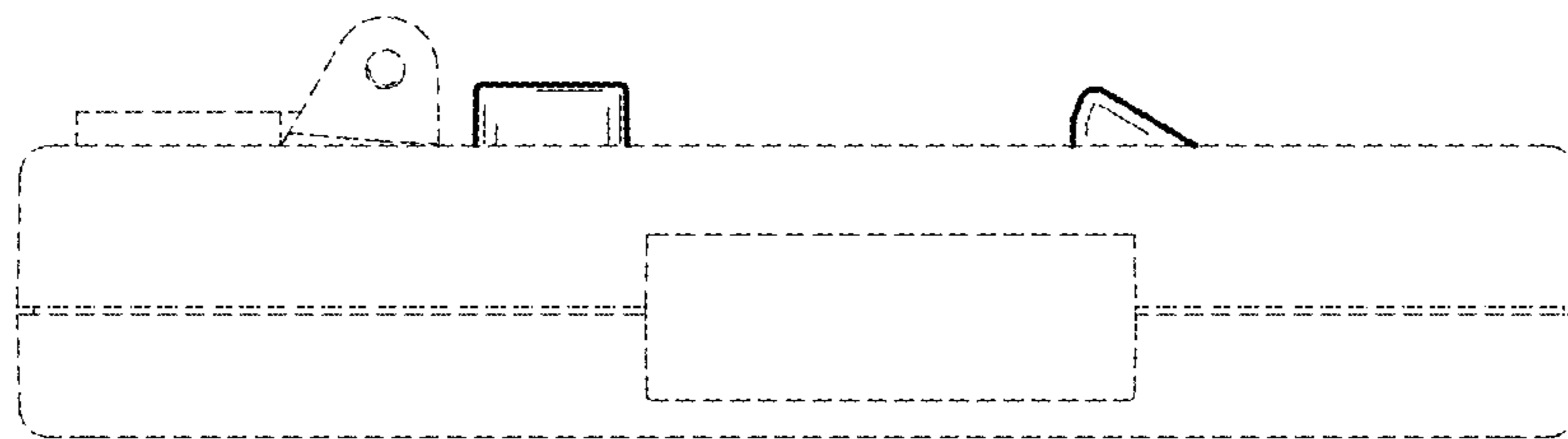


FIG. 6

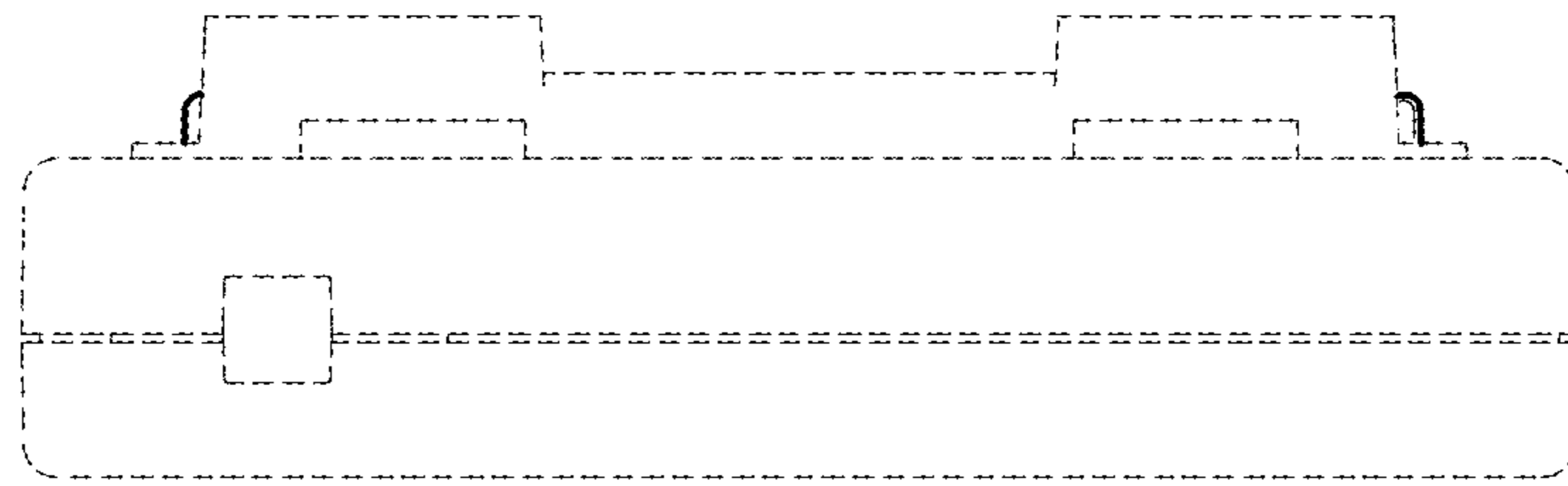


FIG. 7

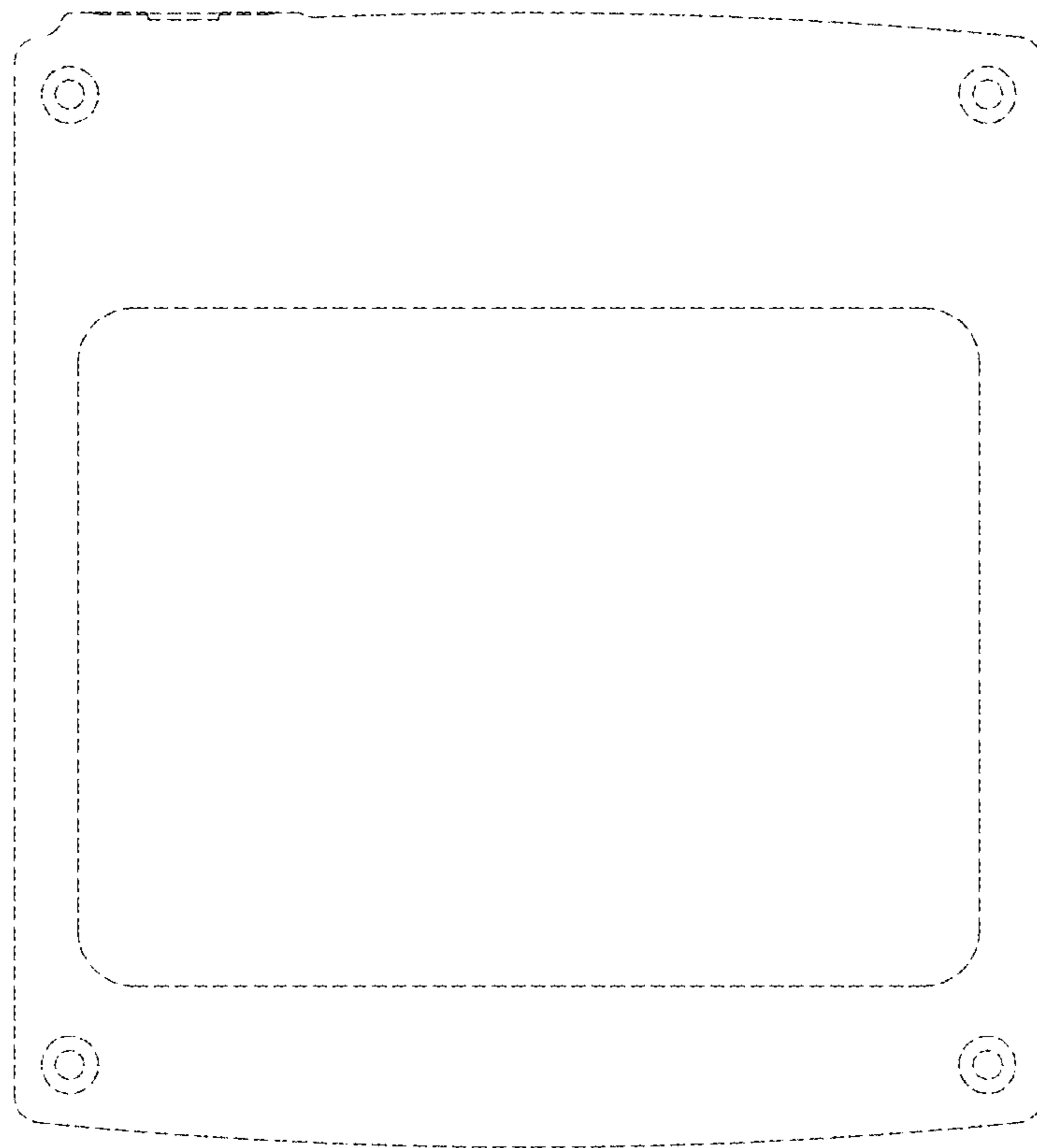


FIG. 8