



US00D698925S

(12) **United States Design Patent**
Marzynski

(10) **Patent No.:** **US D698,925 S**

(45) **Date of Patent:** **** Feb. 4, 2014**

(54) **BIOMEDICAL MULTIFUNCTION TESTER**

(75) Inventor: **Matthew Marzynski**, Seattle, WA (US)

(73) Assignee: **Fluke Corporation**, Everett, WA (US)

(**) Term: **14 Years**

(21) Appl. No.: **29/409,501**

(22) Filed: **Dec. 23, 2011**

(51) **LOC (10) Cl.** **24-01**

(52) **U.S. Cl.**

USPC **D24/186**

(58) **Field of Classification Search**

USPC D24/107, 155, 158, 164, 165, 167, 169,
D24/170, 185-187, 216, 231; 600/300, 301,
600/368, 372, 490, 493-495, 499-501, 529,
600/544, 554, 561; D10/31, 78.81;
D14/336; 434/236, 262; 128/900,
128/903-904

See application file for complete search history.

(56) **References Cited**

U.S. PATENT DOCUMENTS

D332,833 S *	1/1993	Lauks et al.	D10/78
D392,043 S *	3/1998	Cooper et al.	D24/186
D400,255 S *	10/1998	Myers et al.	D24/186
D447,569 S *	9/2001	Baily et al.	D24/186
D554,266 S *	10/2007	Striepe et al.	D24/186
D584,975 S *	1/2009	Haberstroh	D10/81
D608,452 S *	1/2010	Huang	D24/186
D652,522 S *	1/2012	Koester	D24/186
D678,531 S *	3/2013	Patil	D24/186

* cited by examiner

Primary Examiner — T. Chase Nelson

Assistant Examiner — Mark Cavanna

(74) *Attorney, Agent, or Firm* — Christensen O'Connor Johnson Kindnes PLLC

(57) **CLAIM**

The ornamental design for a biomedical multifunction tester, as shown and described.

DESCRIPTION

FIG. 1 is a top plan view of a first embodiment of a biomedical multifunction tester.

FIG. 2 is a back view thereof.

FIG. 3 is a front view thereof.

FIG. 4 is a bottom view thereof.

FIG. 5 is a left side view thereof.

FIG. 6 is a right side view thereof.

FIG. 7 is a first perspective view thereof.

FIG. 8 is a second perspective view thereof.

FIG. 9 is a third perspective view thereof.

FIG. 10 is a fourth second perspective view thereof.

FIG. 11 is a fifth perspective view thereof.

FIG. 12 is a sixth perspective view thereof.

FIG. 13 is a top plan view of a second embodiment of a biomedical multifunction tester.

FIG. 14 is a back view thereof.

FIG. 15 is a front view thereof.

FIG. 16 is a bottom view thereof.

FIG. 17 is a left side view thereof.

FIG. 18 is a right side view thereof.

FIG. 19 is a first perspective view thereof.

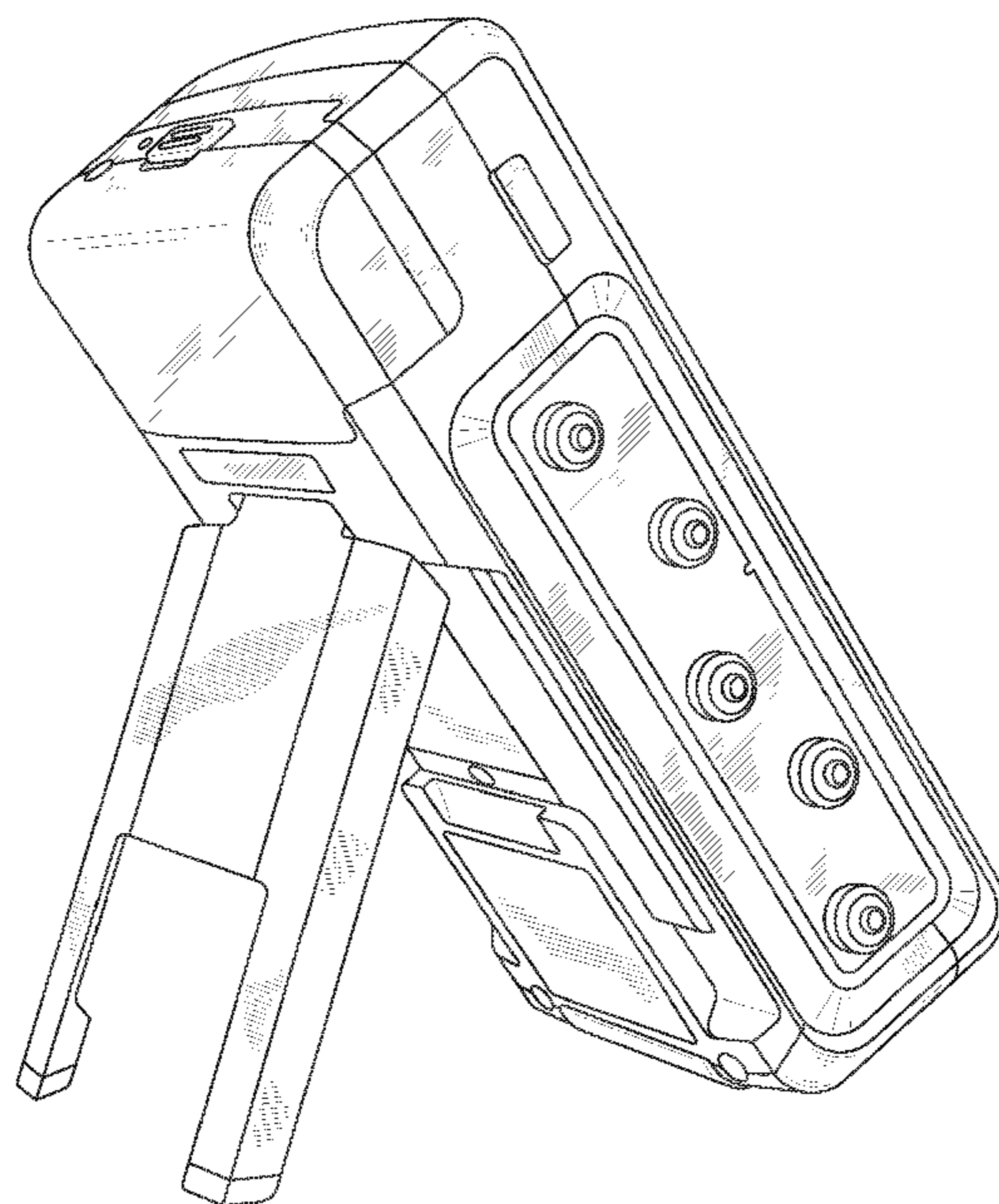
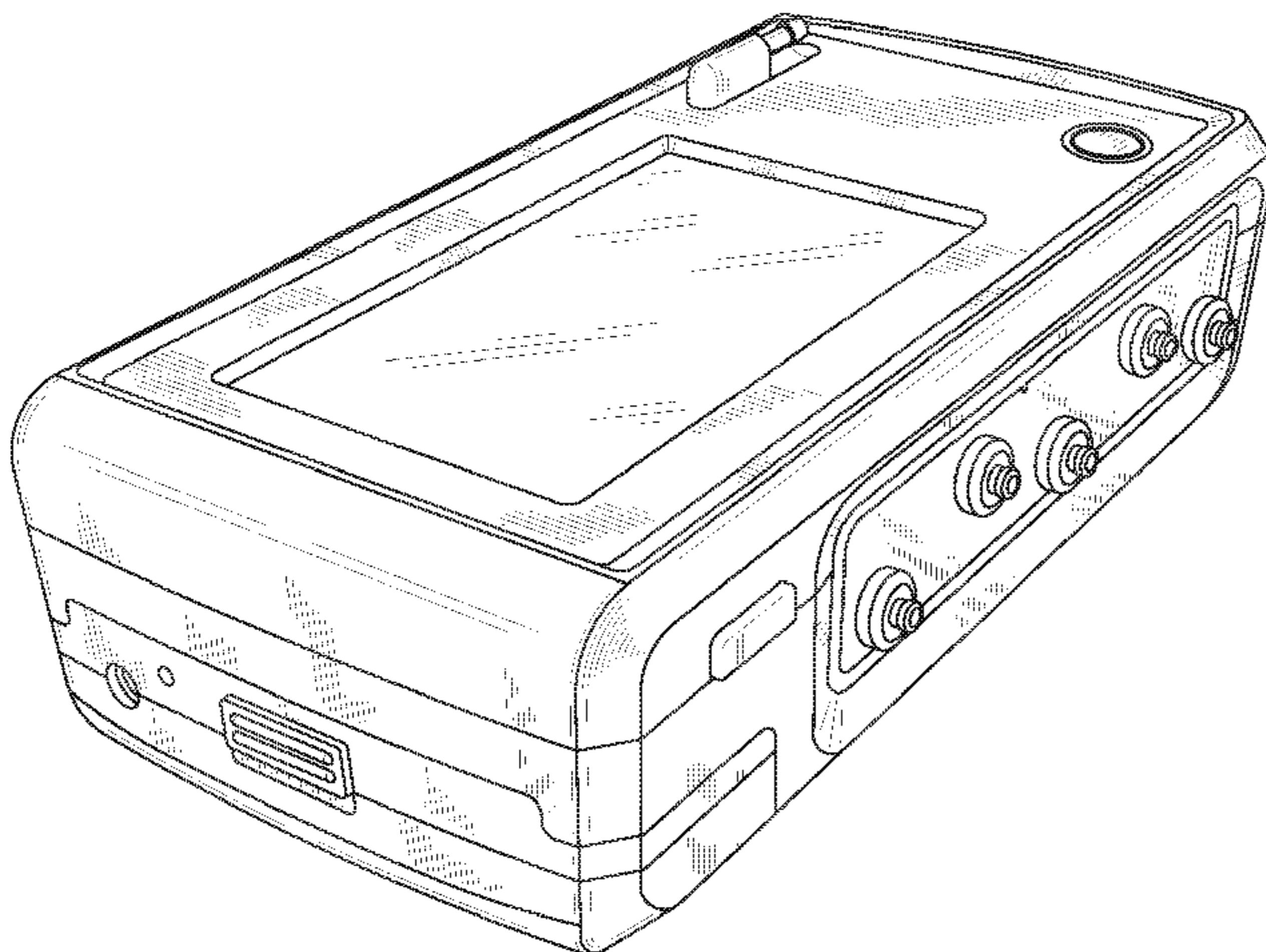
FIG. 20 is a second perspective view thereof.

FIG. 21 is a third perspective view thereof.

FIG. 22 is a fourth perspective view thereof; and,

FIG. 23 is a top plan view of a third embodiment of a biomedical multifunction tester.

1 Claim, 18 Drawing Sheets



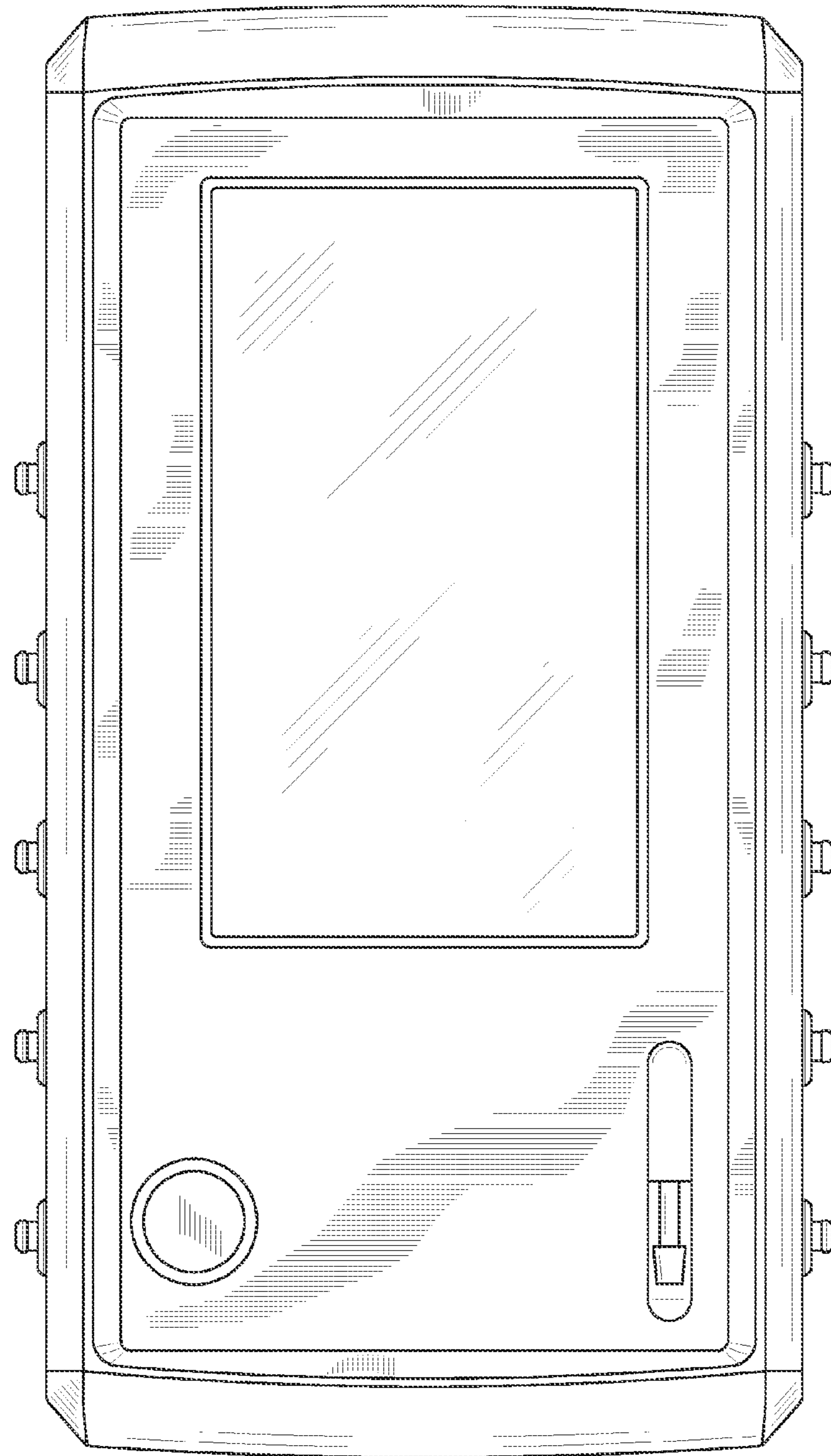


FIG. 1

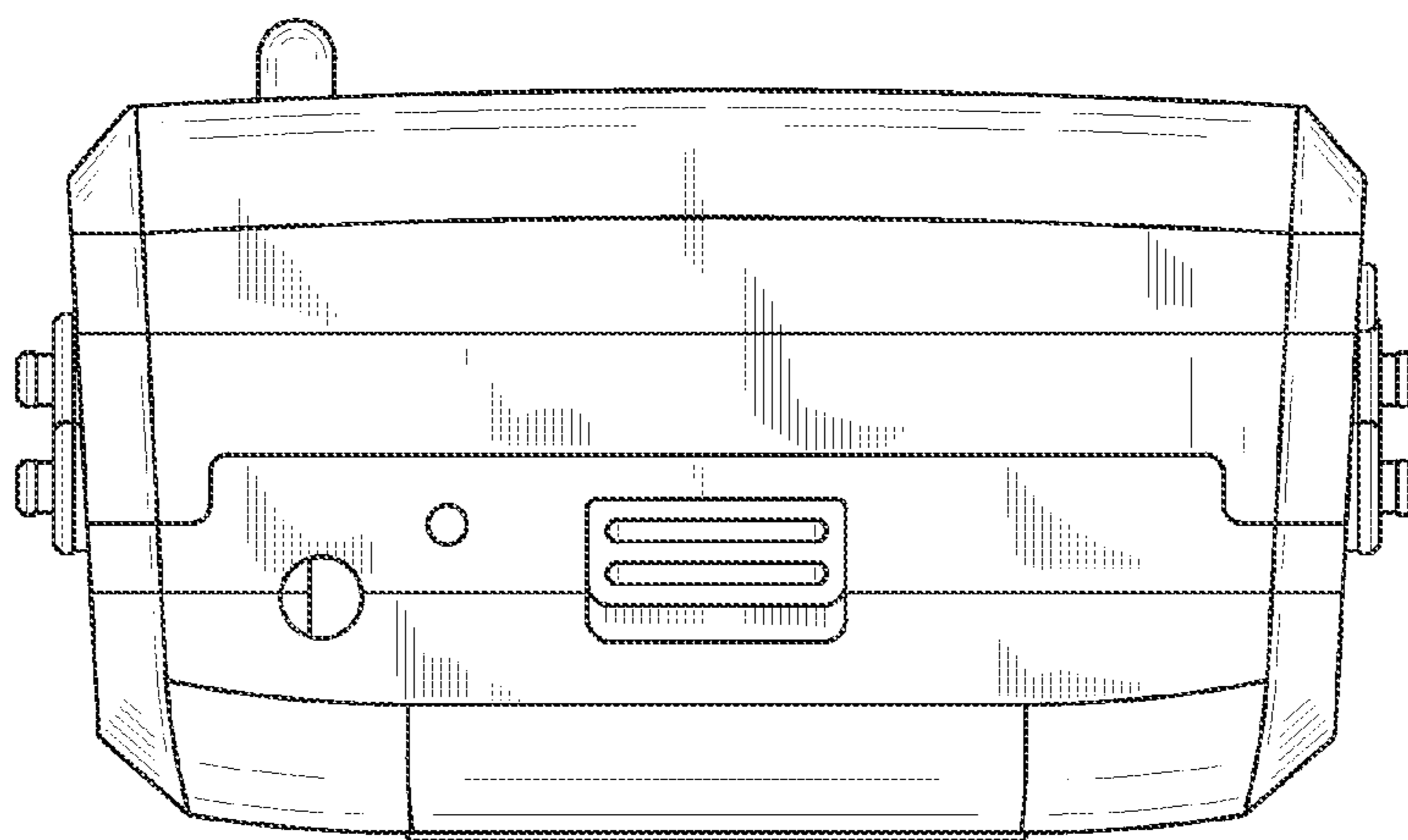


FIG. 2

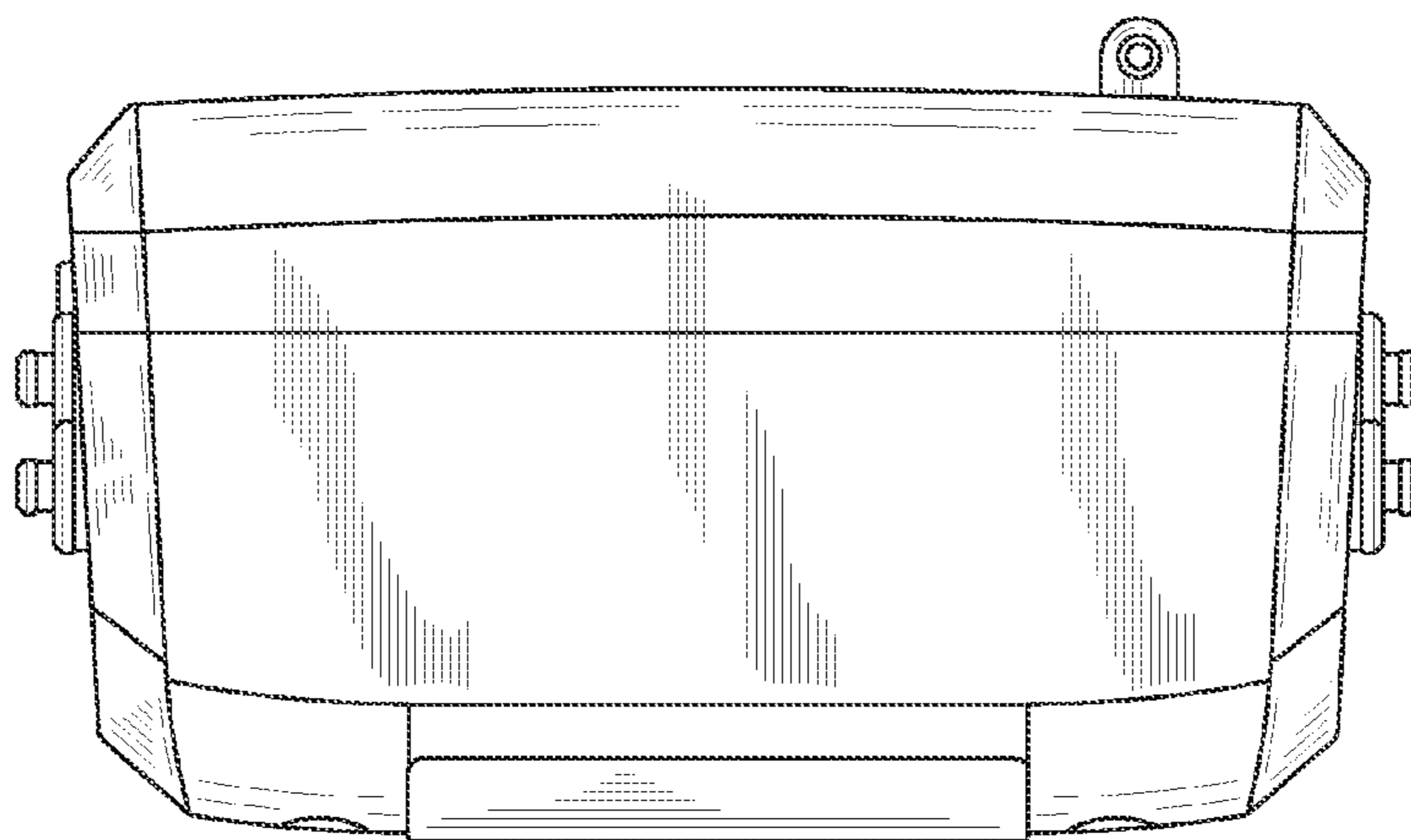


FIG. 3

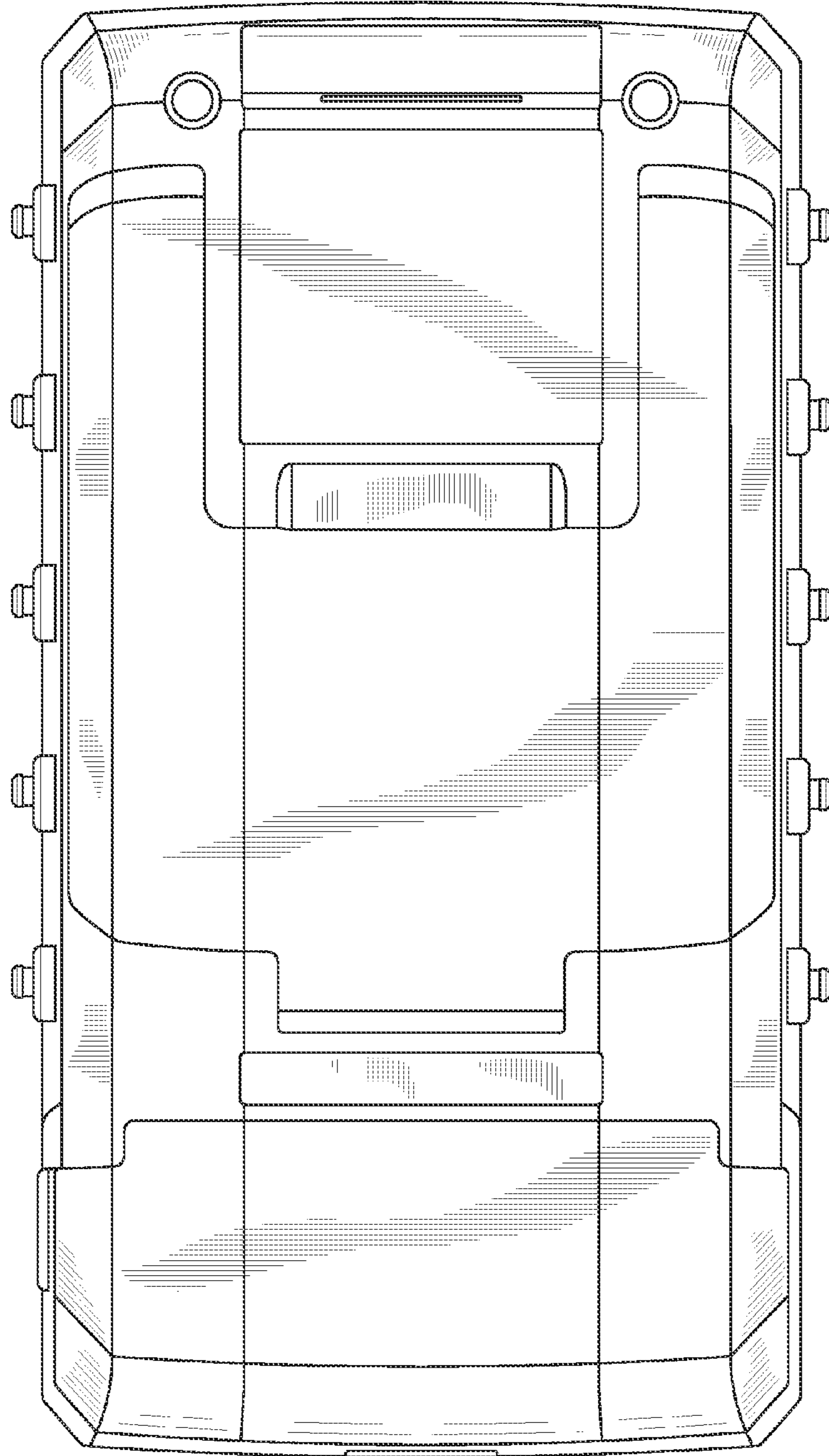


FIG. 4

FIG. 5

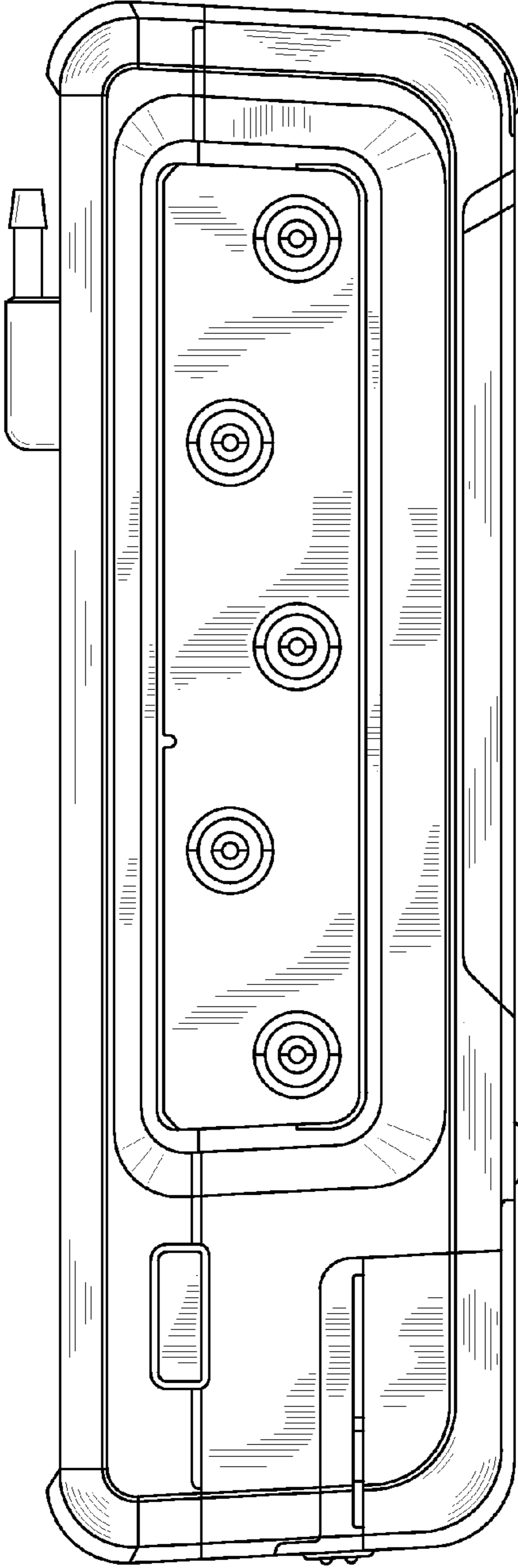
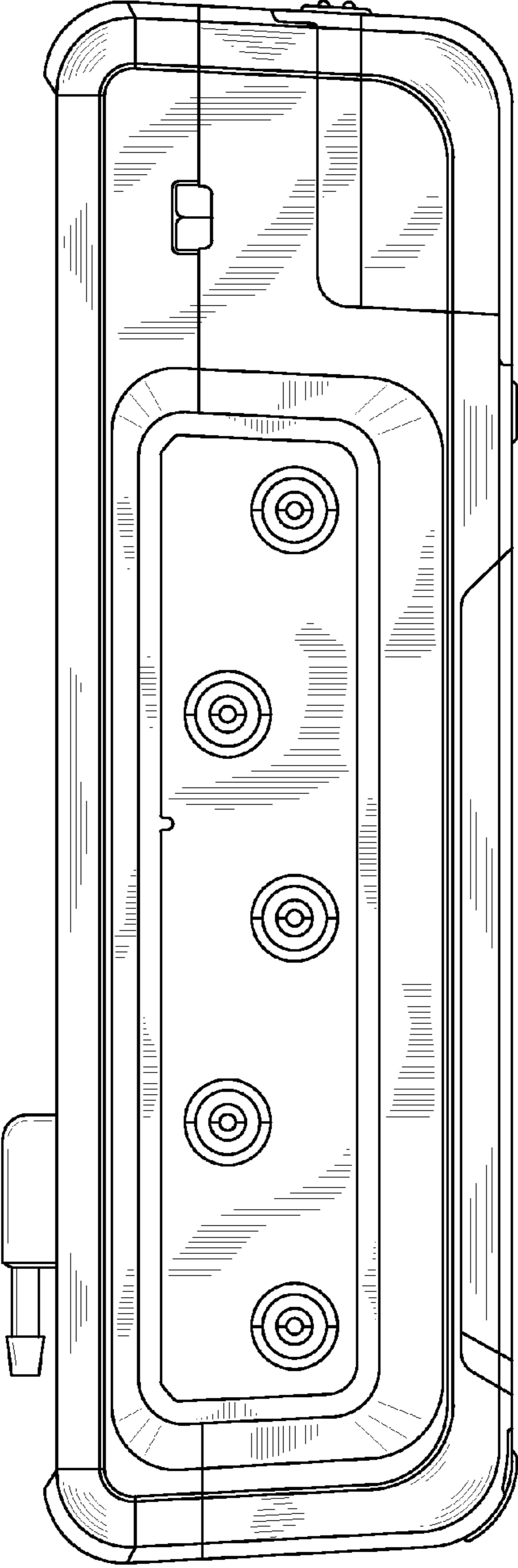


FIG. 6



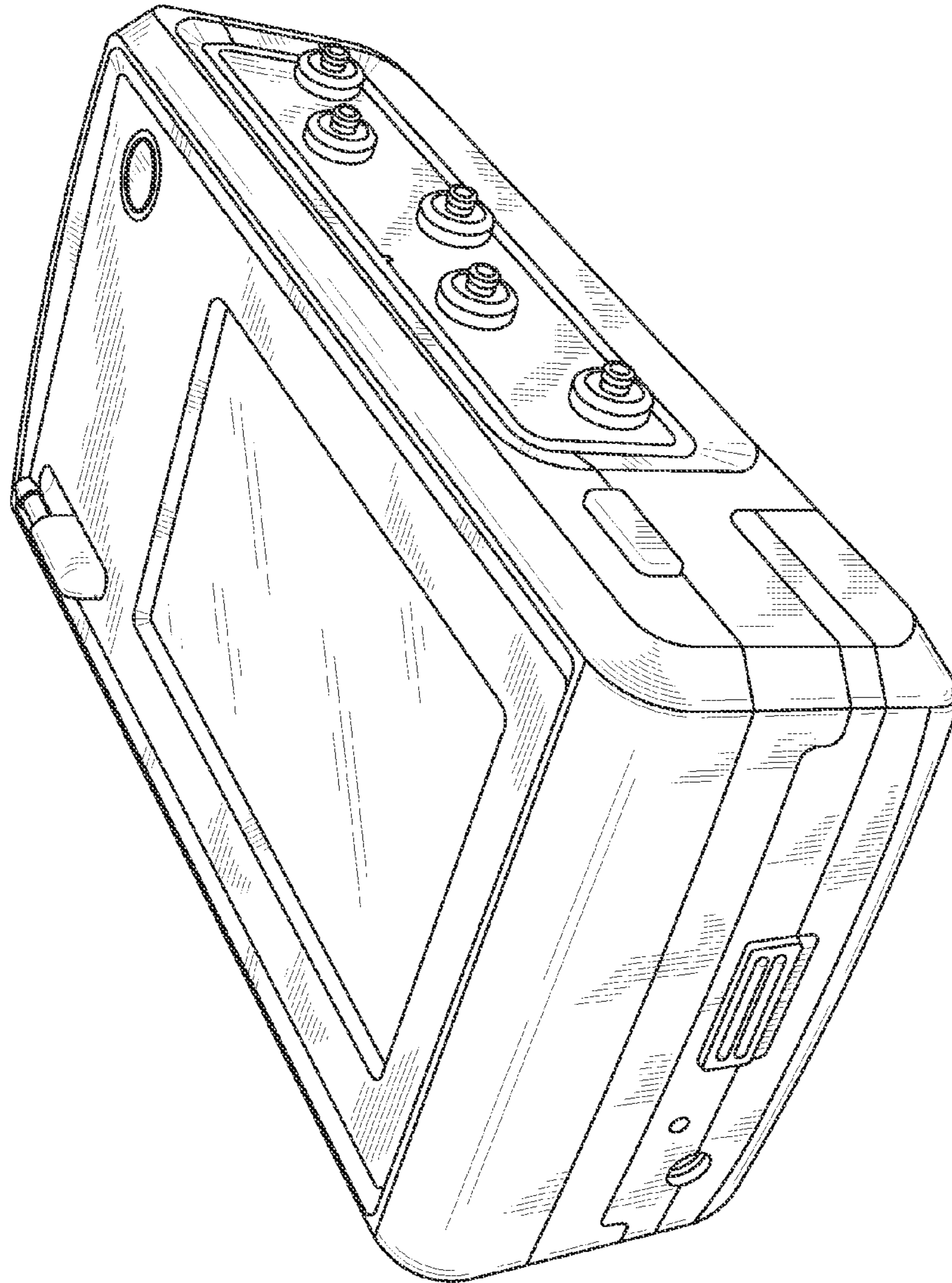


FIG. 7

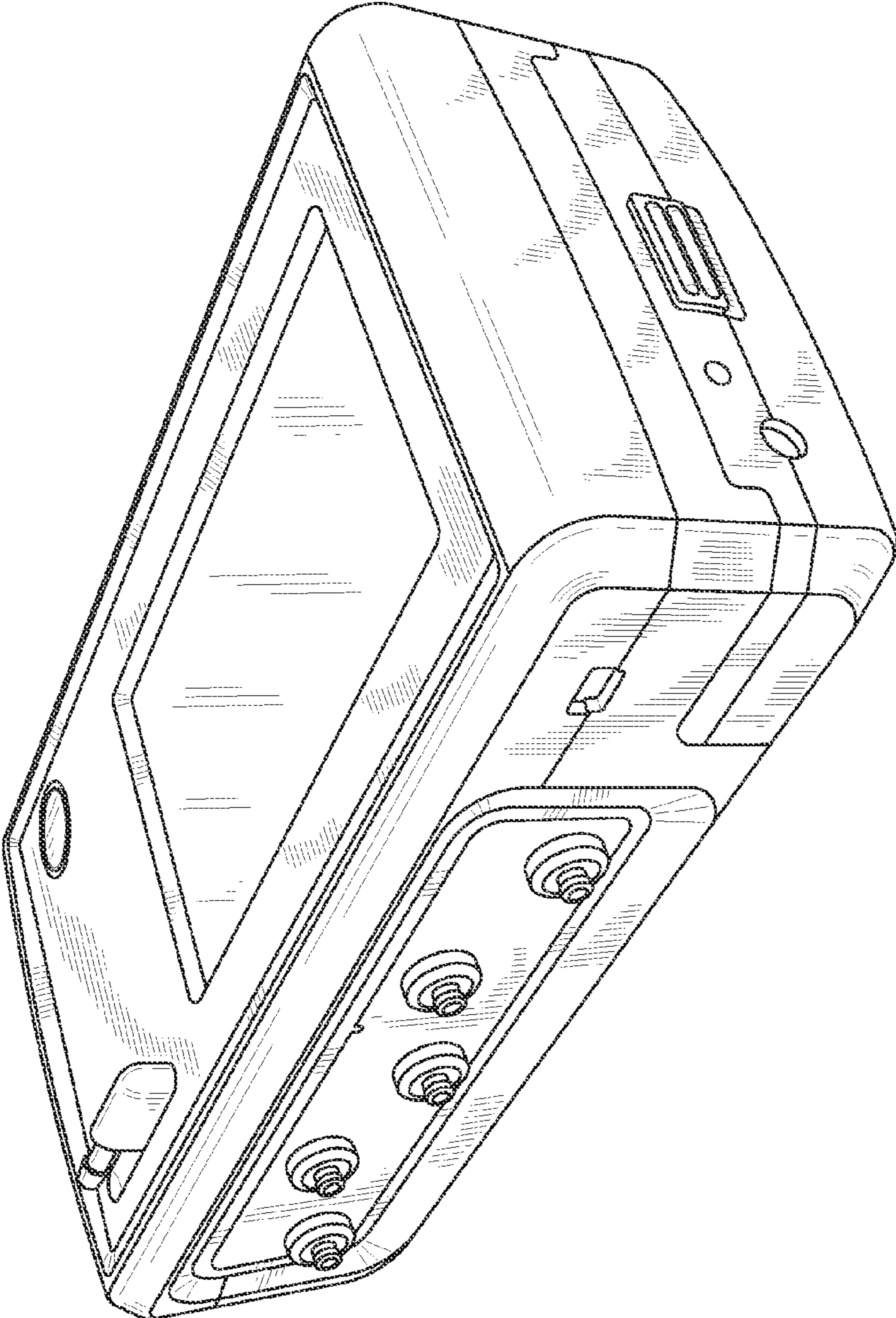


FIG. 8

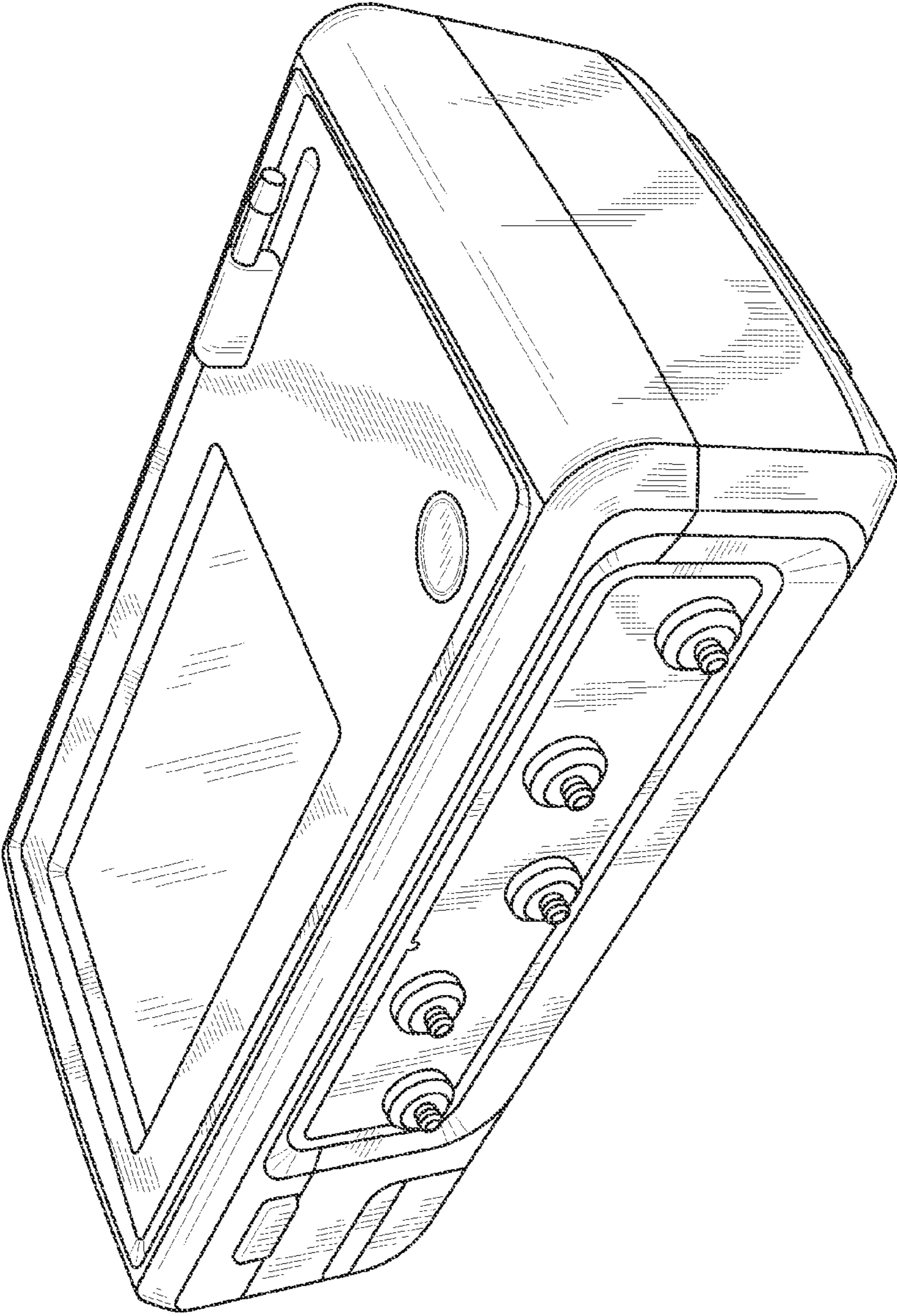


FIG. 9

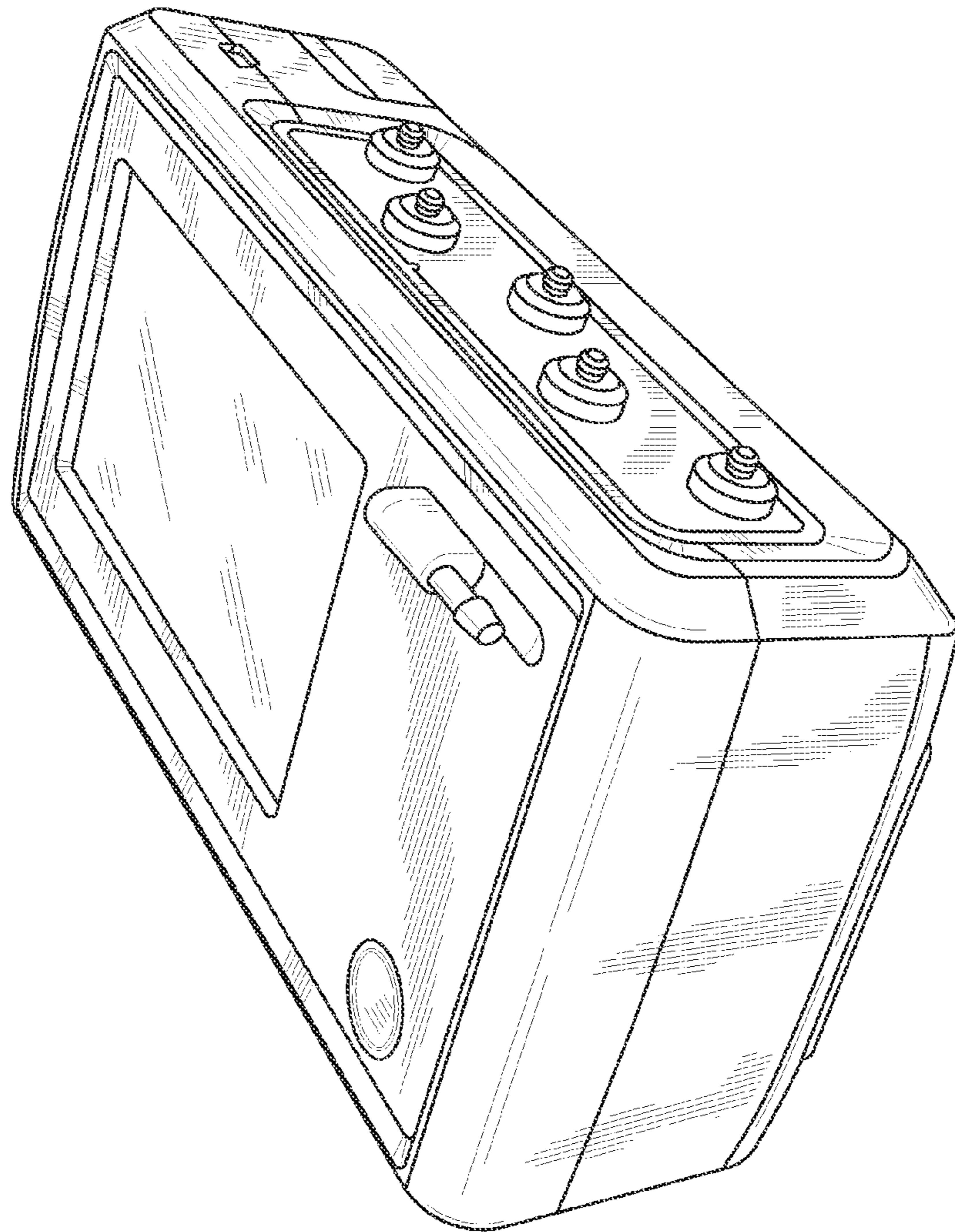


FIG. 10

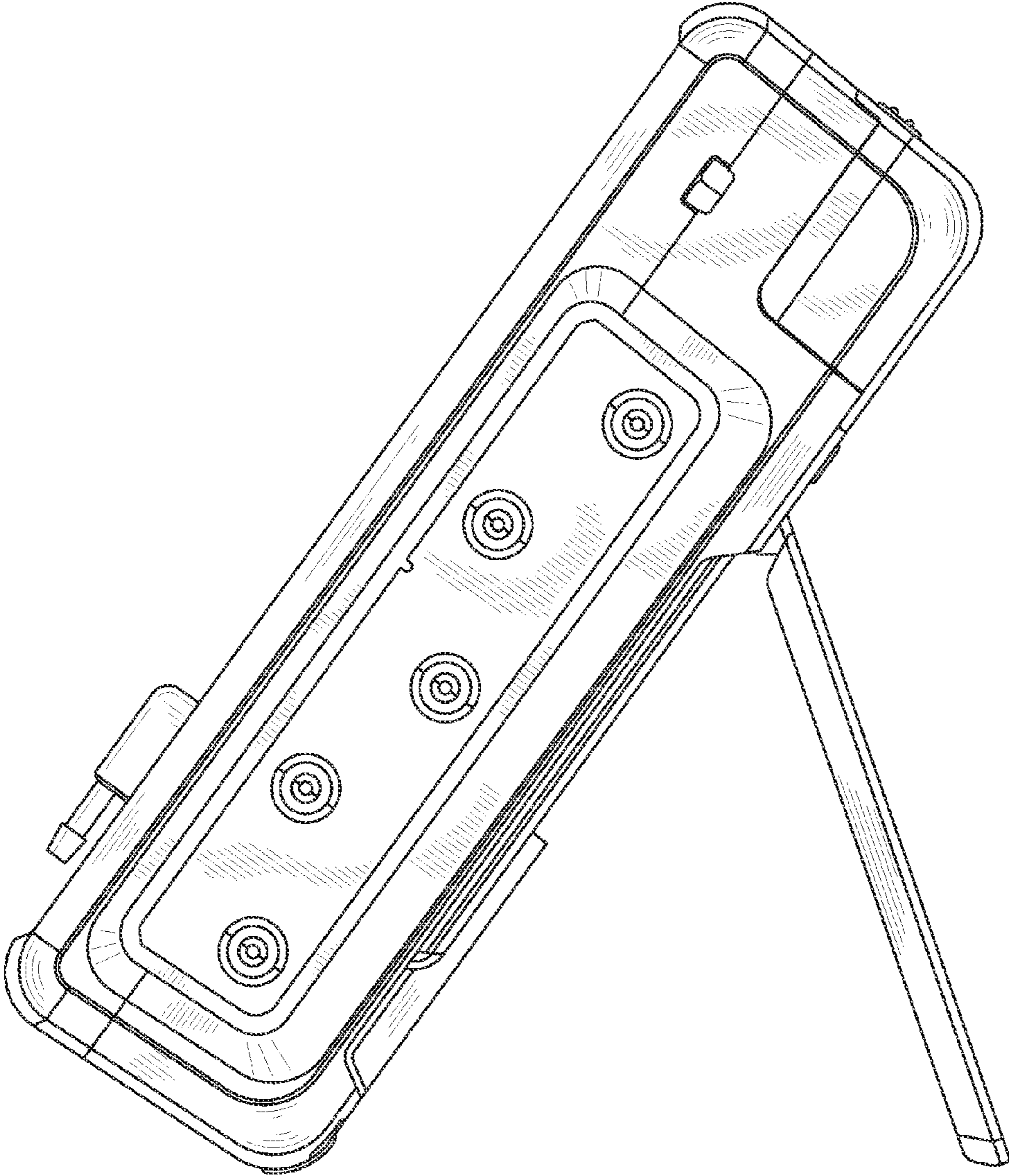


FIG. 11

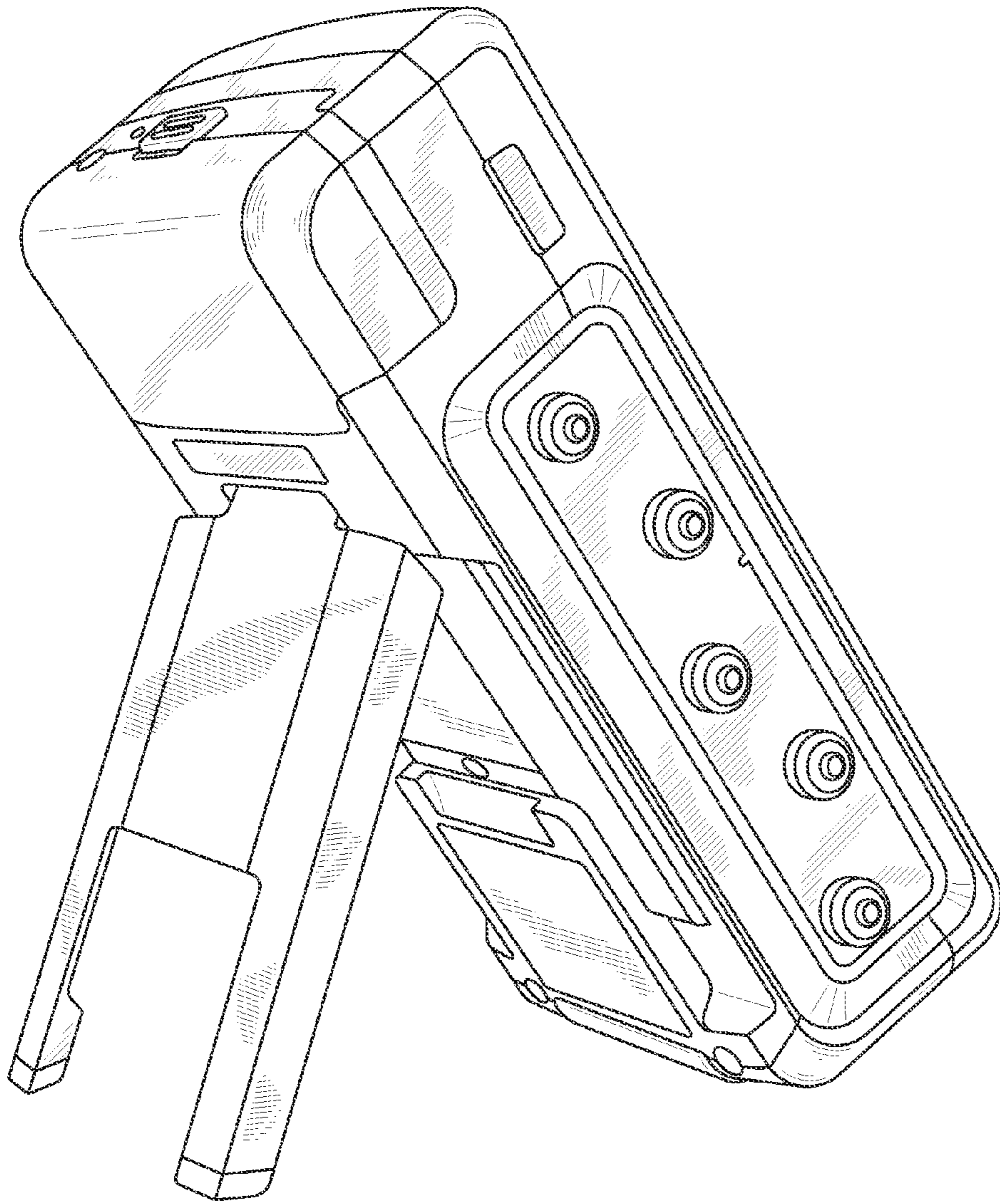


FIG. 12

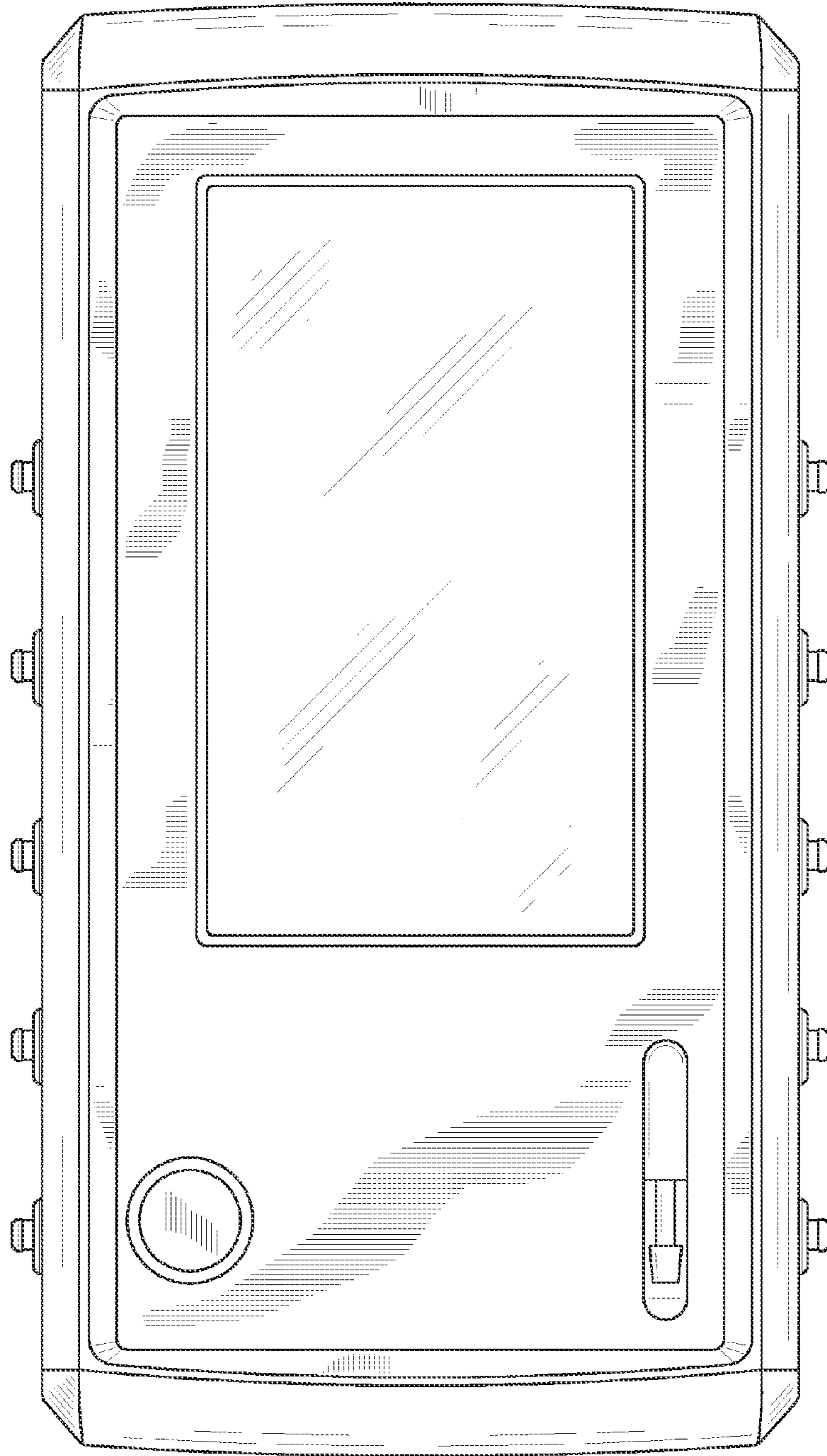


FIG. 13

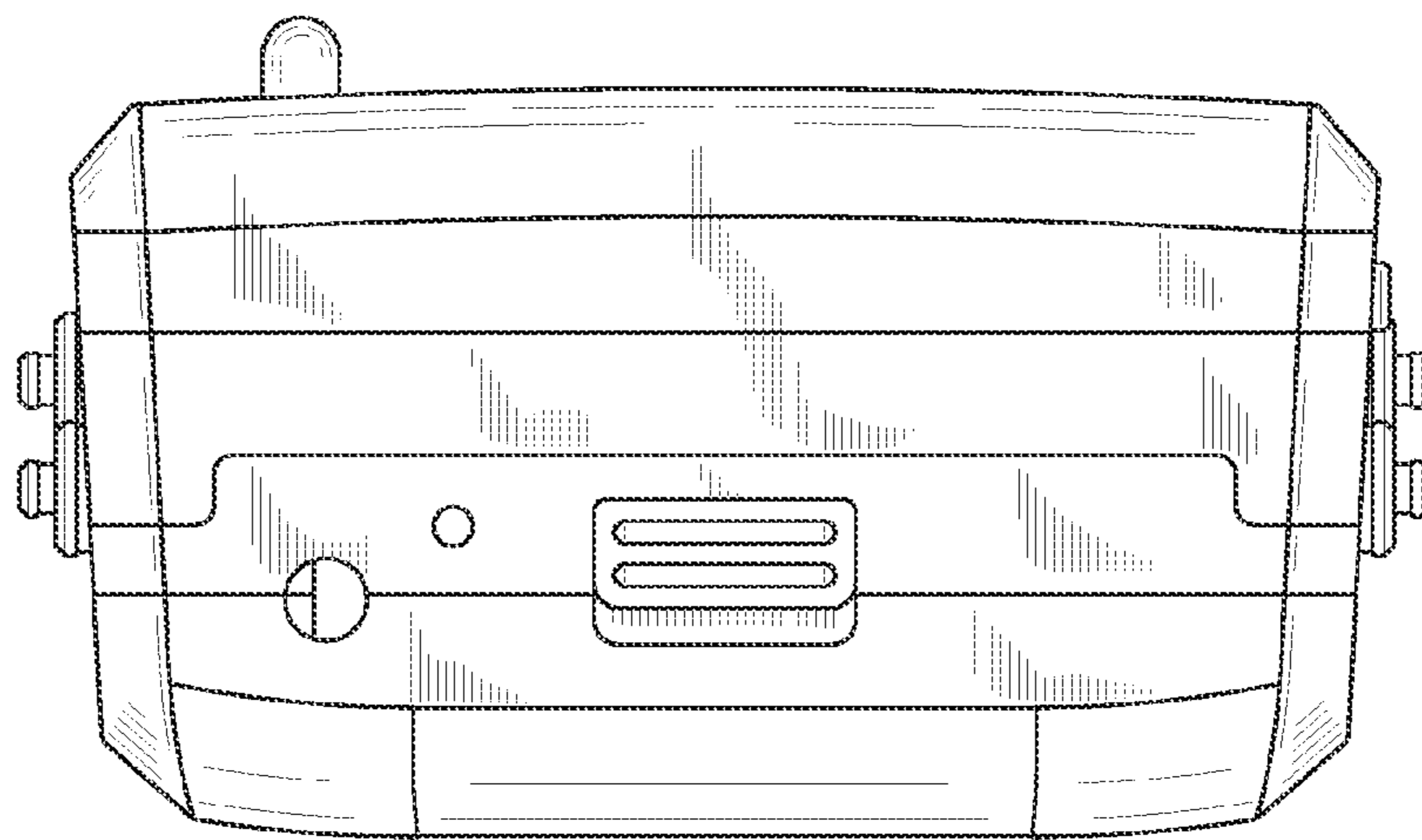


FIG. 14

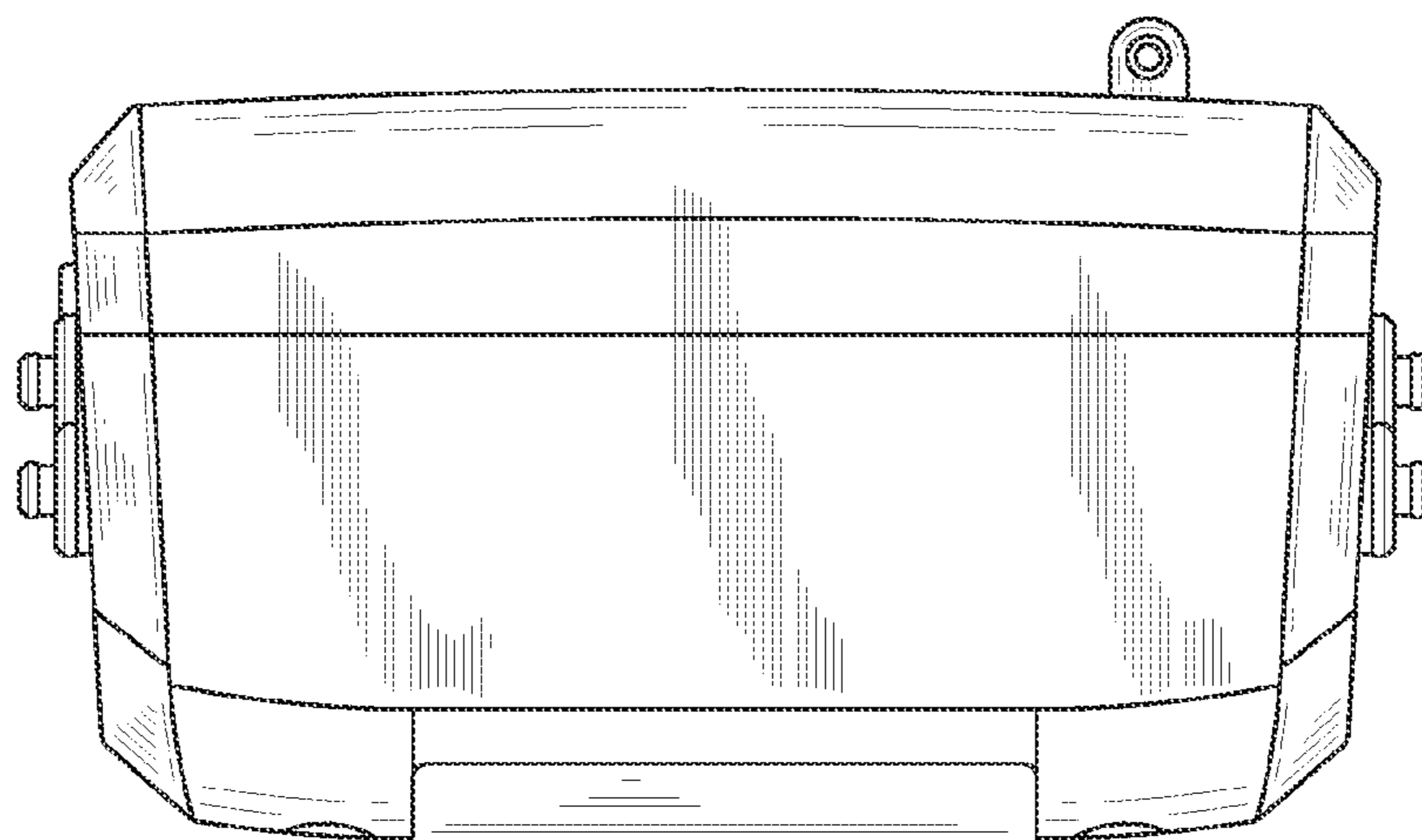


FIG. 15

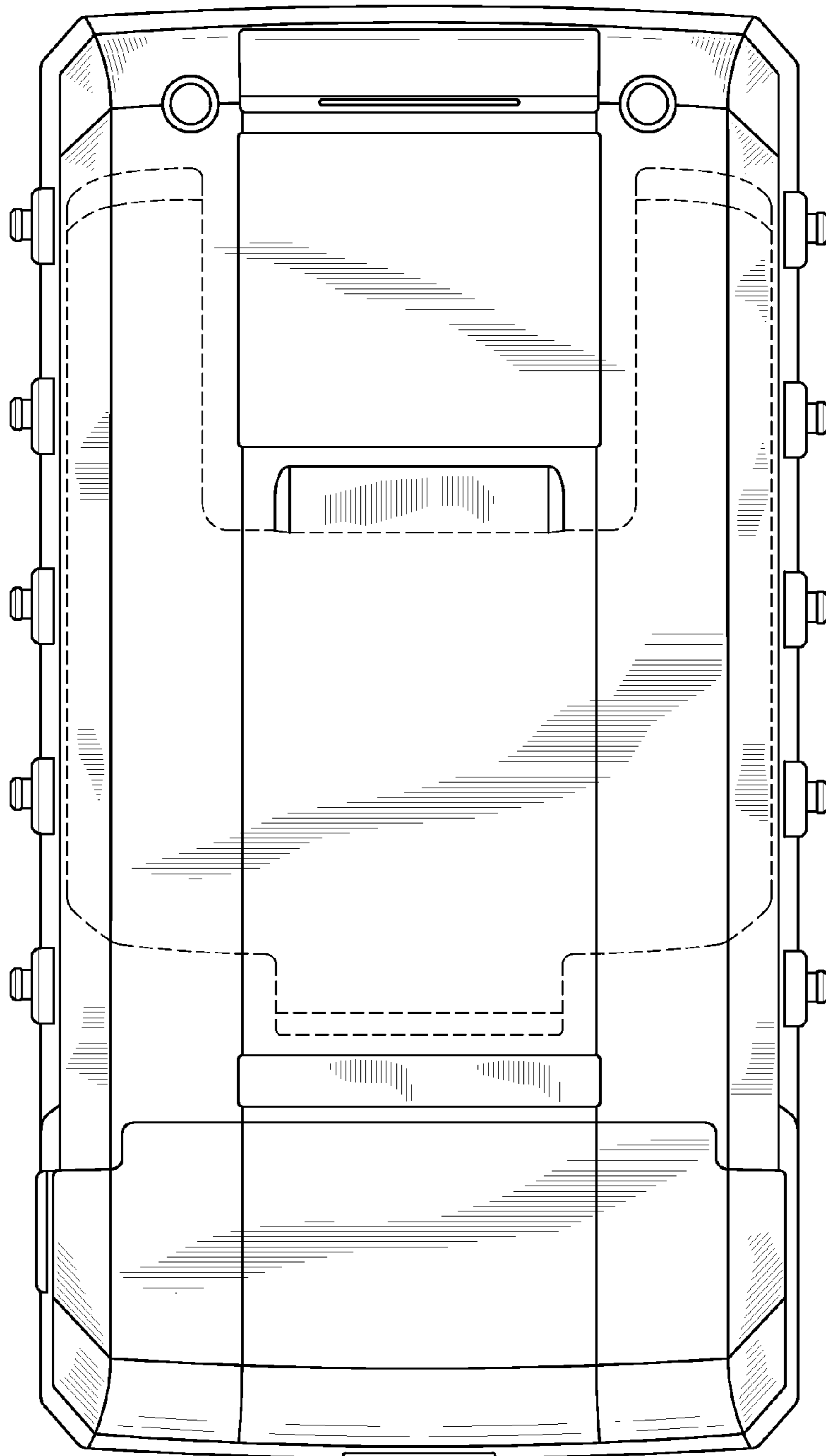


FIG. 16

FIG. 17

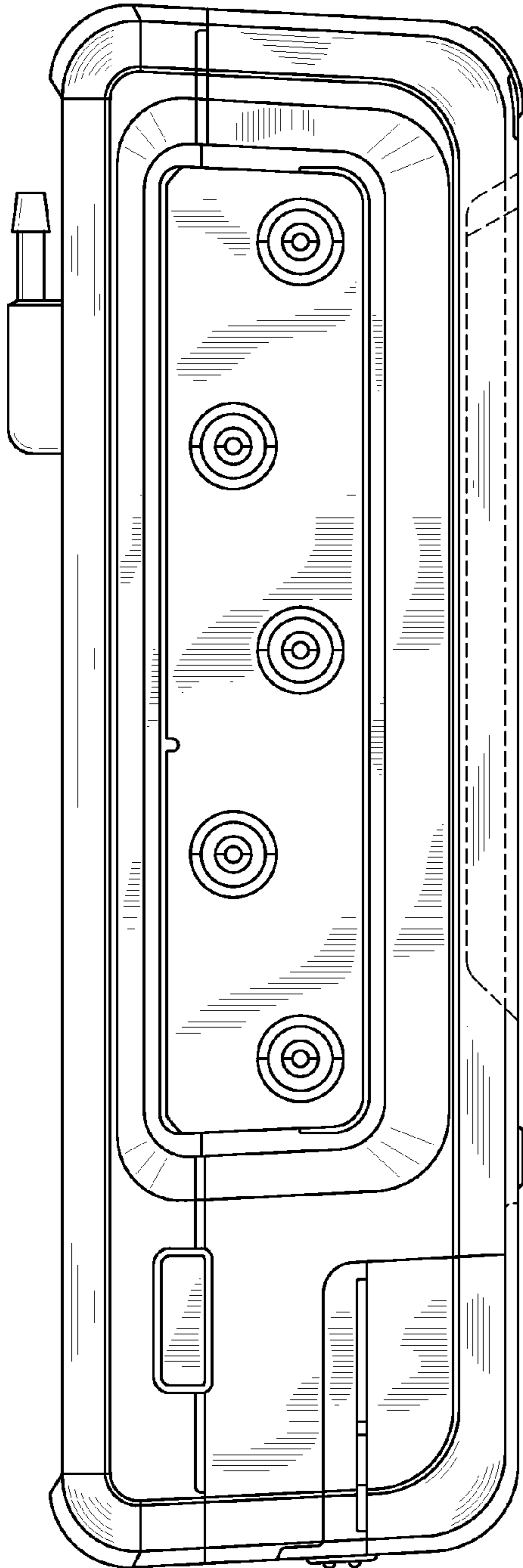
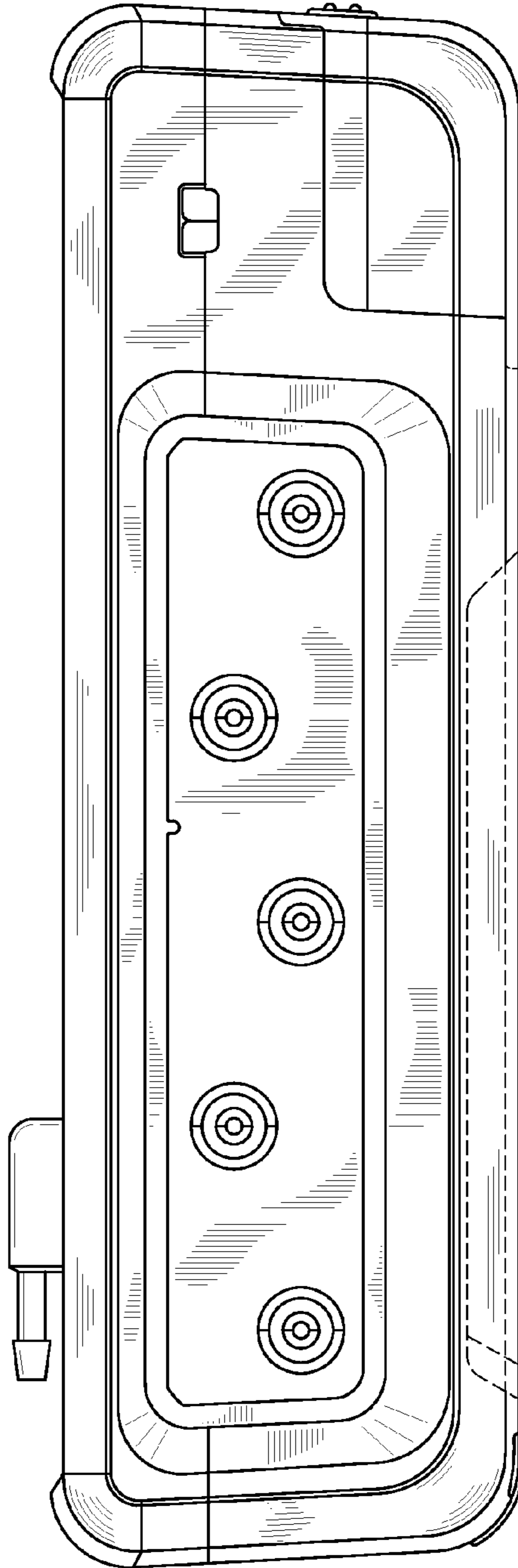


FIG. 18



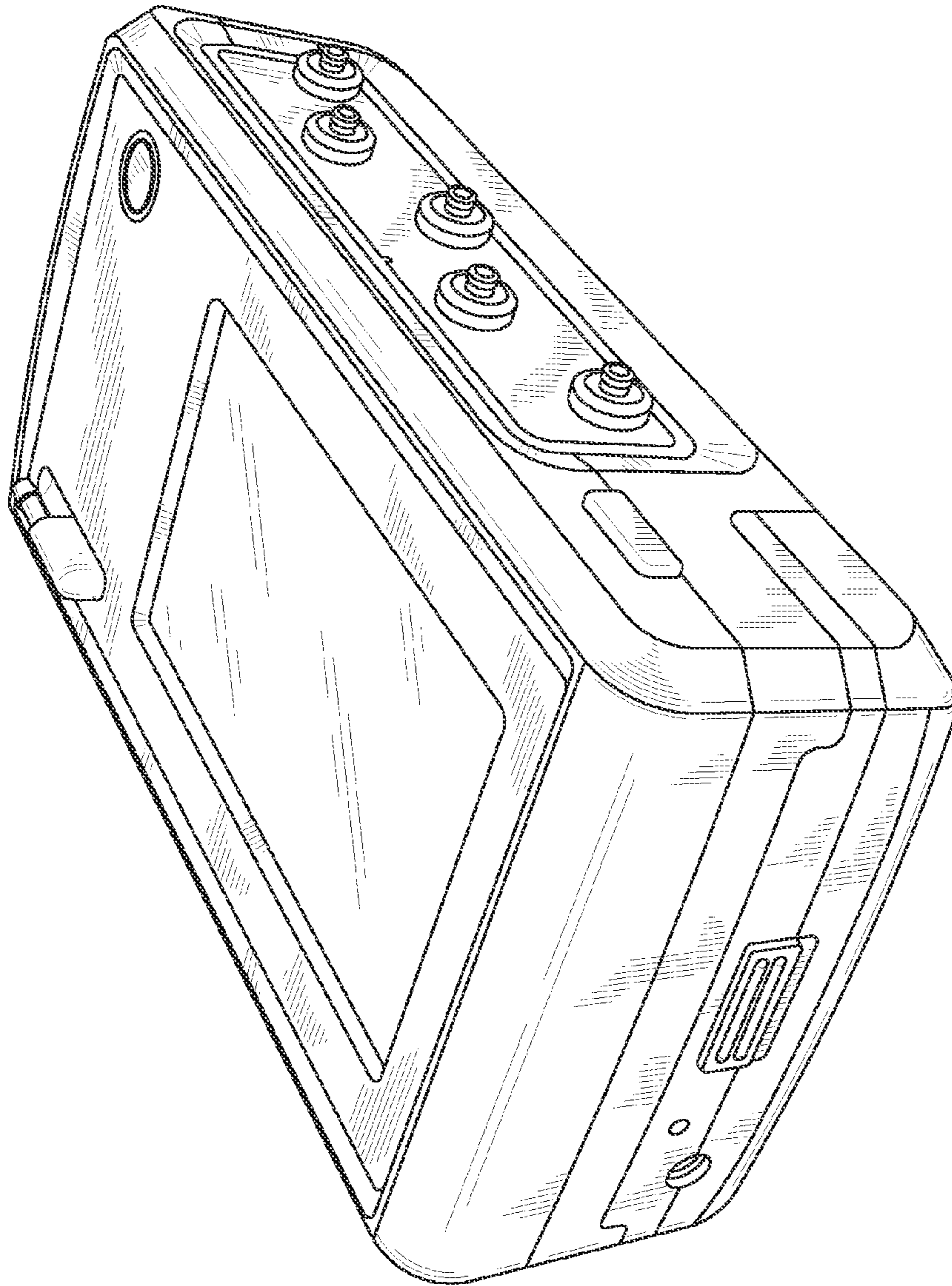


FIG. 19

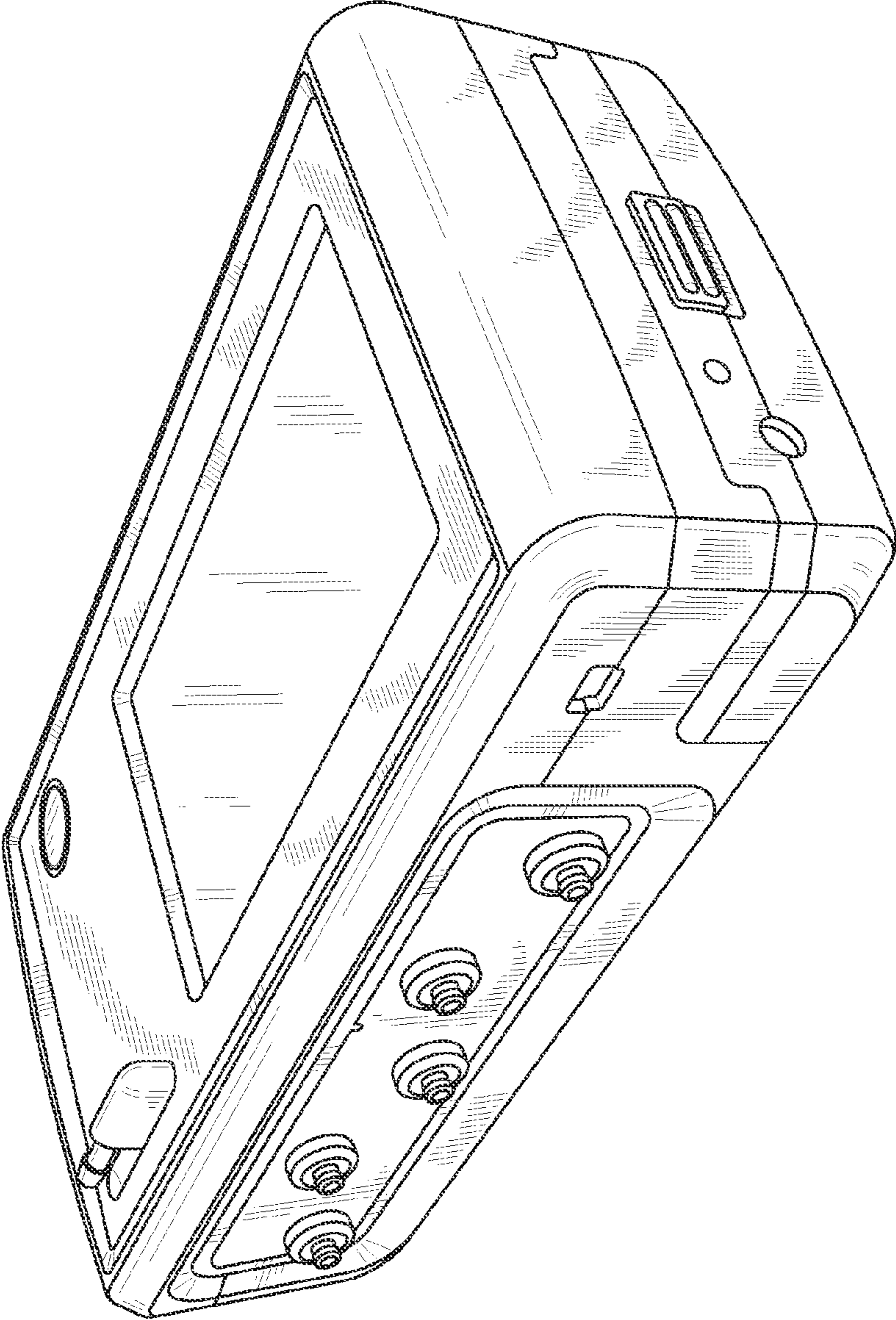


FIG. 20

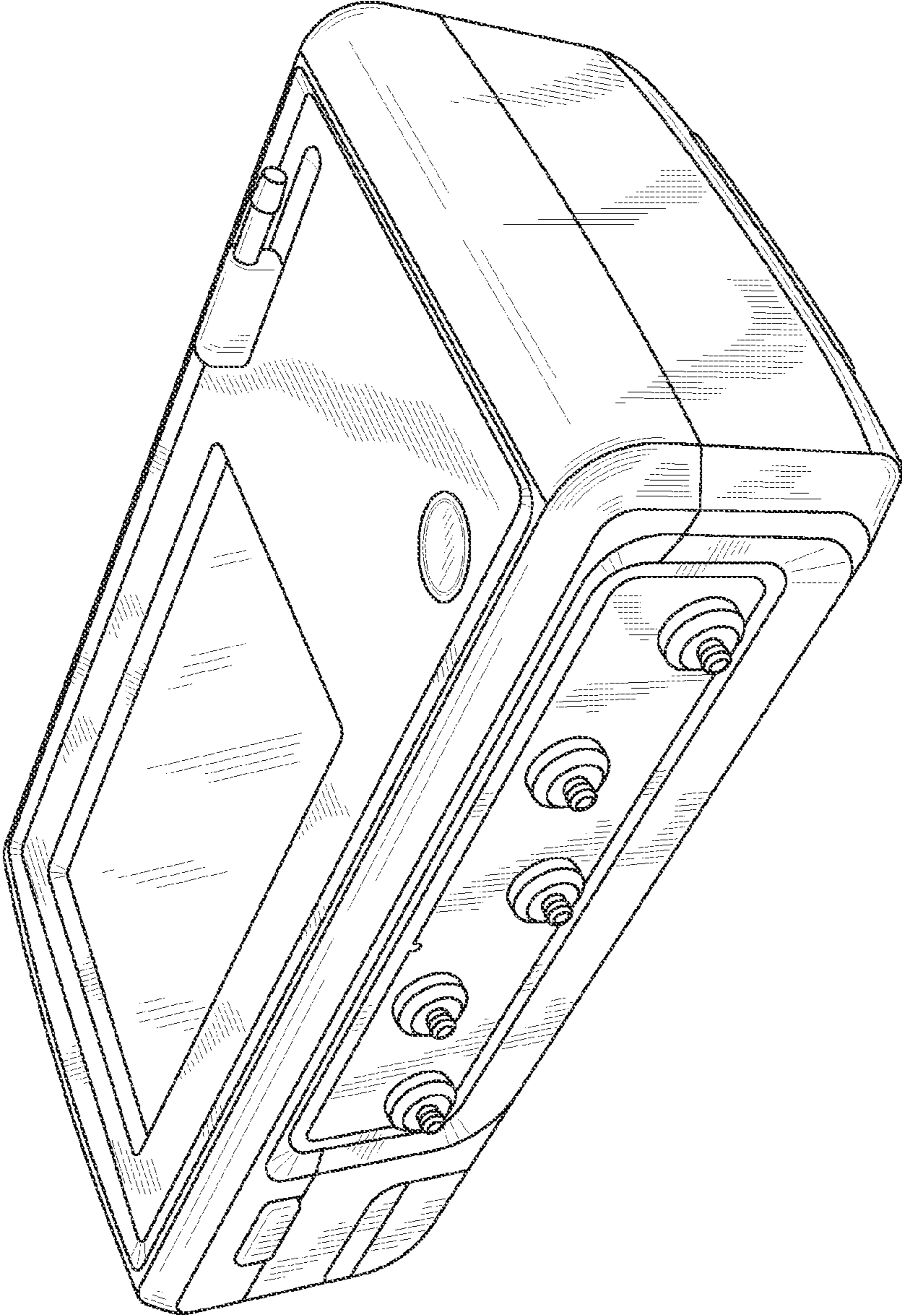


FIG. 21

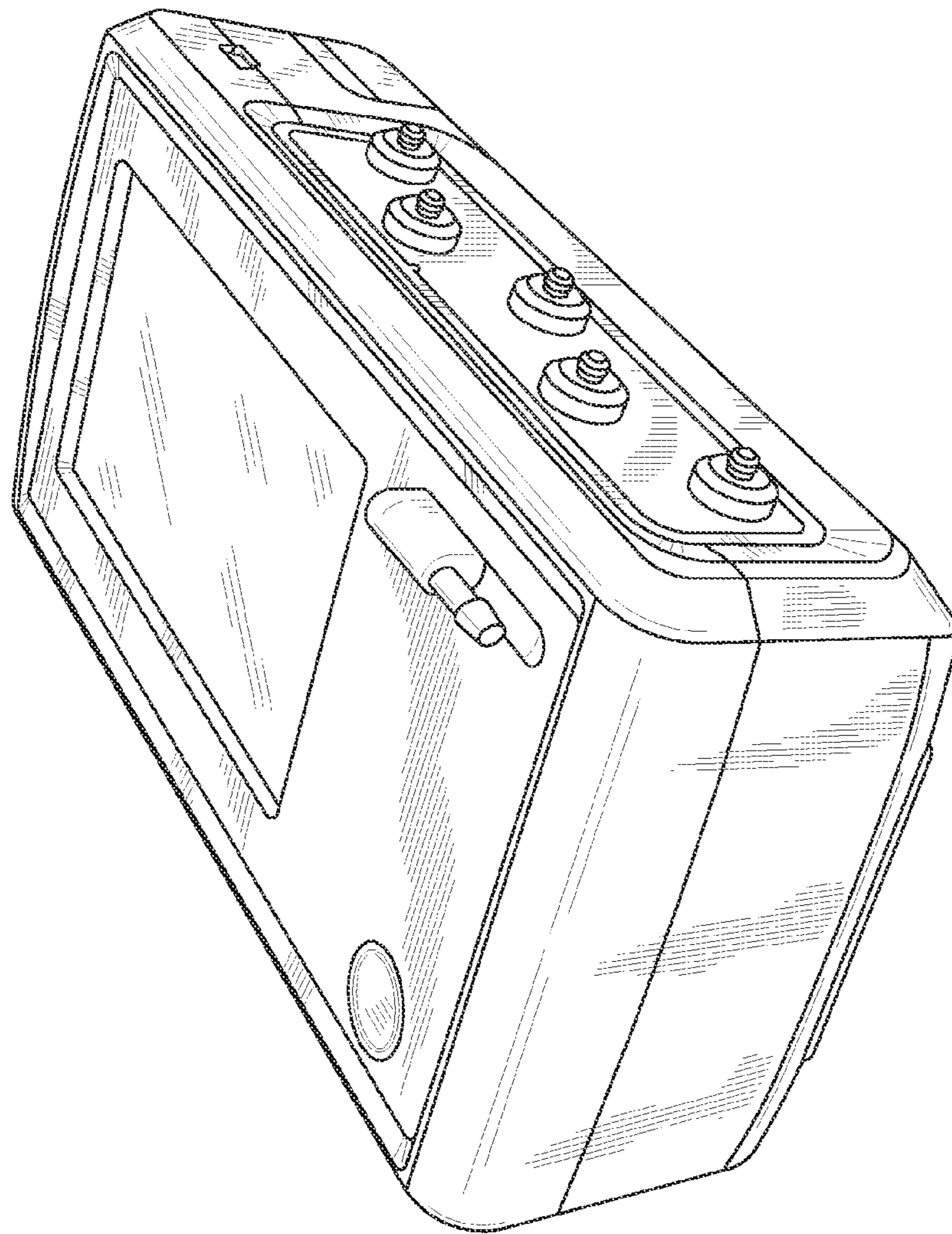


FIG. 22