



US00D698924S

(12) **United States Design Patent**  
**Pieroni et al.**

(10) **Patent No.:** **US D698,924 S**  
(45) **Date of Patent:** **\*\* Feb. 4, 2014**

(54) **DENTAL MATRIX BAND**

(71) Applicant: **DENTSPLY International Inc.**, York, PA (US)

(72) Inventors: **Robert J. Pieroni**, Milford, DE (US);  
**Nicholas Conte, Jr.**, Middletown, DE (US)

(73) Assignee: **DENTSPLY International Inc.**, York, PA (US)

(\*\*) Term: **14 Years**

(21) Appl. No.: **29/438,908**

(22) Filed: **Dec. 5, 2012**

(51) **LOC (10) Cl.** ..... **24-06**

(52) **U.S. Cl.**  
USPC ..... **D24/181**

(58) **Field of Classification Search**  
USPC ..... D24/155, 156, 107, 176, 180, 181, 182;  
433/173, 176, 49, 70, 168.1, 38, 39,  
433/40, 47; D8/387, 388; D29/108, 100;  
128/859, 861, 862; 72/68, 299, 316

See application file for complete search history.

(56) **References Cited**

U.S. PATENT DOCUMENTS

D253,191	S	*	10/1979	Stark et al.	.....	D24/181
5,425,635	A	*	6/1995	Croll	.....	433/39
5,788,487	A	*	8/1998	Meyer	.....	433/39
D595,414	S	*	6/2009	McDonald	.....	D24/181
D599,022	S	*	8/2009	McDonald	.....	D24/181
D605,298	S	*	12/2009	McDonald	.....	D24/181
2012/0129125	A1	*	5/2012	Ibrahim	.....	433/39

\* cited by examiner

*Primary Examiner* — Ian Simmons

*Assistant Examiner* — Charles Hanson

(74) *Attorney, Agent, or Firm* — Leana Levin; Douglas J. Hura; David A. Zdurne

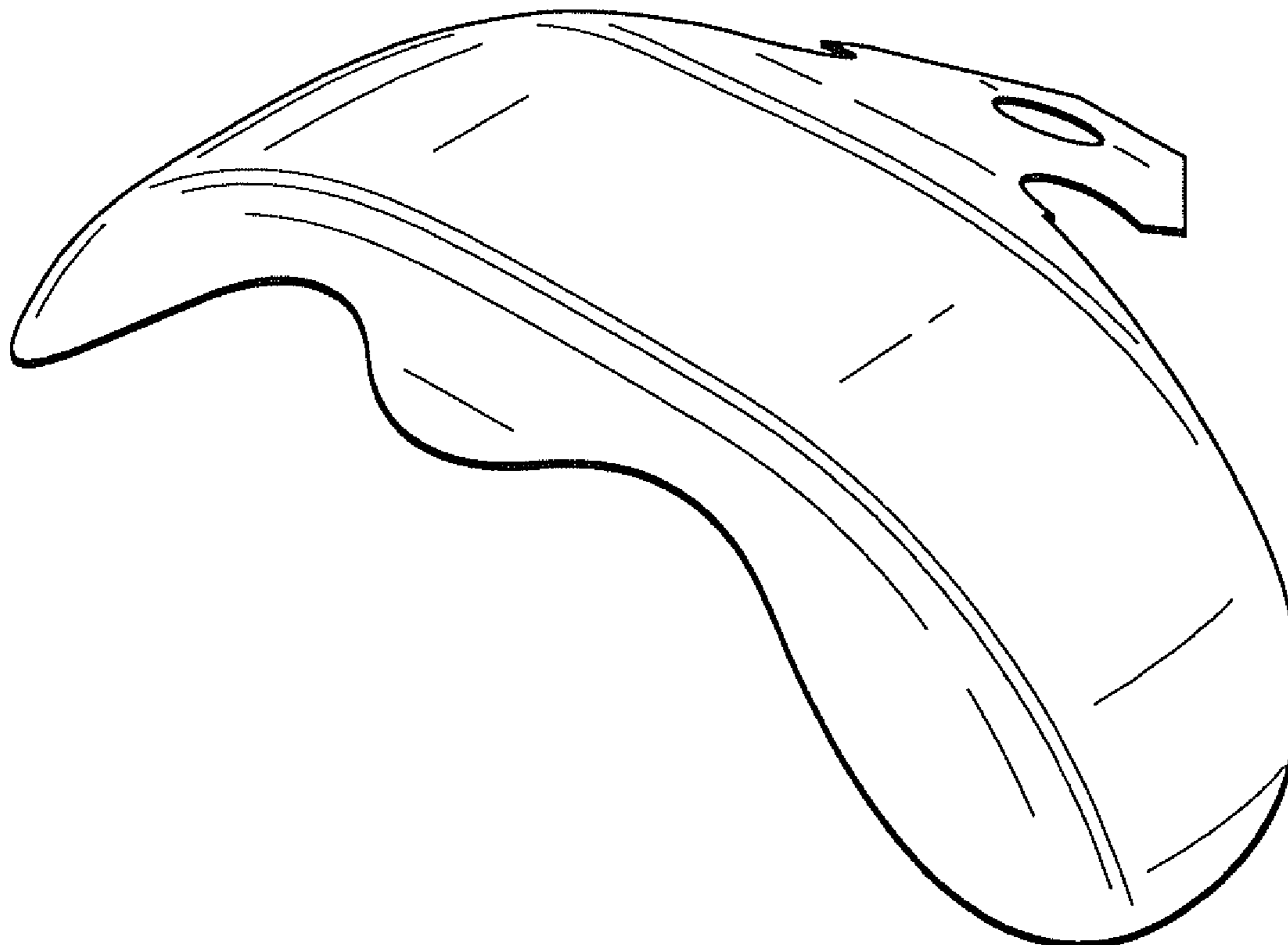
(57) **CLAIM**

The ornamental design for a dental matrix band, as shown and described.

**DESCRIPTION**

FIG. 1 is an isometric view of a dental matrix band showing our new design;  
FIG. 2 is a top perspective view thereof;  
FIG. 3 is a bottom perspective view thereof;  
FIG. 4 is a first side perspective view thereof;  
FIG. 5 is a second side perspective view thereof;  
FIG. 6 is a front perspective view thereof; and,  
FIG. 7 is a rear perspective view thereof.

**1 Claim, 4 Drawing Sheets**



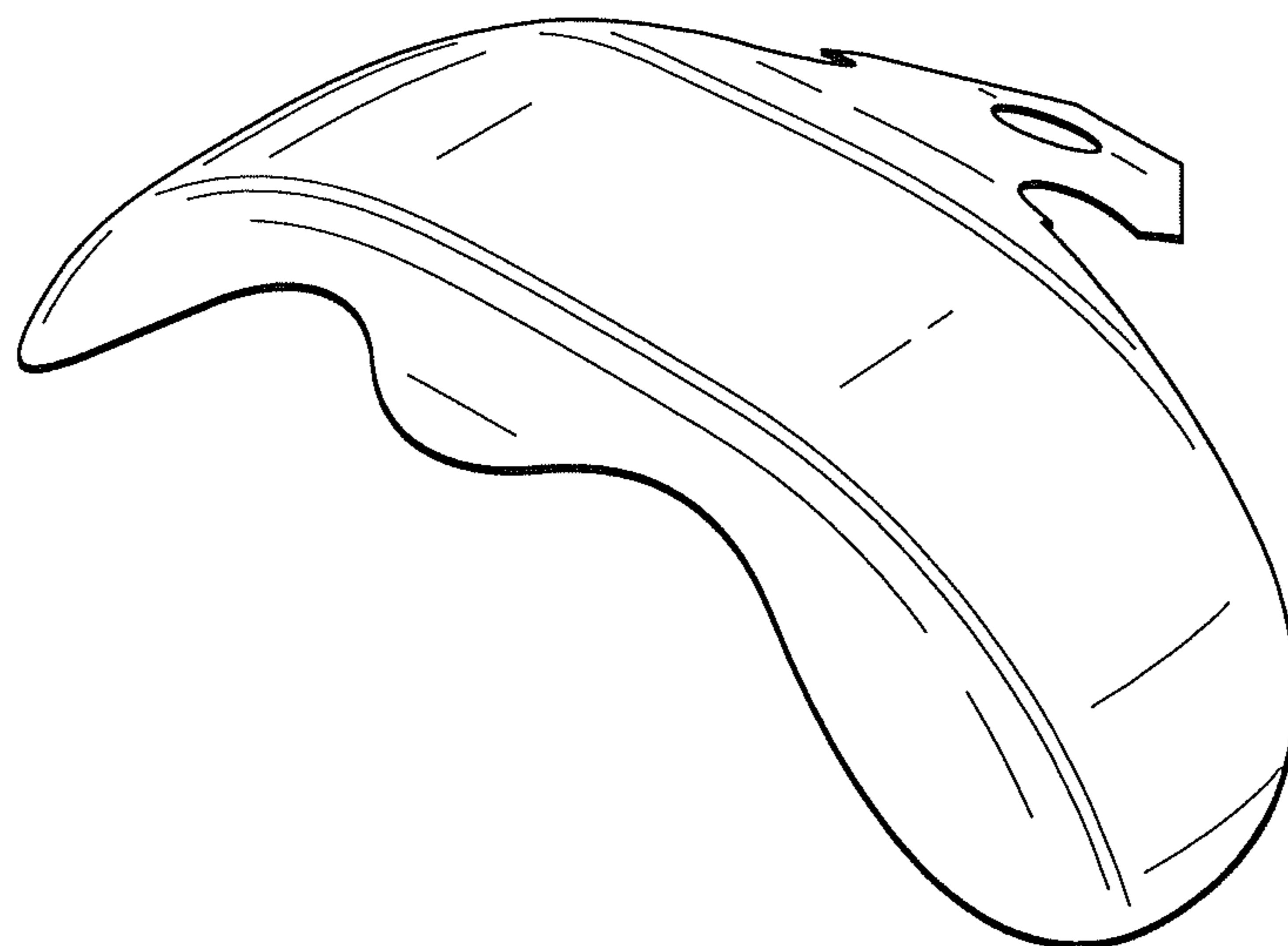


FIG. 1

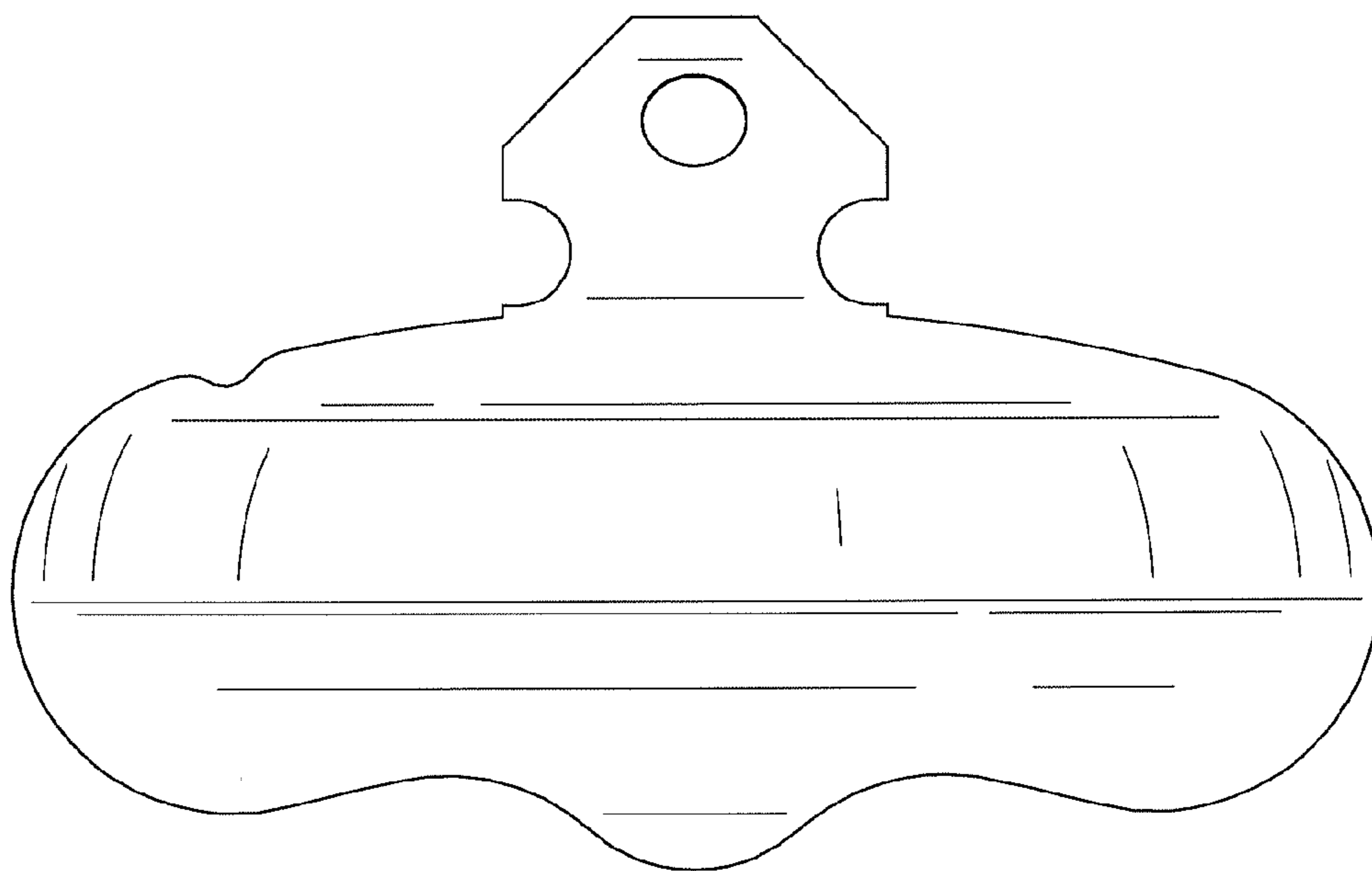


FIG. 2

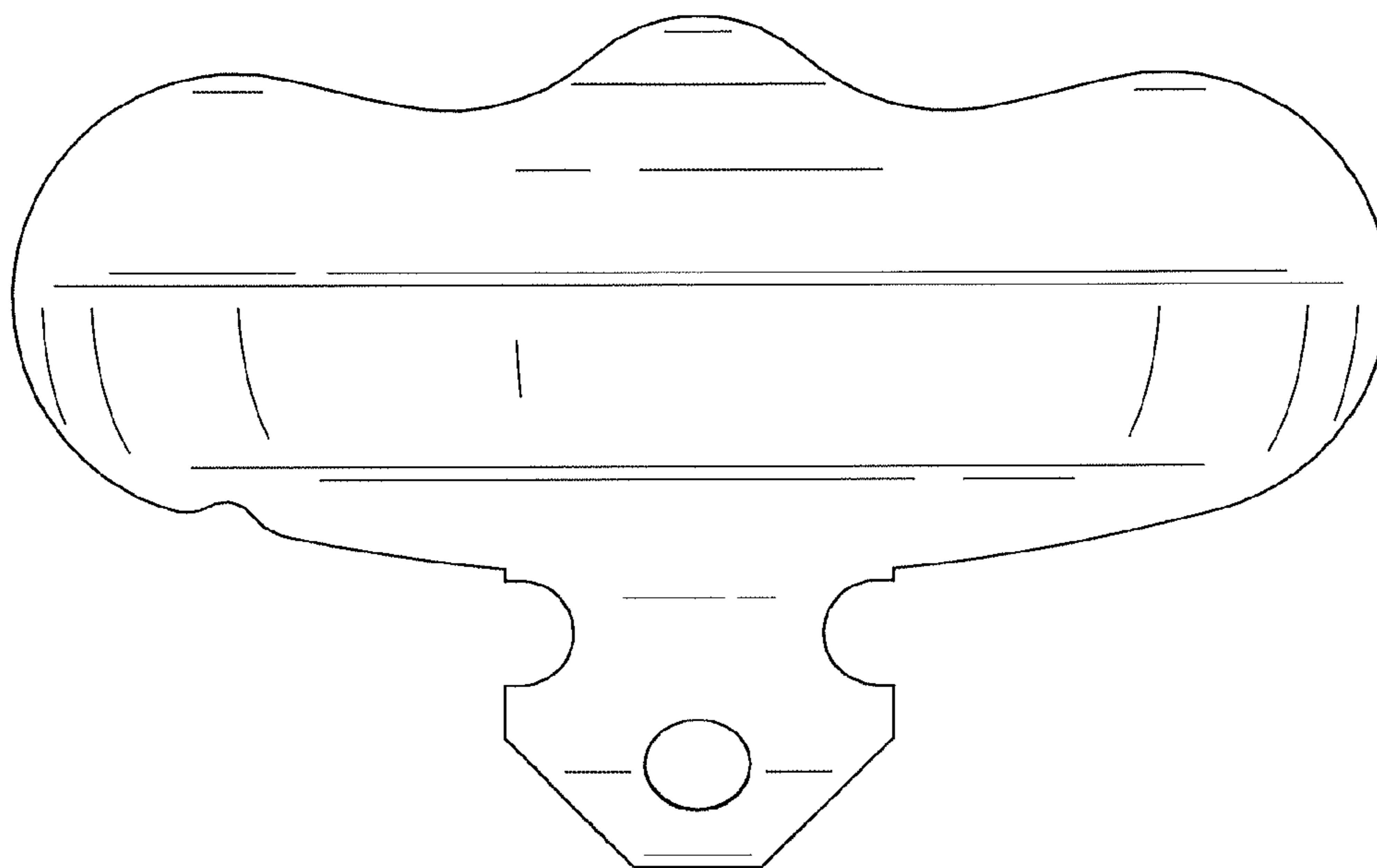


FIG. 3

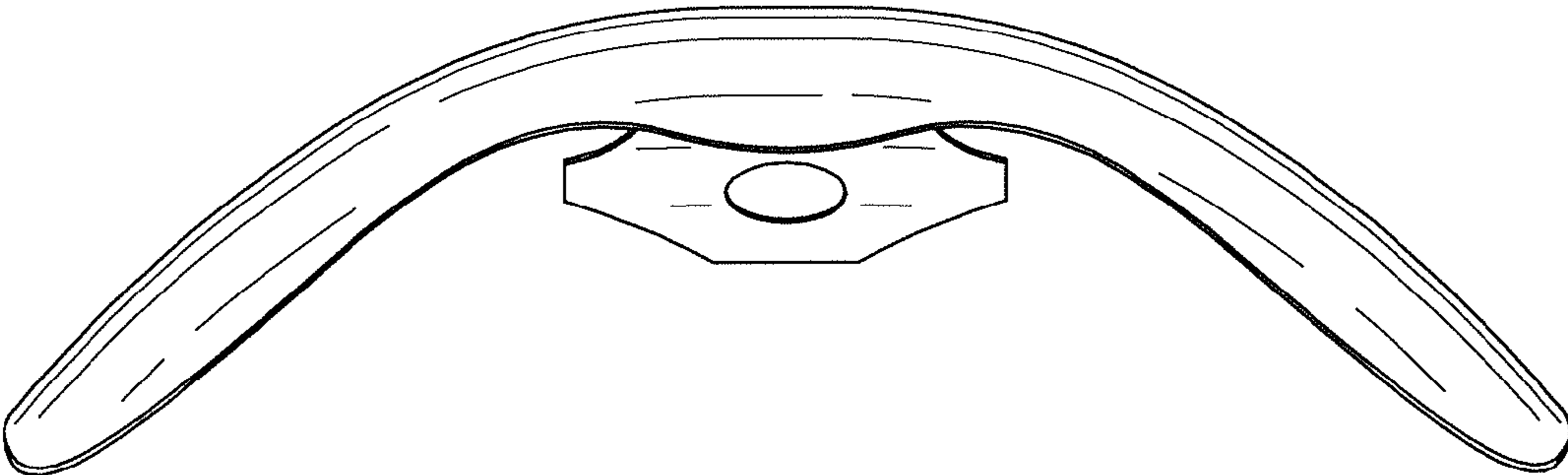


FIG. 4

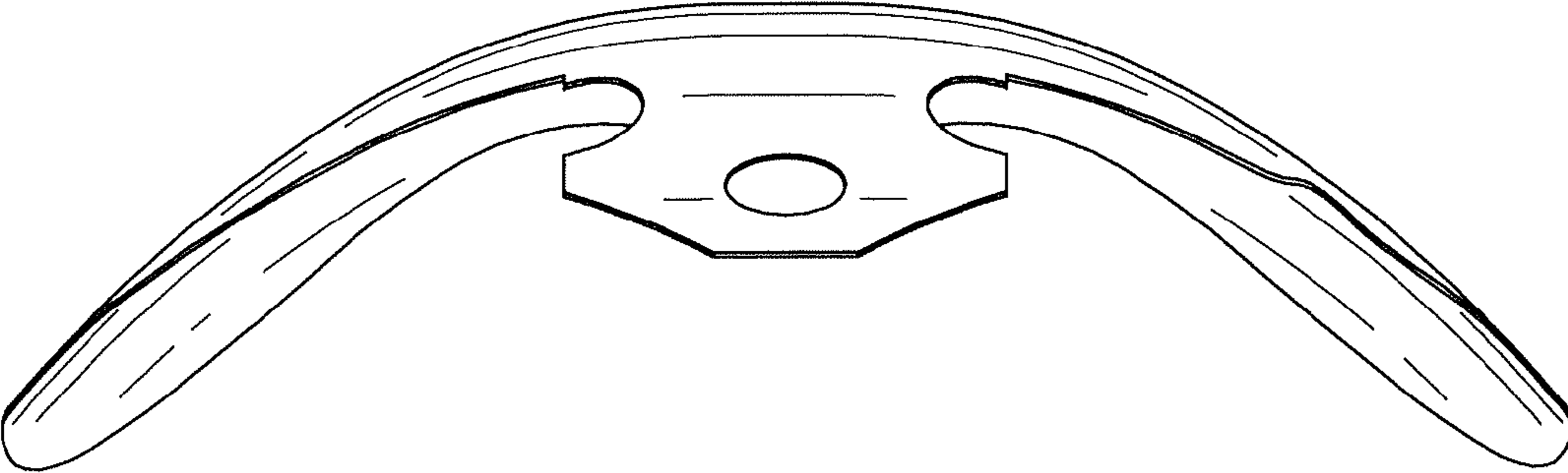


FIG. 5

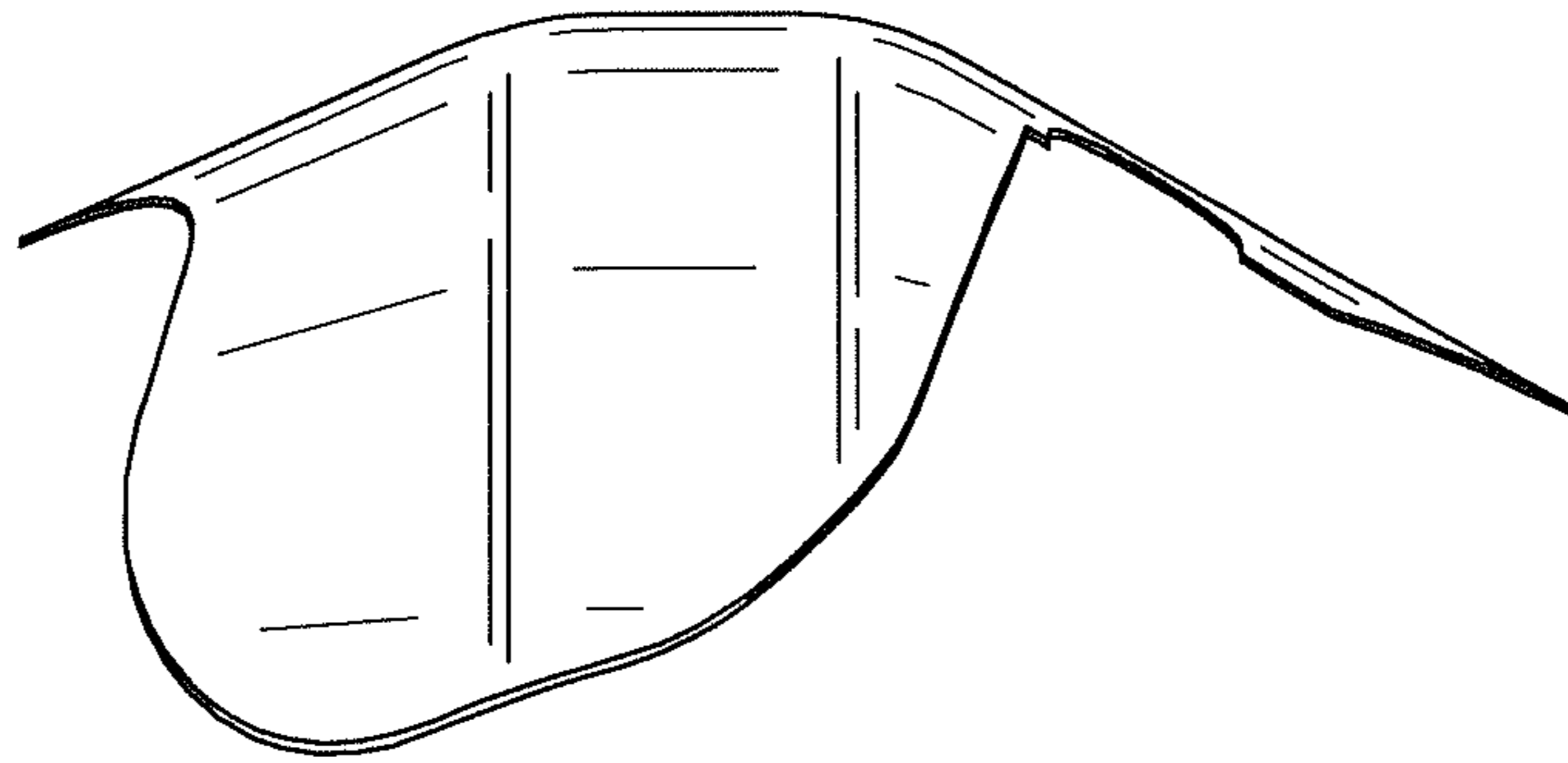


FIG. 6

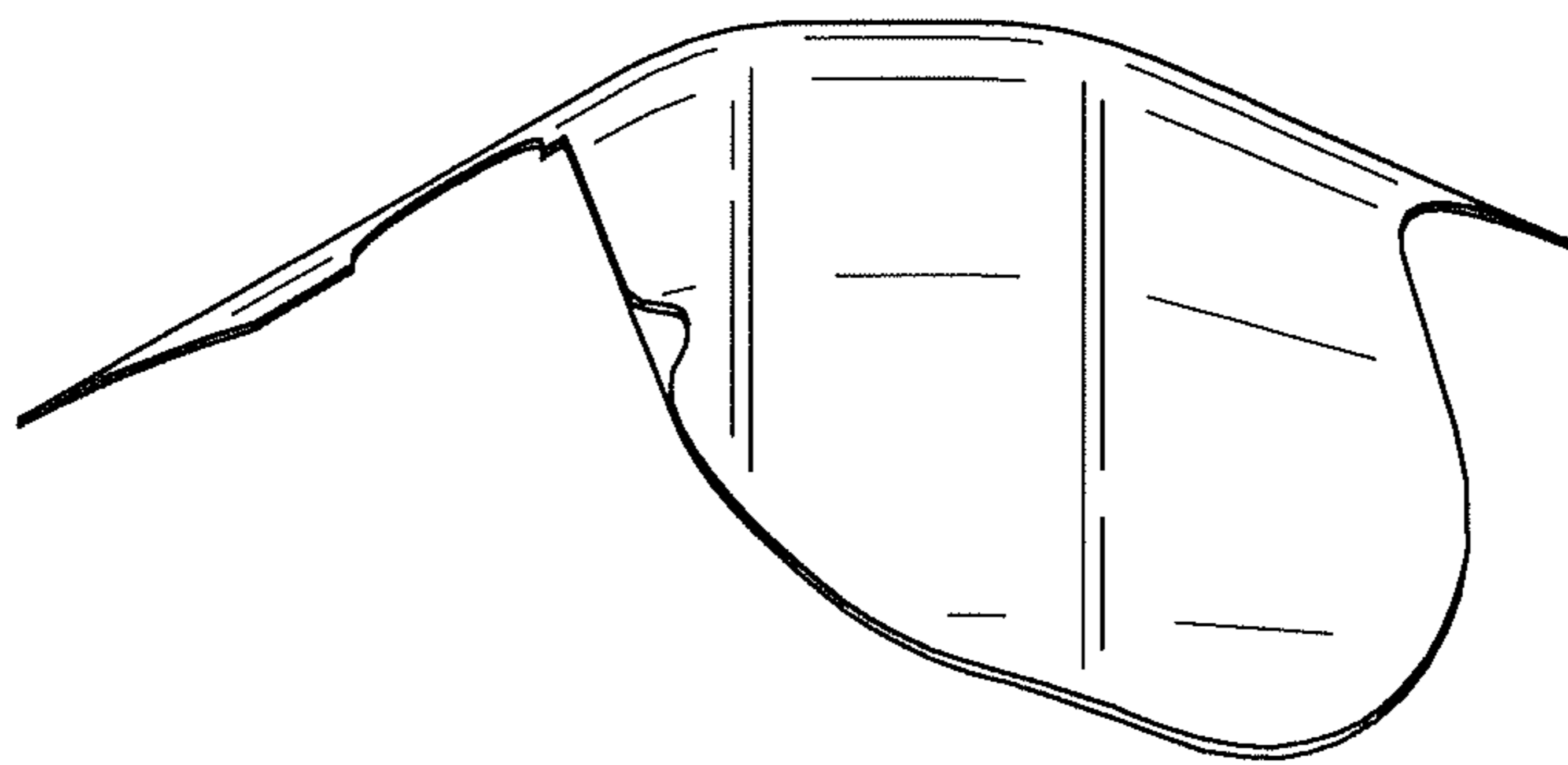


FIG. 7