



US00D698921S

(12) **United States Design Patent**
Koennecke et al.

(10) **Patent No.:** **US D698,921 S**

(45) **Date of Patent:** **** Feb. 4, 2014**

(54) **HANDLE FOR MEDICAL DEVICE**

(75) Inventors: **Christoph Koennecke**, Frankfurt (DE);
Gereon Kindler, Schaffhausen (CH);
Florian Munz, Fischbach (DE)

(73) Assignee: **Karl Storz GmbH & Co. KG**,
Tuttlingen (DE)

(**) Term: **14 Years**

(21) Appl. No.: **29/426,105**

(22) Filed: **Jun. 29, 2012**

(30) **Foreign Application Priority Data**

Dec. 29, 2011 (EM) 001969718-0014

(51) **LOC (10) Cl.** **24-02**

(52) **U.S. Cl.**
USPC **D24/138**

(58) **Field of Classification Search**
USPC D24/138, 137, 133, 135, 140;
600/101-183
See application file for complete search history.

(56) **References Cited**

U.S. PATENT DOCUMENTS

6,340,344	B1 *	1/2002	Christopher	600/156
D481,124	S *	10/2003	Hayamizu	D24/138
D486,910	S *	2/2004	Hayamizu et al.	D24/138
D493,529	S *	7/2004	Hayamizu et al.	D24/138
D498,846	S *	11/2004	Hayamizu et al.	D24/138
D598,543	S *	8/2009	Vogel et al.	D24/133
D638,937	S *	5/2011	Tanaka	D24/138
D641,470	S *	7/2011	Hayamizu	D24/138

D668,762	S *	10/2012	Makowski et al.	D24/138
D669,174	S *	10/2012	Makowski et al.	D24/138
D669,175	S *	10/2012	Makowski et al.	D24/138
2011/0060184	A1 *	3/2011	Rothberg et al.	600/104

* cited by examiner

Primary Examiner — Bridget L Eland

(74) *Attorney, Agent, or Firm* — Muncy, Geissler, Olds & Lowe, PLLC

(57) **CLAIM**

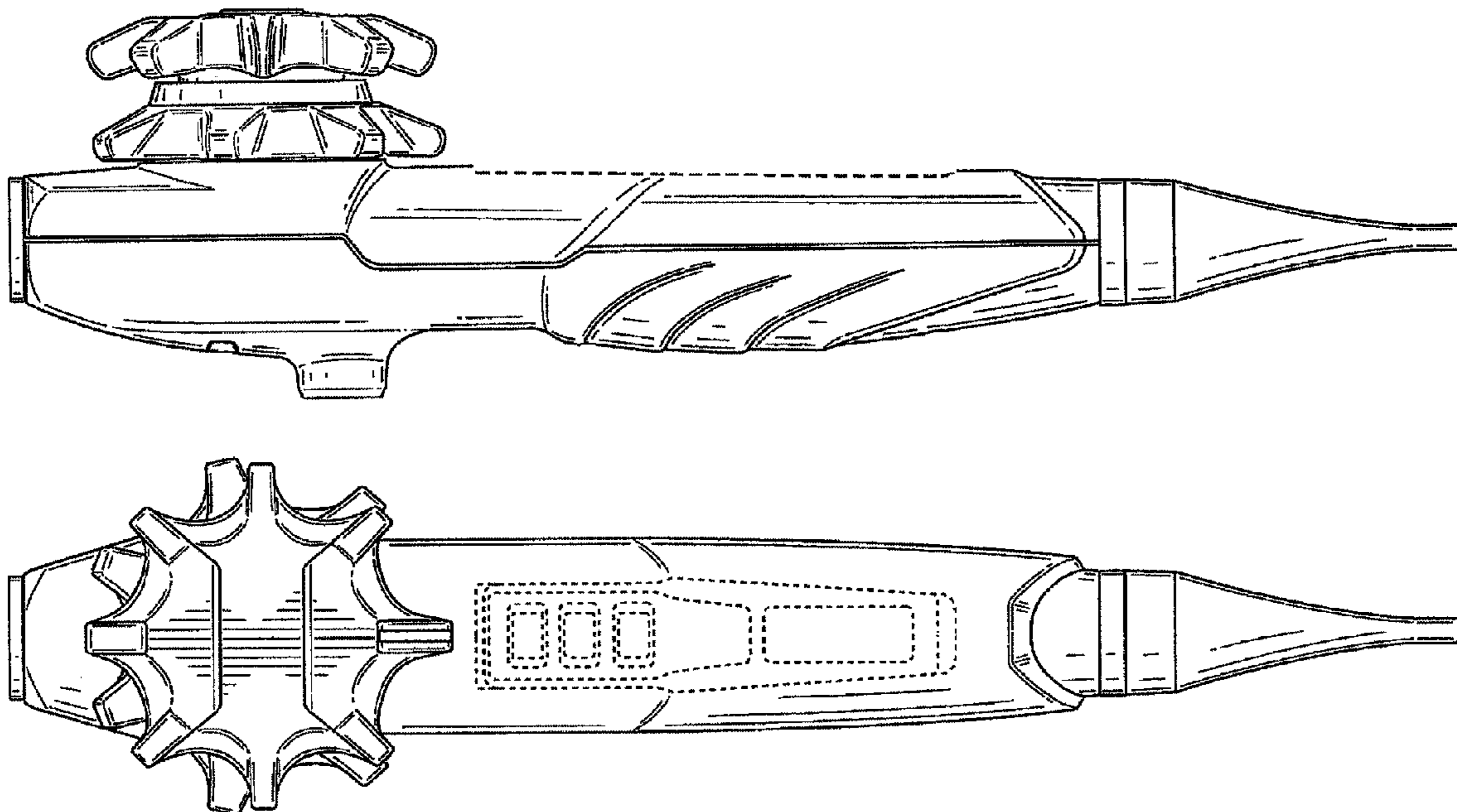
The ornamental design for a handle for medical device, as shown and described.

DESCRIPTION

FIG. 1 is a left side elevational view of a handle for medical device according to the present invention;
 FIG. 2 is a right side elevational view of the handle for medical device of FIG. 1;
 FIG. 3 is a front elevational view of the handle for medical device of FIG. 1;
 FIG. 4 is a rear elevational view of the handle for medical device of FIG. 1;
 FIG. 5 is a top plan view of the handle for medical device of FIG. 1;
 FIG. 6 is a bottom plan view of the handle for medical device of FIG. 1; and,
 FIG. 7 is a perspective view of the handle for medical device of FIG. 1.

The broken lines immediately adjacent the claimed areas represent the bounds of the claimed design while all other broken lines are directed to environment and are for illustrative purposes only; the broken lines form no part of the claimed design.

1 Claim, 6 Drawing Sheets



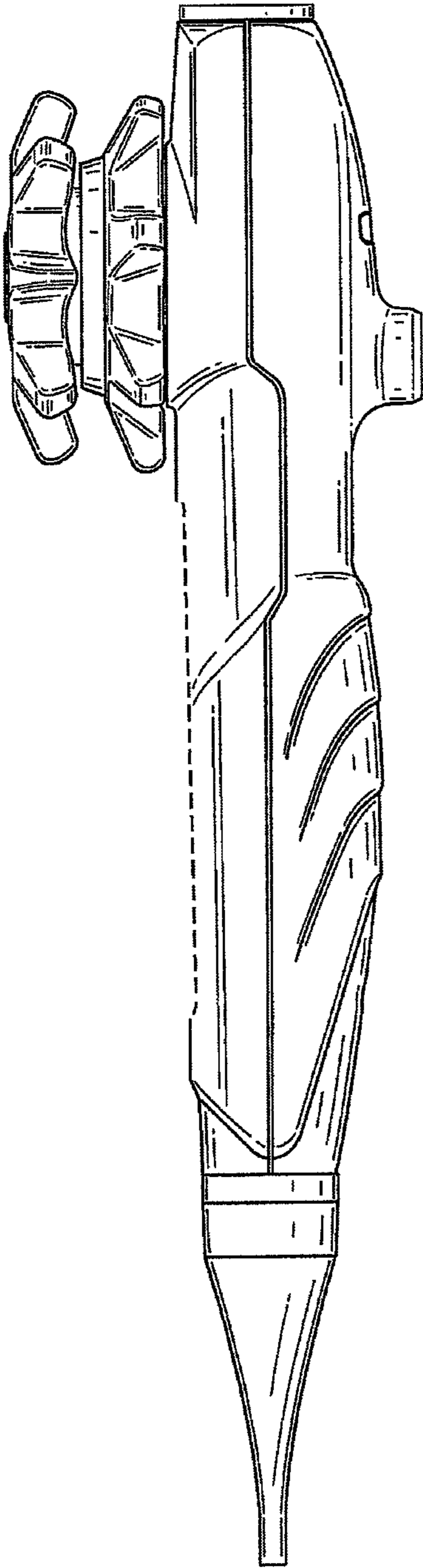


FIG.1

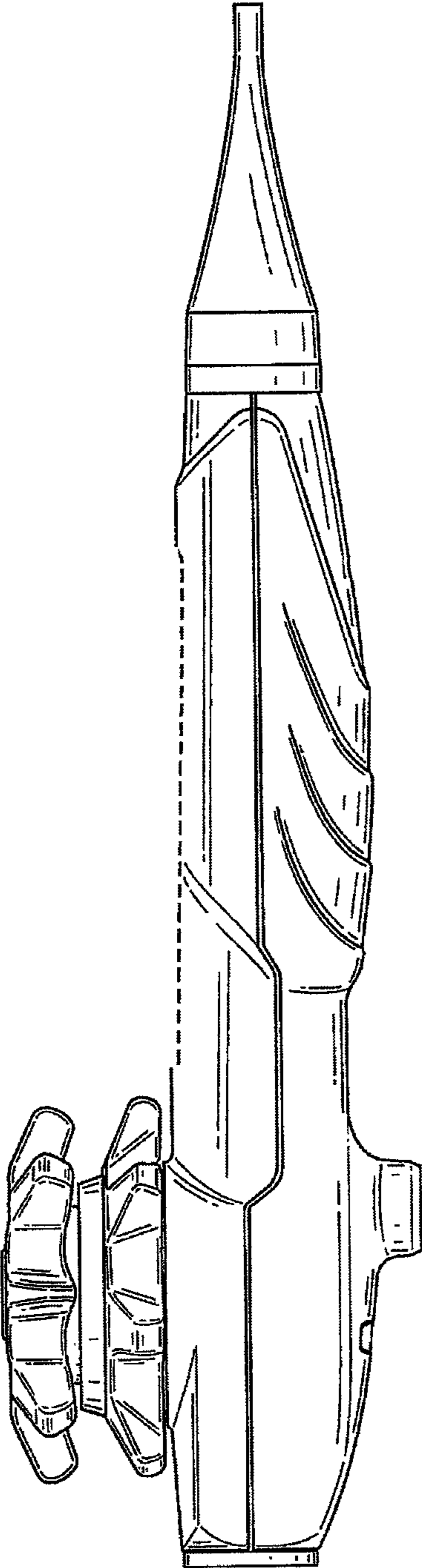


FIG. 2

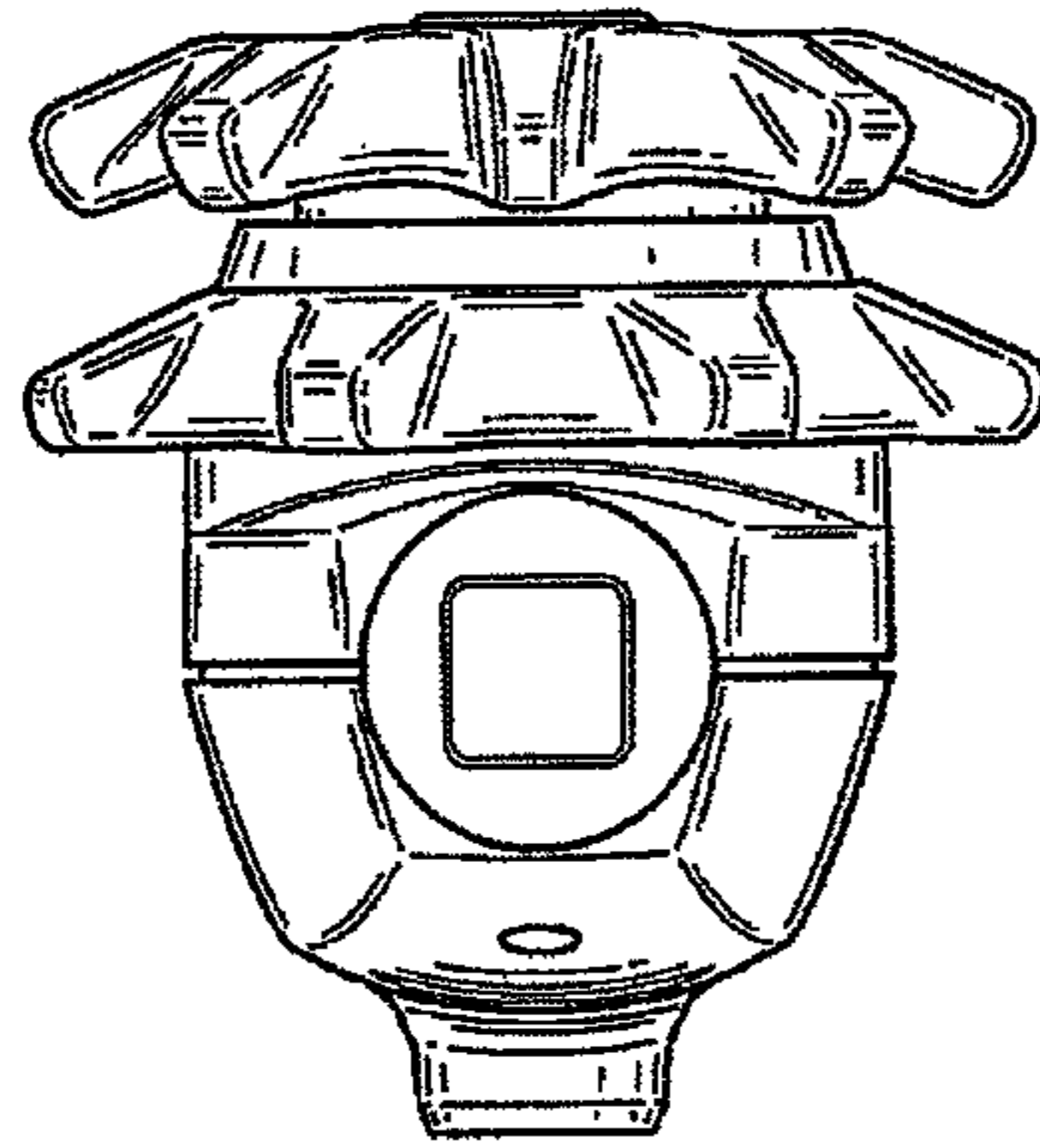


FIG.3

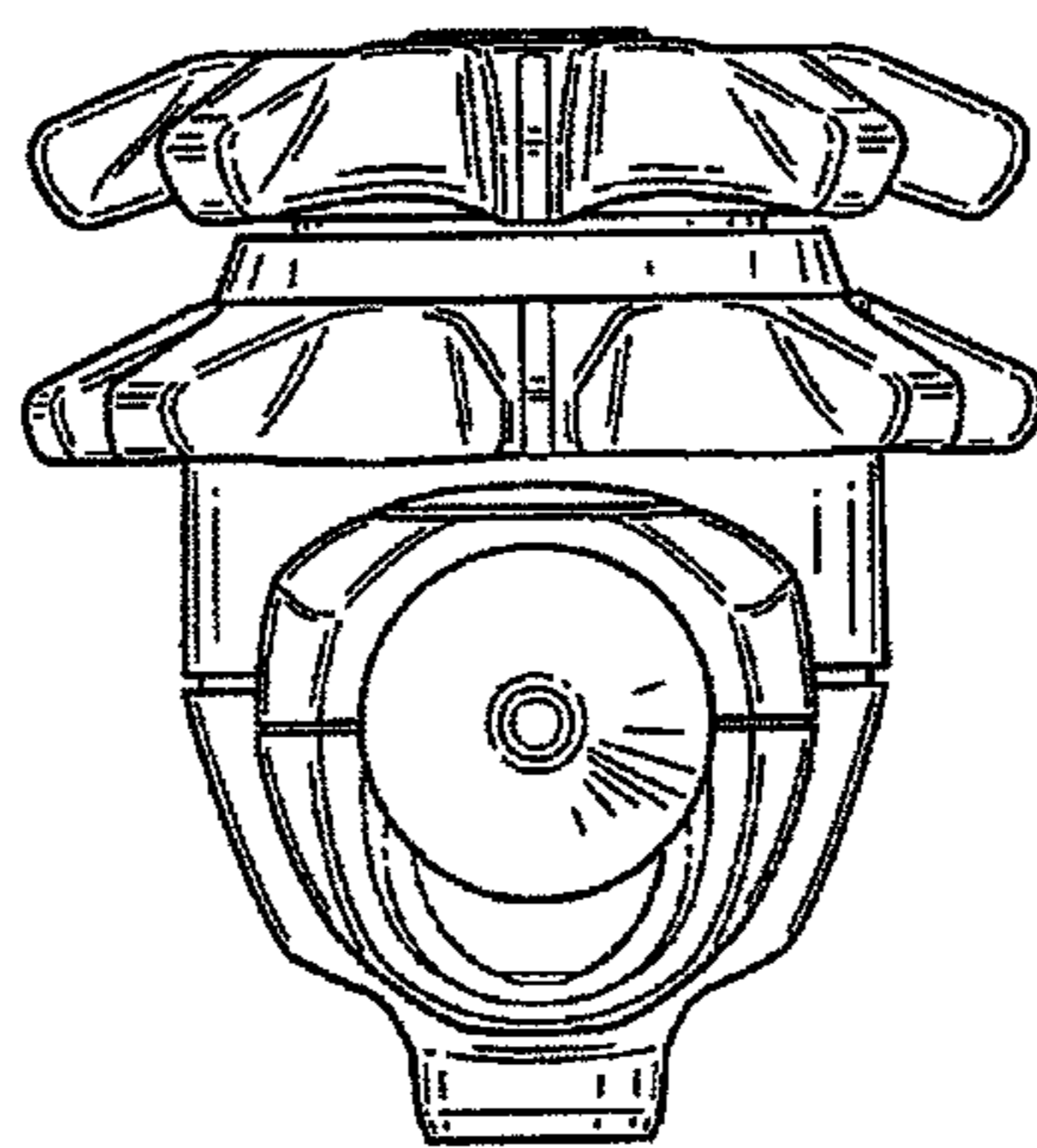


FIG.4

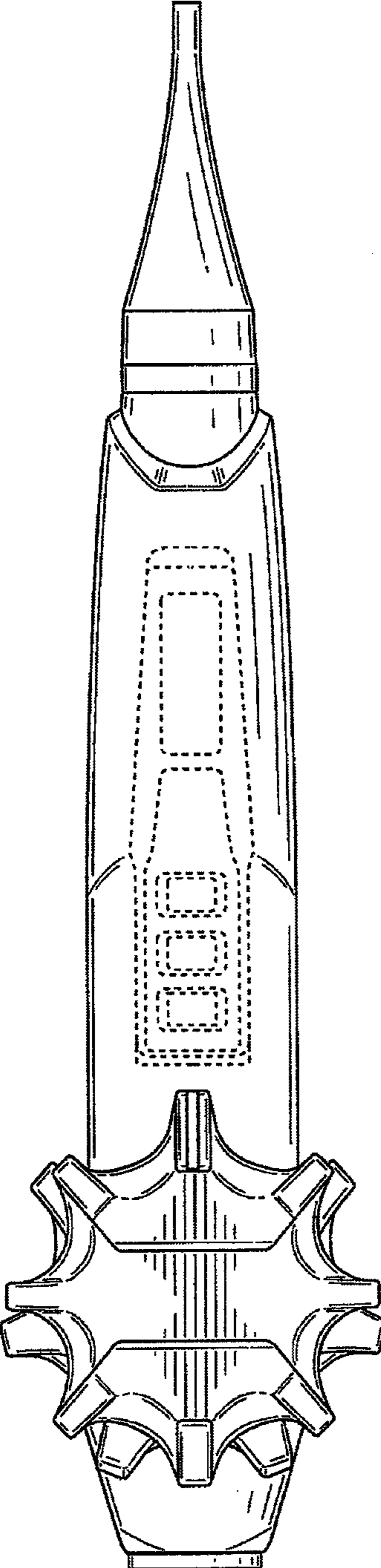


FIG.5

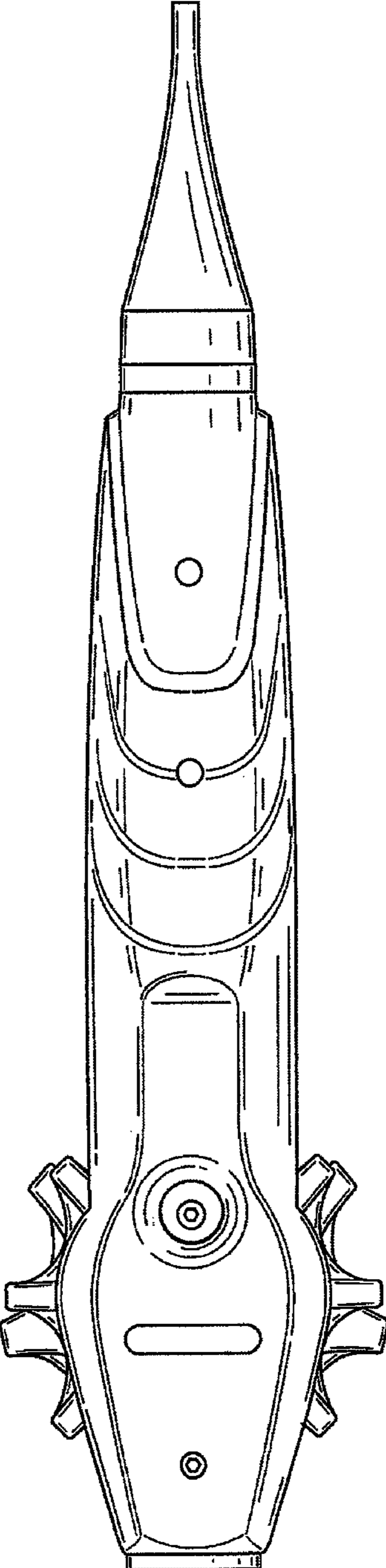


FIG.6

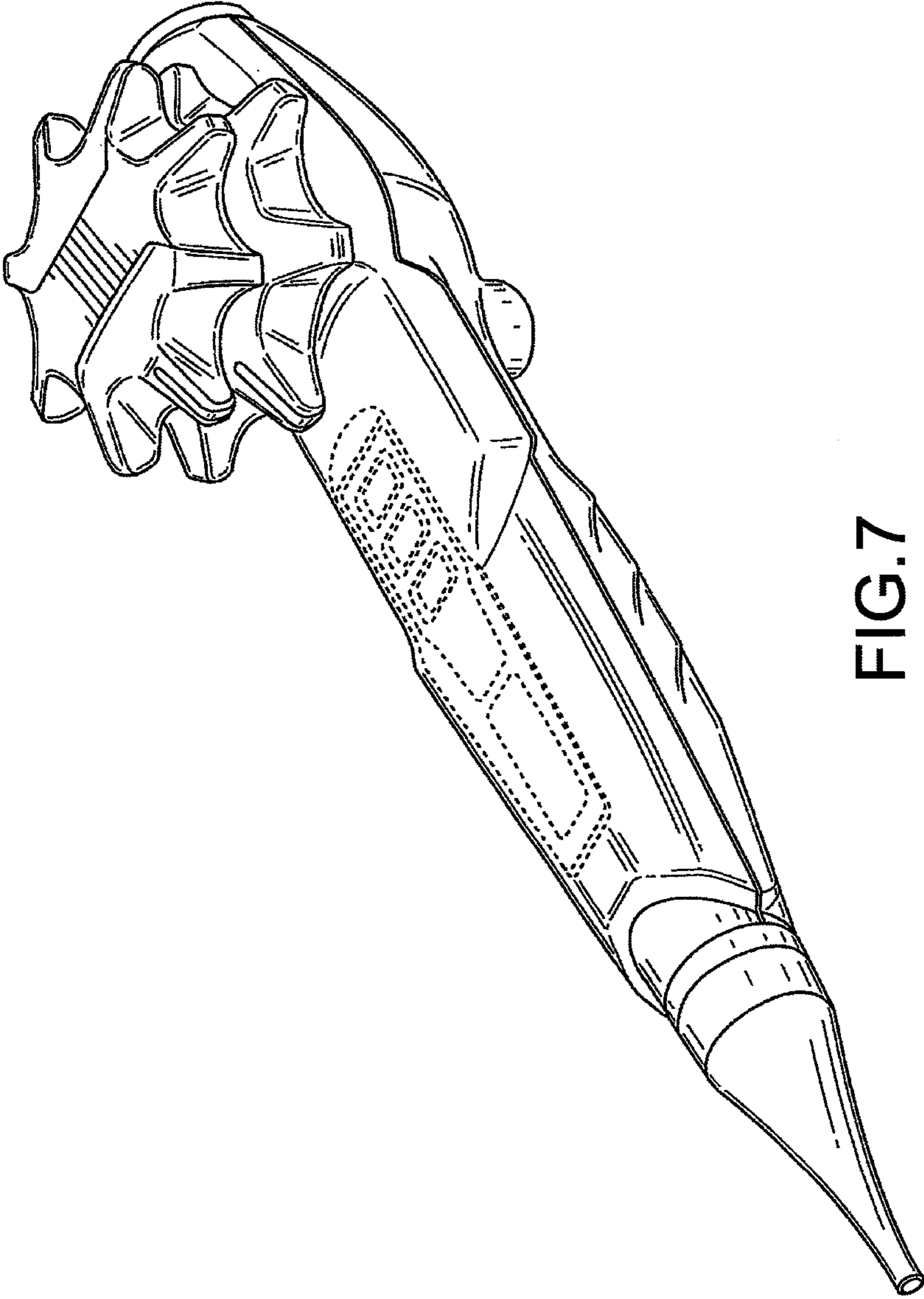


FIG. 7