

US00D698919S

(12) **United States Design Patent**
Schwarz et al.

(10) **Patent No.:** **US D698,919 S**

(45) **Date of Patent:** **** Feb. 4, 2014**

(54) **INSERTION TOOL**

(71) Applicant: **Endo Pharmaceuticals Solutions Inc.**,
Chadds Ford, PA (US)

(72) Inventors: **Alexander Schwarz**, Brookline, MA
(US); **Richard Caizza**, Vernon, NJ (US)

(73) Assignee: **Endo Pharmaceuticals Solutions Inc.**,
Malvern, PA (US)

(**) Term: **14 Years**

(21) Appl. No.: **29/435,449**

(22) Filed: **Oct. 24, 2012**

(51) **LOC (10) Cl.** **24-02**

(52) **U.S. Cl.**
USPC **D24/130**

(58) **Field of Classification Search**
USPC D24/127–131, 112–114, 133, 186;
606/181, 185, 99, 914; 604/264, 272,
604/115, 232, 187, 158, 164.08, 192, 263,
604/163, 181, 184, 198, 227; 600/101, 139,
600/143; 128/200.24, 207.14, 207.15
See application file for complete search history.

(56) **References Cited**

U.S. PATENT DOCUMENTS

D255,934	S	*	7/1980	Chittenden	D24/112
5,363,861	A	*	11/1994	Edwards et al.	600/585
7,452,354	B2	*	11/2008	Bright et al.	604/533
7,604,647	B2	*	10/2009	Chen	606/166
D623,740	S	*	9/2010	Harris et al.	D24/133

D632,783	S	*	2/2011	Maesarapu	D24/129
D654,999	S	*	2/2012	Barrett et al.	D24/129
8,348,928	B2	*	1/2013	Guala	604/537
8,381,721	B2	*	2/2013	Thoe et al.	128/203.21
8,382,767	B2	*	2/2013	Wassinger et al.	606/99
D678,512	S	*	3/2013	Bow	D24/112
2009/0102192	A1	*	4/2009	Ziman	285/401

OTHER PUBLICATIONS

“Highlights of Supprelin Prescription Information”, Endo Pharmaceuticals (2012) PK000033 Rev. 07, 20 pgs.

“Highlights of Vantas Prescription Information”, Endo Pharmaceuticals (2012) PK000003 Rev. May 10, 2012, 22 pgs.

* cited by examiner

Primary Examiner — David Muller

(74) *Attorney, Agent, or Firm* — RatnerPrestia

(57) **CLAIM**

The ornamental design for an insertion tool, as shown and described.

DESCRIPTION

FIG. 1 is a perspective view of our insertion tool in accordance with our new design;

FIG. 2 is a front view thereof;

FIG. 3 is a rear view thereof;

FIG. 4 is a right side view thereof;

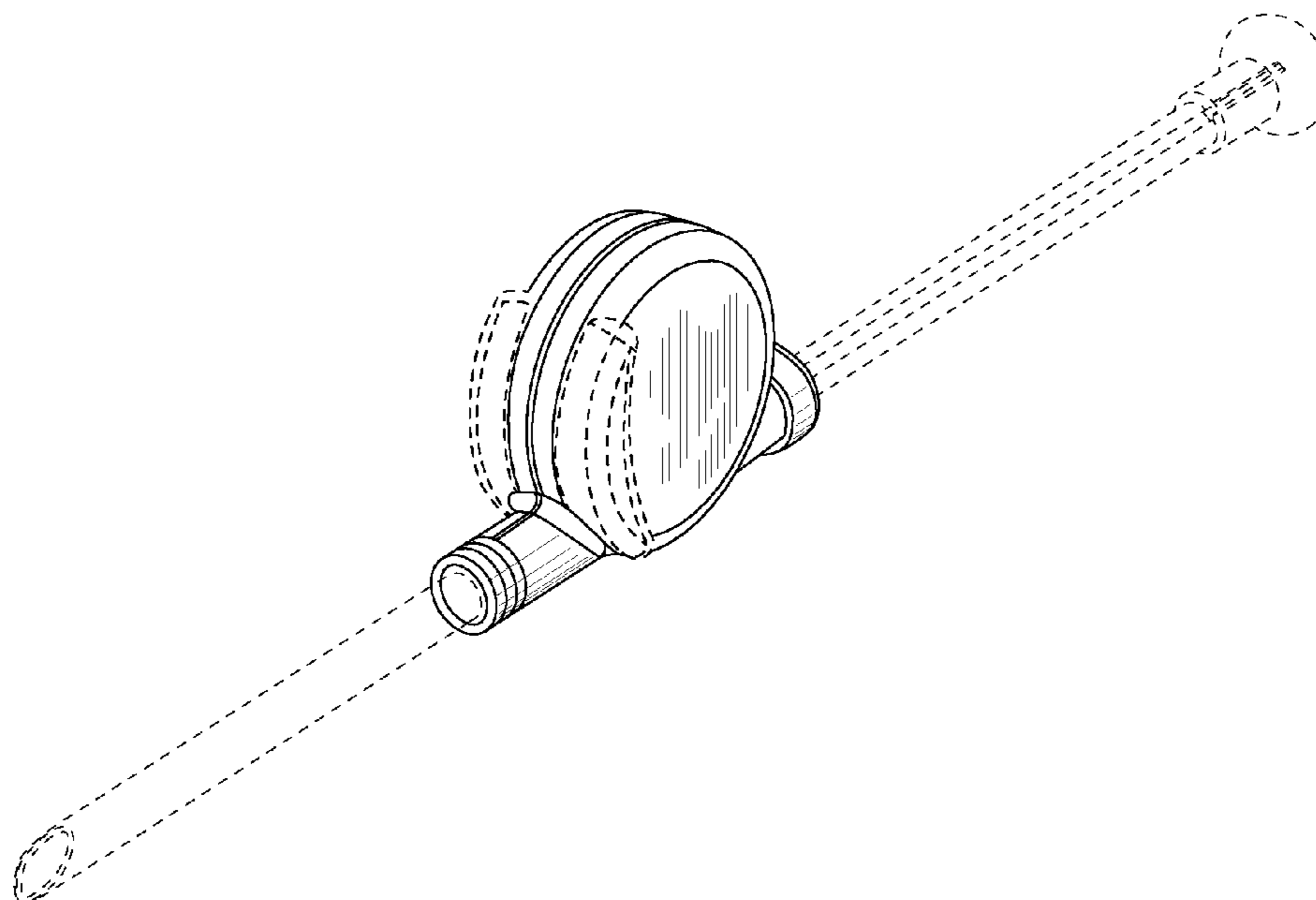
FIG. 5 is a left side view thereof;

FIG. 6 is a top view thereof; and,

FIG. 7 is a bottom view thereof.

The features shown in broken lines depict environmental subject matter only and form no part of the claimed design.

1 Claim, 3 Drawing Sheets



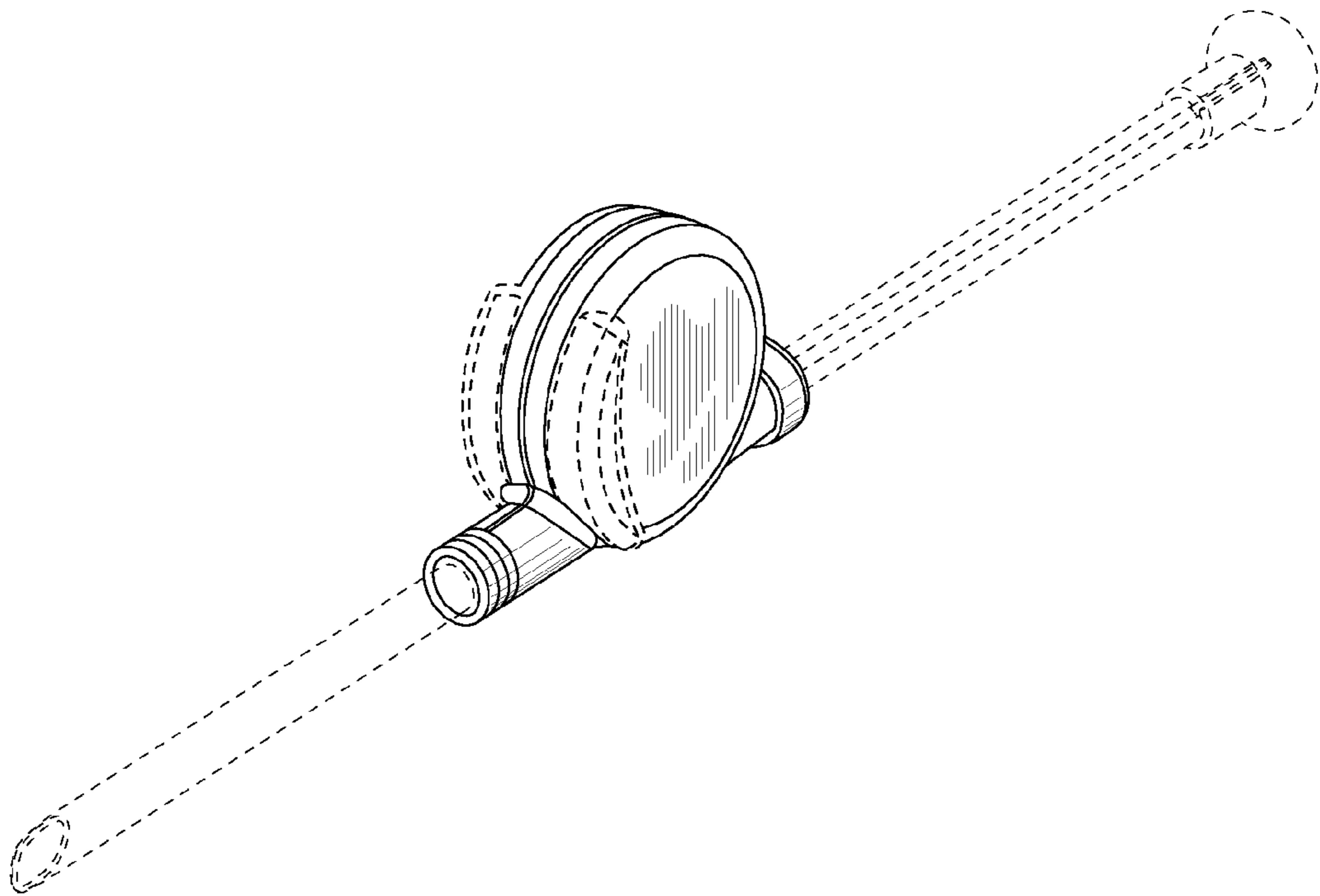


FIG. 1

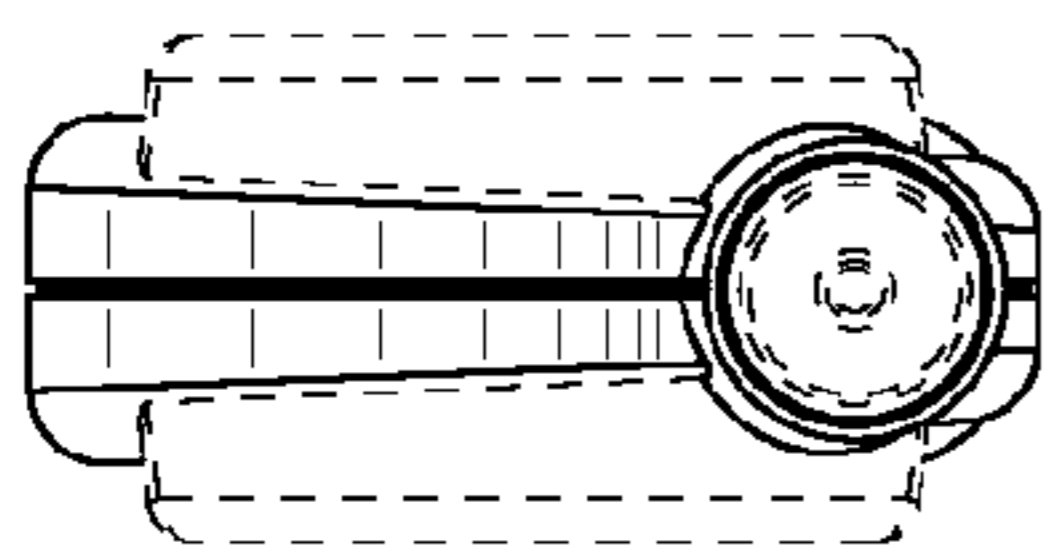


FIG. 2

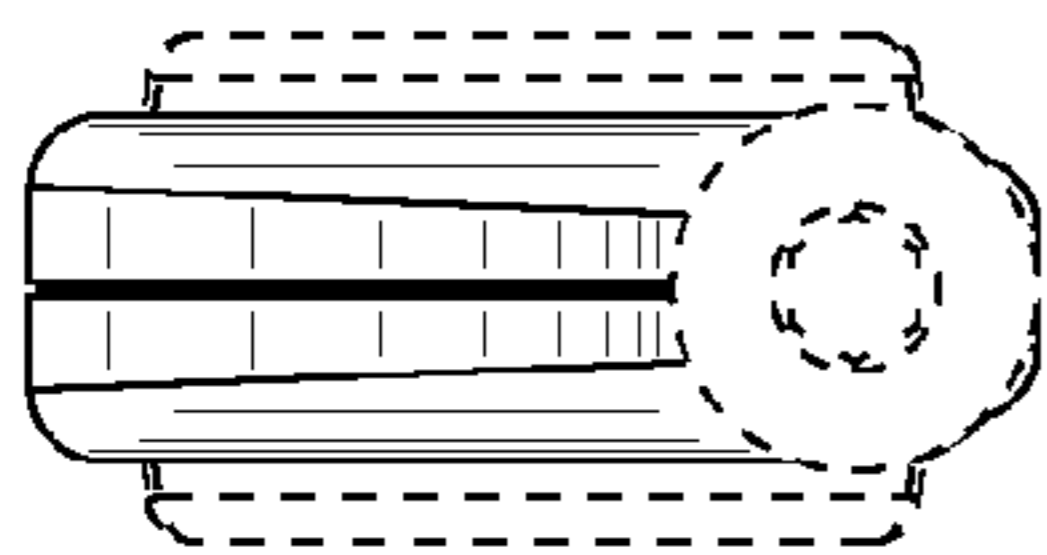


FIG. 3

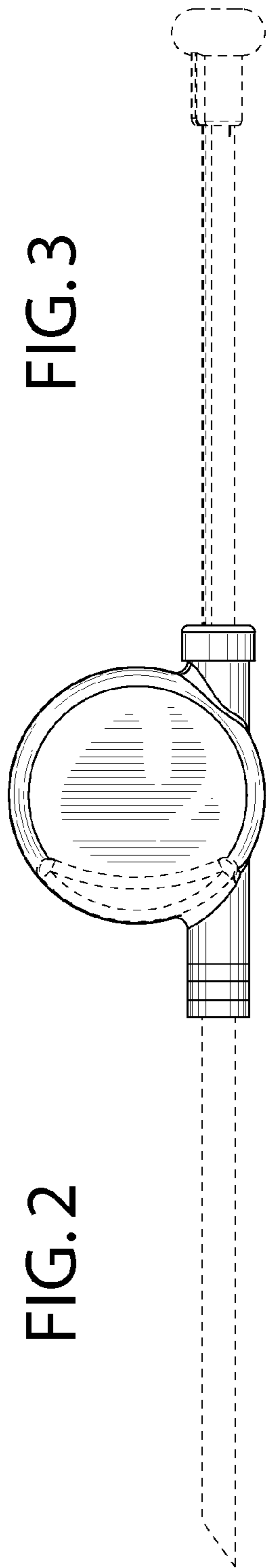


FIG. 4

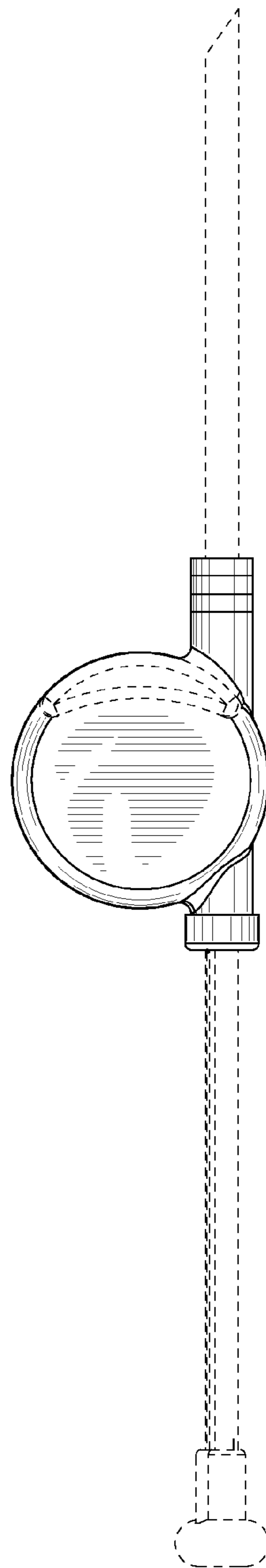


FIG. 5

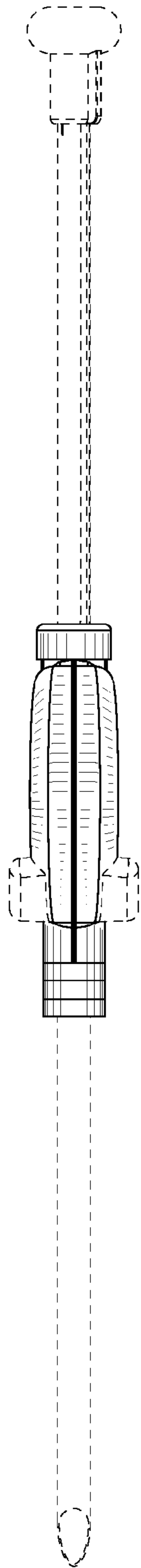


FIG. 6

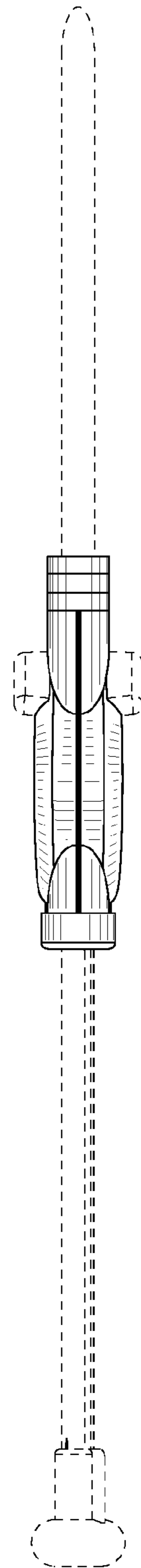


FIG. 7