

US00D698916S

(12) **United States Design Patent**
Avedon

(10) **Patent No.:** **US D698,916 S**

(45) **Date of Patent:** **** Feb. 4, 2014**

(54) **AIR MOVING DEVICE**

(75) Inventor: **Raymond B. Avedon**, Boulder, CO (US)

(73) Assignee: **Airius IP Holdings, LLC**, Longmont, CO (US)

(**) Term: **14 Years**

(21) Appl. No.: **29/422,031**

(22) Filed: **May 15, 2012**

(51) **LOC (10) Cl.** **23-04**

(52) **U.S. Cl.**
USPC **D23/379**

(58) **Field of Classification Search**
USPC D23/370-385, 411-414, 365; 415/60,
415/66, 68, 208.1, 213.1, 214.1; 310/257;
361/695; 126/299 D, 299 R
See application file for complete search history.

(56) **References Cited**

U.S. PATENT DOCUMENTS

D152,397 S *	1/1949	Damond	D23/337
D195,287 S *	5/1963	Downing	D23/370
3,927,300 A *	12/1975	Wada et al.	392/502
D256,273 S *	8/1980	Townsend et al.	D23/336
4,473,000 A	9/1984	Perkins		
4,662,912 A	5/1987	Perkins		
4,794,851 A	1/1989	Kurrle		
D308,416 S *	6/1990	Brumbach	D23/370
5,078,574 A	1/1992	Olsen		
D325,628 S *	4/1992	Cho	D23/370
5,121,675 A	6/1992	Muller et al.		
5,191,618 A	3/1993	Hisey		
D340,765 S *	10/1993	Joss et al.	D23/336
5,358,443 A	10/1994	Mitchell et al.		
5,399,119 A	3/1995	Birk et al.		
5,664,872 A	9/1997	Spearman et al.		
6,352,473 B1	3/2002	Clark		
D514,688 S *	2/2006	Avedon	D23/379
7,044,849 B2	5/2006	Dippel		
7,320,636 B2	1/2008	Seliger et al.		

7,381,129 B2	6/2008	Avedon		
7,467,931 B2	12/2008	O'Toole		
D631,148 S *	1/2011	Benton et al.	D23/370
D672,863 S *	12/2012	Romero Carreras	D23/370
D681,184 S *	4/2013	Romero Carreras	D23/370
2005/0159101 A1	7/2005	Hrdina et al.		
2008/0227381 A1	9/2008	Avedon		
2010/0266400 A1	10/2010	Avedon		
2011/0037368 A1	2/2011	Huang		
2012/0195749 A1	8/2012	Avedon		

FOREIGN PATENT DOCUMENTS

CN	101592328	12/2009
GB	981188	1/1965
GB	2468504	9/2010
JP	2001-193979	7/2001
JP	2002-349489	12/2002
KR	2003-0025428	3/2003

* cited by examiner

Primary Examiner — Susan Bennett Hattan

Assistant Examiner — Janice Hallmark

(74) *Attorney, Agent, or Firm* — Knobbe, Martens, Olson & Bear LLP

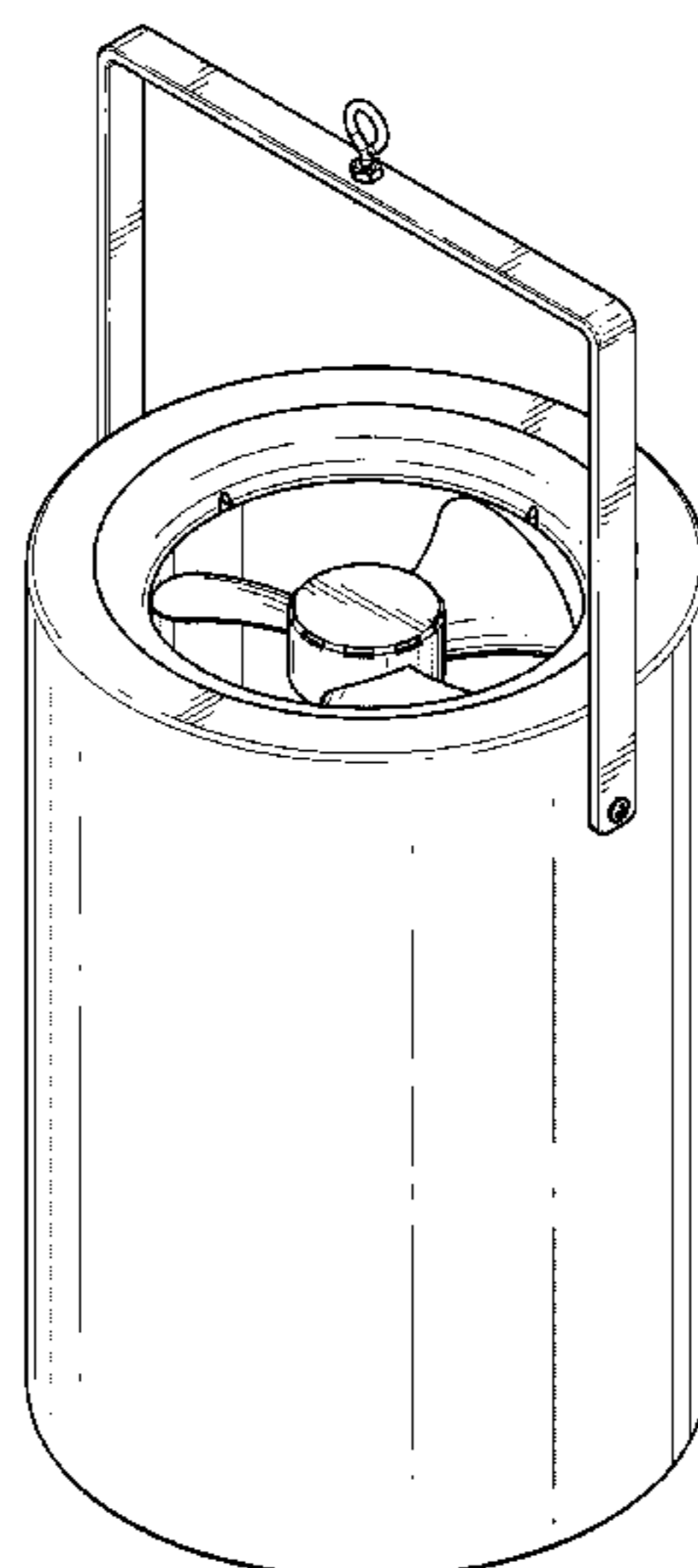
(57) **CLAIM**

The ornamental design for an air moving device, as shown and described.

DESCRIPTION

FIG. 1 is a front, left, and top side perspective view of an air moving device embodying our new design; FIG. 2 is a front side elevational view thereof; FIG. 3 is a back side elevational view thereof; FIG. 4 is a left side elevational view thereof; FIG. 5 is a right side elevational view thereof; FIG. 6 is a top plan view thereof; FIG. 7 is a bottom plan view thereof; and, FIG. 8 is a back, left, and bottom side perspective view thereof.

1 Claim, 7 Drawing Sheets



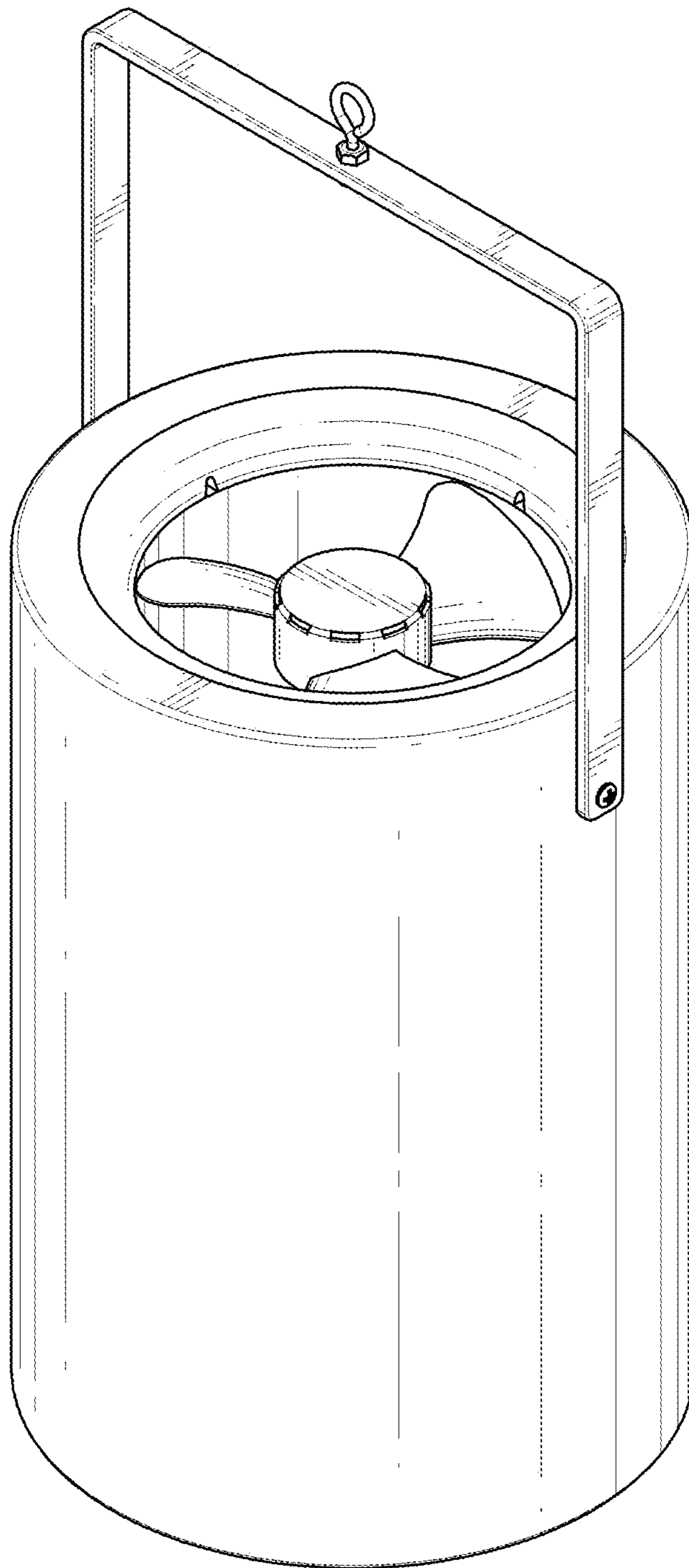


FIG. 1

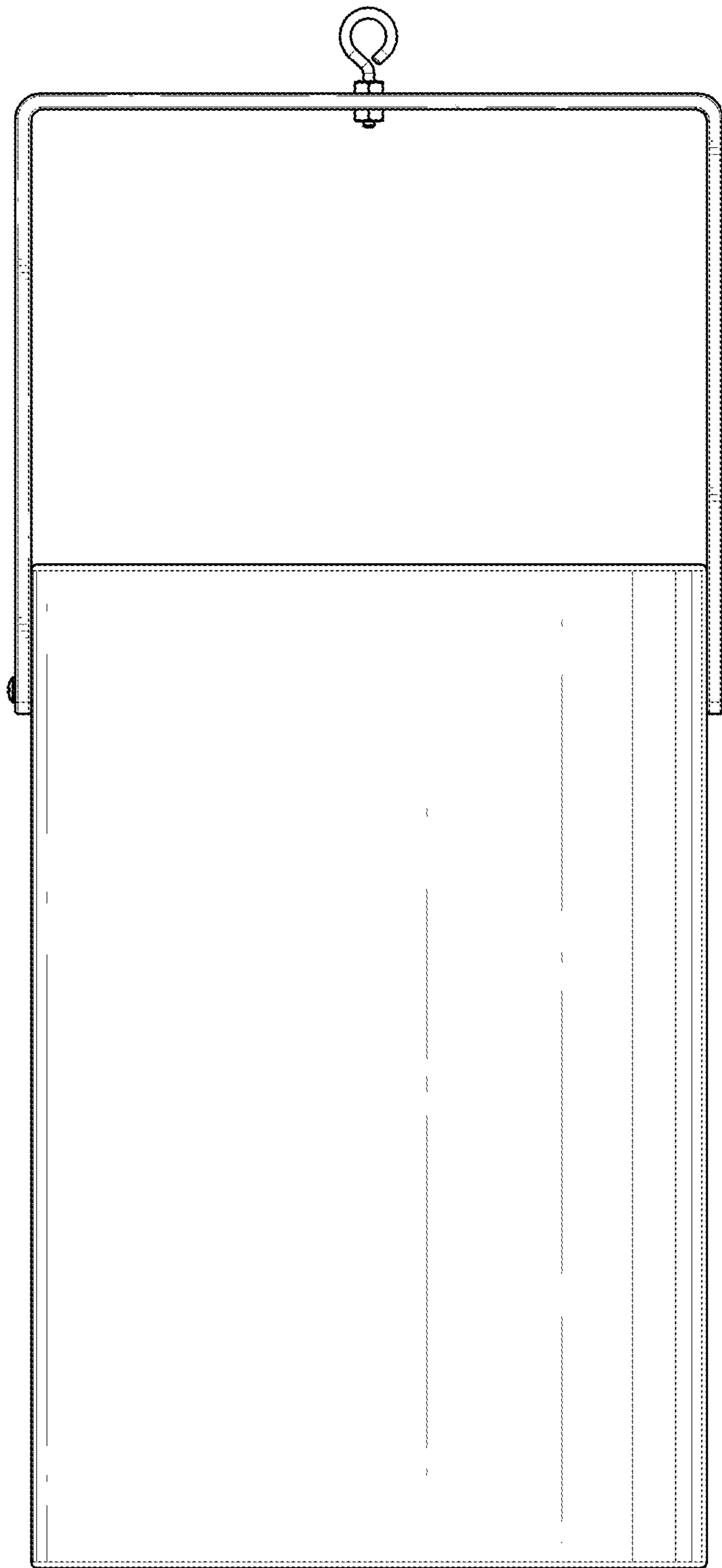


FIG. 2

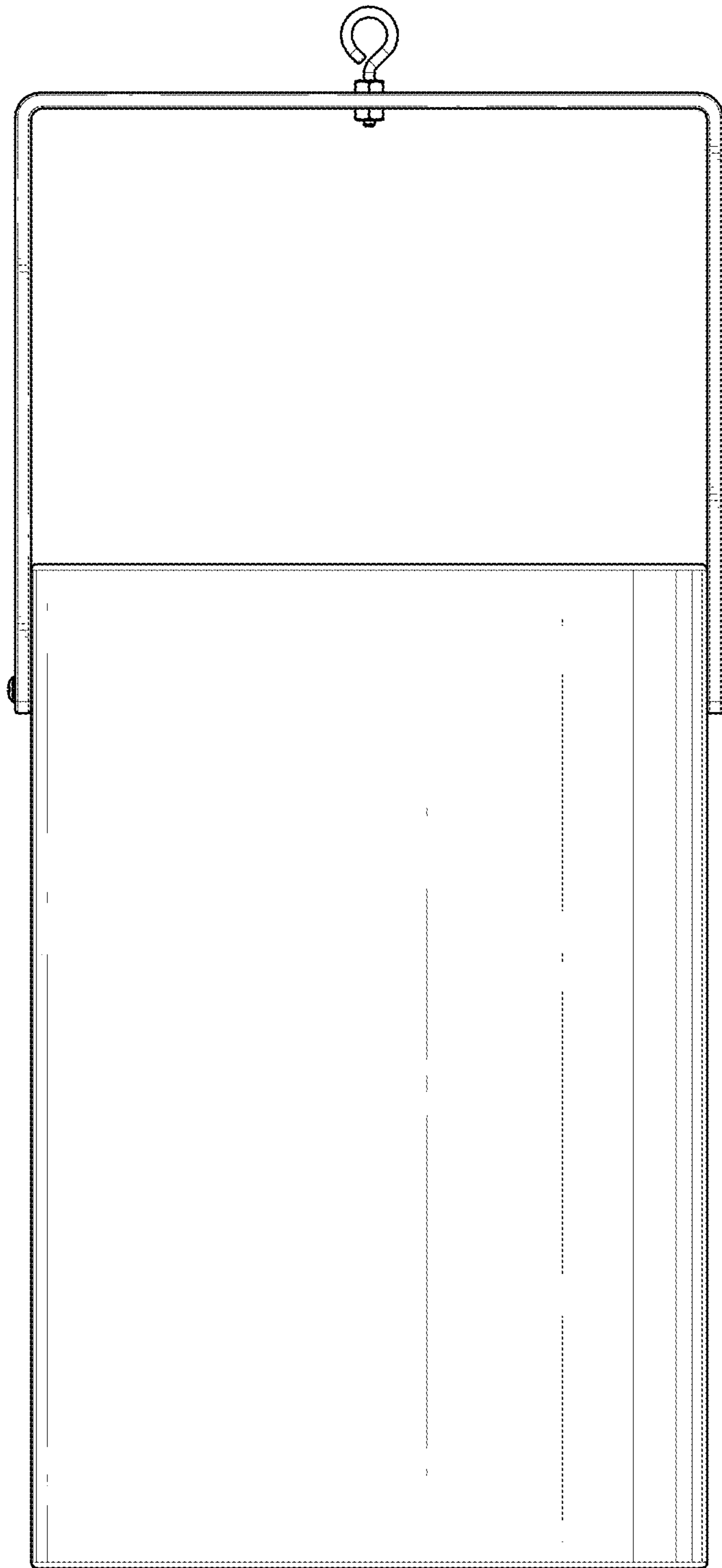


FIG. 3

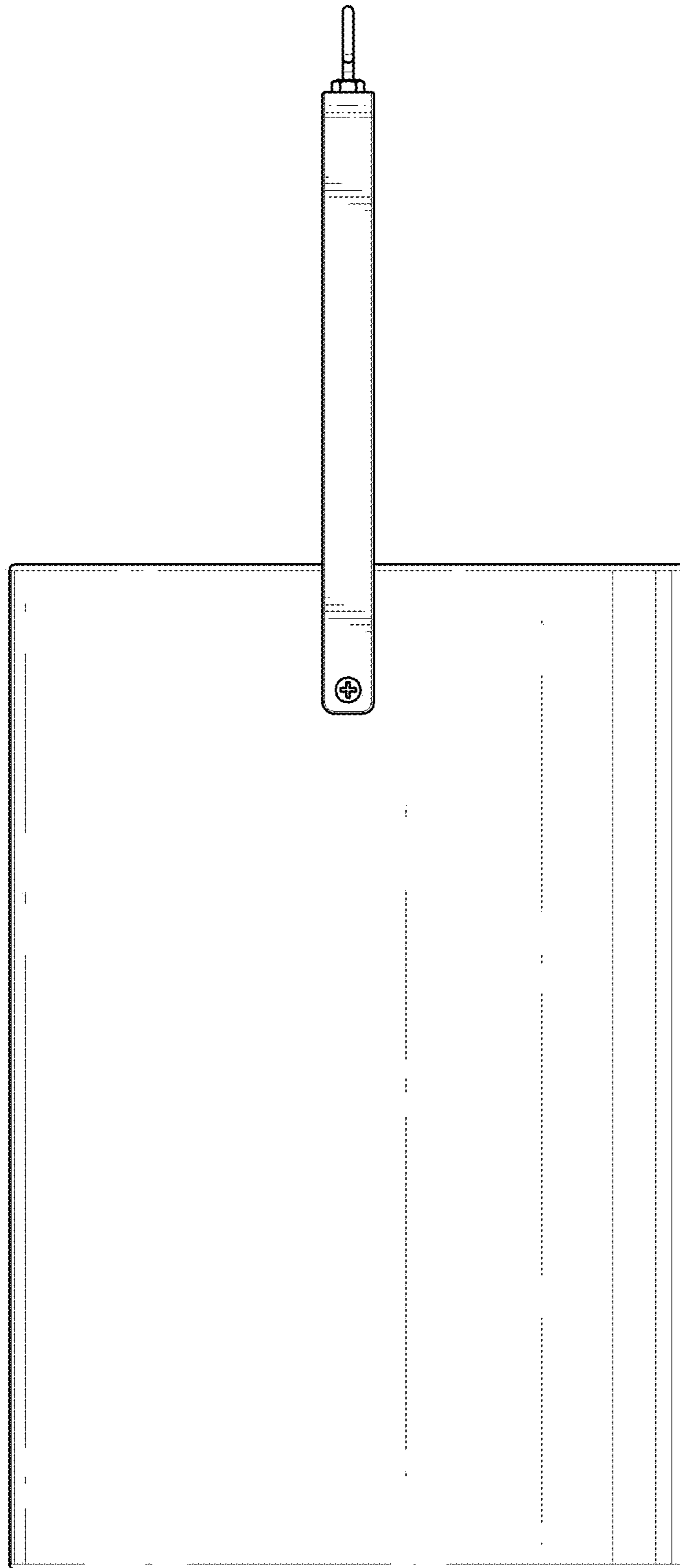


FIG. 4

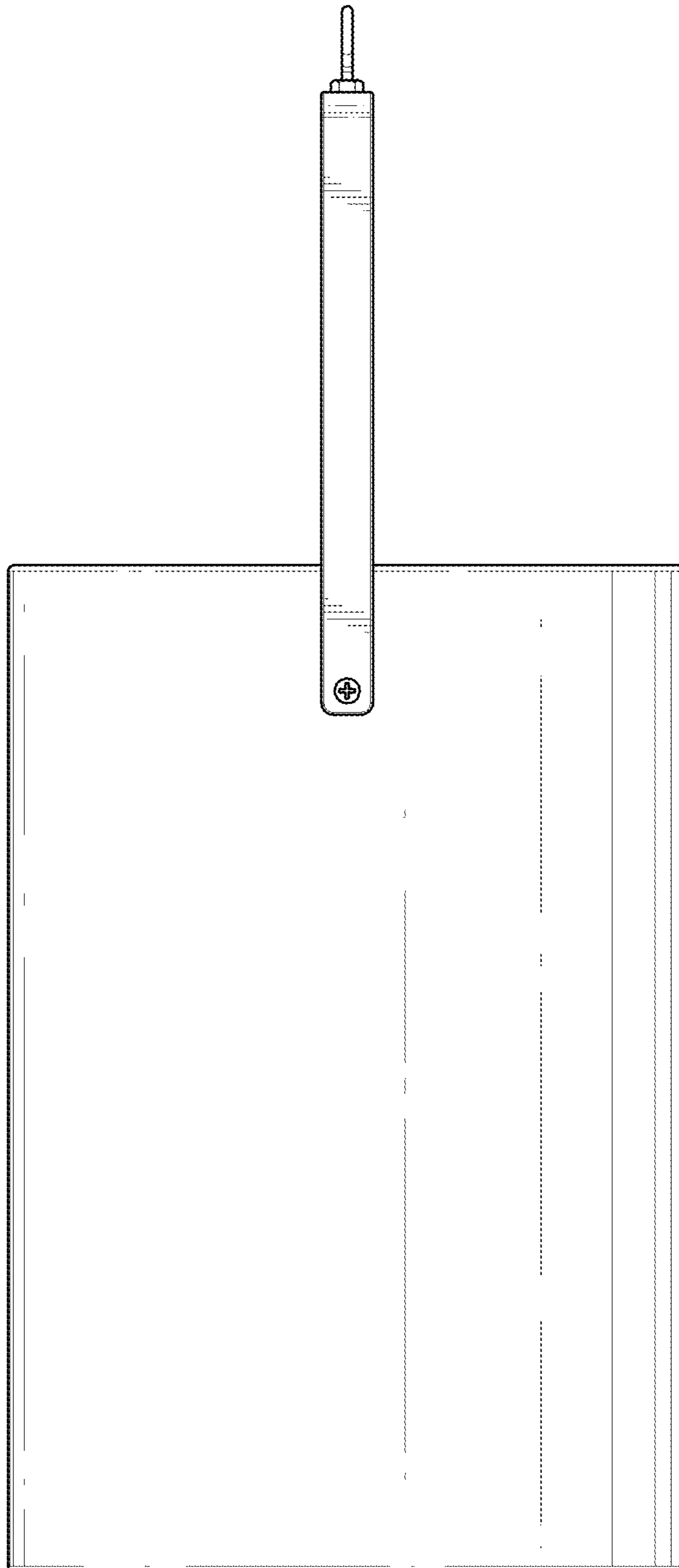


FIG. 5

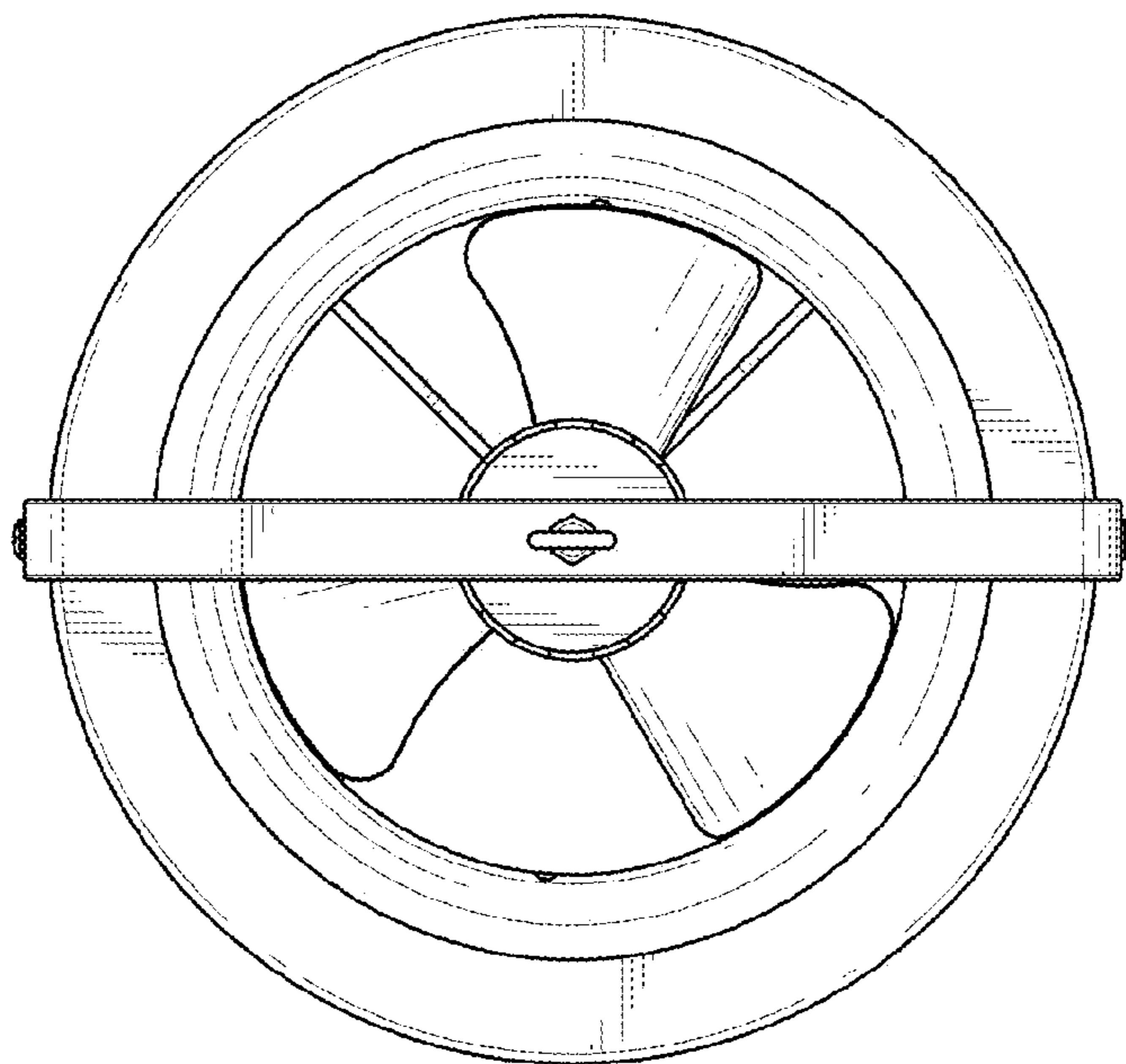


FIG. 6

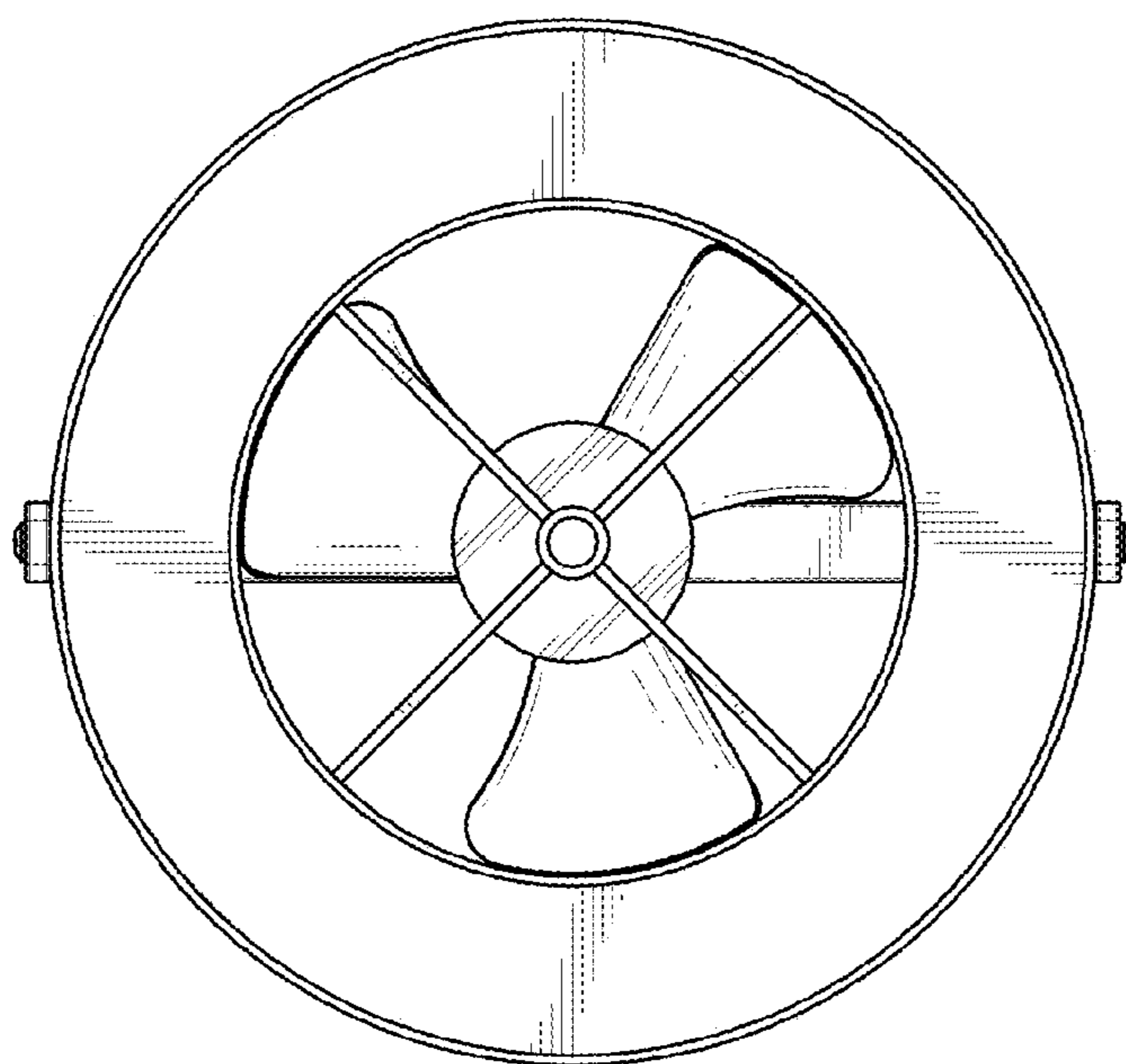


FIG. 7

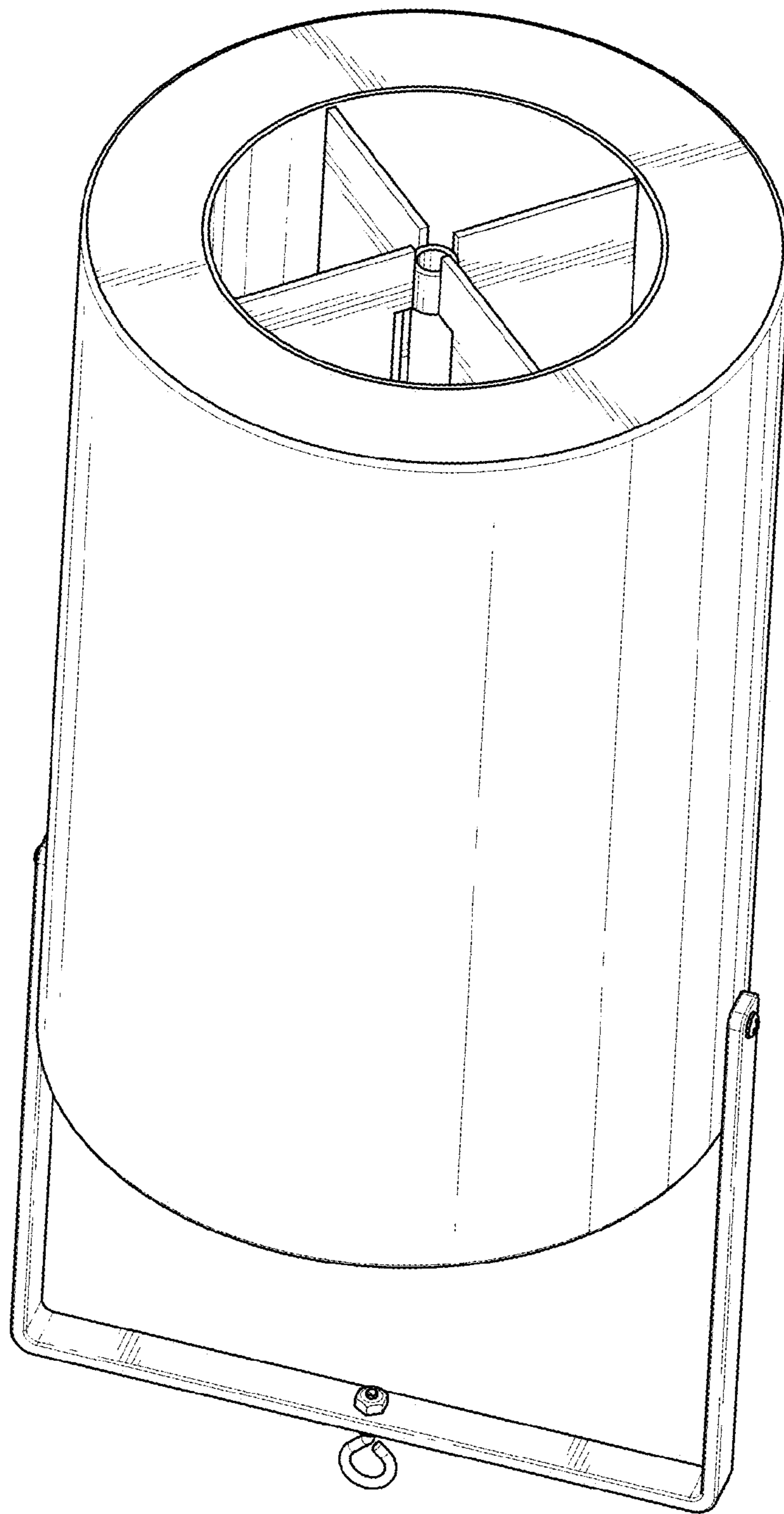


FIG. 8