



US00D698914S

(12) **United States Design Patent**
Love et al.

(10) **Patent No.:** **US D698,914 S**
(45) **Date of Patent:** **** Feb. 4, 2014**

- (54) **FAN ASSEMBLY**
- (71) Applicant: **Fanimation, Inc.**, Zionsville, IN (US)
- (72) Inventors: **Mori Love**, Fullerton, CA (US);
Kristina Christopher, Cornelius, NC (US); **Thomas C. Frampton**, Zionsville, IN (US)
- (73) Assignee: **Fanimation, Inc.**, Zionsville, IN (US)
- (**) Term: **14 Years**
- (21) Appl. No.: **29/451,851**
- (22) Filed: **Apr. 9, 2013**
- (51) **LOC (10) Cl.** **23-04**
- (52) **U.S. Cl.**
USPC **D23/377**
- (58) **Field of Classification Search**
USPC D23/370–385, 411–414, 365, 364;
415/60, 66, 68, 208.1, 213.1, 214.1;
310/257; 361/695; 126/299 D, 299 R;
D26/51, 72, 73
See application file for complete search history.

- D652,133 S * 1/2012 Hiner et al. D23/377
- D652,980 S * 1/2012 Yoshida et al. D26/89
- D660,952 S * 5/2012 Spaggiari D23/370
- D676,543 S * 2/2013 Hiner et al. D23/377
- D676,952 S * 2/2013 Hiner D23/377

* cited by examiner

Primary Examiner — Susan Bennett Hattan

Assistant Examiner — Janice Hallmark

(74) *Attorney, Agent, or Firm* — Maginot, Moore & Beck

(57) **CLAIM**

The ornamental design for a fan assembly, as shown and described.

DESCRIPTION

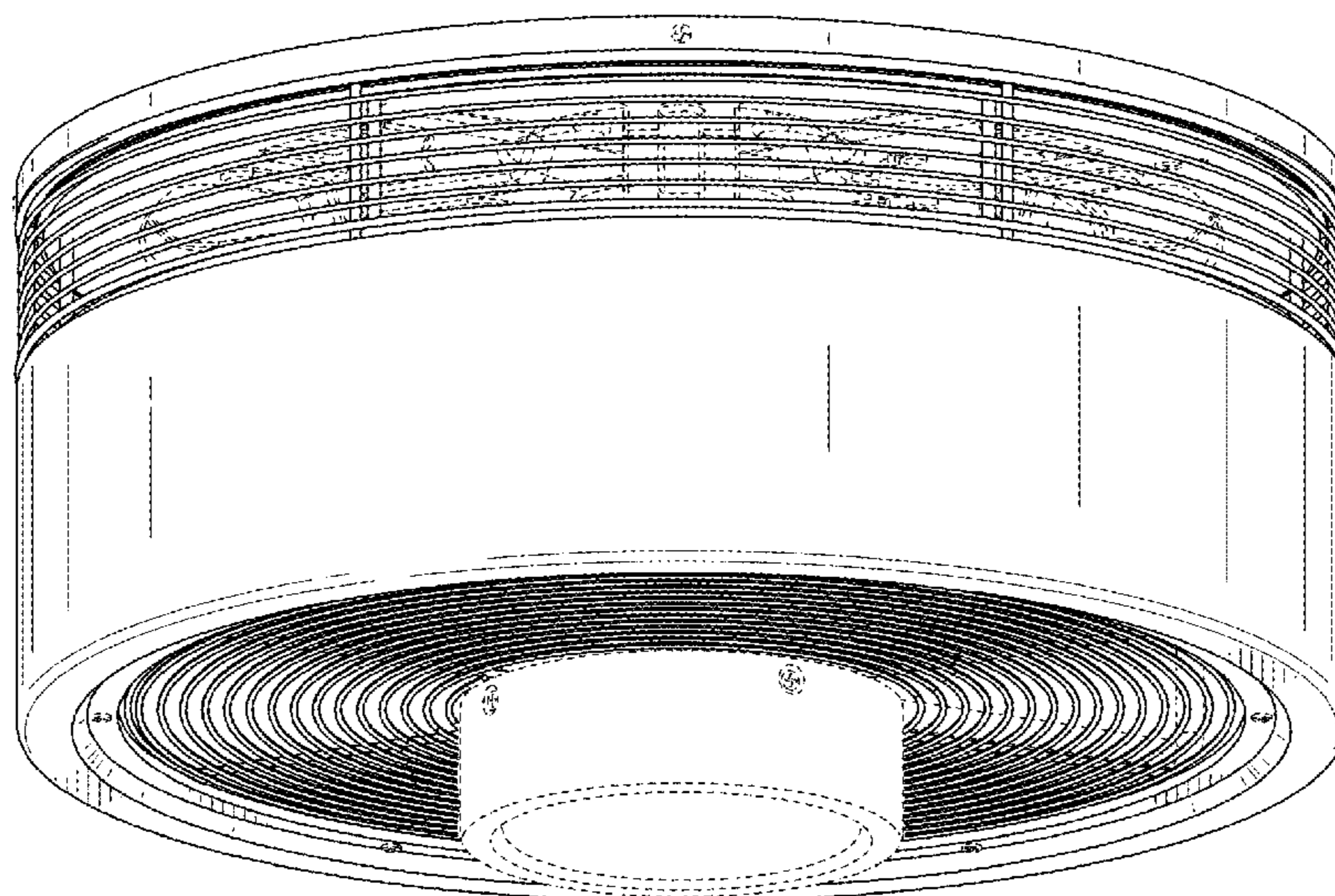
FIG. 1 is a perspective view of a fan assembly showing our new design;
 FIG. 2 is a front elevational view showing the design for the fan assembly of FIG. 1;
 FIG. 3 is a rear elevational view showing the design for the fan assembly of FIG. 1;
 FIG. 4 is a left side elevational view showing the design for the fan assembly of FIG. 1;
 FIG. 5 is a right side elevational view showing the design for the fan assembly of FIG. 1;
 FIG. 6 is a top plan view showing the design for the fan assembly of FIG. 1; and,
 FIG. 7 is a bottom plan view showing the design for the fan assembly of FIG. 1.
 In FIGS. 1-7, the broken line showing of portions of the fan assembly is included for illustrative purposes only and forms no part of the claimed design.

(56) **References Cited**

U.S. PATENT DOCUMENTS

- D441,856 S * 5/2001 Wettergren D23/328
- D484,587 S * 12/2003 Bucher et al. D23/377
- D497,447 S * 10/2004 Yoneda D26/72
- D525,696 S * 7/2006 Ertze D23/377
- D557,398 S * 12/2007 Moore et al. D23/382
- D581,509 S * 11/2008 Marshall D23/377

1 Claim, 7 Drawing Sheets



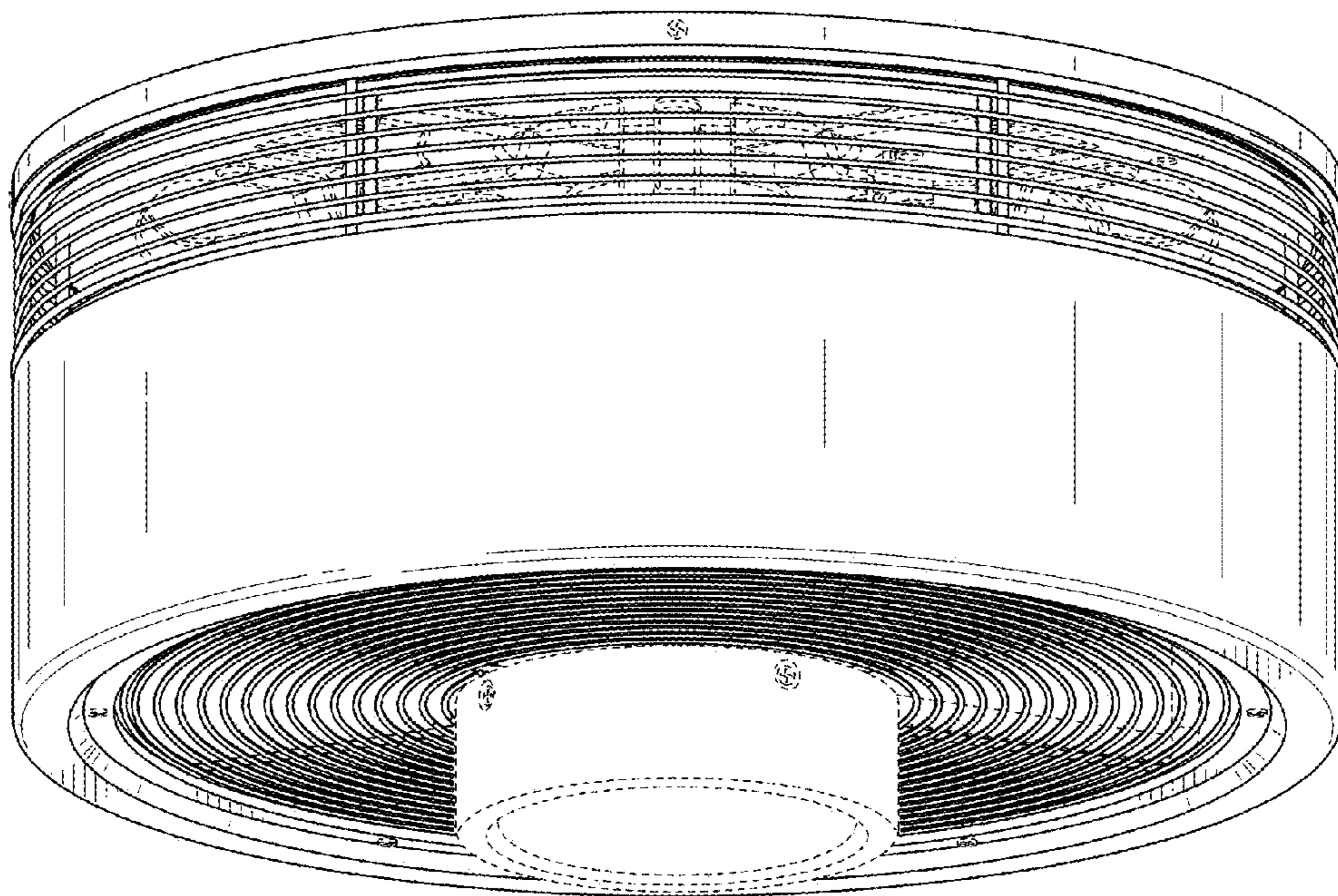


FIG. 1

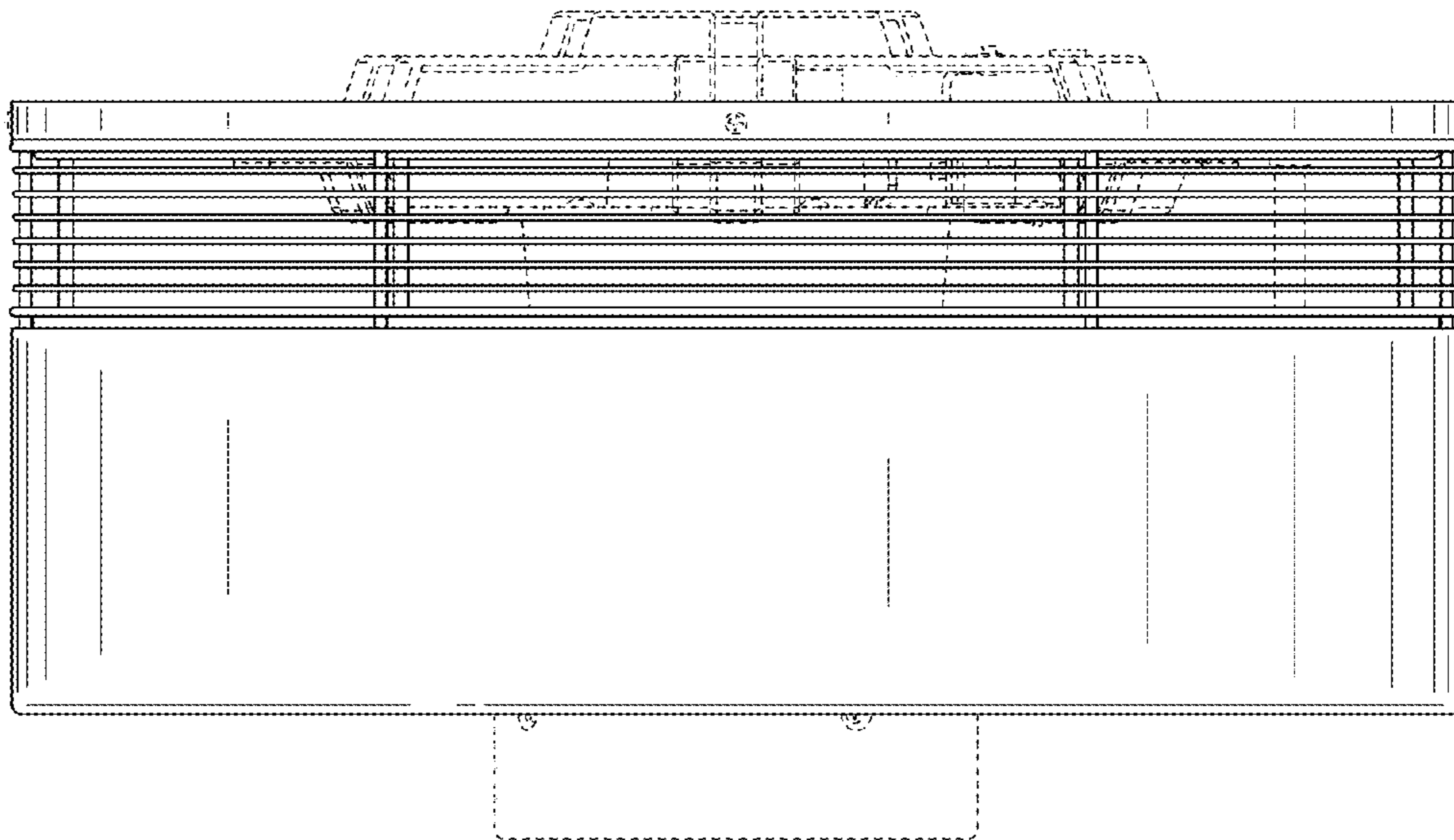


FIG. 2

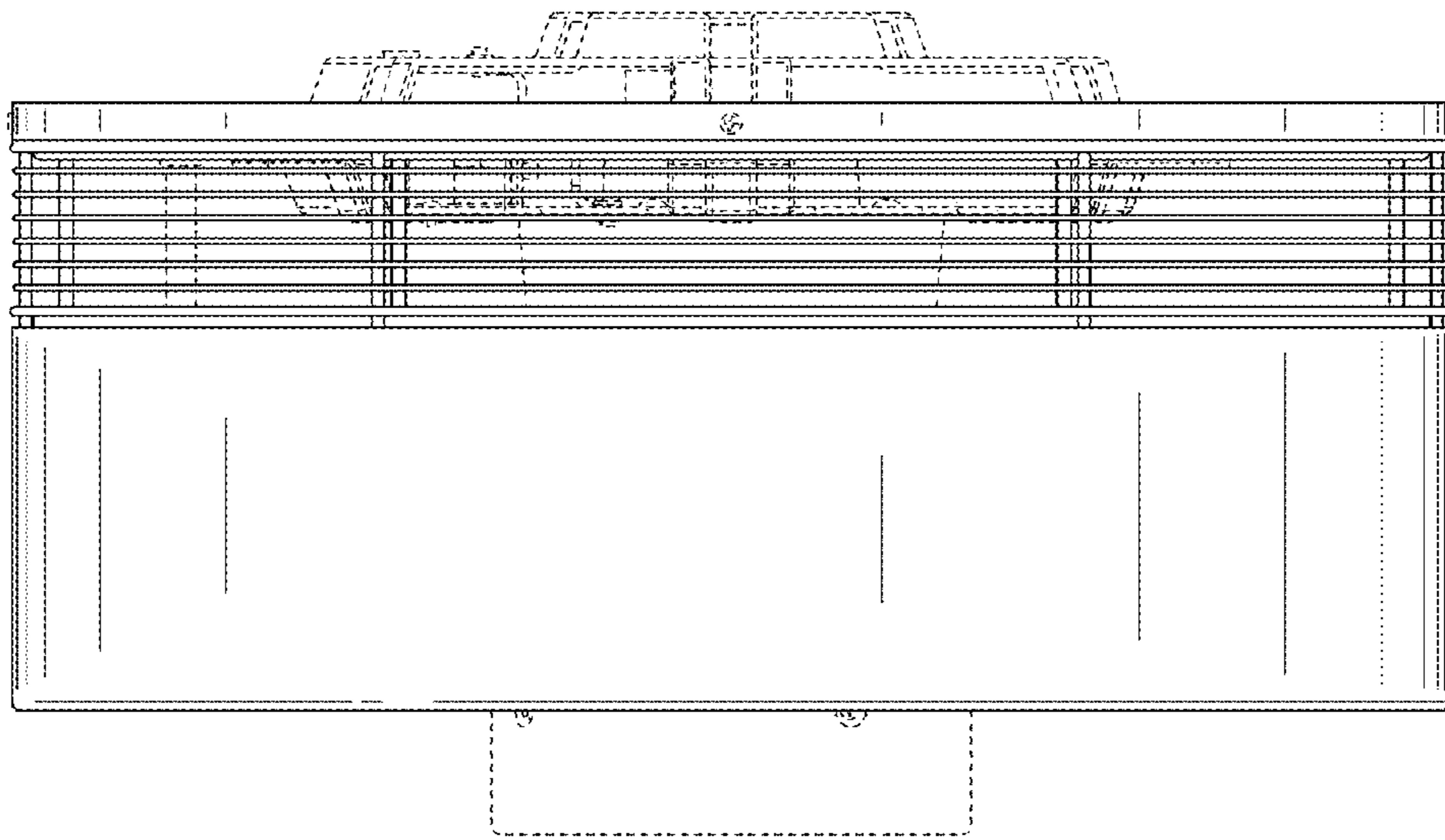


FIG. 3

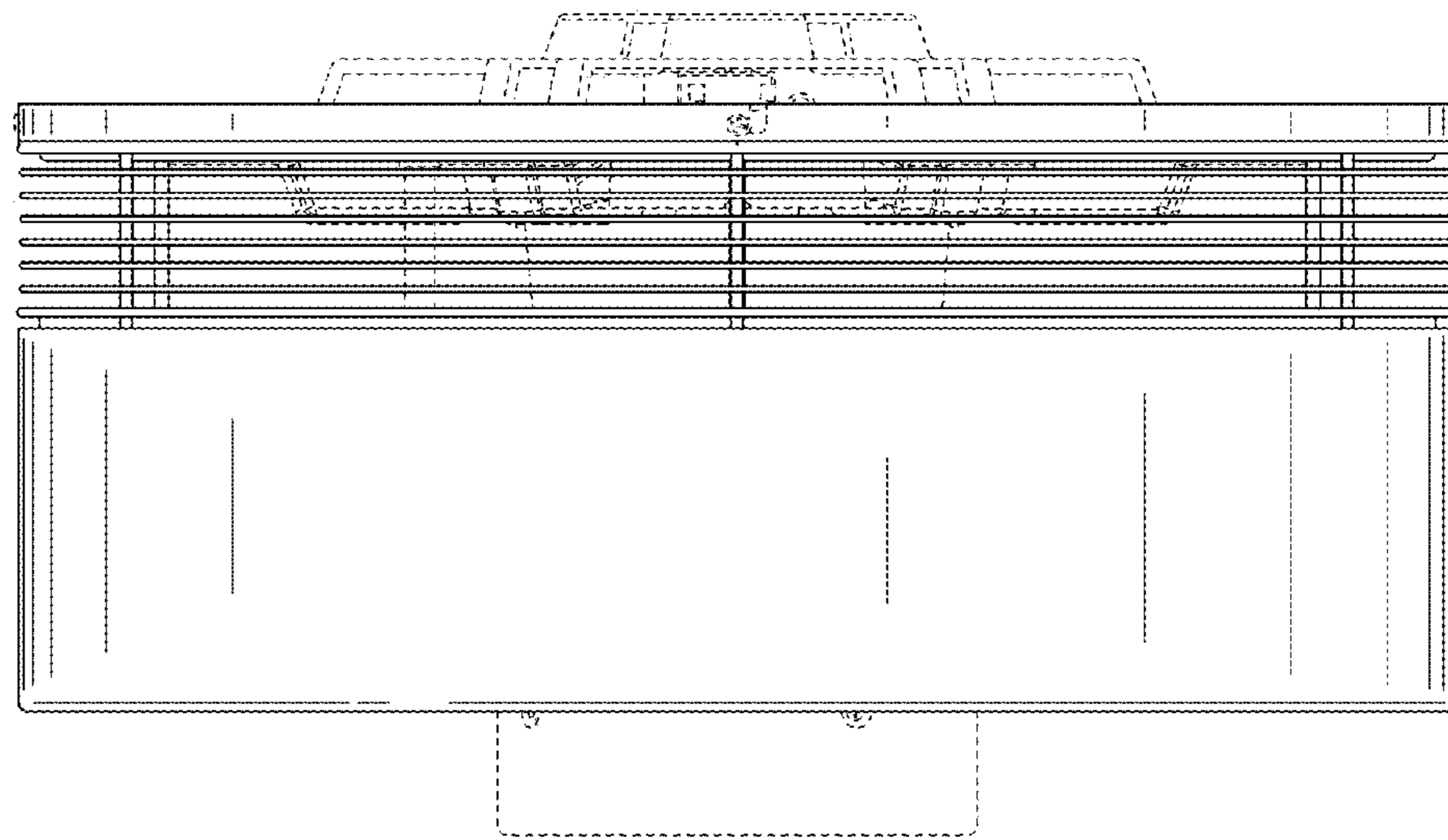


FIG. 4

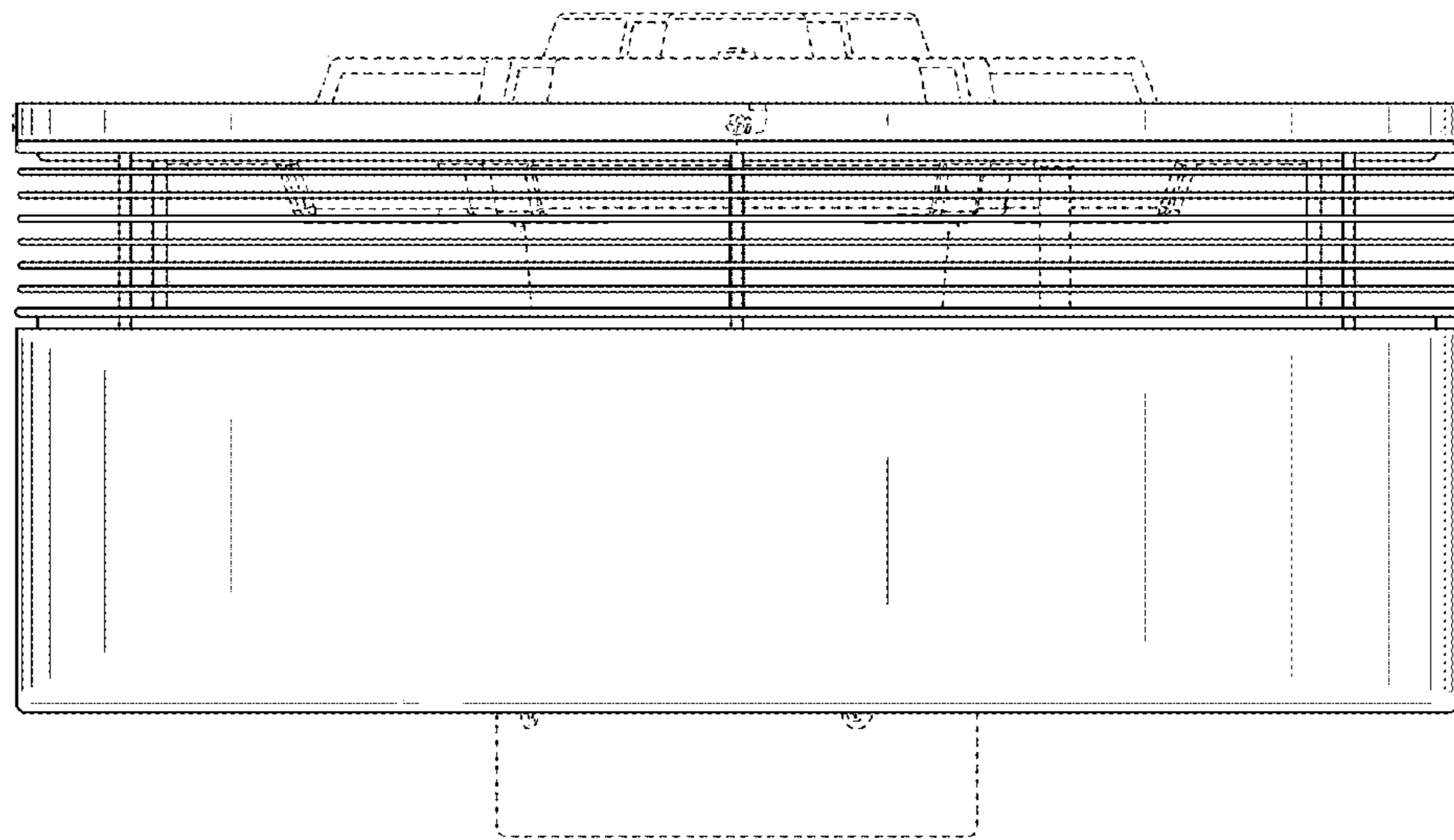


FIG. 5

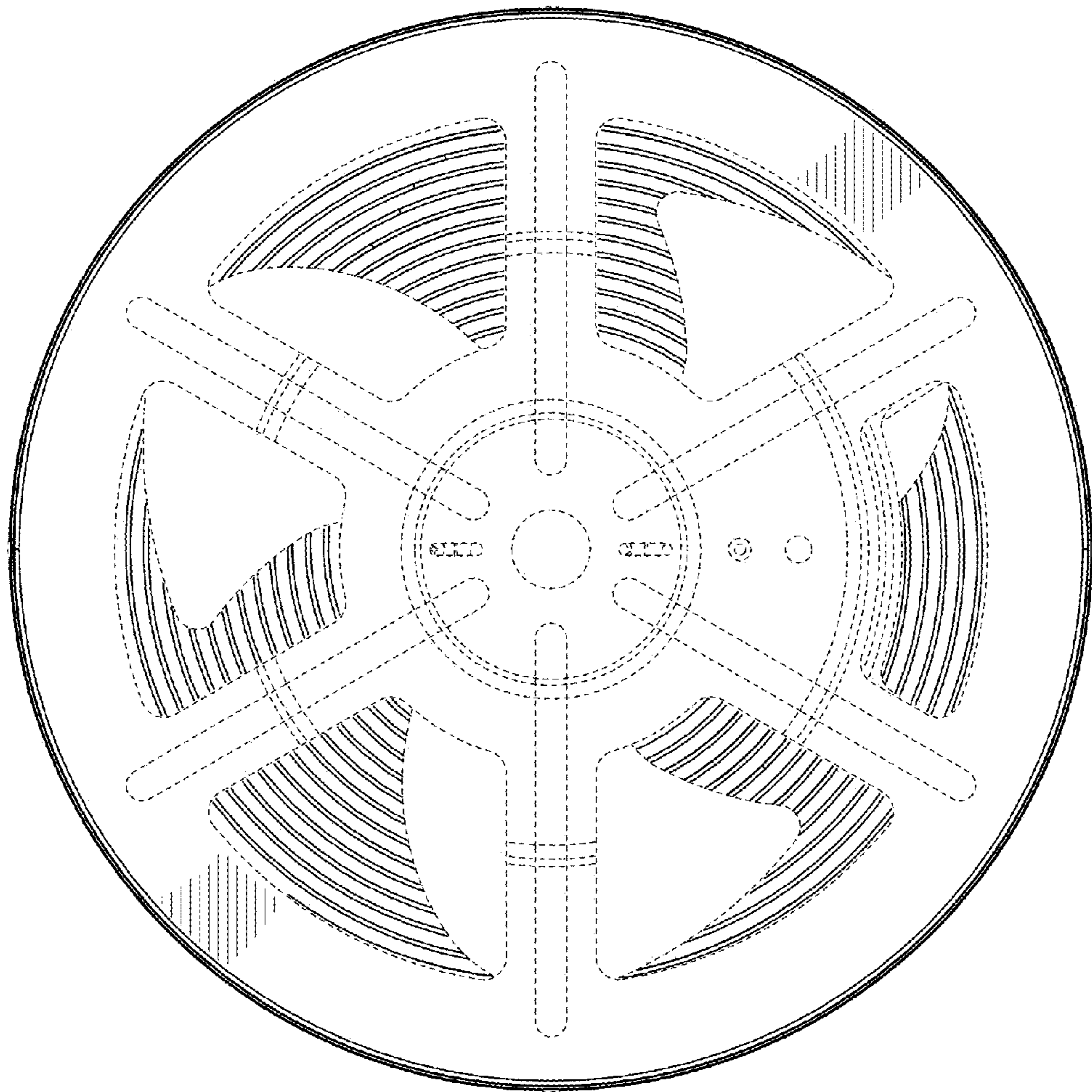


FIG. 6

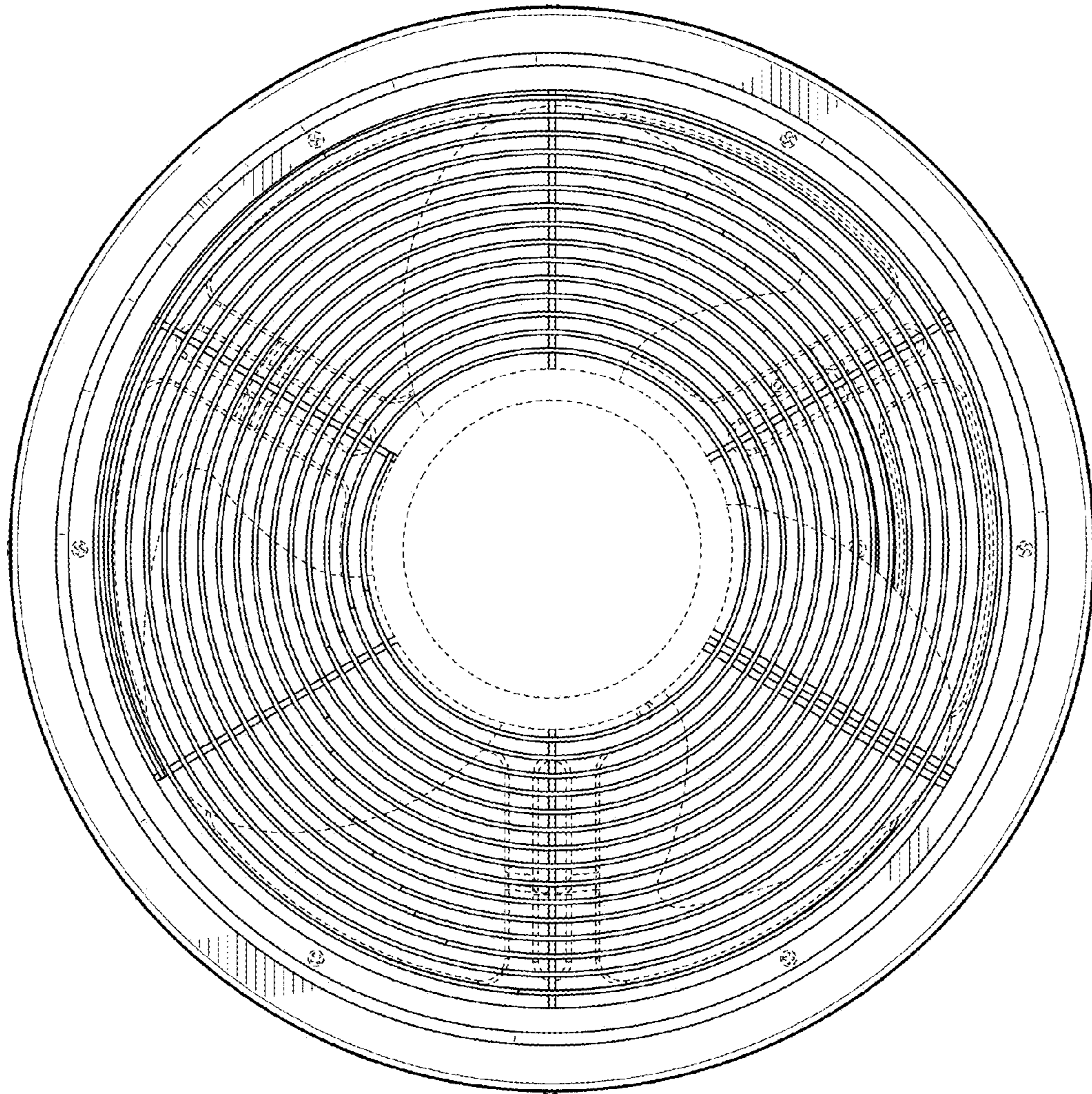


FIG. 7