

US00D698910S

(12) **United States Design Patent**  
**Lin**

(10) **Patent No.:** **US D698,910 S**  
(45) **Date of Patent:** **\*\* Feb. 4, 2014**

(54) **AROMA-DIFFUSING HEATING DEVICE**  
(71) Applicant: **Serene House International Enterprise Ltd.**, Road Town (VG)  
(72) Inventor: **Fen Ju Lin**, Taipei (TW)  
(73) Assignee: **Serene House International Enterprise Ltd.**, Road Town (VG)

6,435,694 B1 *	8/2002	Bell et al. ....	362/161
D509,893 S *	9/2005	Sevy .....	D23/366
D535,376 S *	1/2007	Michaels et al. ....	D23/366
D544,084 S *	6/2007	Michaels et al. ....	D23/366
D611,587 S *	3/2010	Dineen .....	D23/366
D611,588 S *	3/2010	Jorgensen .....	D23/366
D614,277 S *	4/2010	Hsiao .....	D23/366
D621,495 S *	8/2010	Li .....	D23/366
D622,835 S *	8/2010	Mendheim .....	D23/364
D637,275 S *	5/2011	Baraky .....	D23/366
D662,581 S *	6/2012	Savegnago .....	D23/366

(\*\*) Term: **14 Years**

\* cited by examiner

(21) Appl. No.: **29/462,569**

*Primary Examiner* — Sandra Snapp

(22) Filed: **Aug. 6, 2013**

(74) *Attorney, Agent, or Firm* — Ming Chow; Sinorica, LLC

(51) **LOC (10) Cl.** ..... **28-99**

(57) **CLAIM**

(52) **U.S. Cl.**  
USPC ..... **D23/366**

The ornamental design for an aroma-diffusing heating device, as shown and described.

(58) **Field of Classification Search**  
USPC ..... D23/355–369; D28/5, 6; 261/DIG. 17, 261/DIG. 42, DIG. 65, DIG. 88, DIG. 89; 392/386, 390, 394, 395; 239/34, 44, 239/53, 55, 56, 326; D26/14, 17, 98, 9, 22, D26/24; D11/131.1; D7/509, 522, 524, 537  
See application file for complete search history.

**DESCRIPTION**

(56) **References Cited**

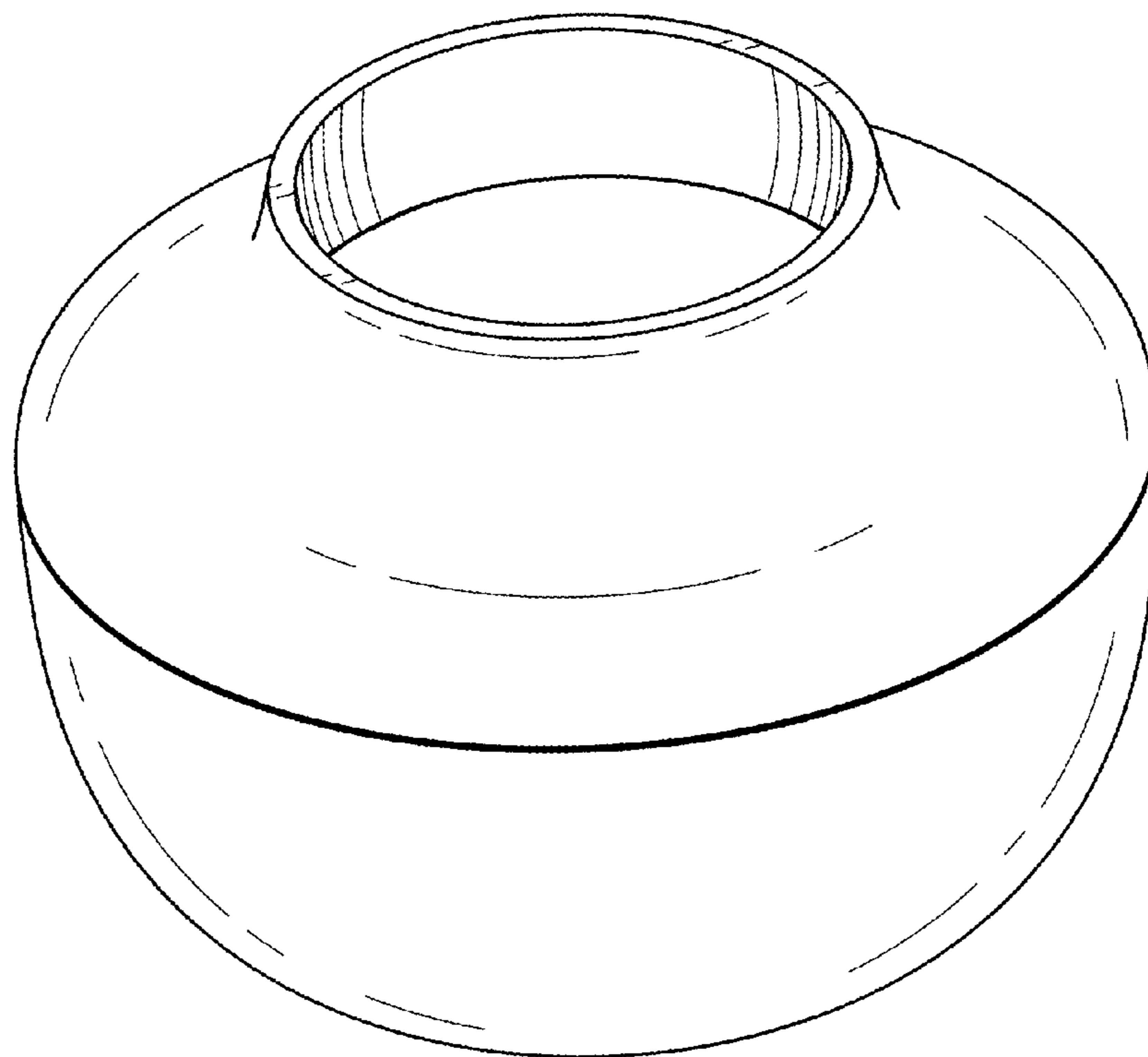
U.S. PATENT DOCUMENTS

D319,781 S *	9/1991	Halm et al. ....	D32/29.1
D392,032 S *	3/1998	Zaragoza et al. ....	D23/369
D454,190 S *	3/2002	Trocola .....	D23/366

FIG. 1 is a perspective view of an aroma-diffusing heating device showing my new design;  
FIG. 2 is a front view thereof;  
FIG. 3 is a rear view thereof;  
FIG. 4 is a left side view thereof;  
FIG. 5 is a right side view thereof;  
FIG. 6 is a top view thereof; and,  
FIG. 7 is a bottom view thereof.

The broken lines in the drawings are for illustrative purposes only and from no part of the claimed design.

**1 Claim, 7 Drawing Sheets**



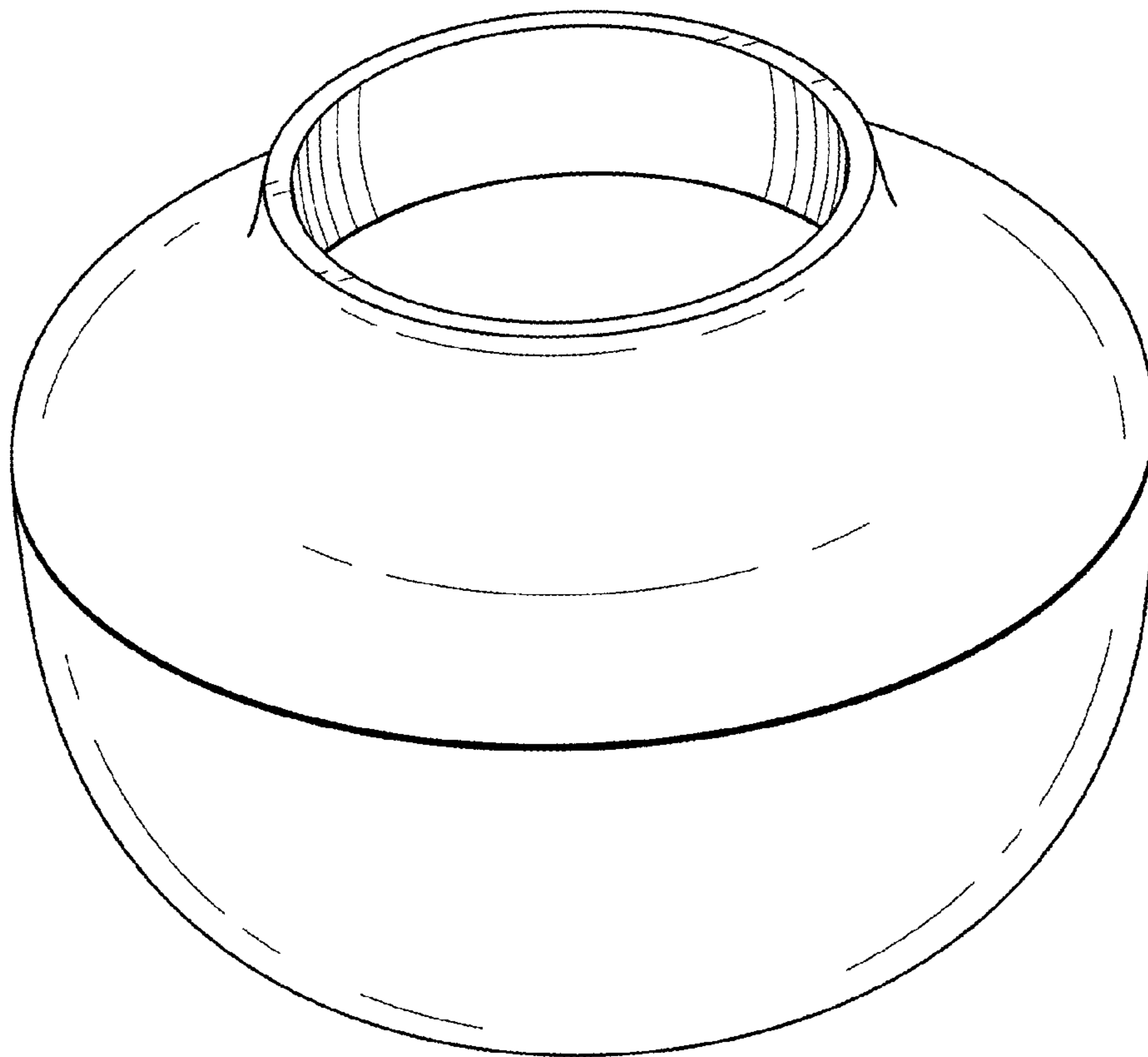


FIG. 1

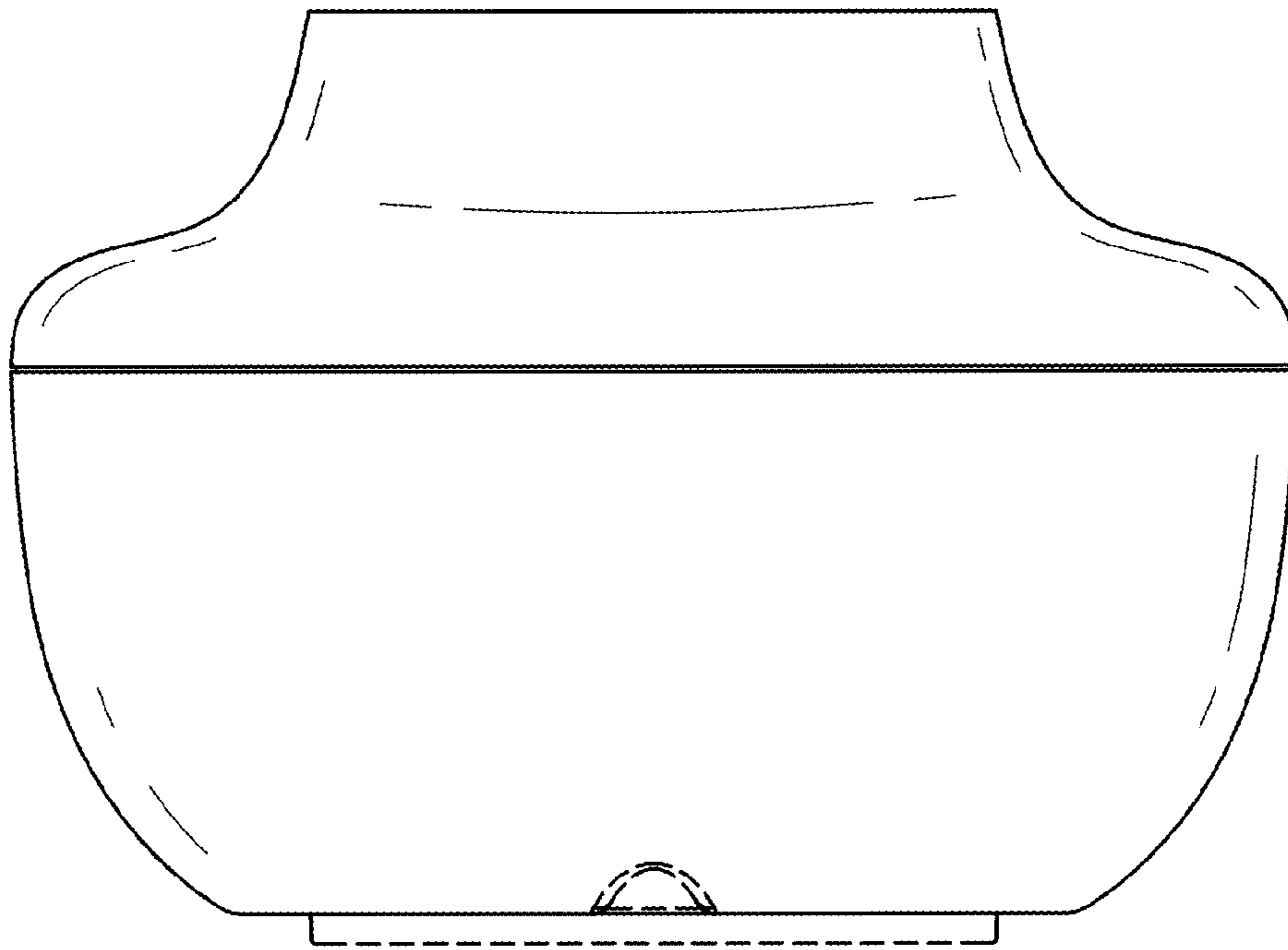


FIG. 2

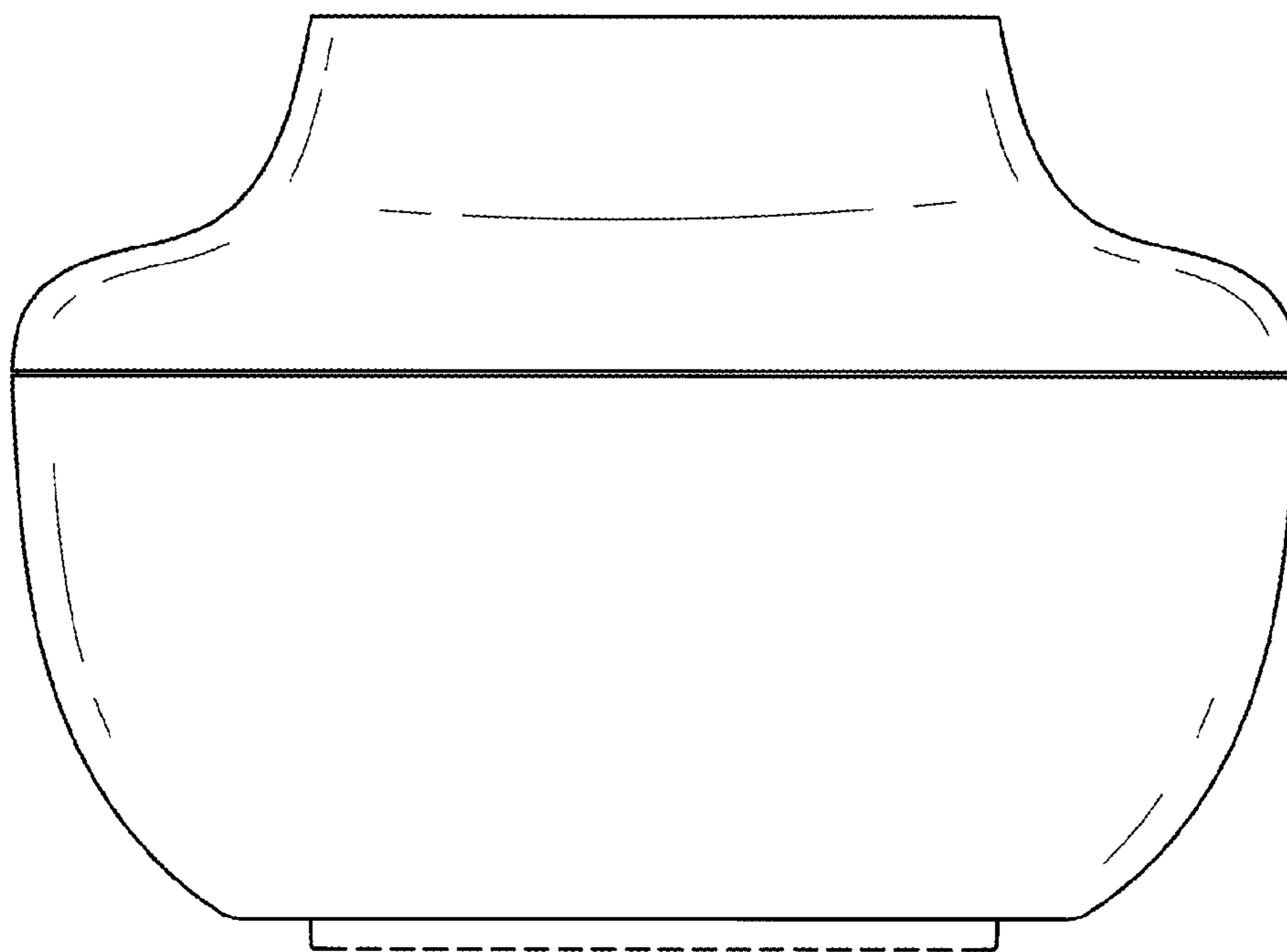


FIG. 3

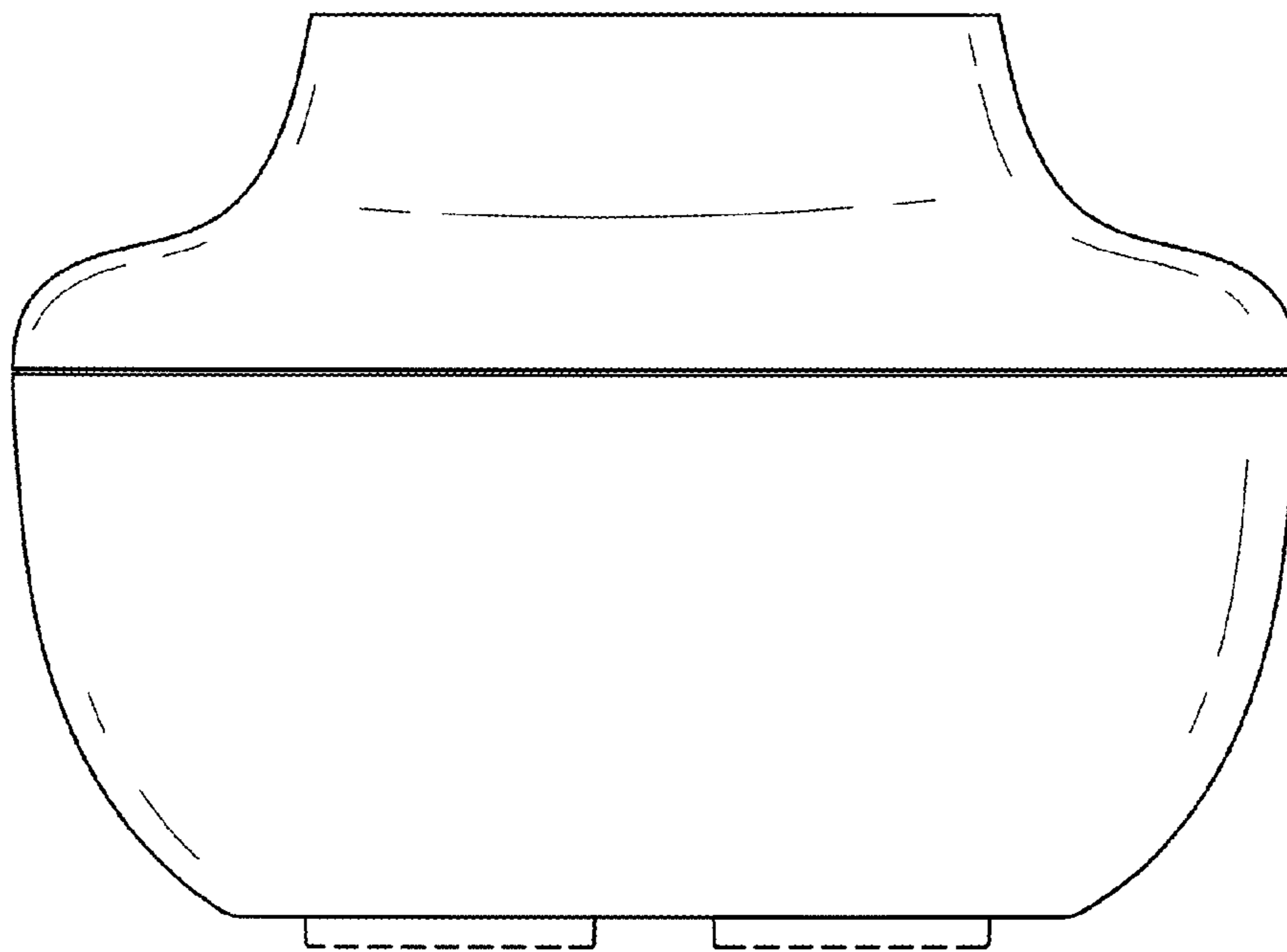


FIG. 4

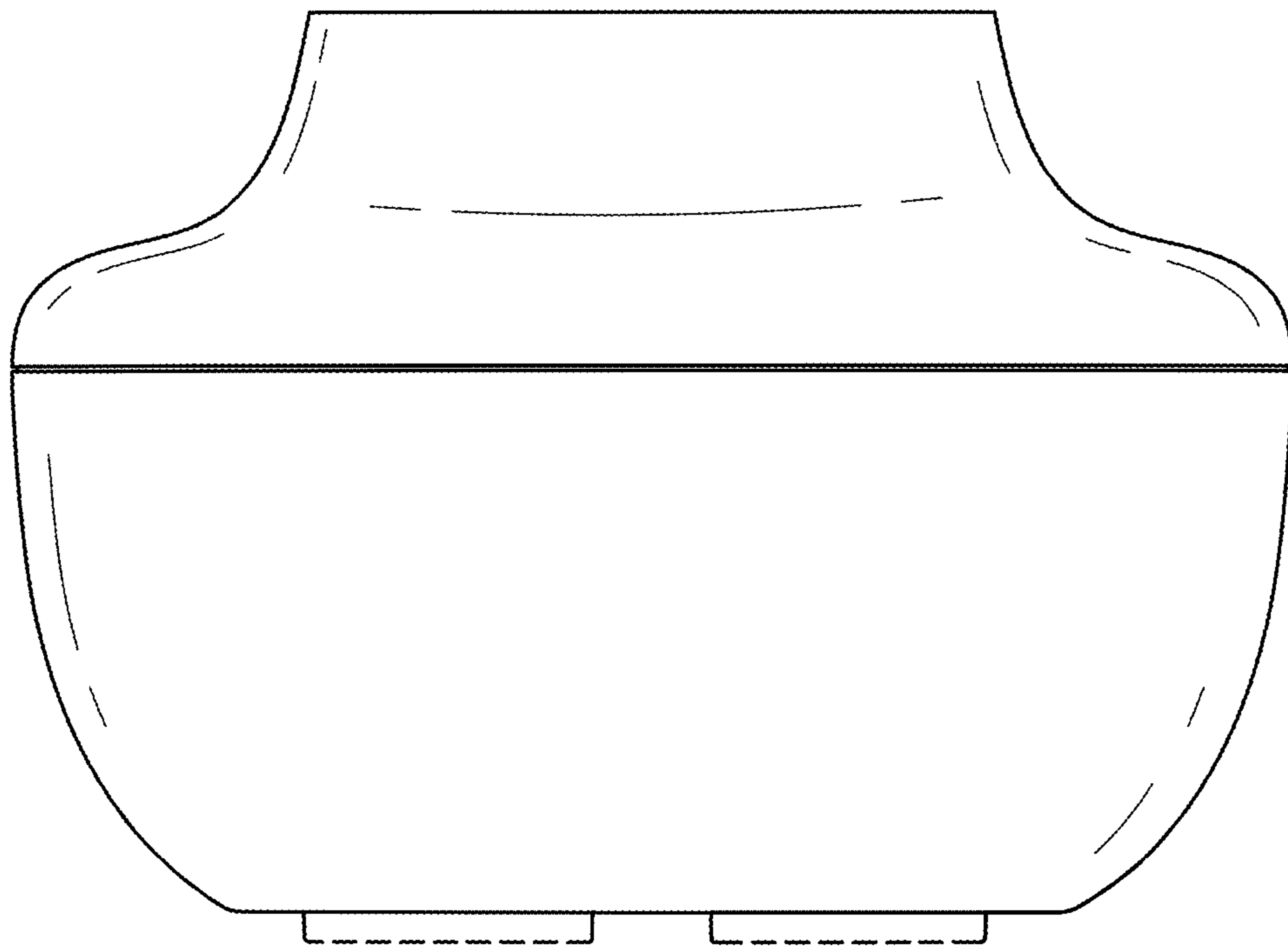


FIG. 5

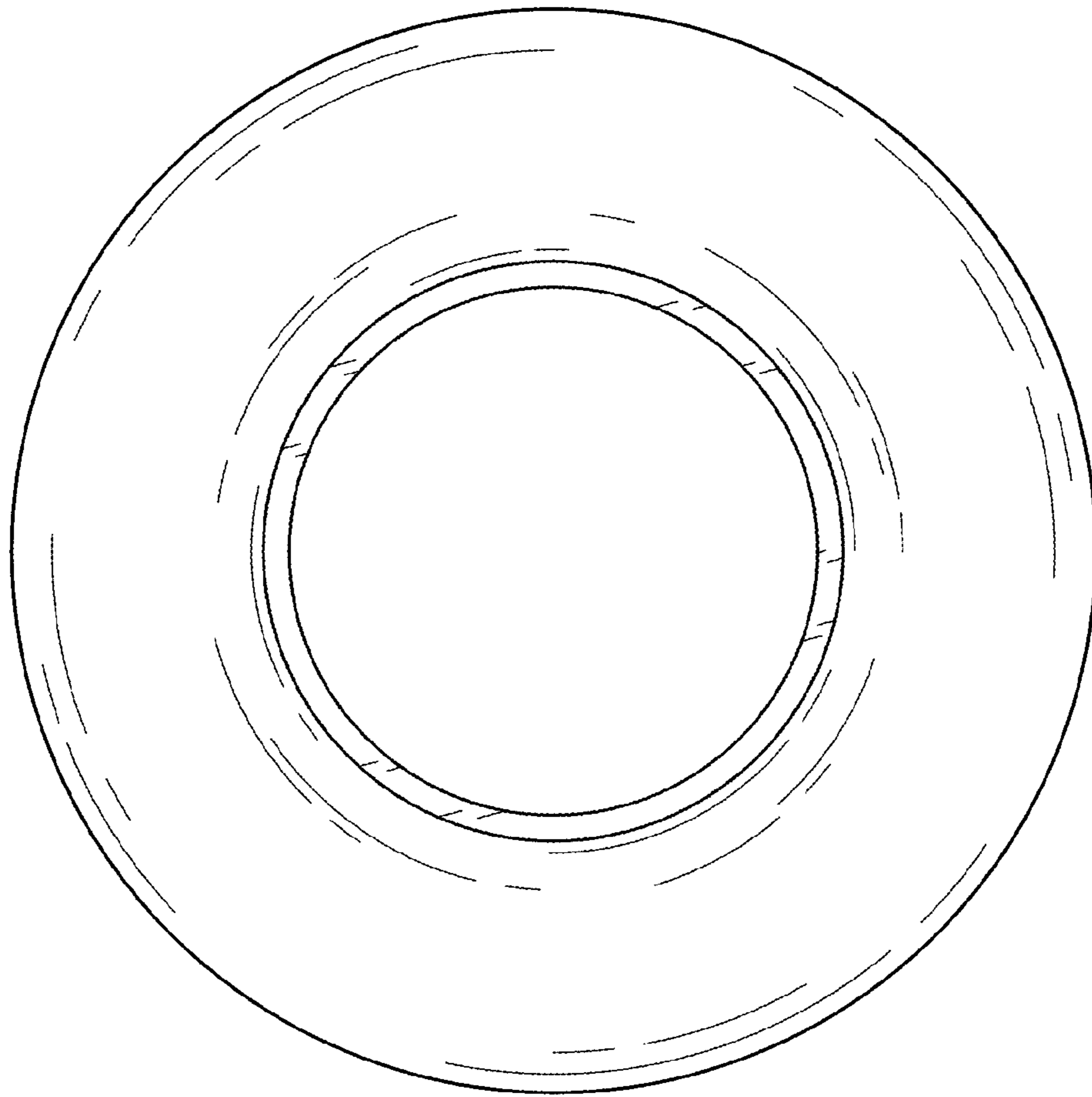


FIG. 6

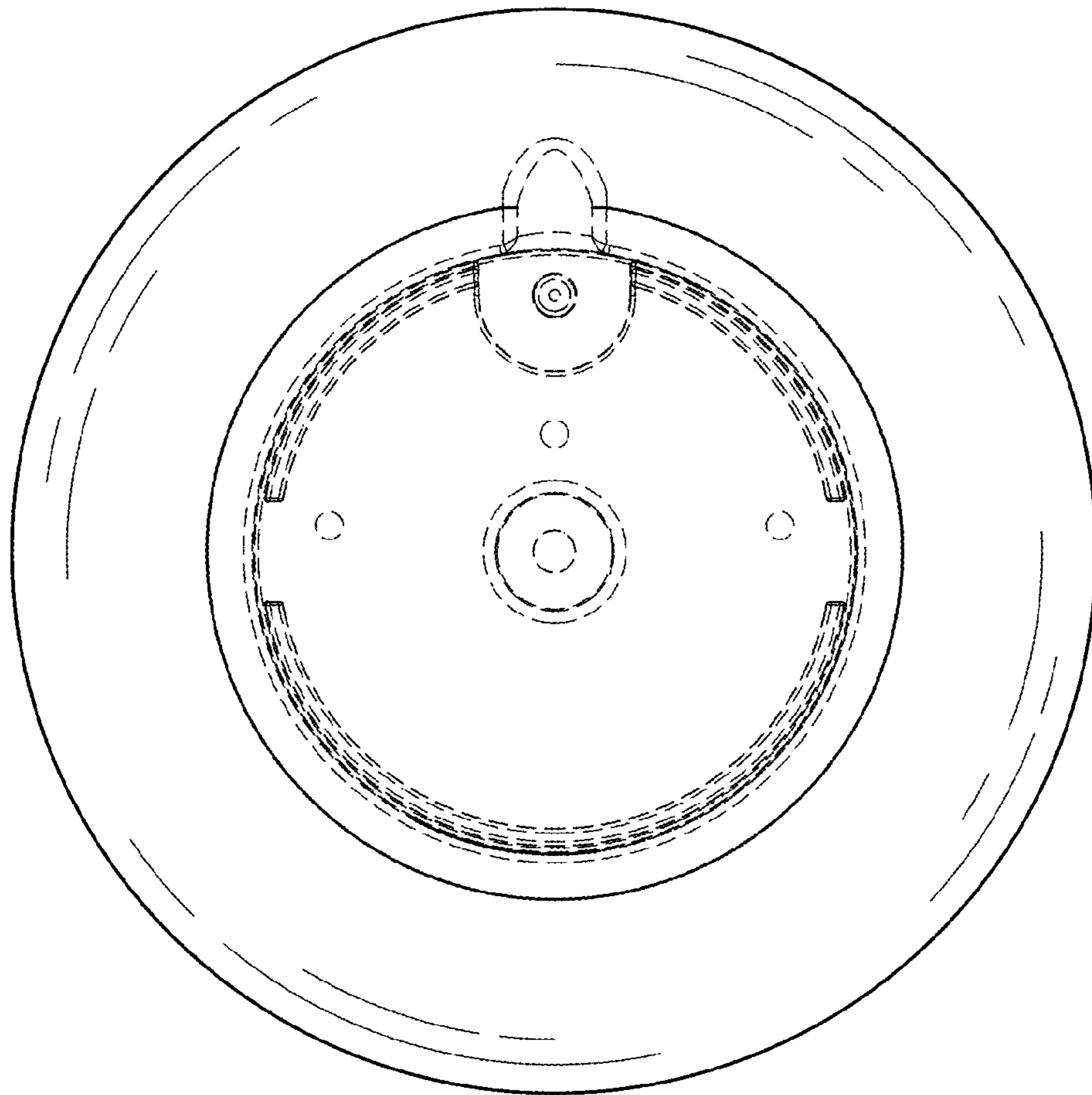


FIG. 7