



US00D698909S

(12) **United States Design Patent**
Chou

(10) **Patent No.:** **US D698,909 S**
(45) **Date of Patent:** **** Feb. 4, 2014**

- (54) **AROMA-DIFFUSING HEATING DEVICE**
- (71) Applicant: **Serene House International Enterprise Ltd.**, Road Town (VG)
- (72) Inventor: **Cheng Yen Chou**, Taipei (TW)
- (73) Assignee: **Serene House International Enterprise Ltd.**, Road Town (VG)

D319,781 S *	9/1991	Halm et al.	D32/29.1
D392,032 S *	3/1998	Zaragoza et al.	D23/369
D454,190 S *	3/2002	Trocola	D23/366
6,435,694 B1 *	8/2002	Bell et al.	362/161
D535,376 S *	1/2007	Michaels et al.	D23/366
D544,084 S *	6/2007	Michaels et al.	D23/366
D611,587 S *	3/2010	Dineen	D23/366
D611,588 S *	3/2010	Jorgensen	D23/366
D614,277 S *	4/2010	Hsiao	D23/366
D621,495 S *	8/2010	Li	D23/366
D662,581 S *	6/2012	Savegnago	D23/366

(**) Term: **14 Years**

* cited by examiner

(21) Appl. No.: **29/462,566**

Primary Examiner — Sandra Snapp

(22) Filed: **Aug. 6, 2013**

(74) *Attorney, Agent, or Firm* — Ming Chow; Sinorica, LLC

(51) **LOC (10) Cl.** **28-99**

(57) **CLAIM**

(52) **U.S. Cl.**
USPC **D23/366**

The ornamental design for an aroma-diffusing heating device, as shown and described.

(58) **Field of Classification Search**
USPC D23/355–369; D28/5, 6; 261/DIG. 17, 261/DIG. 42, DIG. 65, DIG. 88, DIG. 89; 392/386, 390, 394, 395; 239/34, 44, 239/53, 55, 56, 326; D26/14, 17, 98, 9, 22, D26/24; D11/131.1; D7/509, 522, 524, 537
See application file for complete search history.

DESCRIPTION

FIG. 1 is a perspective view of an aroma-diffusing heating device showing my new design;
FIG. 2 is a front view thereof;
FIG. 3 is a rear view thereof;
FIG. 4 is a left side view thereof;
FIG. 5 is a right side view thereof;
FIG. 6 is a top view thereof; and,
FIG. 7 is a bottom view thereof.

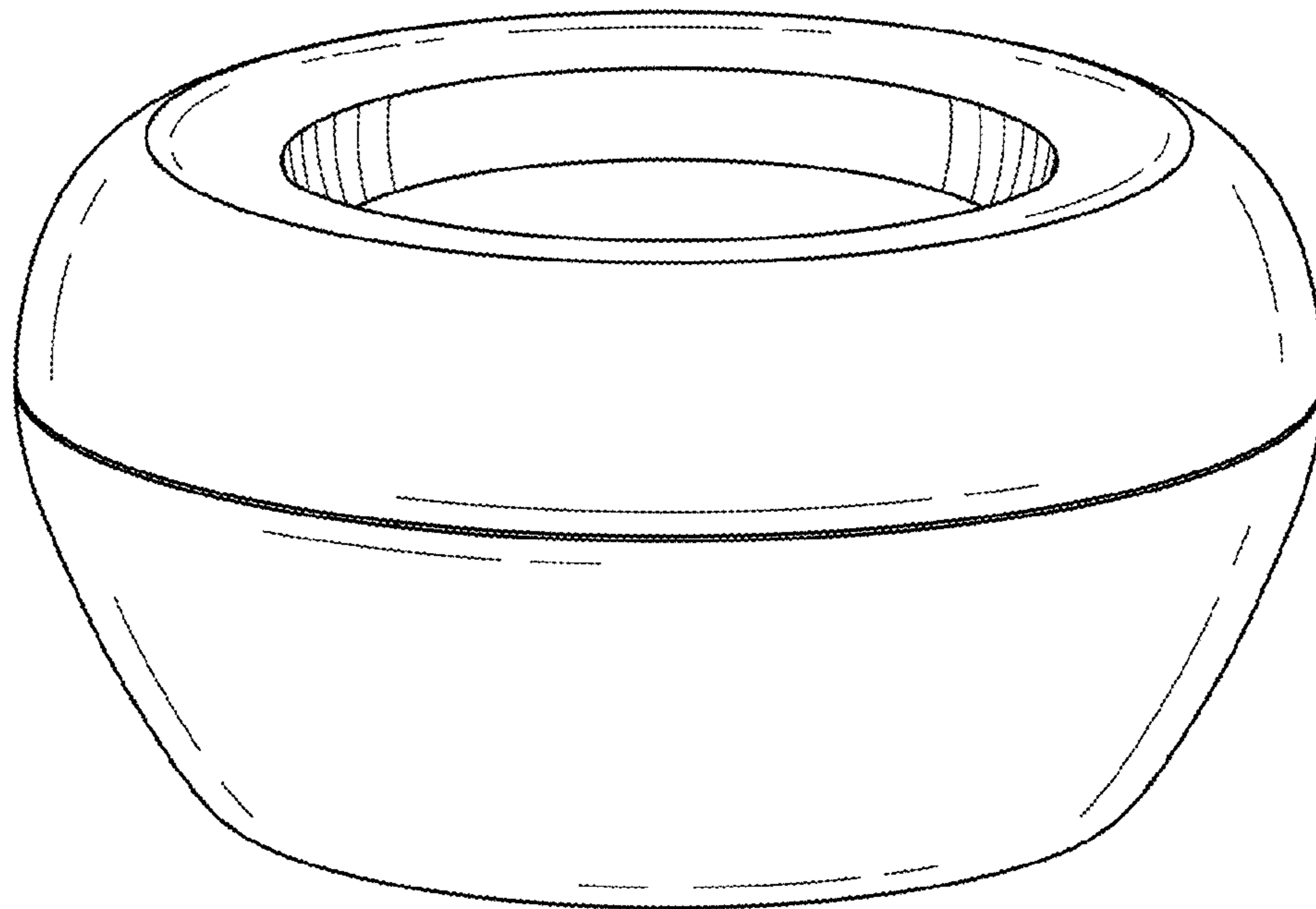
The broken lines in the drawings are for illustrative purposes only and from no part of the claimed design.

(56) **References Cited**

U.S. PATENT DOCUMENTS

D270,468 S *	9/1983	Hoyt	D23/369
D275,222 S *	8/1984	Hoyt	D23/369
D289,920 S *	5/1987	O'Neil, Jr.	D23/366

1 Claim, 7 Drawing Sheets



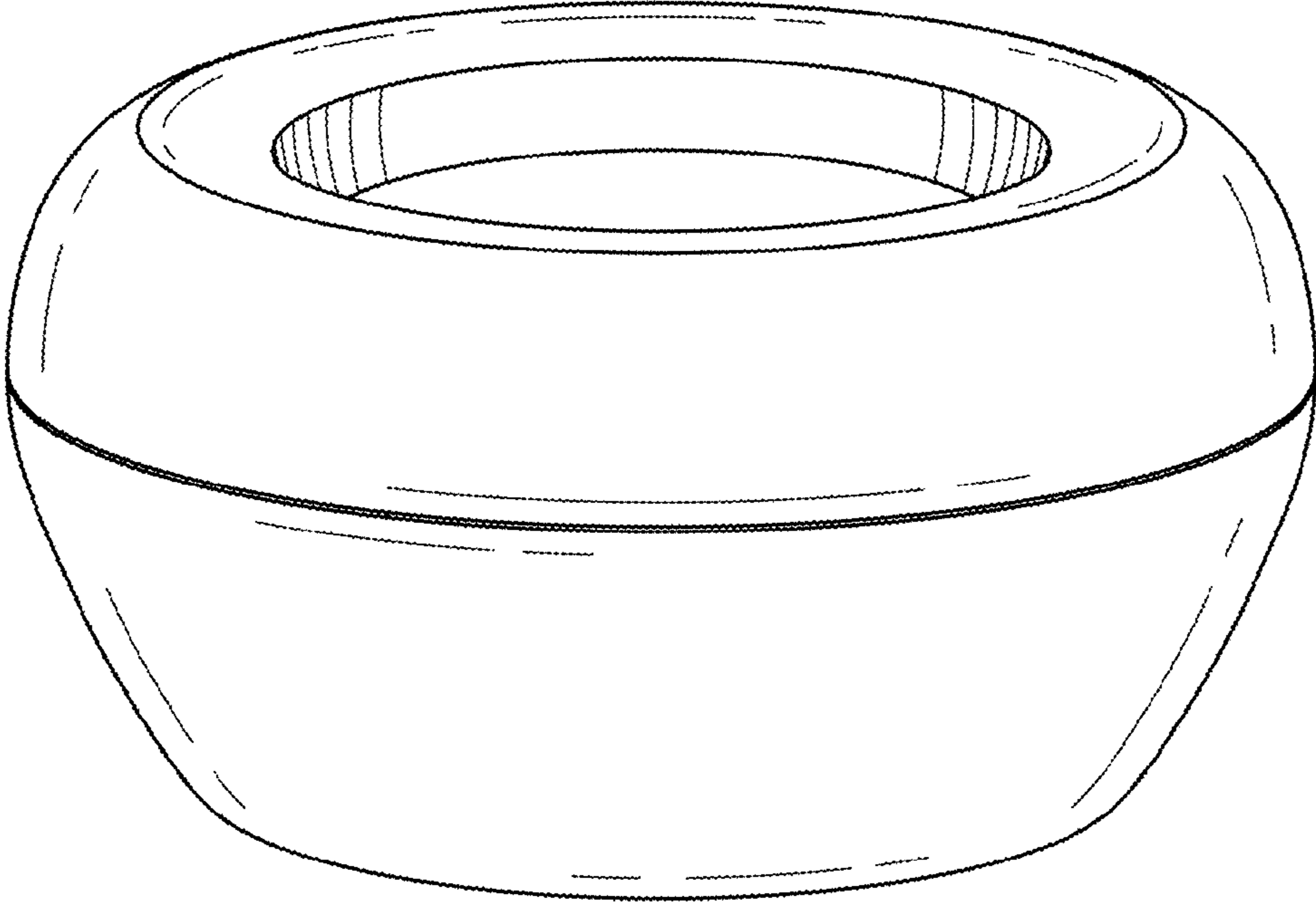


Fig. 1

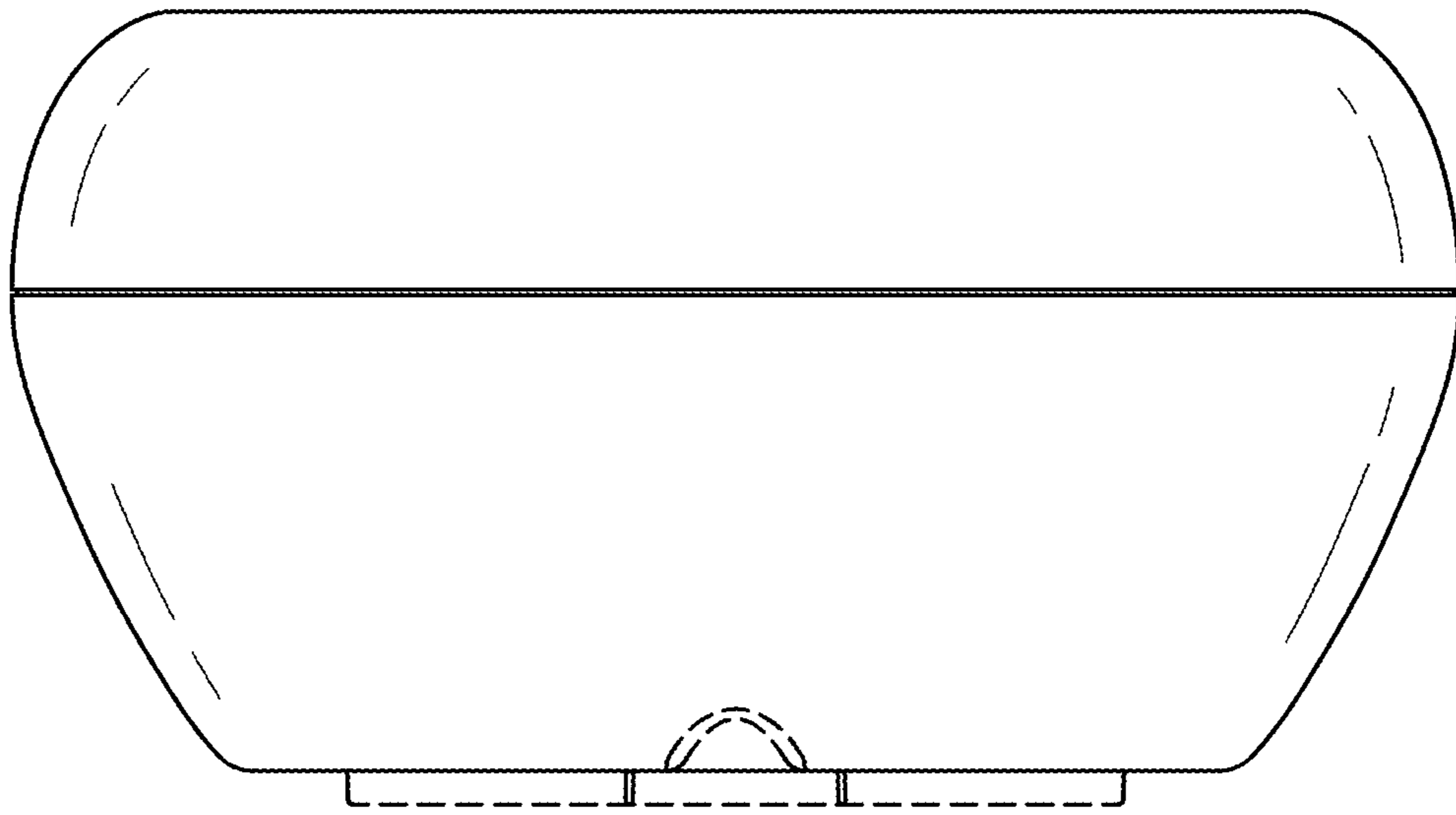


Fig. 2

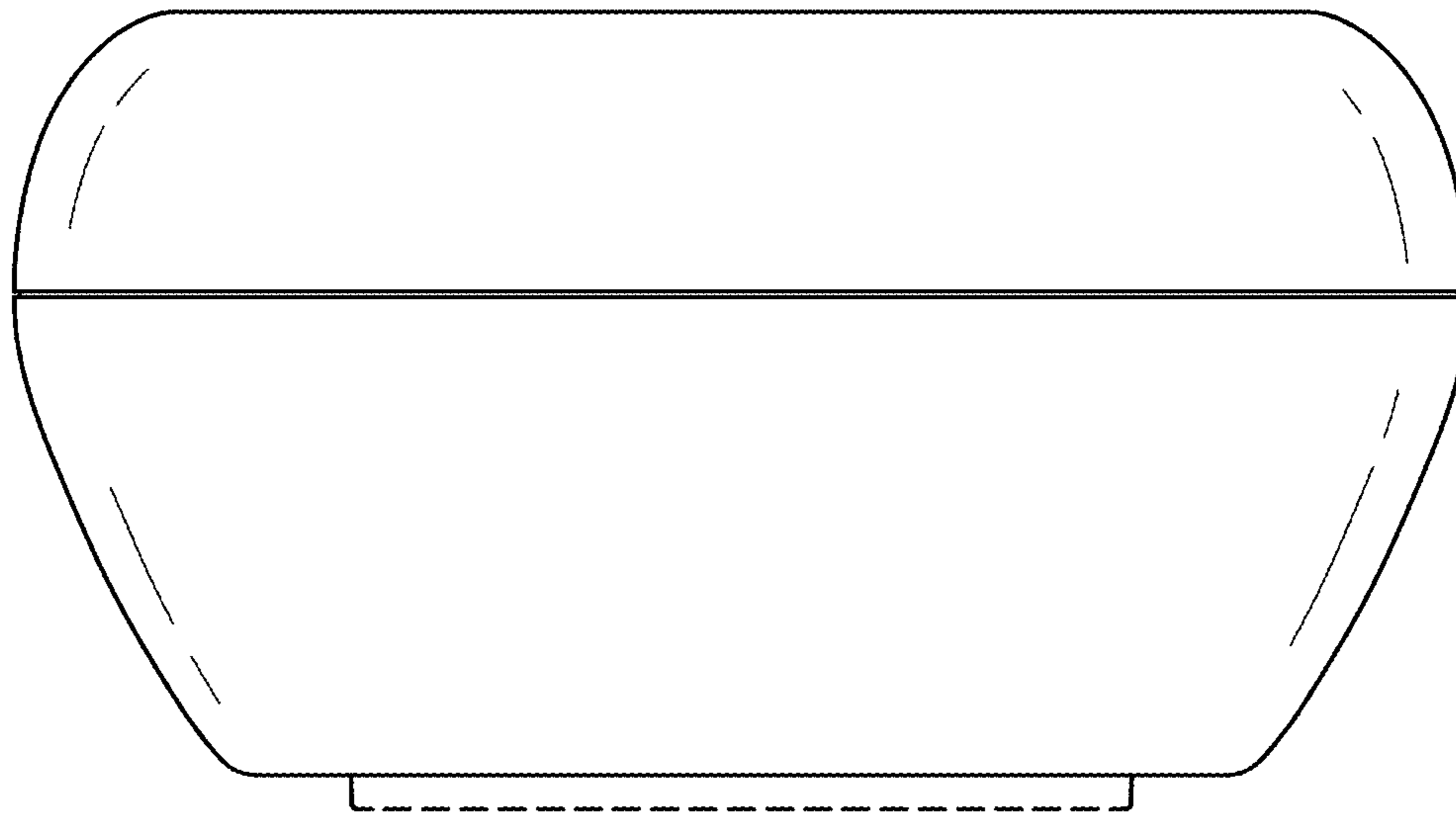


Fig. 3

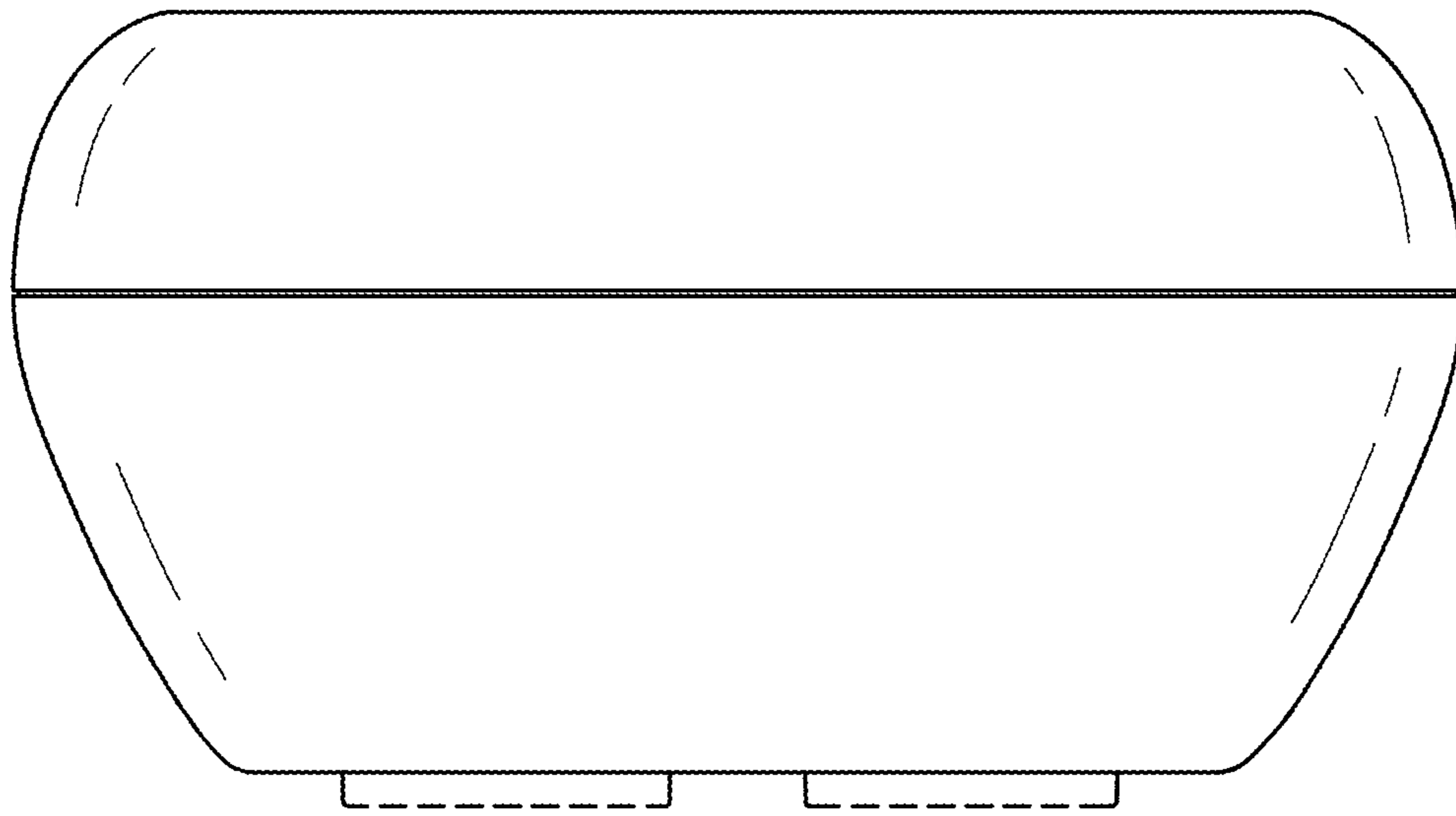


Fig. 4

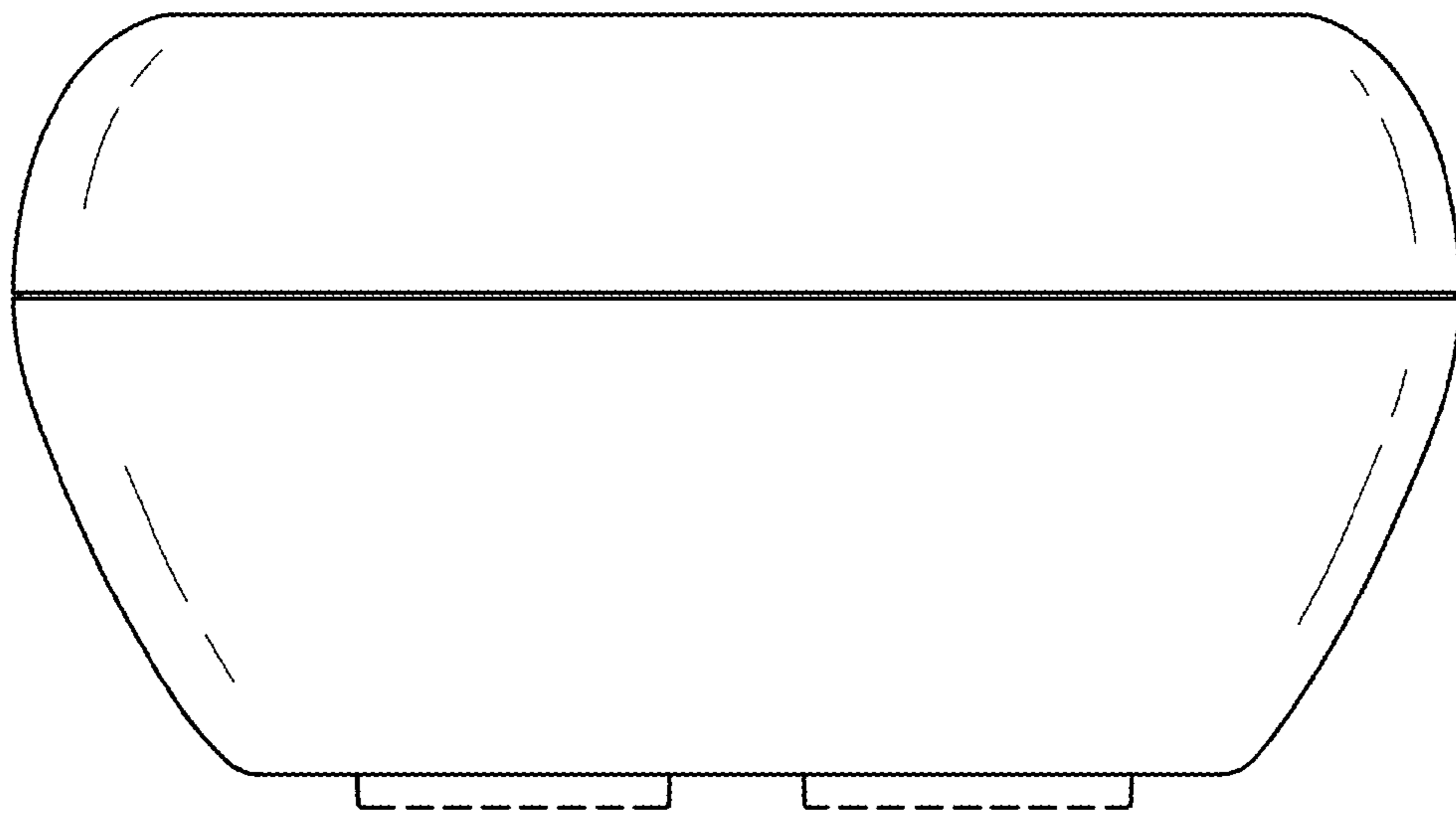


Fig. 5

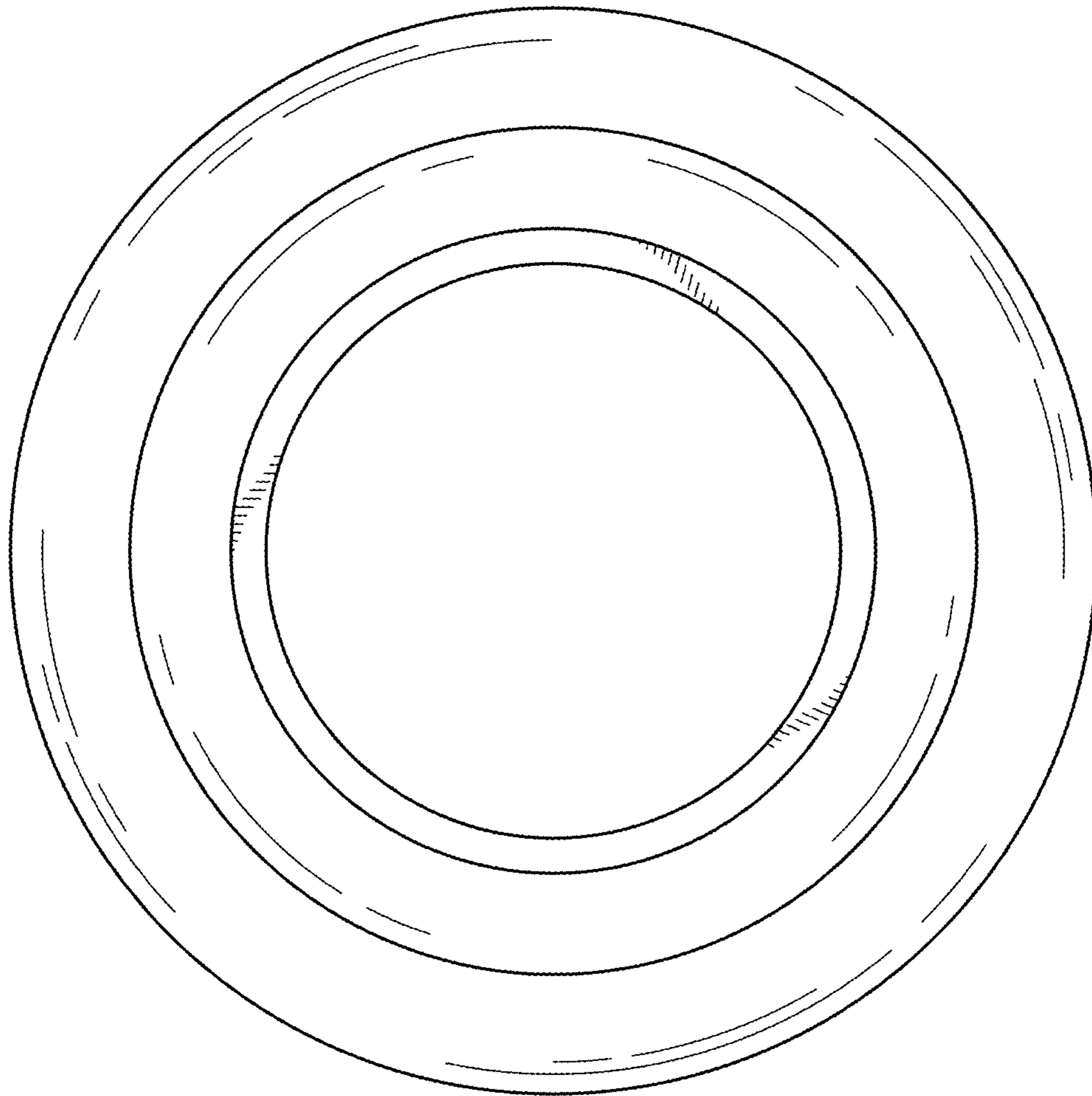


Fig. 6

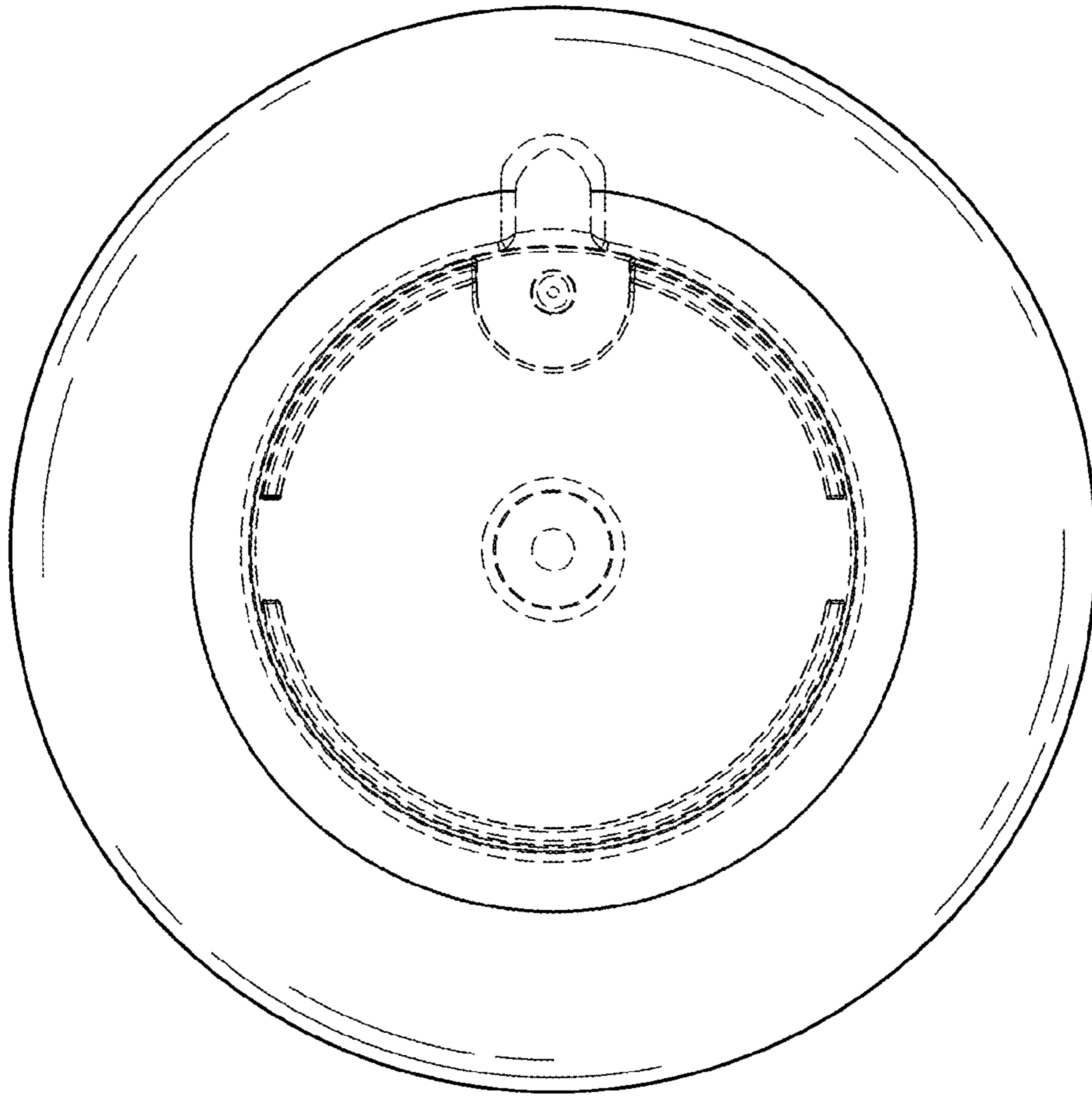


Fig. 7