



US00D698908S

(12) **United States Design Patent**
Krieger

(10) **Patent No.:** **US D698,908 S**

(45) **Date of Patent:** **** Feb. 4, 2014**

(54) **OUTDOOR FIREPLACE**

2012/0222668 A1* 9/2012 Unger 126/544

(75) Inventor: **Mike Krieger**, Ontario (CA)

* cited by examiner

(73) Assignee: **Urban Fire Corp.**, Woodbridge, Ontario (CA)

Primary Examiner — T. Chase Nelson

Assistant Examiner — Ania Aman

(**) Term: **14 Years**

(74) *Attorney, Agent, or Firm* — Fay Sharpe LLP

(21) Appl. No.: **29/411,930**

(57) **CLAIM**

The ornamental design for an outdoor fireplace, as shown and described.

(22) Filed: **Jan. 27, 2012**

(30) **Foreign Application Priority Data**

DESCRIPTION

Jul. 28, 2011 (CA) 141627

(51) **LOC (10) Cl.** **23-03**

(52) **U.S. Cl.**
USPC **D23/314**

(58) **Field of Classification Search**
USPC D23/314, 317, 332, 338, 339, 340, 342,
D23/343, 346; 26/523; 126/527, 536, 544,
126/555, 25 R, 58, 8, 512, 92 R
See application file for complete search history.

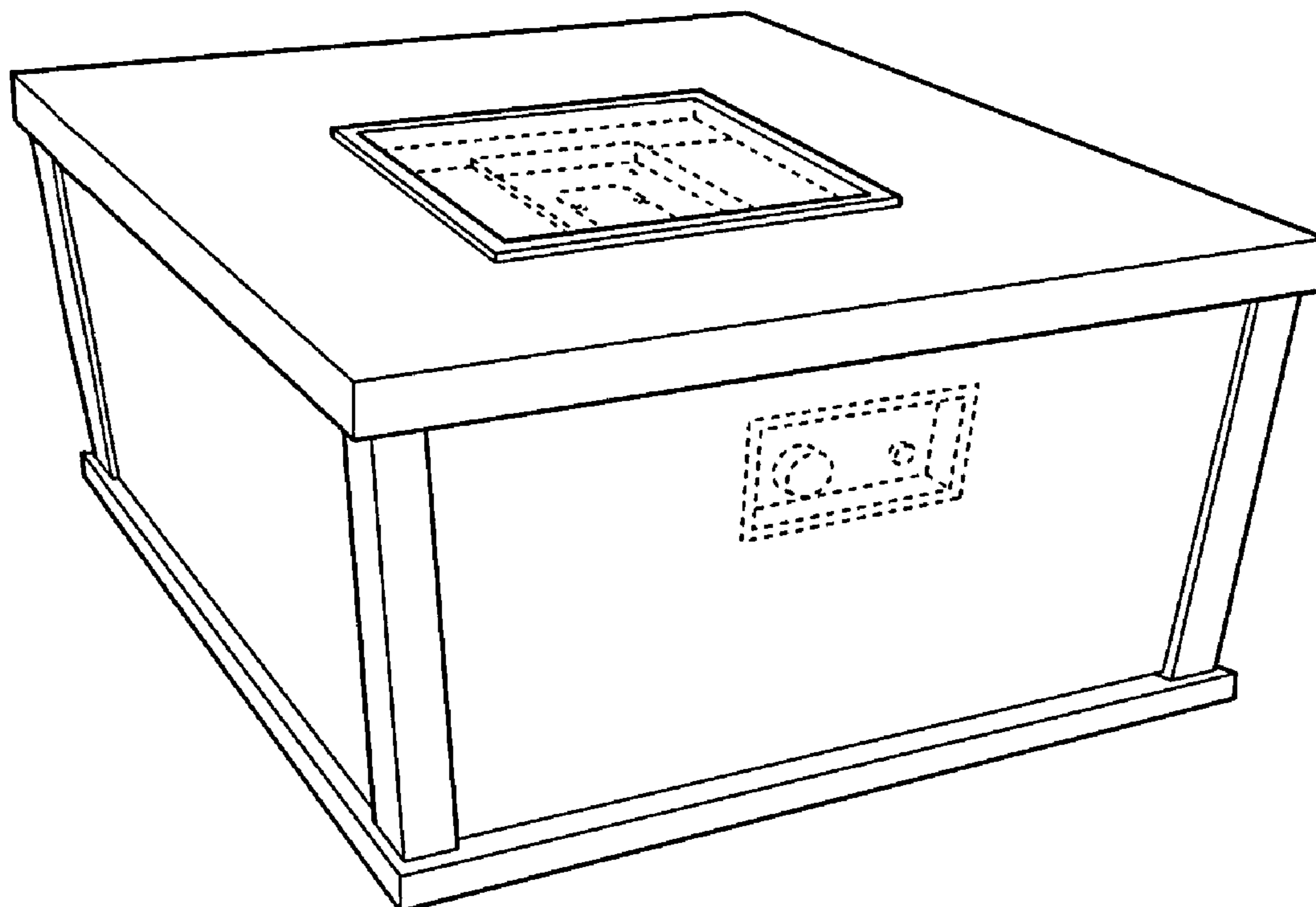
FIG. 1 is a perspective view of the outdoor fireplace;
FIG. 2 is a top view of the outdoor fireplace of FIG. 1;
FIG. 3 is a right side view of the outdoor fireplace of FIG. 1;
FIG. 4 is a front side view of the outdoor fireplace of FIG. 1;
FIG. 5 is a left side view of the outdoor fireplace of FIG. 1;
FIG. 6 is a rear side view of the outdoor fireplace of FIG. 1;
FIG. 7 is a bottom view of the outdoor fireplace of FIG. 1;
FIG. 8 is a perspective view of the outdoor fireplace of FIG. 1,
with broken lines representing the environment;
FIG. 9 is a perspective view of the variant of the outdoor
fireplace of FIG. 1; and,
FIG. 10 is a top view of the outdoor fireplace of FIG. 9.
The broken lines in the Figures are for illustrative purposes
only and form no part of the design.

(56) **References Cited**

U.S. PATENT DOCUMENTS

D513,796 S * 1/2006 Borowske et al. D23/343
D580,209 S * 11/2008 Chiang D7/332
2009/0107483 A1* 4/2009 Fitzgerald et al. 126/519

1 Claim, 4 Drawing Sheets



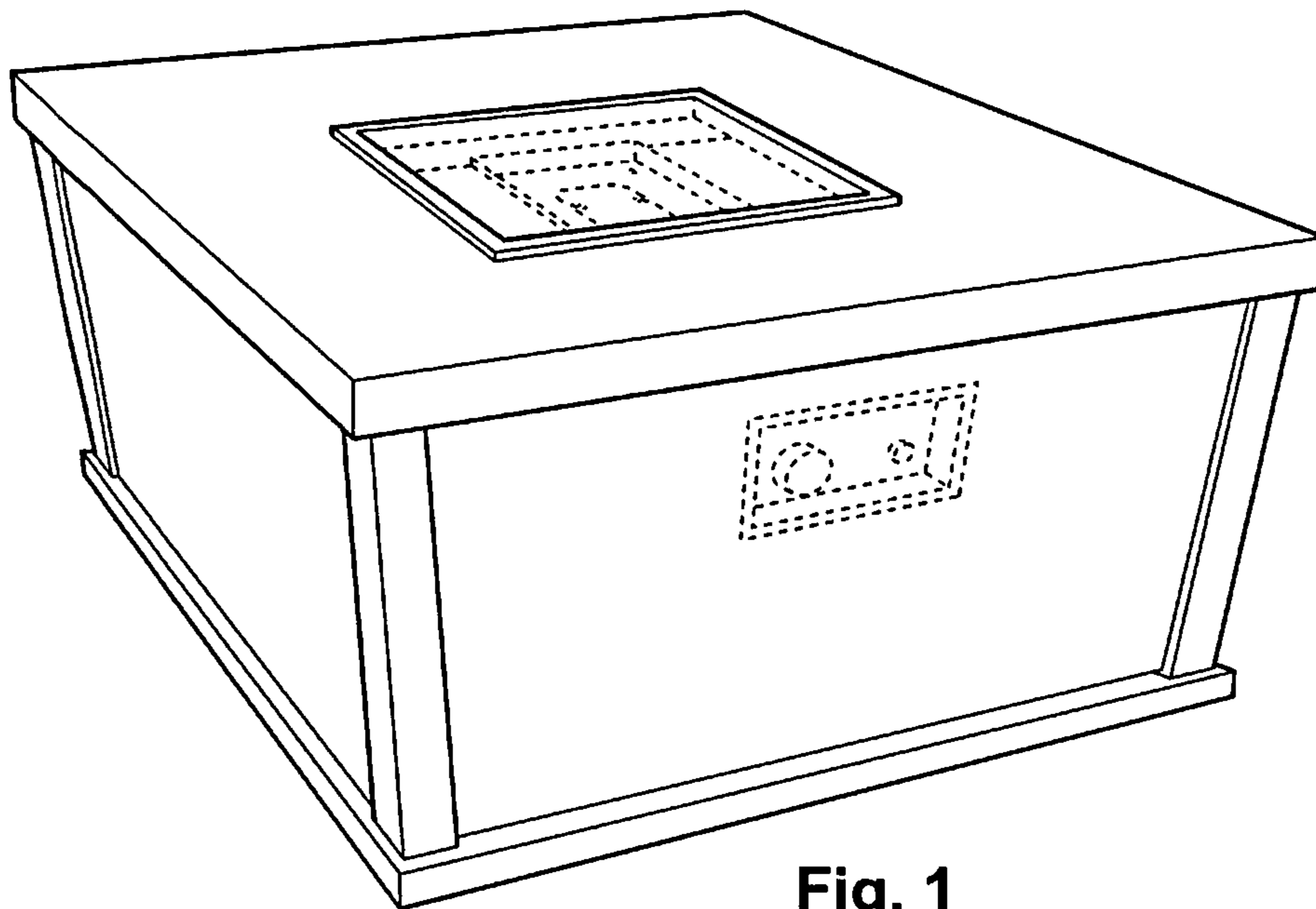


Fig. 1

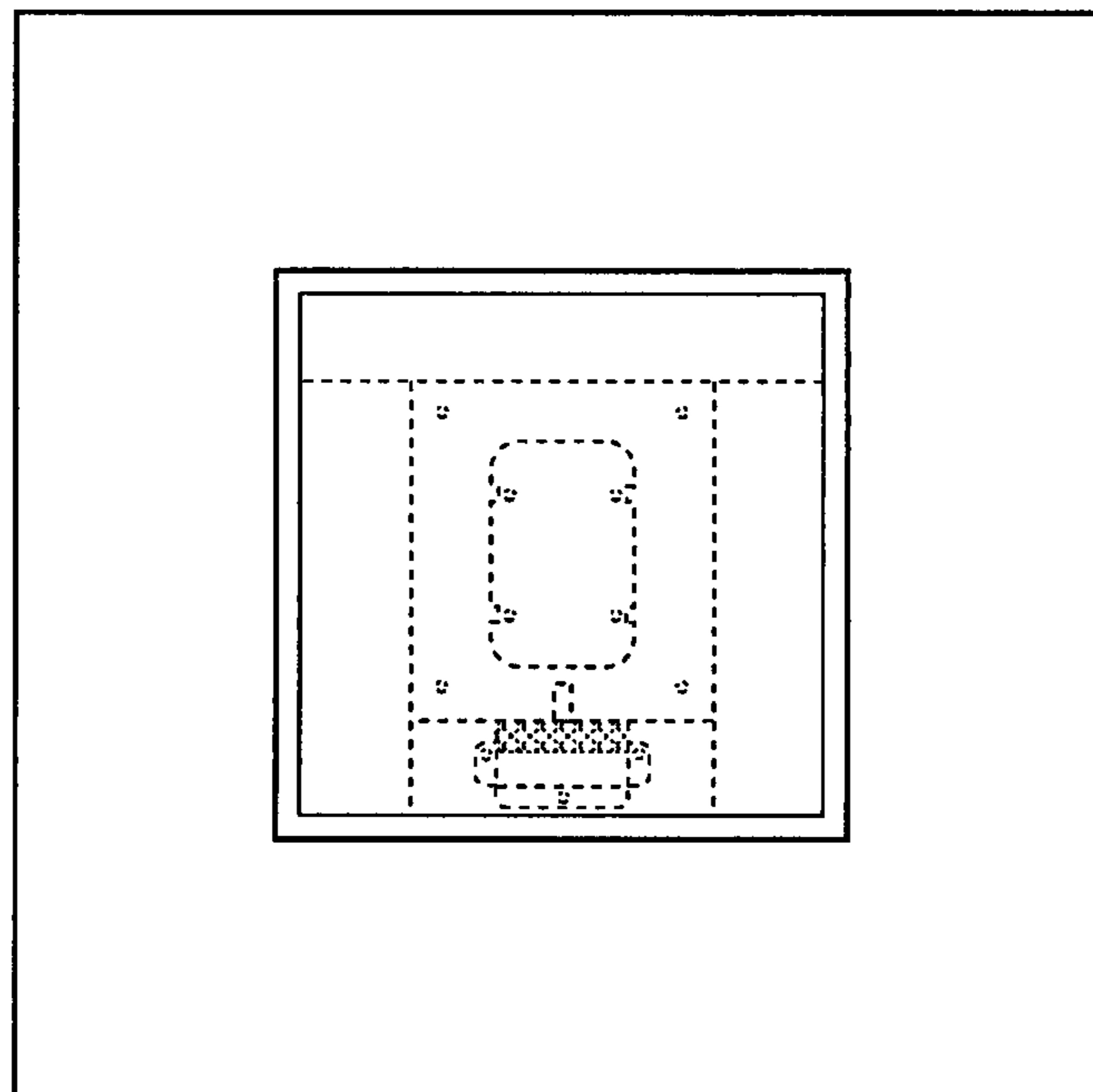


Fig. 2

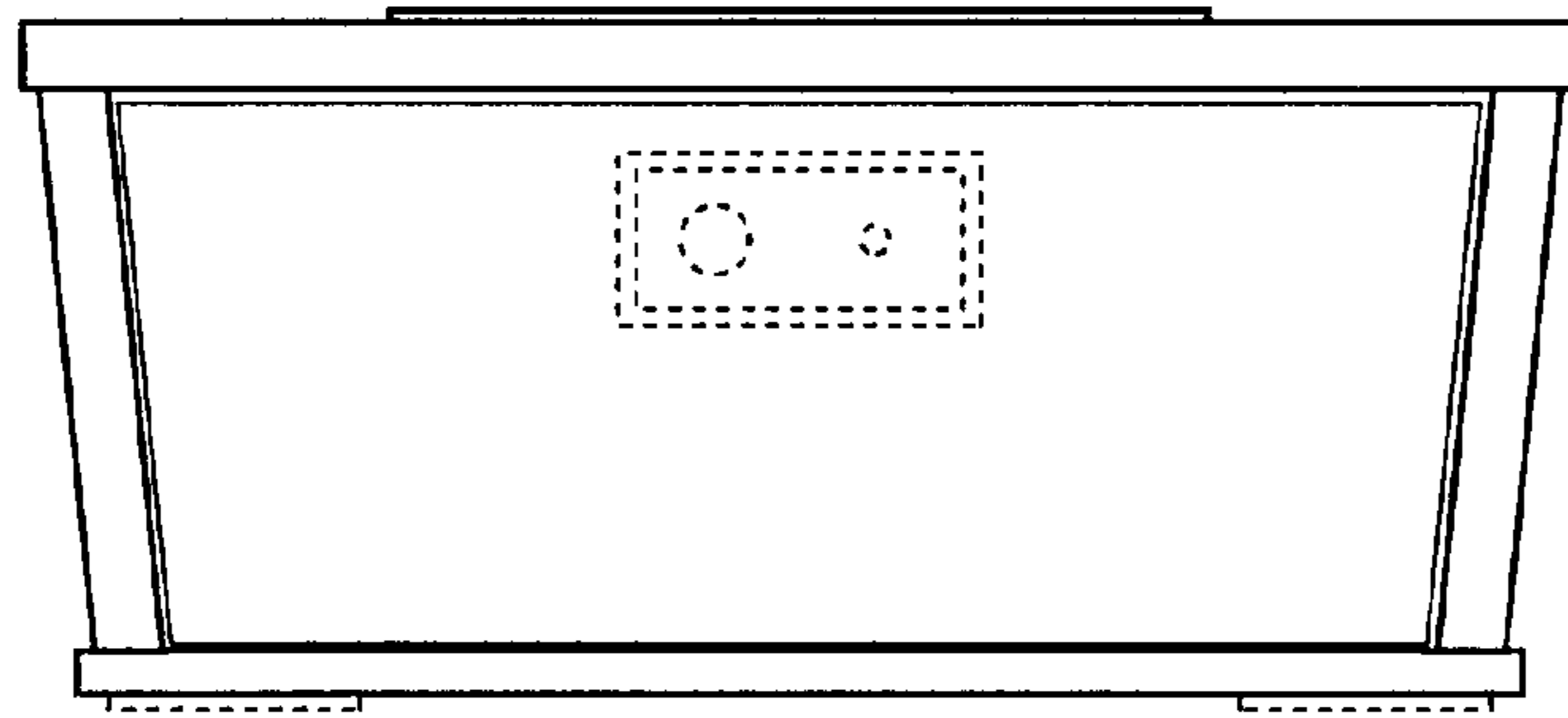


Fig. 3

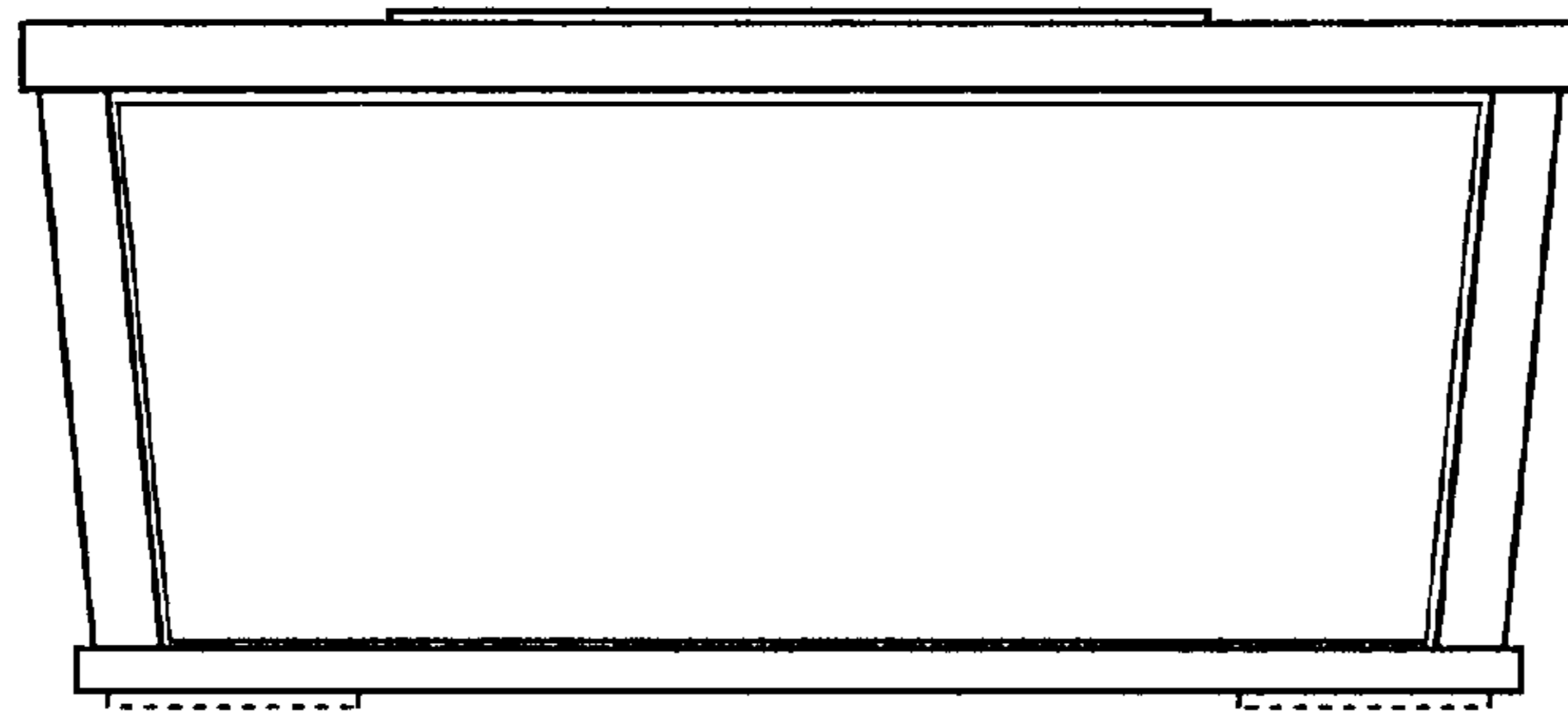


Fig. 4

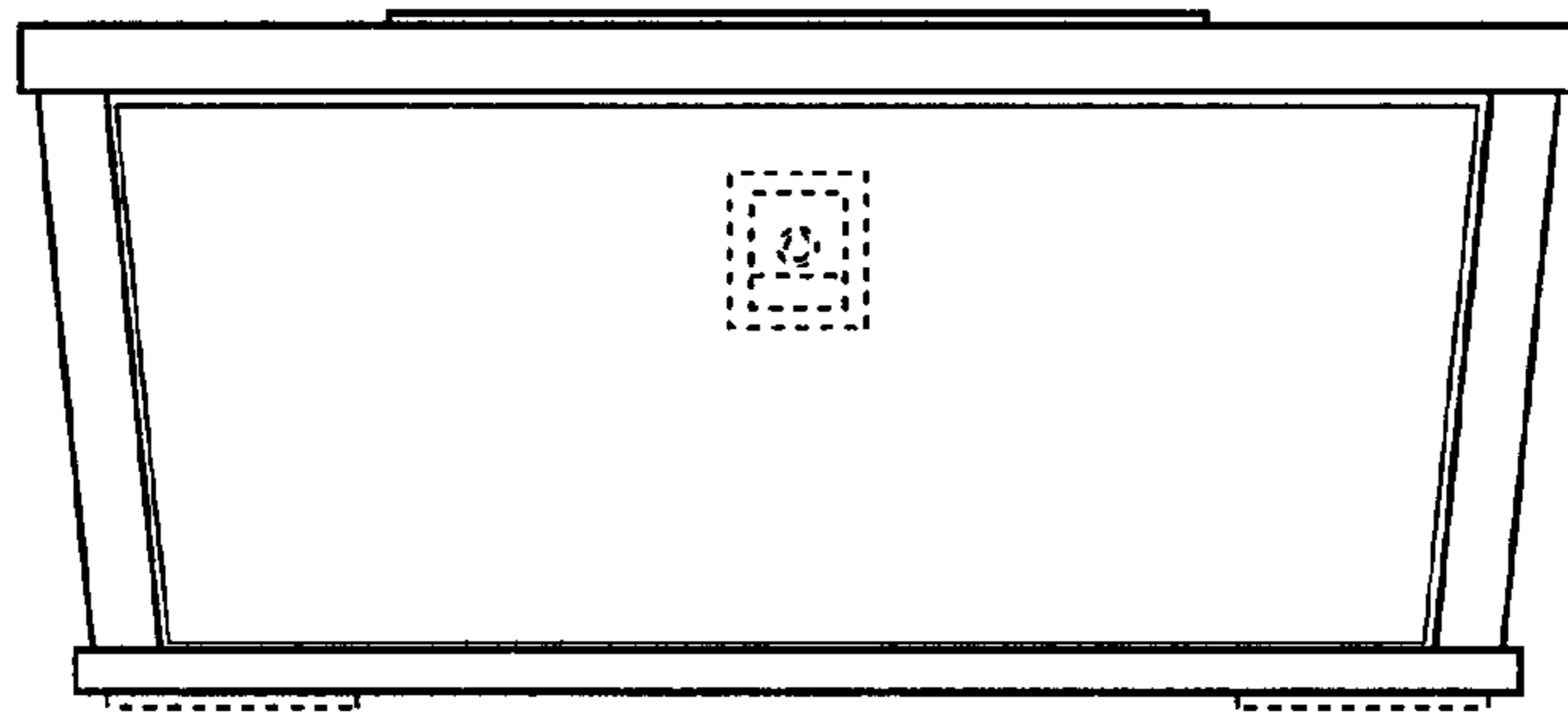


Fig. 5

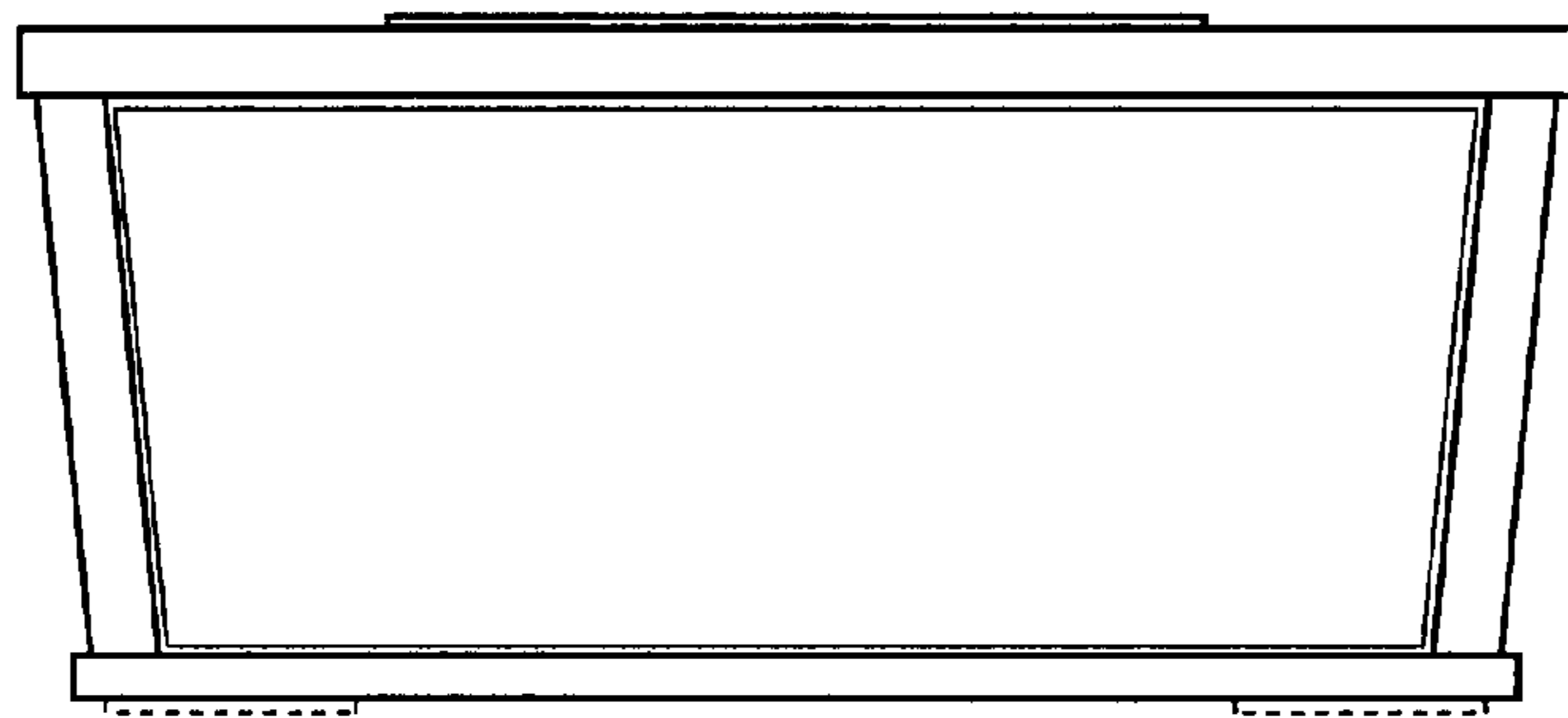


Fig. 6

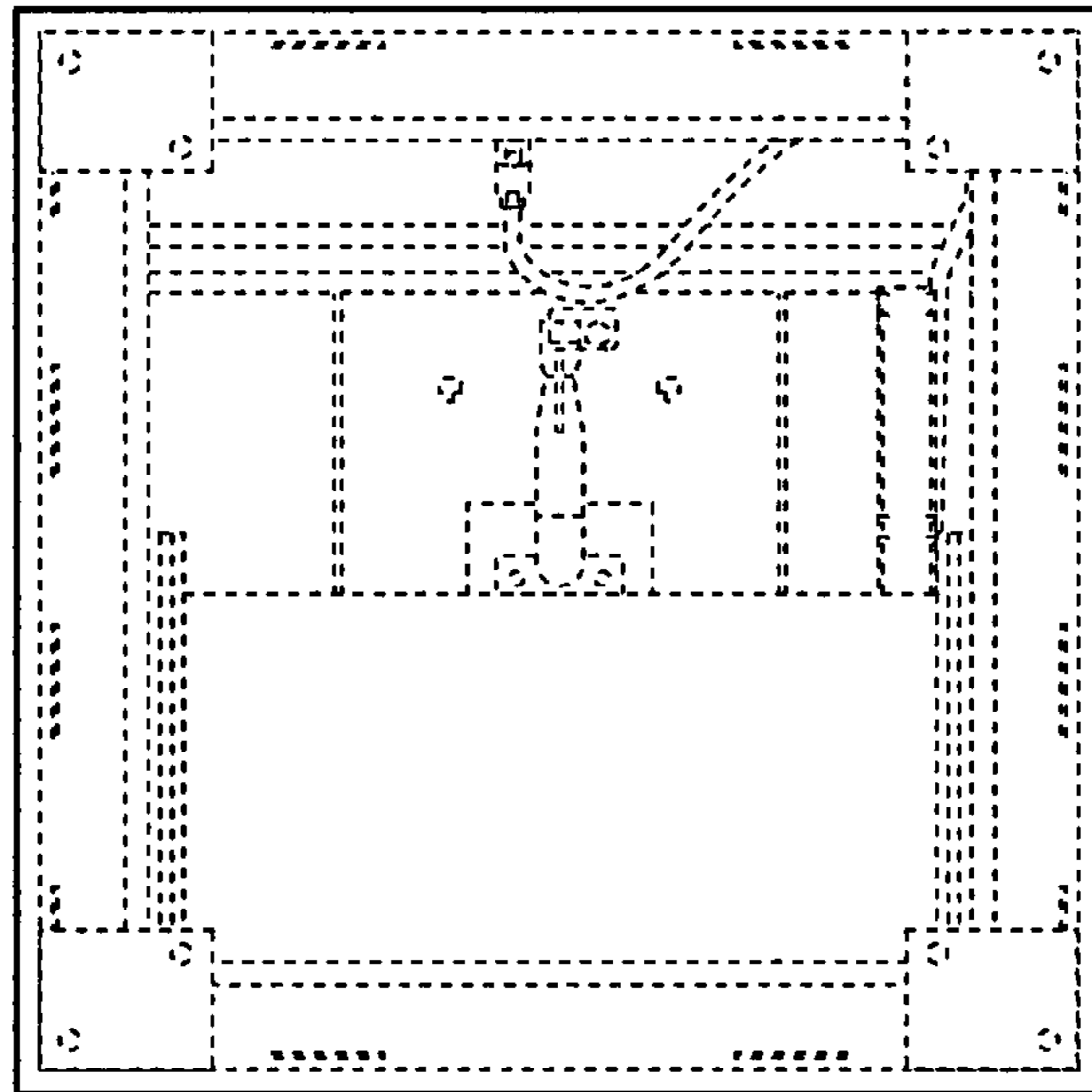


Fig. 7

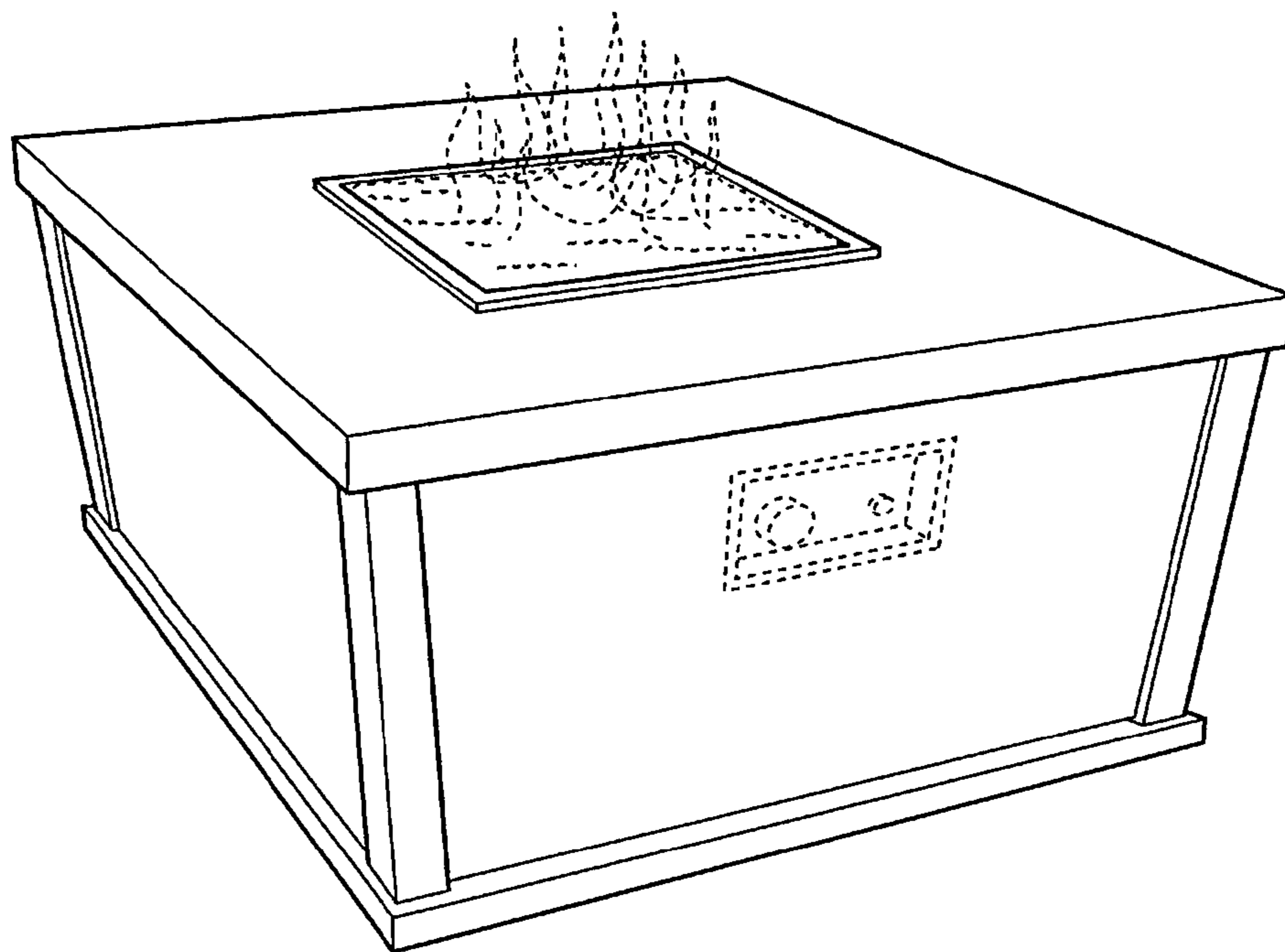


Fig. 8

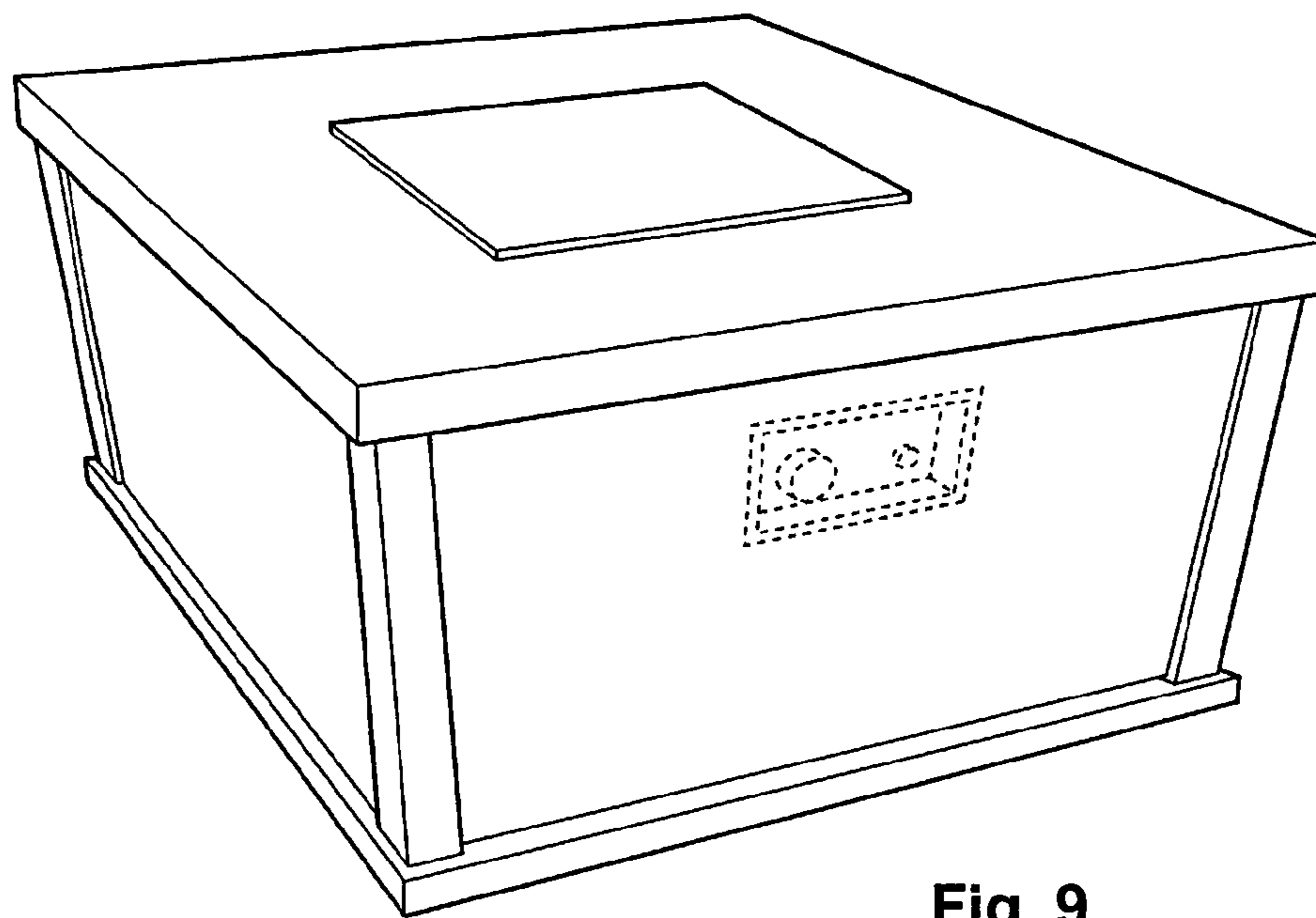


Fig. 9

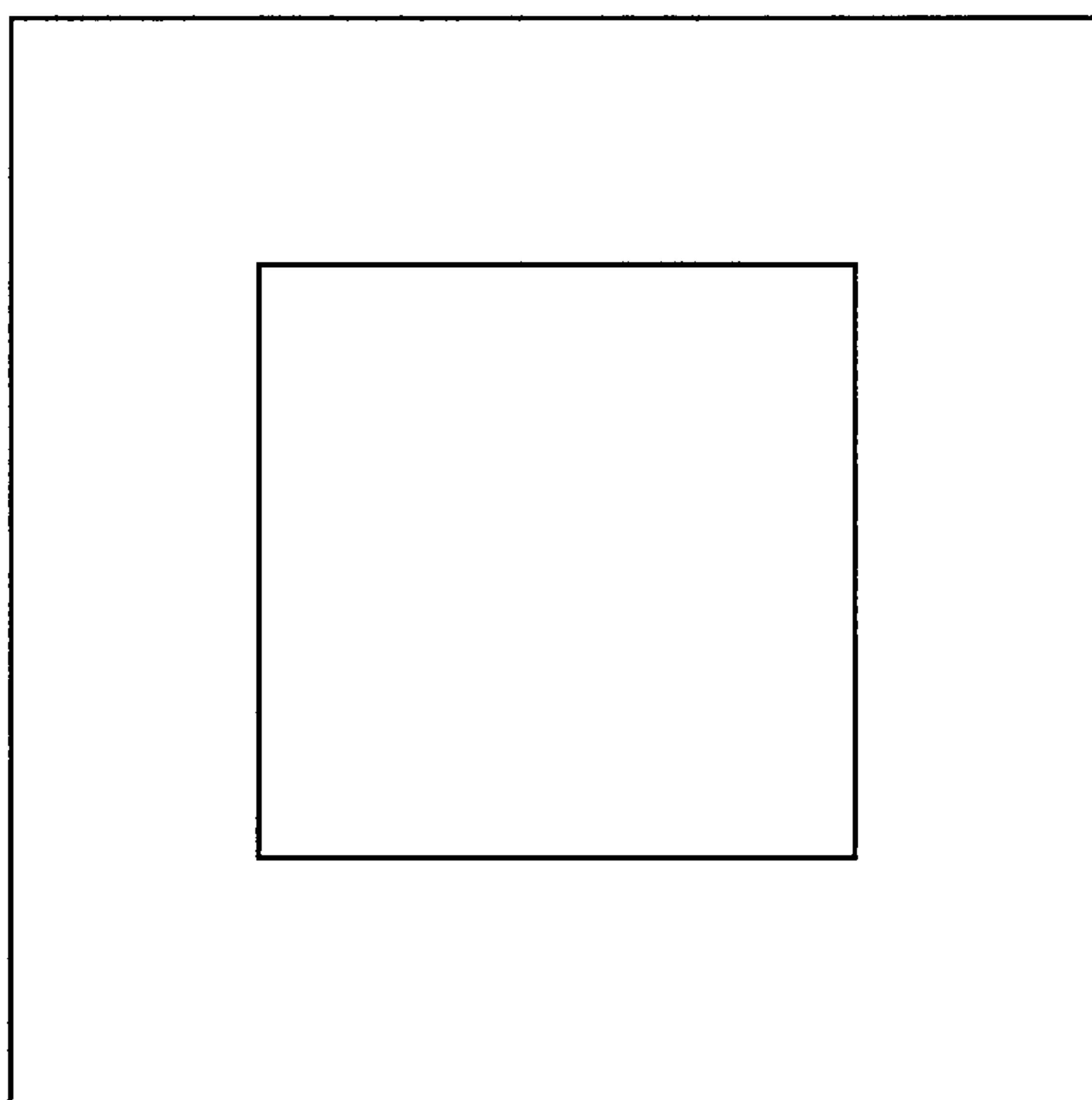


Fig. 10